



US00D914525S

(12) **United States Design Patent**  
**Vetter et al.**

(10) **Patent No.:** **US D914,525 S**

(45) **Date of Patent:** **\*\* Mar. 30, 2021**

(54) **REMOTE FOR A DISPLAY AND OPERATING DEVICE**

(71) Applicant: **Robert Bosch GmbH**, Stuttgart (DE)

(72) Inventors: **Michael Vetter**, Heimsheim (DE);  
**Matthias Brumbach**, Filderstadt (DE)

(73) Assignee: **Robert Bosch GmbH**, Stuttgart (DE)

(\*\*) Term: **15 Years**

(21) Appl. No.: **29/714,701**

(22) Filed: **Nov. 25, 2019**

(30) **Foreign Application Priority Data**

May 28, 2019 (EM) ..... 006531620

(51) **LOC (13) Cl.** ..... **10-04**

(52) **U.S. Cl.**  
USPC ..... **D10/98; D13/168**

(58) **Field of Classification Search**  
USPC ..... D10/70, 98, 103; D13/168  
CPC ..... B62K 21/12; B62K 21/125; B62K 21/16;  
B62K 23/02; B62K 23/04; B62K 23/06;  
B62K 11/14; B62M 25/02; B62M 25/08;  
B62J 99/00; G01C 22/002  
See application file for complete search history.

(56) **References Cited**

**U.S. PATENT DOCUMENTS**

- 5,900,705 A \* 5/1999 Kimura ..... B62H 5/08  
180/221
- 6,523,772 B2 \* 2/2003 Ueno ..... B62M 25/02  
191/12 R
- D711,756 S \* 8/2014 Dasbach ..... D10/98
- D725,610 S \* 3/2015 Dasbach ..... D13/168
- D739,385 S \* 9/2015 James ..... D14/218
- D842,149 S \* 3/2019 Haag ..... D10/98
- D842,737 S \* 3/2019 Haag ..... D10/98

- D843,867 S \* 3/2019 Haag ..... D10/98
- 10,259,520 B2 \* 4/2019 Butora ..... B62K 25/10
- D877,636 S \* 3/2020 Haag ..... D10/98
- D877,637 S \* 3/2020 Haag ..... D10/98
- D885,222 S \* 5/2020 Haag ..... D10/98
- 10,780,940 B2 \* 9/2020 Kakinoki ..... B62M 25/08
- 2003/0234163 A1 \* 12/2003 Ichida ..... H01H 21/50  
200/4

(Continued)

*Primary Examiner* — Selina Sikder

(74) *Attorney, Agent, or Firm* — Maginot, Moore & Beck LLP

(57) **CLAIM**

The ornamental design for a remote for a display and operating device, as shown and described.

**DESCRIPTION**

Cross reference is made to copending U.S. design patent application Ser. No. 29/714,704 entitled “Remote for a Display and Operating Device” by Vetter et al., which was filed on even date herewith.

FIG. 1 is a perspective view of a remote for a display and operating device showing our new design;

FIG. 2 is a front side elevational view of the remote for a display and operating device of FIG. 1;

FIG. 3 is a rear side elevational view of the remote for a display and operating device of FIG. 1;

FIG. 4 is a right side elevational view of the remote for a display and operating device of FIG. 1;

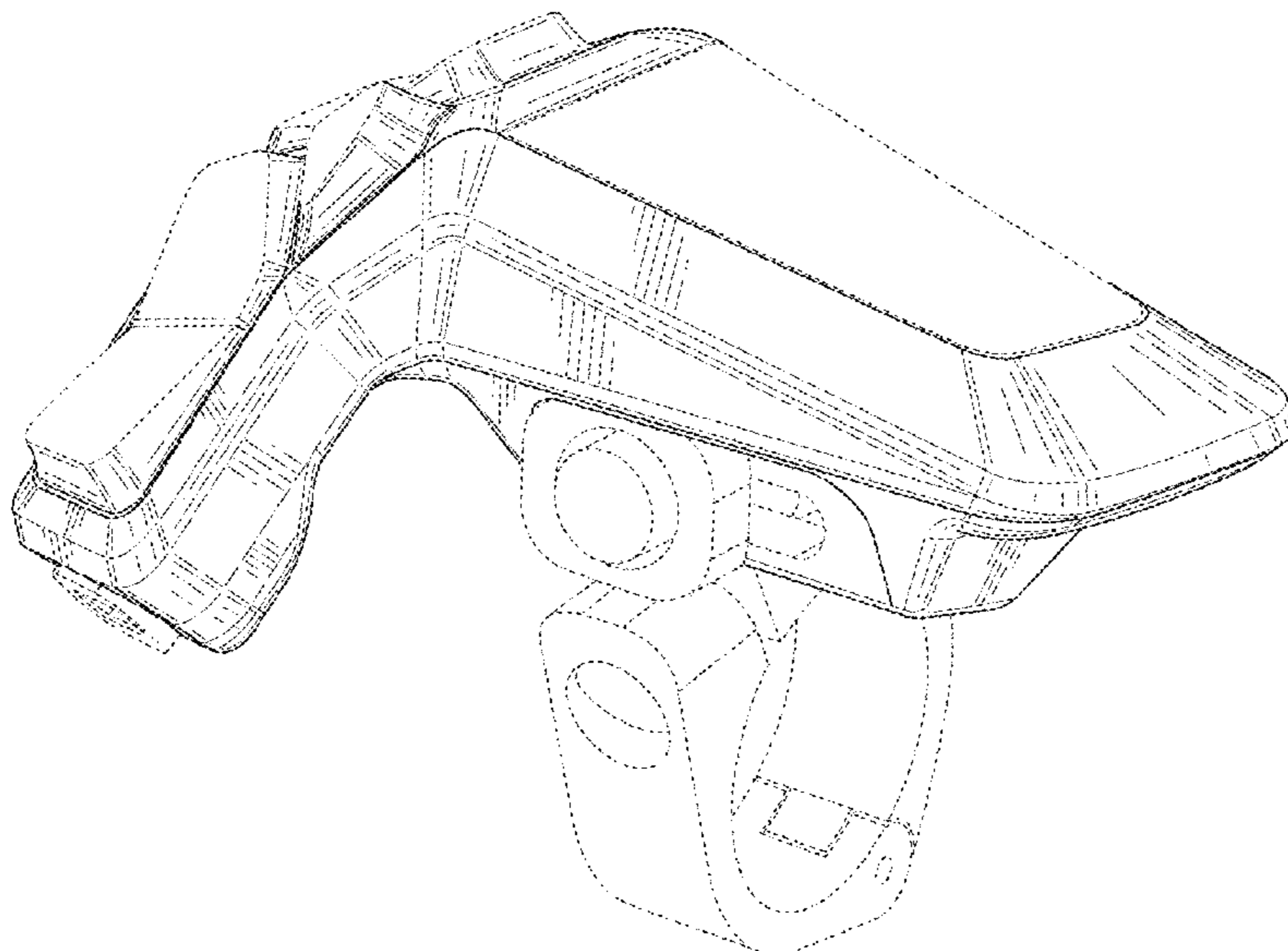
FIG. 5 is a left side elevational view of the remote for a display and operating device of FIG. 1;

FIG. 6 is a top plan view of the remote for a display and operating device of FIG. 1; and,

FIG. 7 is a bottom plan view of the remote for a display and operating device of FIG. 1.

The broken lines shown in the drawings illustrate portions of the remote for a display and operating device that form no part of the claimed design.

**1 Claim, 7 Drawing Sheets**



(56)

**References Cited**

U.S. PATENT DOCUMENTS

2014/0139977 A1\* 5/2014 Kosaka ..... B62K 23/06  
361/679.01  
2016/0195933 A1\* 7/2016 Yang ..... G06F 3/015  
345/156  
2018/0203488 A1\* 7/2018 Hawkins, III ..... G06F 1/1632

\* cited by examiner

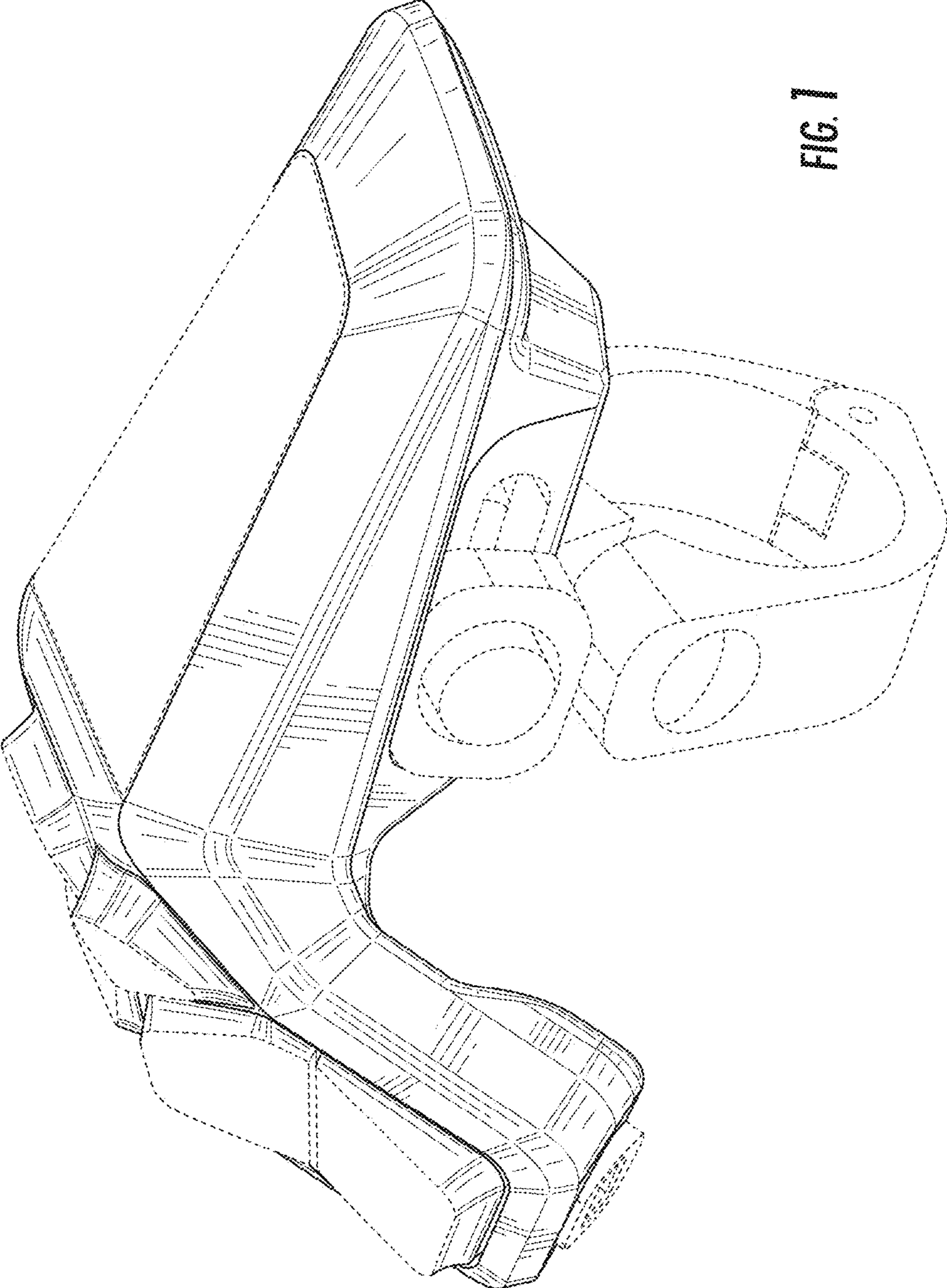


FIG. 1

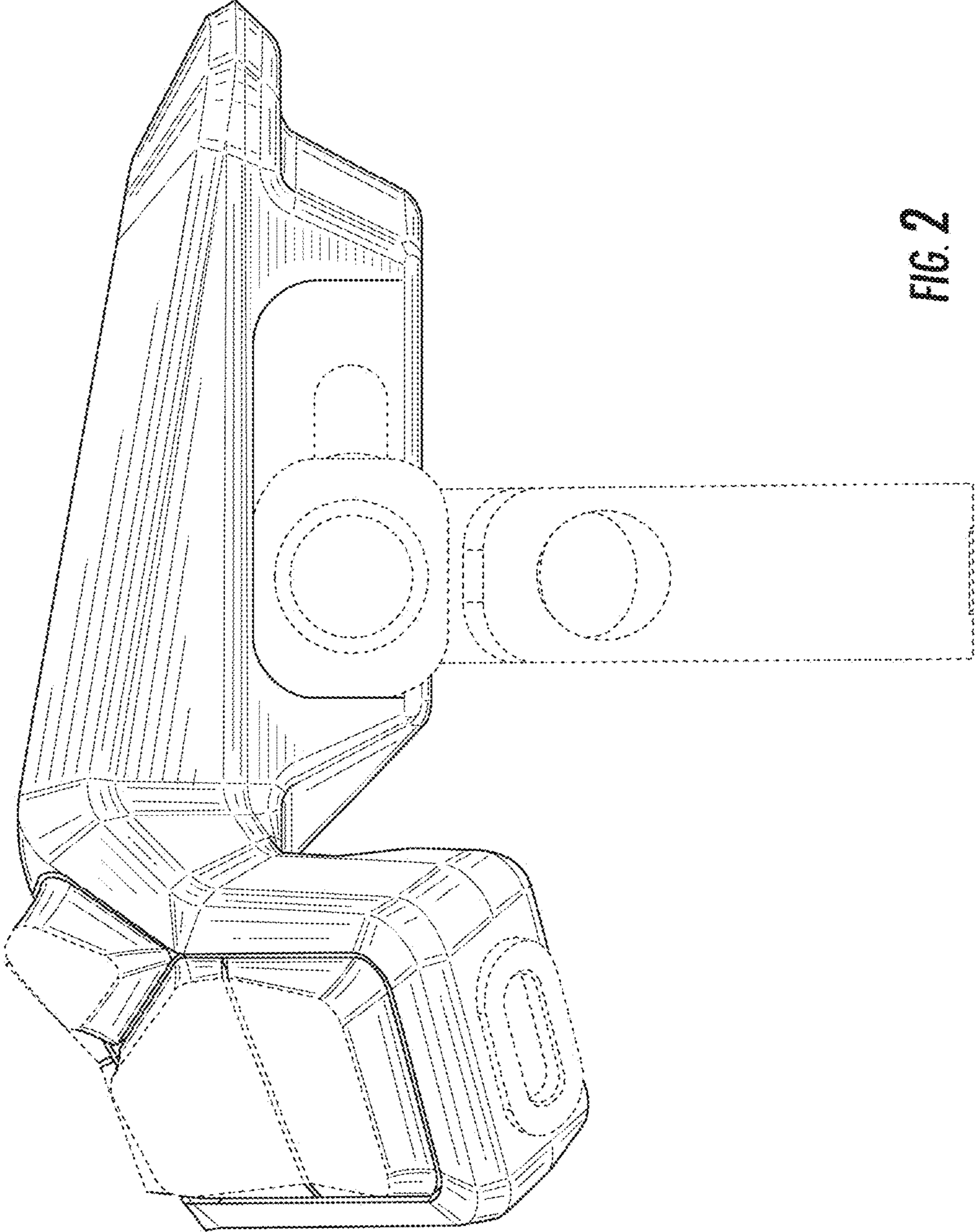


FIG. 2

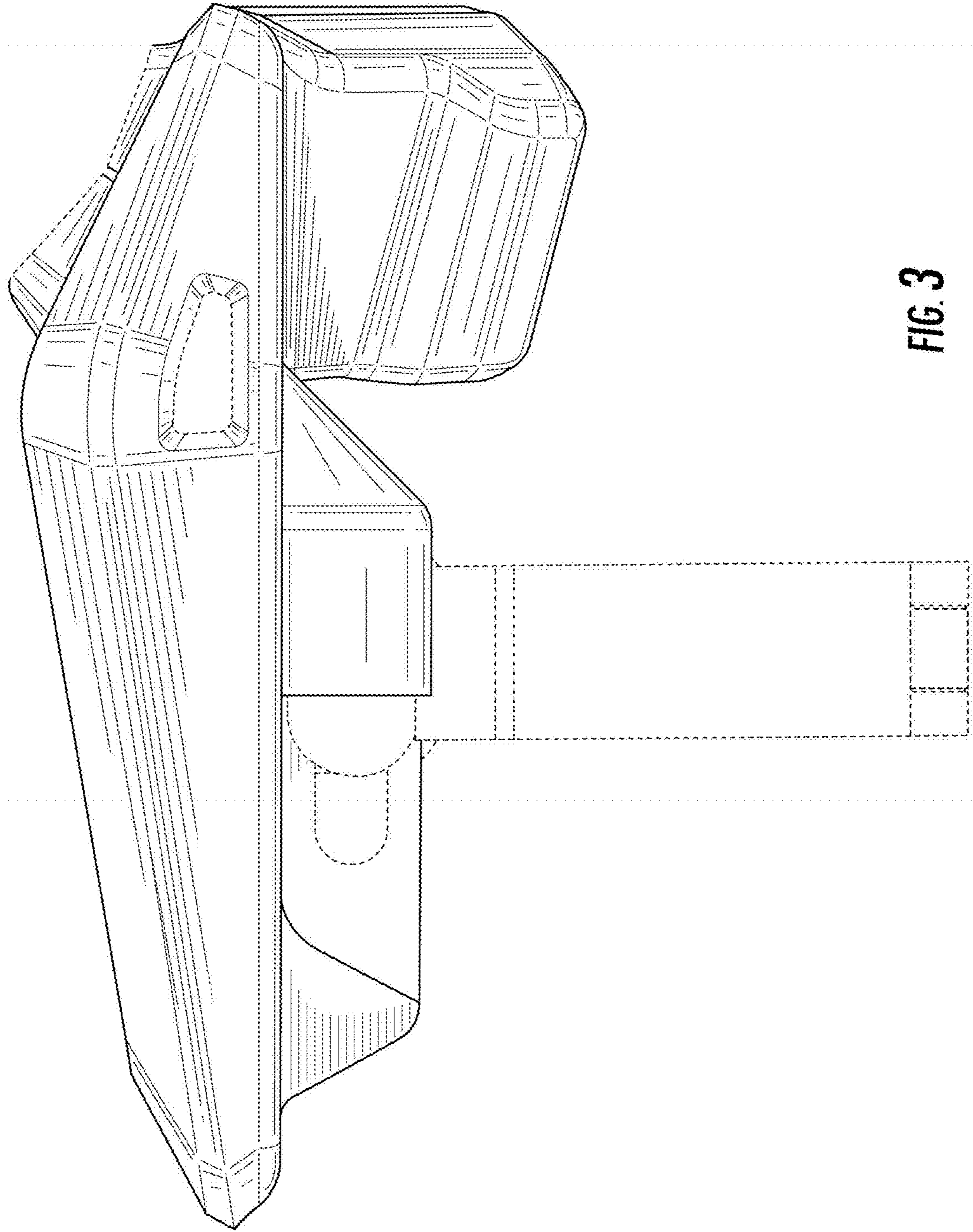


FIG. 3

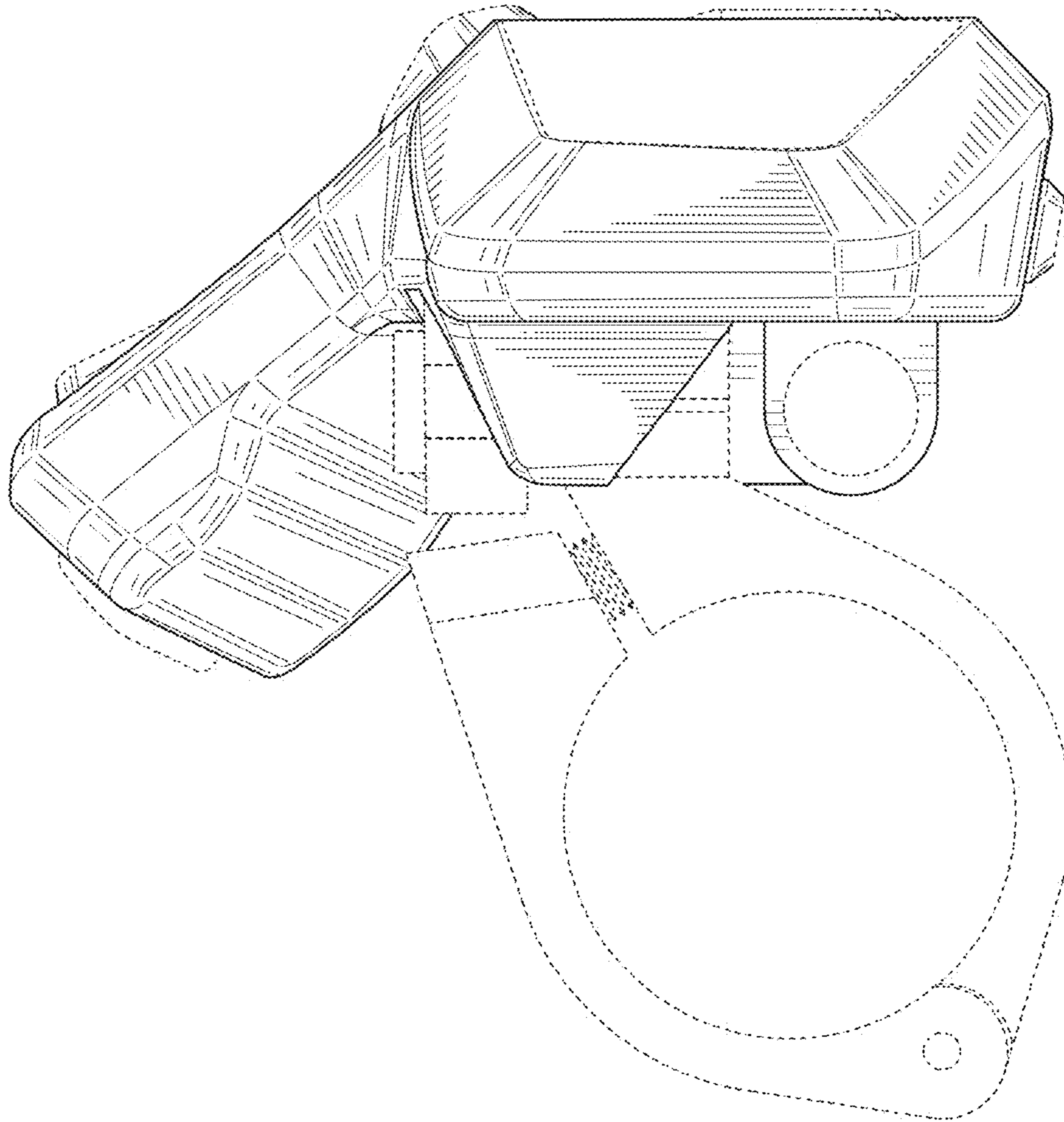


FIG. 4

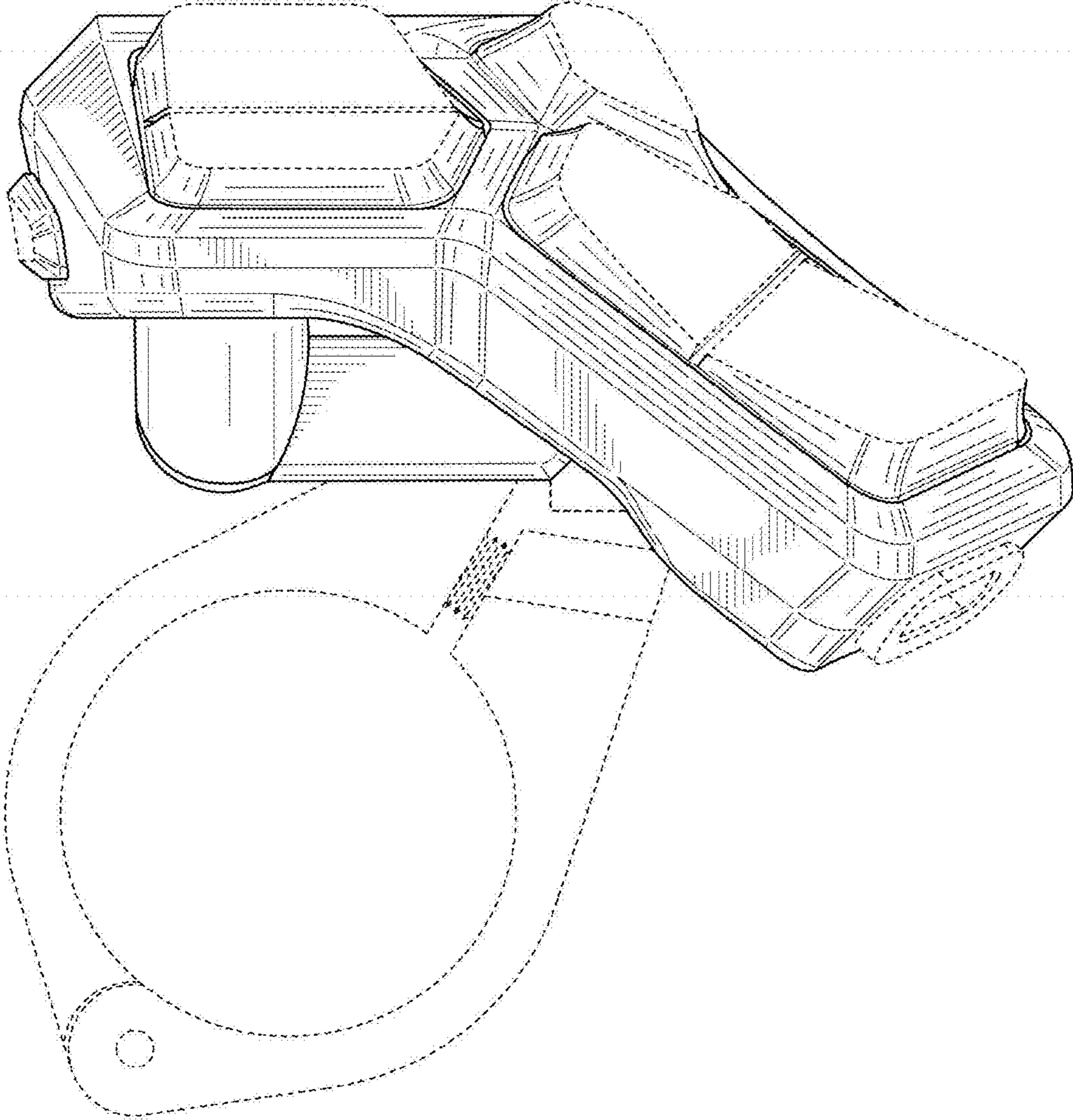


FIG. 5

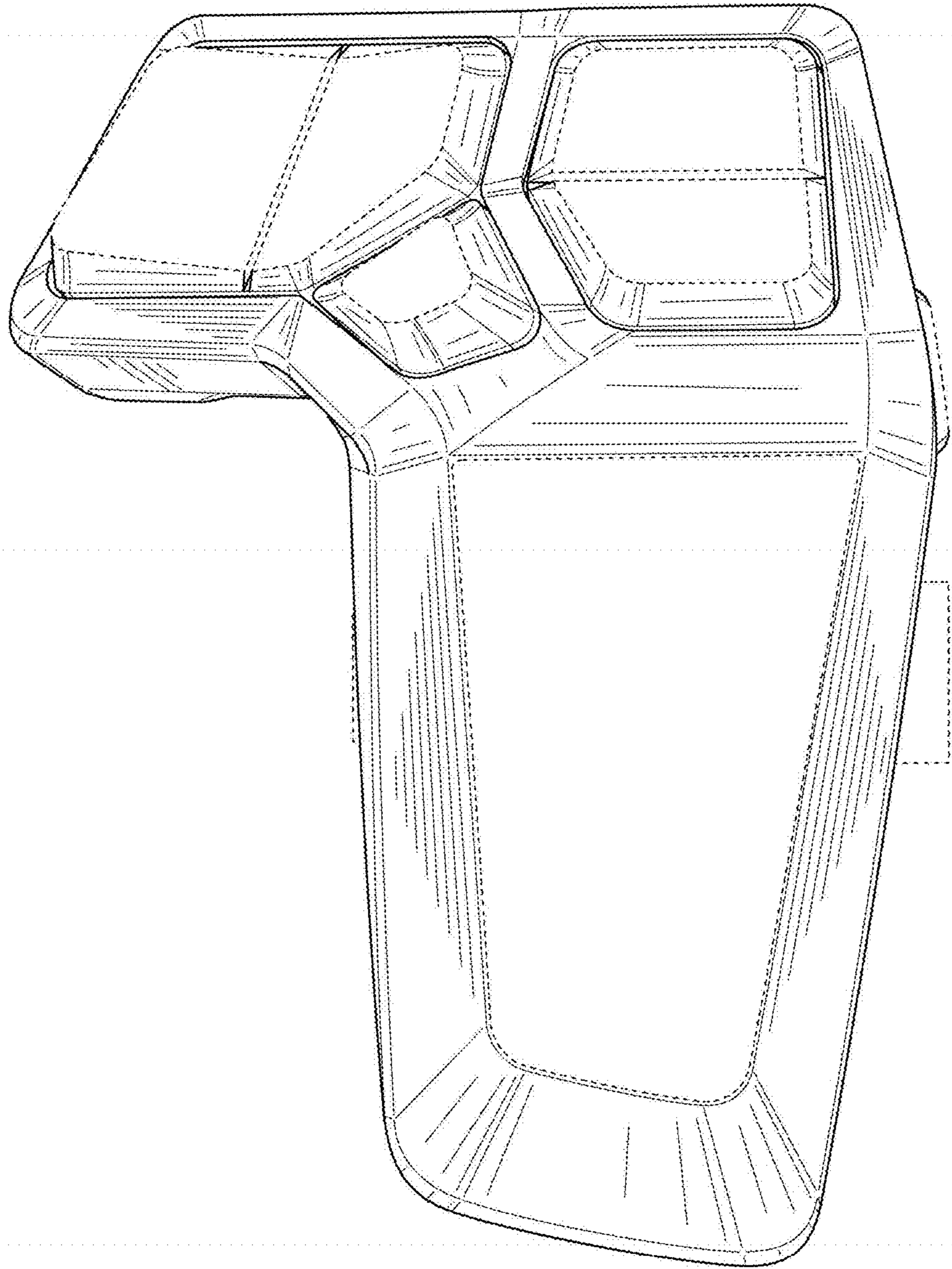


FIG. 6



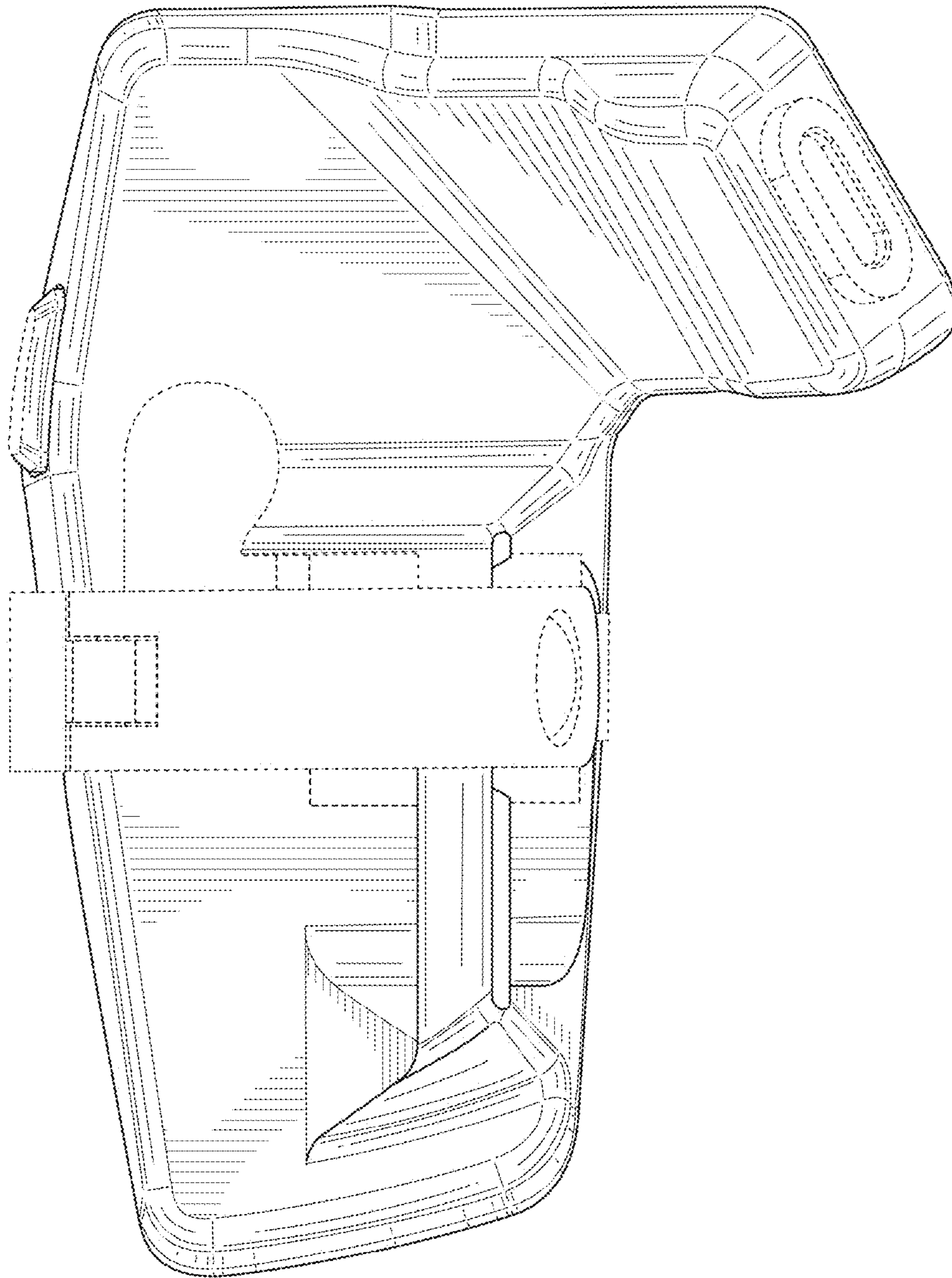


FIG. 7