



US00D914523S

(12) **United States Design Patent**  
**Wu**

(10) **Patent No.:** **US D914,523 S**

(45) **Date of Patent:** **\*\* Mar. 30, 2021**

(54) **VEHICLE STEERING WHEEL LEVEL CORRECTION DEVICE**

(71) Applicant: **Pi-Liang Wu**, Taichung (TW)

(72) Inventor: **Pi-Liang Wu**, Taichung (TW)

(\*\*) Term: **15 Years**

(21) Appl. No.: **29/700,413**

(22) Filed: **Aug. 2, 2019**

(51) **LOC (13) Cl.** ..... **10-04**

(52) **U.S. Cl.**  
USPC ..... **D10/69**

(58) **Field of Classification Search**  
USPC ..... D12/174, 177, 223, 400; D10/69;  
D8/339

CPC ..... G01C 9/00

See application file for complete search history.

(56) **References Cited**

**U.S. PATENT DOCUMENTS**

D513,963 S *	1/2006	Cuddy	.....	D10/69
D611,367 S *	3/2010	Wu	.....	D10/69
2004/0107591 A1 *	6/2004	Cuddy	.....	G01C 9/00 33/370

**OTHER PUBLICATIONS**

Steering wheel level, www.alibaba.com [online]. Published on or before Nov. 16, 2020, [retrieved on Nov. 16, 2020]. Retrieved from the Internet: <URL:https://www.alibaba.com/product-detail/Taiwan-High-Performance-Front-End-Alignment\_62023568630.html?spm=a2700.7724857.0.0.584e7e29LWwhlq> (Year: 2020).\*

\* cited by examiner

*Primary Examiner* — Michael A. Pratt

*Assistant Examiner* — Adam C Mager

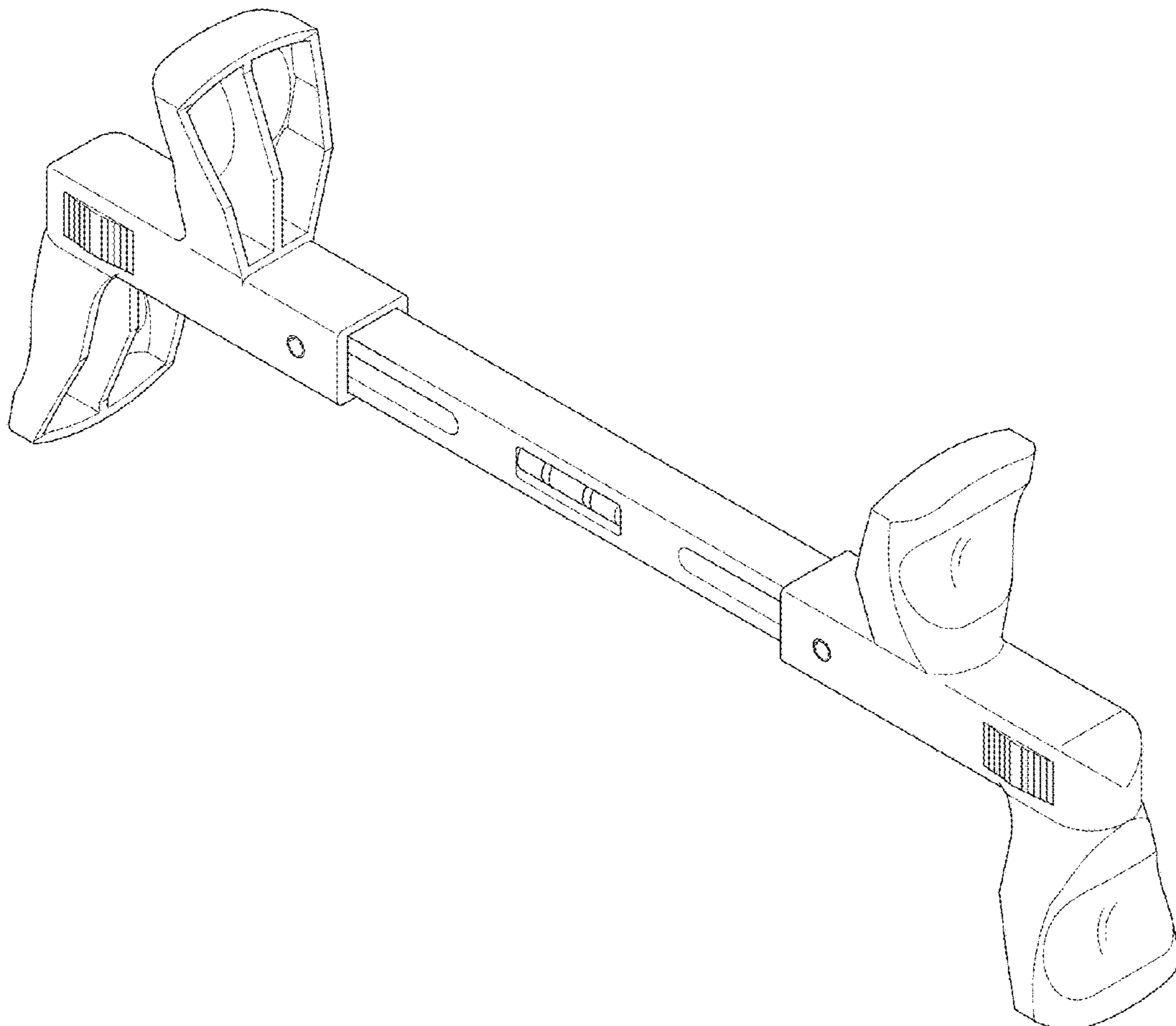
(57) **CLAIM**

The ornamental design for a vehicle steering wheel level correction device, as shown and described.

**DESCRIPTION**

FIG. 1 is a perspective view of the design of the invention; FIG. 2 is a front elevational view thereof; FIG. 3 is a rear elevational view thereof; FIG. 4 is a top plan view thereof; FIG. 5 is a bottom plan view thereof; FIG. 6 is a left side elevational view thereof; and, FIG. 7 is a right side elevational view thereof.

**1 Claim, 7 Drawing Sheets**



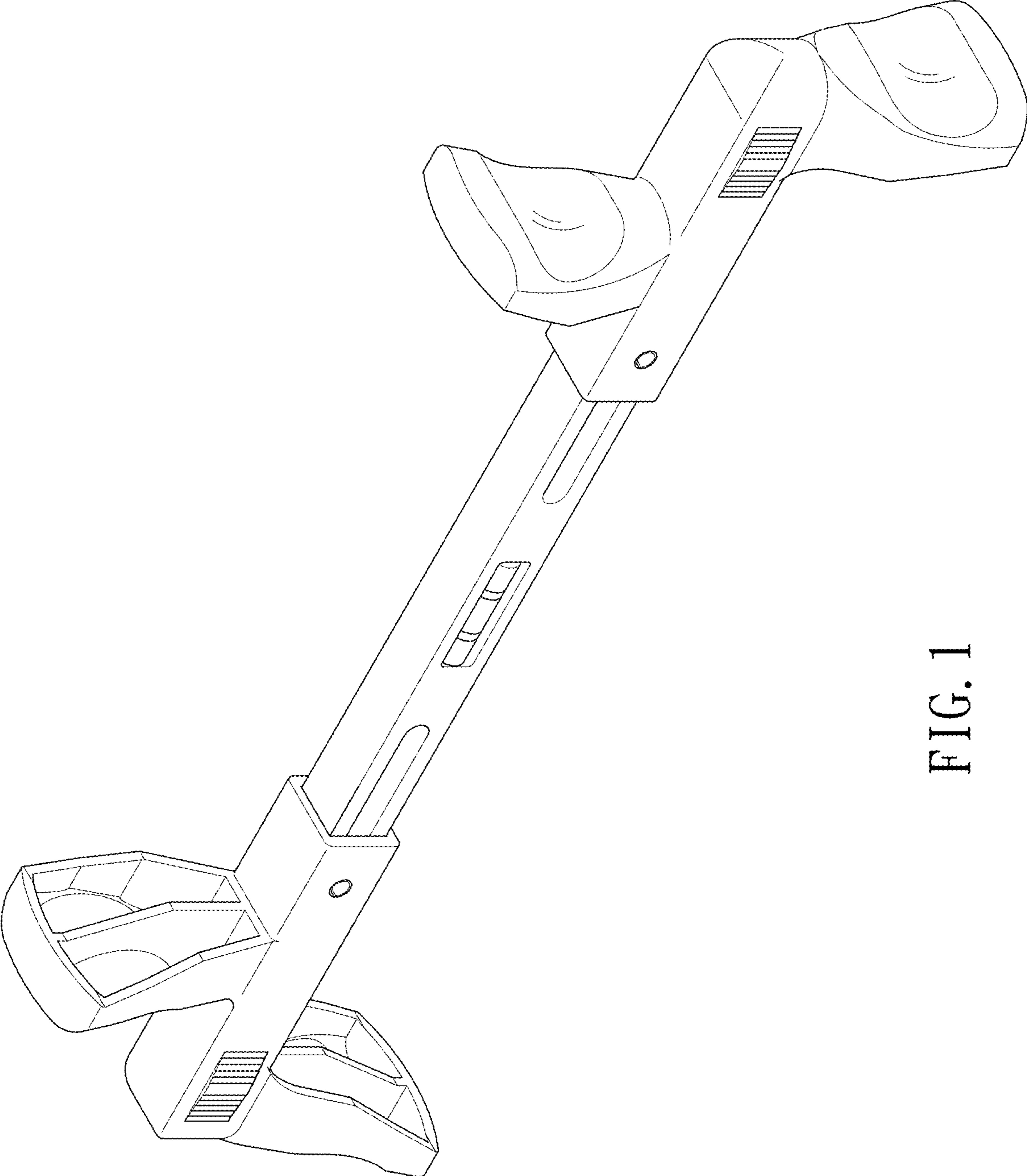


FIG. 1

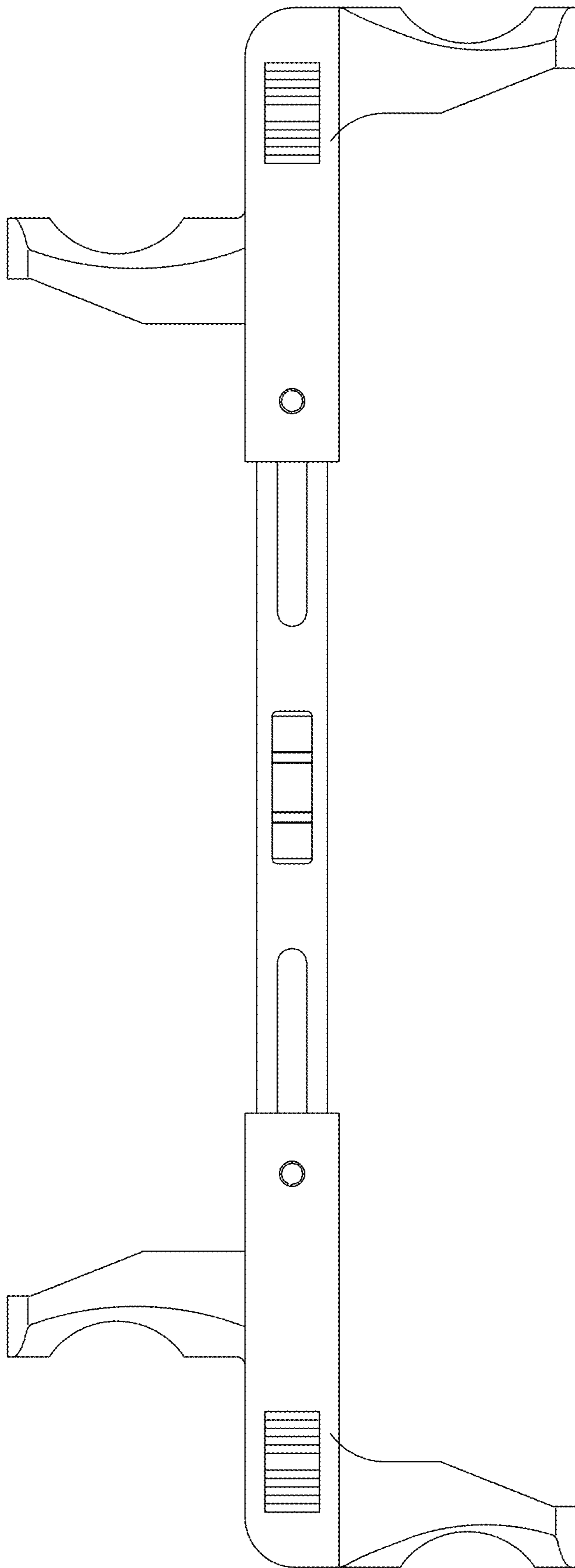


FIG. 2

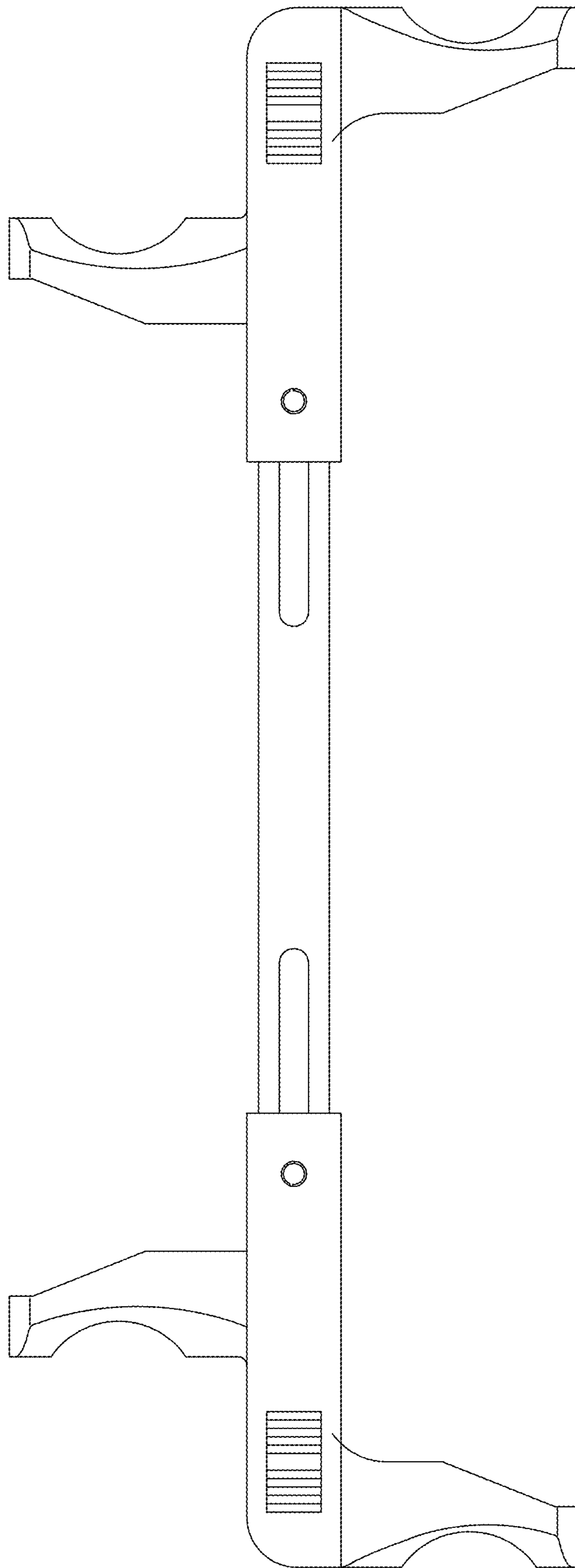


FIG. 3

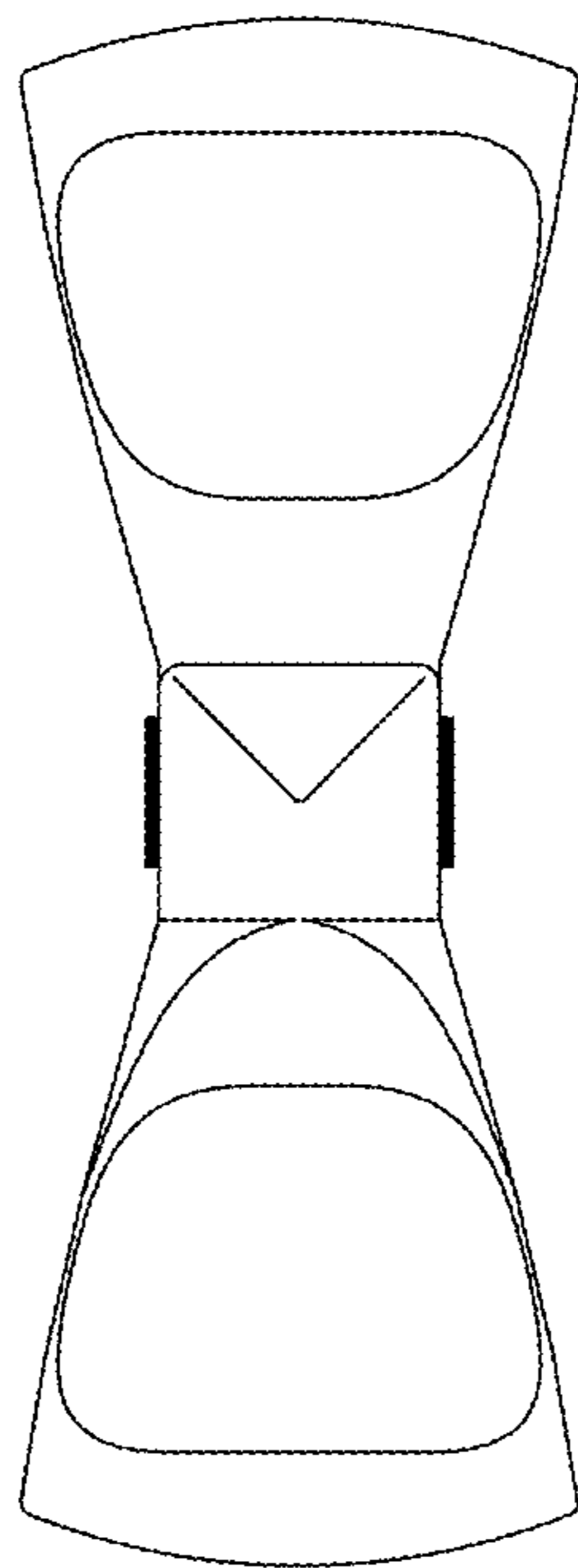


FIG. 4

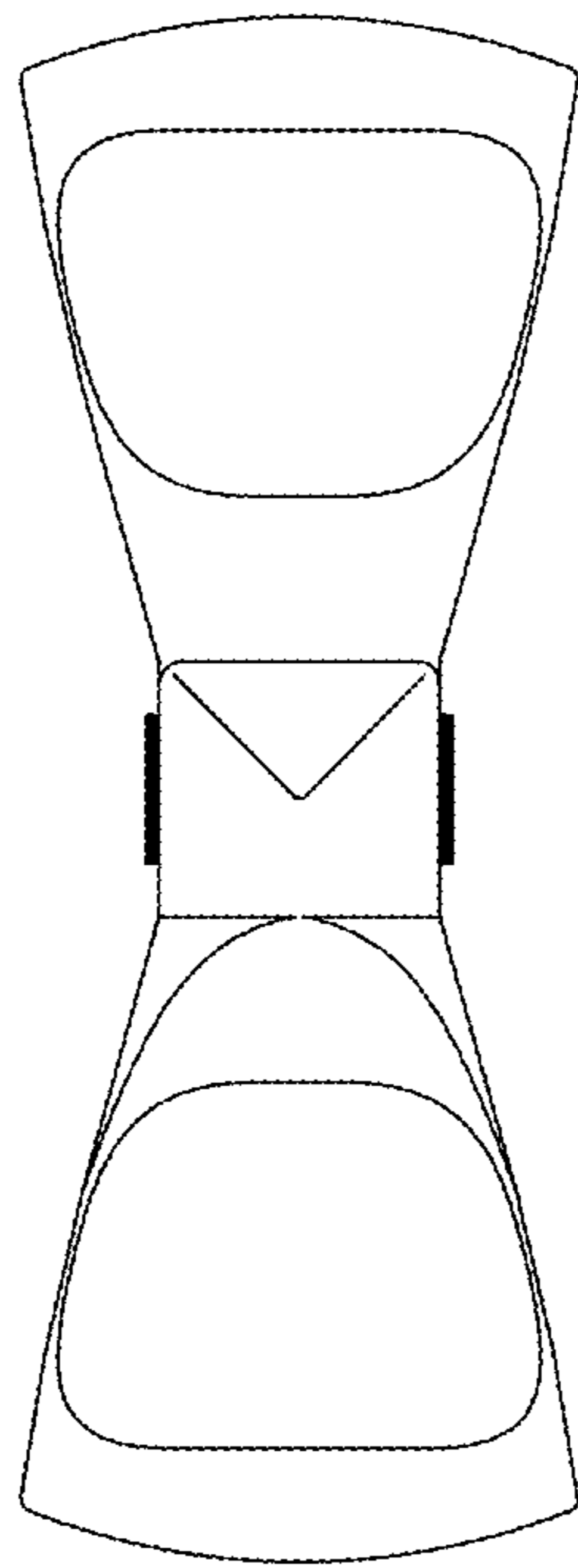


FIG. 5

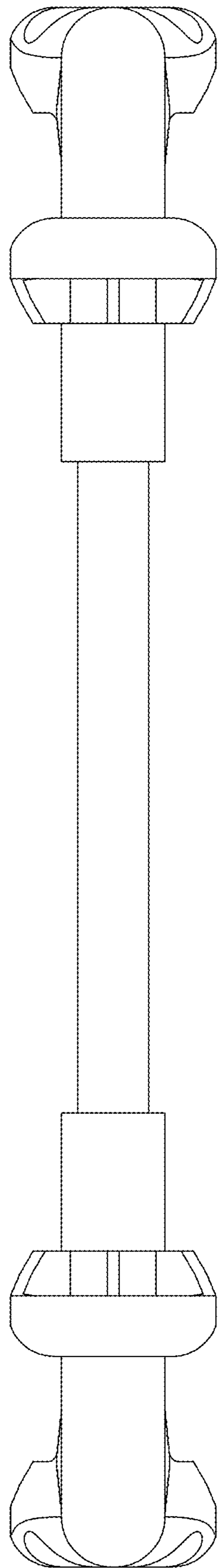


FIG. 6

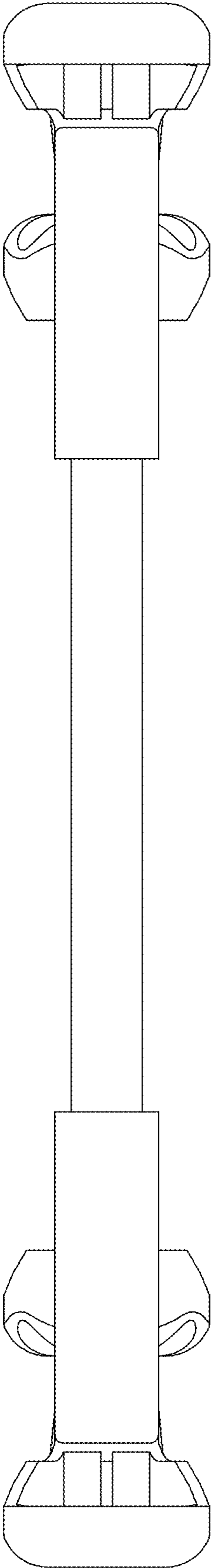


FIG. 7