



US00D914520S

(12) **United States Design Patent**
Yu

(10) **Patent No.:** **US D914,520 S**
(45) **Date of Patent:** **** Mar. 30, 2021**

- (54) **DIGITAL ALARM CLOCK**
- (71) Applicant: **FUZHOU ESUN ELECTRONIC CO., LTD**, Fuzhou (CN)
- (72) Inventor: **Guo Yu**, Fuzhou (CN)
- (73) Assignee: **FUZHOU ESUN ELECTRONIC CO., LTD**, Fuzhou (CN)
- (**) Term: **15 Years**
- (21) Appl. No.: **29/719,318**
- (22) Filed: **Jan. 2, 2020**
- (30) **Foreign Application Priority Data**
Dec. 12, 2019 (CN) 201930694396.8
- (51) **LOC (13) Cl.** **10-01**
- (52) **U.S. Cl.**
USPC **D10/15**
- (58) **Field of Classification Search**
USPC D10/1-7, 14-15, 24-27, 52, 53, 57;
D14/171-172, 188-189, 371, 374-377,
D14/448, 451, 452, 485-495; D6/308
CPC G04C 17/00; G04C 17/0016; G04C 19/00;
G04C 19/02; G04C 21/04; G04C 21/06;
G04C 23/00; G04C 23/02; G04B 21/00;
G04B 45/0007; G04B 45/0038; G04B
45/0069; G04G 9/00; G04G 17/08; G04G
17/086; G09G 2380/04; G09G 2380/06;
G09G 2380/16; A47G 1/06; G01W 1/02;
G01W 1/10
See application file for complete search history.

- (56) **References Cited**
U.S. PATENT DOCUMENTS
D304,691 S * 11/1989 Kubo D10/15
D408,296 S * 4/1999 Hui D10/1

- D541,185 S * 4/2007 Li D10/62
- D543,868 S * 6/2007 Bhavnani D10/15
- D602,259 S * 10/2009 Finnegan D14/371
- D618,682 S * 6/2010 Haase D14/371
- D705,225 S * 5/2014 Huh D14/374
- D750,093 S * 2/2016 Jung D14/451
- 9,310,778 B1 * 4/2016 Gancz G04G 17/08
- D761,797 S * 7/2016 Kang D14/374
- D762,211 S * 7/2016 Lee D14/371
- D784,165 S * 4/2017 Nishi D10/1
- D786,816 S * 5/2017 Choo D14/138 AA
- D790,496 S * 6/2017 Park D14/138 AA
- D801,337 S * 10/2017 Lee D14/374
- D806,669 S * 1/2018 Kangasmaa D14/138 AA
- D812,610 S * 3/2018 Varghese D14/371
- D820,114 S * 6/2018 Hu D10/15
- D828,184 S * 9/2018 Hu D10/26
- D835,096 S * 12/2018 Woo D14/336
- D835,101 S * 12/2018 Kim D14/371
- D845,149 S * 4/2019 Yu D10/15
- D853,860 S * 7/2019 Bai D10/2
- D875,553 S * 2/2020 Yu D10/2
- D881,023 S * 4/2020 Hu D10/15

(Continued)

Primary Examiner — Katherine Glennon
(74) *Attorney, Agent, or Firm* — Westbridge IP LLC

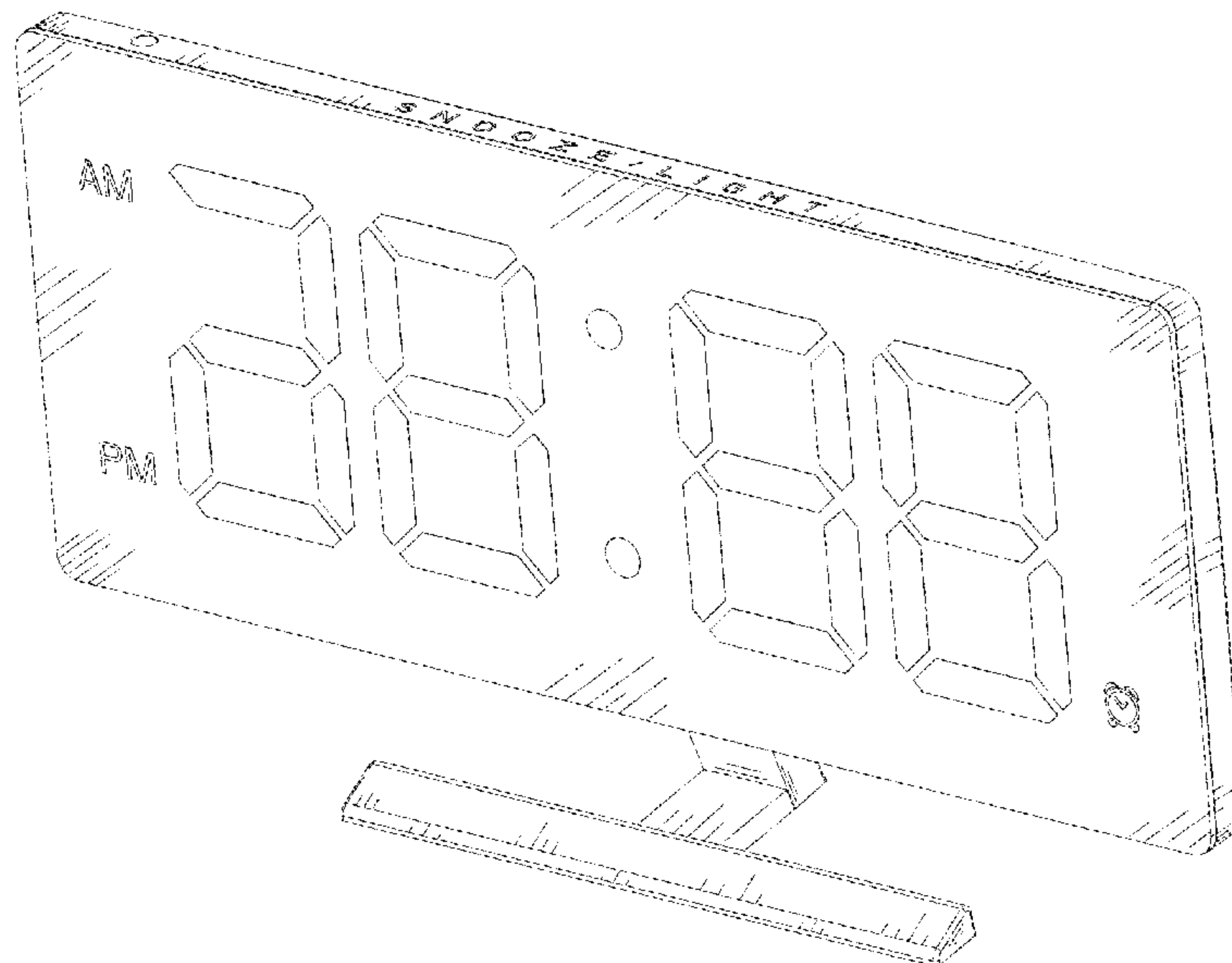
(57) **CLAIM**

The ornamental design for a digital alarm clock, as shown and described.

DESCRIPTION

FIG. 1 is a front perspective view of a digital alarm clock showing my new design;
FIG. 2 is a rear perspective view thereof;
FIG. 3 is a front elevational view thereof;
FIG. 4 is a rear elevational view thereof;
FIG. 5 is a left side view thereof;
FIG. 6 is a right side view thereof;
FIG. 7 is a top plan view; and,
FIG. 8 is a bottom plan view thereof.

1 Claim, 8 Drawing Sheets



(56)

References Cited

U.S. PATENT DOCUMENTS

D895,441 S * 9/2020 Yu D10/2
2016/0183393 A1 * 6/2016 Groom B62B 9/26
280/33.992

* cited by examiner

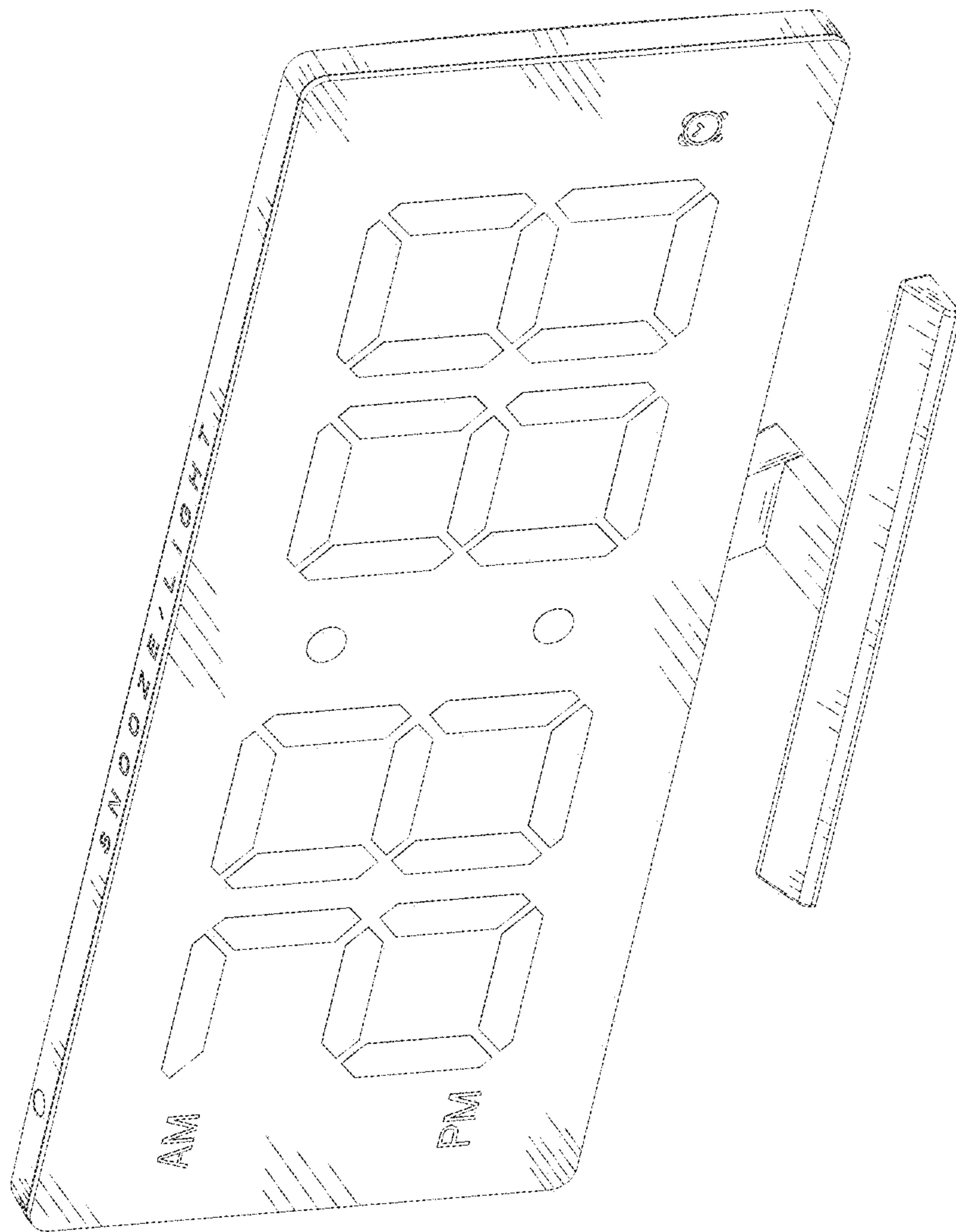


FIG.1

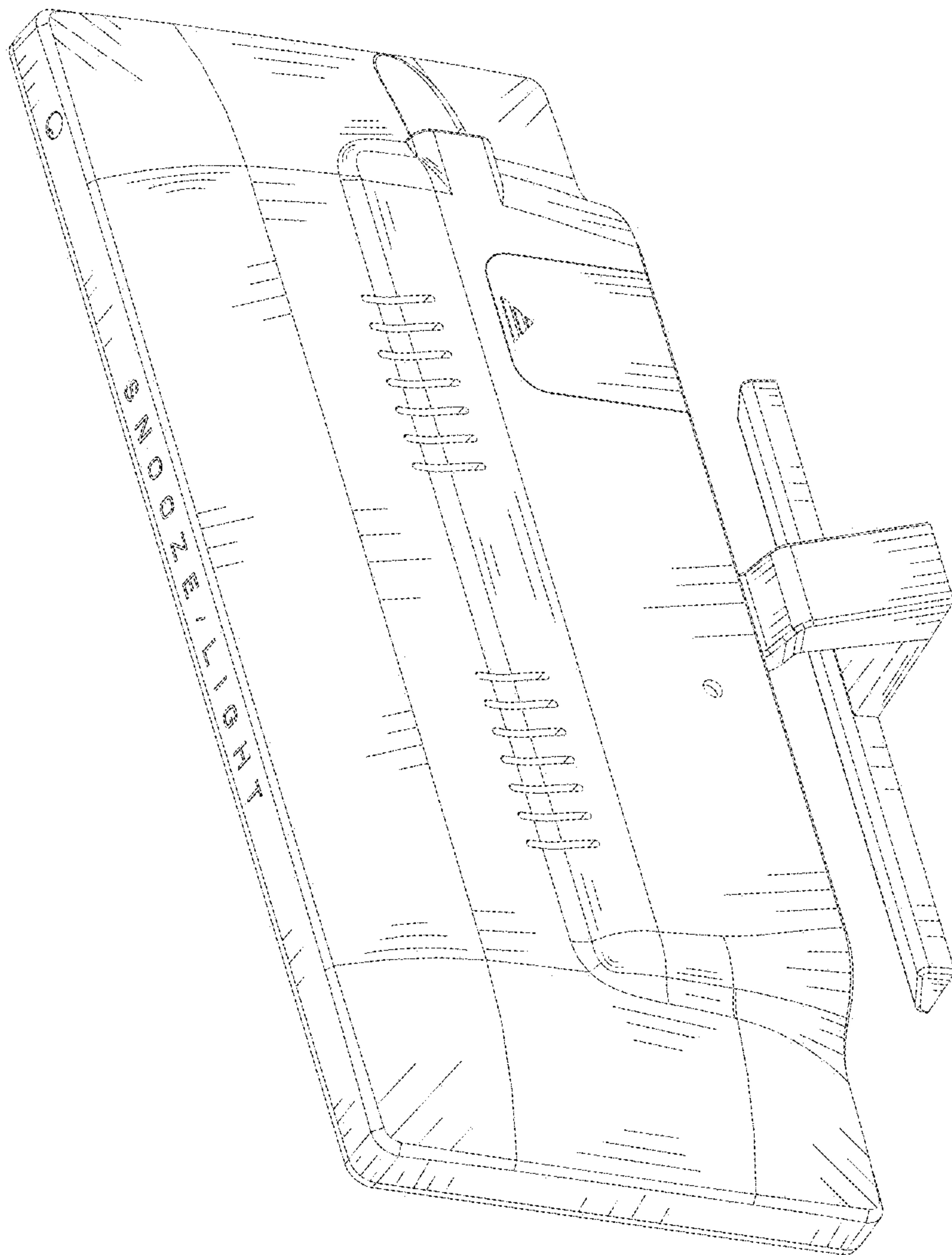


FIG. 2

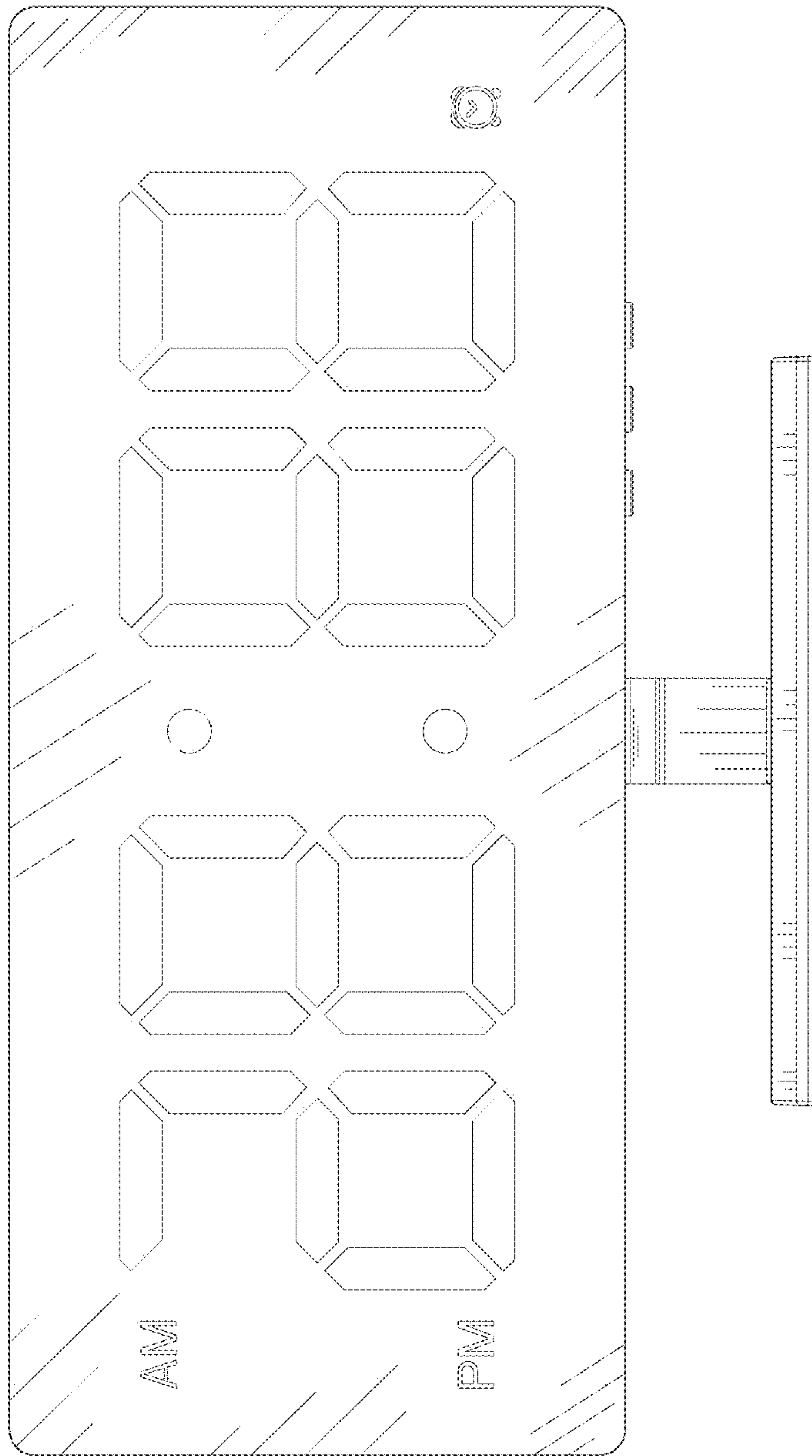


FIG.3

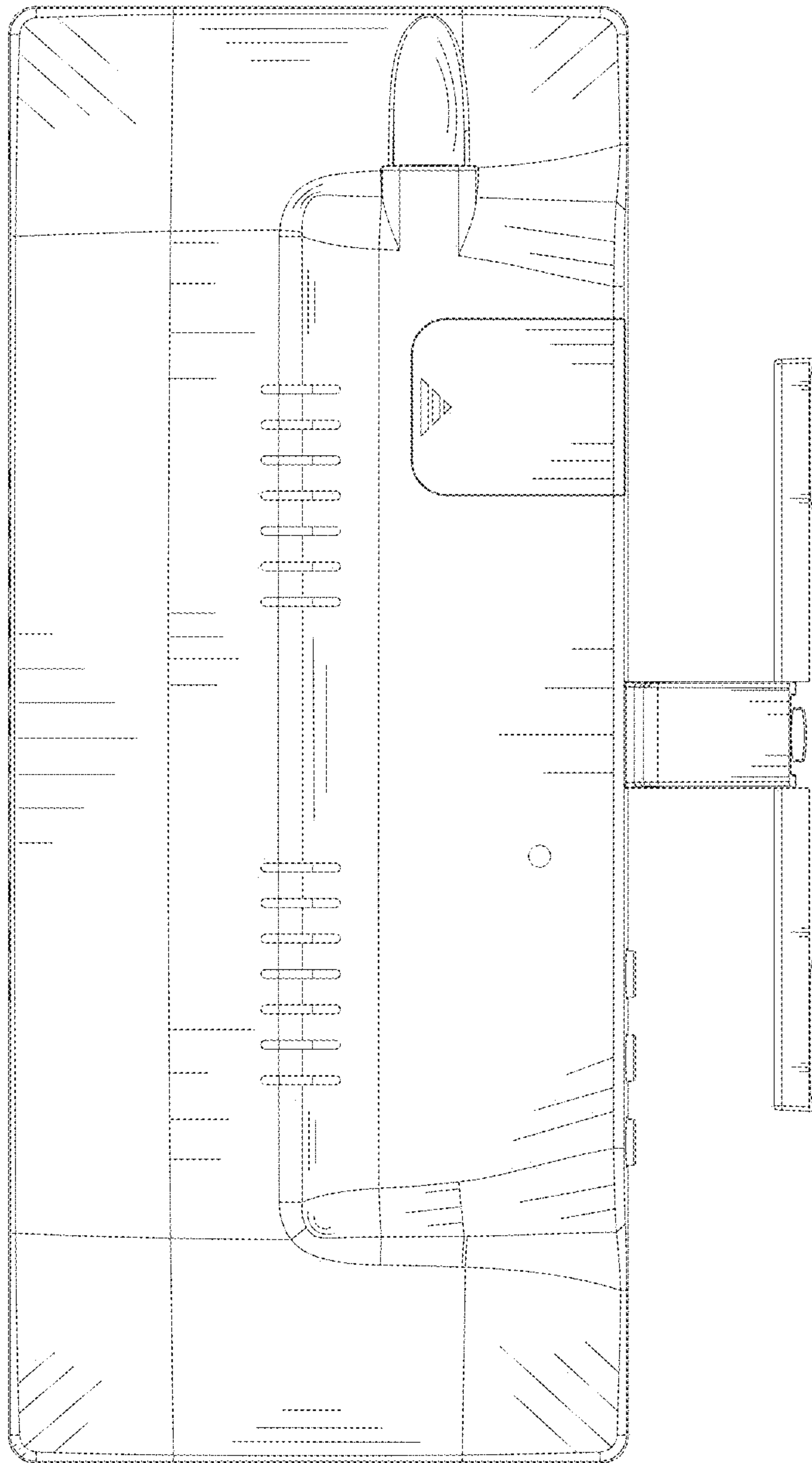


FIG.4

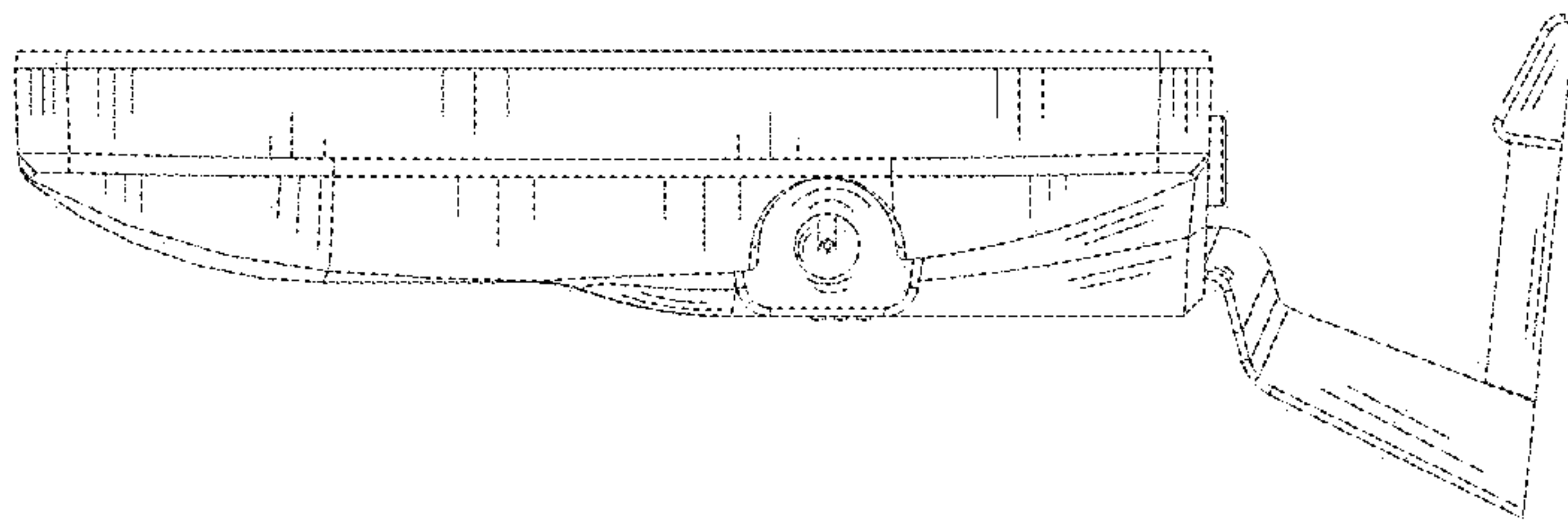


FIG.5

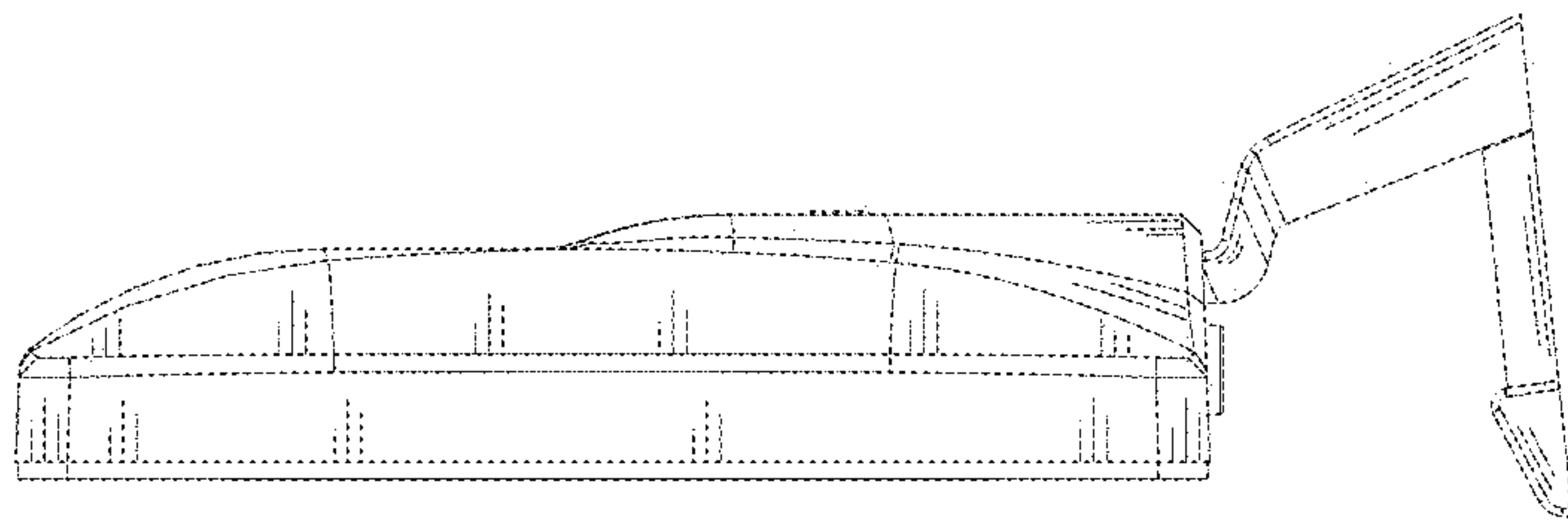


FIG.6

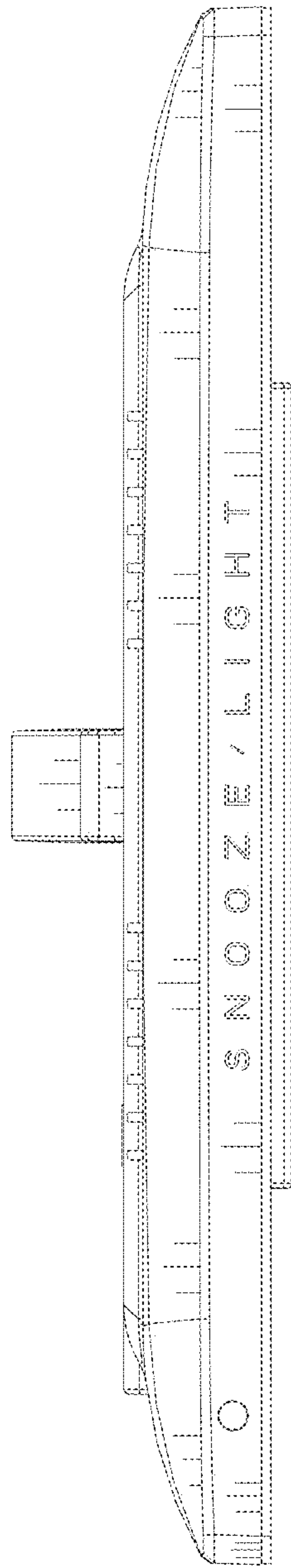


FIG. 7

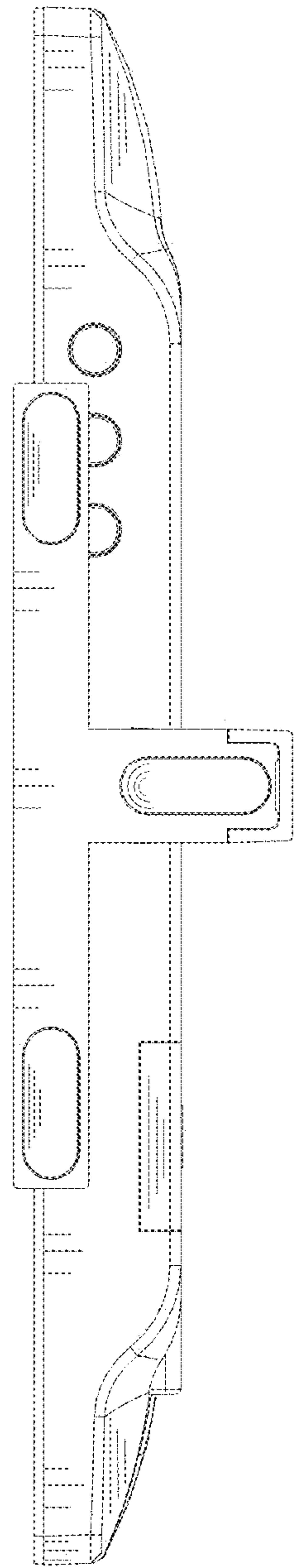


FIG. 8