



US00D914518S

(12) **United States Design Patent** (10) **Patent No.:** **US D914,518 S**  
**Krueger et al.** (45) **Date of Patent:** **\*\* Mar. 30, 2021**

(54) **PLASTIC FOOD CONTAINER**

(71) Applicant: **Anchor Packaging, LLC**, St. Louis, MO (US)

(72) Inventors: **Kevin Krueger**, Fenton, MO (US);  
**Mike Pohlman**, Valley Park, MO (US)

(73) Assignee: **Anchor Packaging, LLC**, Ballwin, MO (US)

(\*\*) Term: **15 Years**

(21) Appl. No.: **29/692,900**

(22) Filed: **May 29, 2019**

(51) **LOC (13) Cl.** ..... **09-03**

(52) **U.S. Cl.**  
USPC ..... **D9/761**

(58) **Field of Classification Search**  
USPC ..... D9/414–416, 418, 420–425, 430–432,  
D9/434, 435, 456; D7/601, 602, 610,  
(Continued)

(56) **References Cited**

**U.S. PATENT DOCUMENTS**

1,800,846 A 4/1931 Slagel  
2,633,284 A 3/1953 McFarland et al.  
(Continued)

**FOREIGN PATENT DOCUMENTS**

CN 305118231 8/2018  
EM 00212113-0001 7/2004  
(Continued)

**OTHER PUBLICATIONS**

Co-pending U.S. Appl. No. 29/633,905, filed Jan. 17, 2018.  
(Continued)

*Primary Examiner* — W. A. Teddy Falloway

(74) *Attorney, Agent, or Firm* — Don V. Kelly; Evans & Dixon, L.L.C.

(57) **CLAIM**

The ornamental design for a plastic food container, as shown and described.

**DESCRIPTION**

FIG. 1 is a front perspective view of a plastic food container embodying the new design;  
FIG. 2 is a front elevation view thereof with the base having the lid secured thereon;  
FIG. 3 is a rear elevation view thereof with the base having the lid secured thereon;  
FIG. 4 is a left side elevation view thereof with the base having the lid secured thereon;  
FIG. 5 is a right side elevation view thereof with the base having the lid secured thereon;  
FIG. 6 is a top plan view thereof with the base having the lid secured thereon;  
FIG. 7 is a bottom plan view thereof with the base having the lid secured thereon;  
FIG. 8 is a front exploded perspective view thereof with the lid removed from the base to provide a partial view of the interior of the container;  
FIG. 9 is a front elevation view of the lid of the container, shown separately for completeness of illustration;  
FIG. 10 is a rear elevation view of the lid of the container, shown separately for completeness of illustration;  
FIG. 11 is a left side elevation view of the lid of the container, shown separately for completeness of illustration;  
FIG. 12 is a right side elevation view of the lid of the container, shown separately for completeness of illustration;  
FIG. 13 is a top plan view of the lid of the container, shown separately for completeness of illustration;  
FIG. 14 is a bottom plan view of the lid of the container, shown separately for completeness of illustration;  
FIG. 15 is a front elevation view of the base of the container, shown separately for completeness of illustration;  
FIG. 16 is a rear elevation view of the base of the container, shown separately for completeness of illustration;  
FIG. 17 is a left side elevation view of the base of the container, shown separately for completeness of illustration;

(Continued)

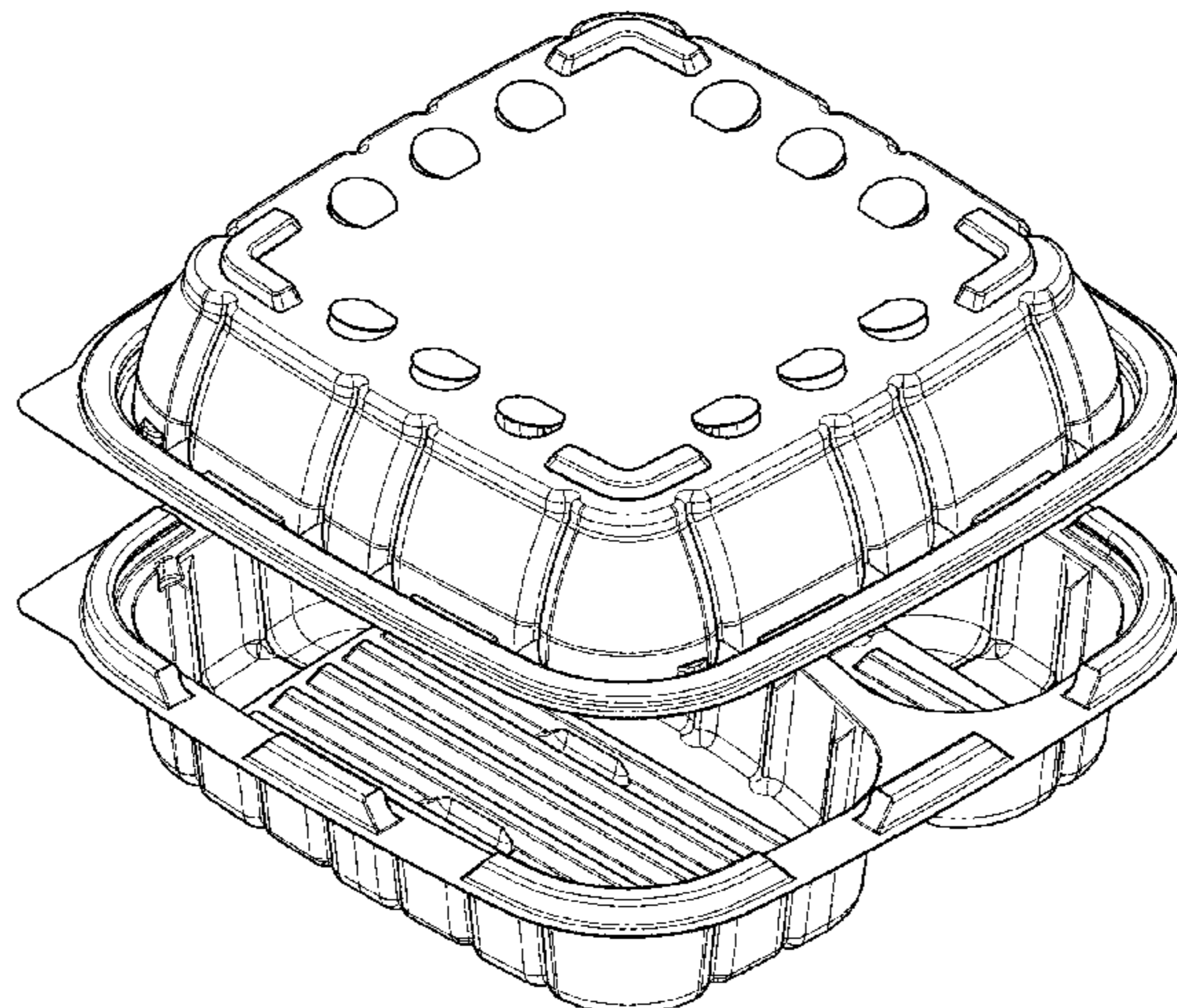


FIG. 18 is a right side elevation view of the base of the container, shown separately for completeness of illustration; FIG. 19 is a top plan view of the base of the container, shown separately for completeness of illustration; and, FIG. 20 is a bottom plan view of the base of the container, shown separately for completeness of illustration.

**1 Claim, 20 Drawing Sheets**

(58) **Field of Classification Search**

USPC ..... D7/614, 701, 703, 629, 550.1, 553.1, D7/553.2, 553.3, 553.7, 554.3, 554.4, D7/555, 557; D3/273, 201, 206, 294, D3/295, 304, 313  
 CPC .... B65D 85/34; B65D 85/345; B65D 43/161; B65D 43/162; B65D 43/16; B65D 51/28; B65D 2543/00194; B65D 1/24; B65D 21/0237; B65D 2543/00101; B65D 2543/00351; B65D 1/36; B65D 25/04; B65D 2543/00555; B65D 2581/3425; B65D 43/0218; B65D 2543/00083; B65D 2543/00268; B65D 2543/00277; B65D 81/3453; A47G 19/02; A47G 19/065; A47G 23/06

See application file for complete search history.

(56) **References Cited**

U.S. PATENT DOCUMENTS

D226,836 S \* 5/1973 Cyr et al. .... D9/761  
 D236,691 S \* 9/1975 Haase ..... D9/761  
 D236,692 S \* 9/1975 Haase ..... D9/761  
 D240,353 S \* 6/1976 Edwards ..... D9/761  
 D251,895 S 5/1979 Belmuth  
 D254,776 S \* 4/1980 Edwards ..... D9/426  
 4,298,133 A \* 11/1981 Davis ..... B65D 43/162  
 220/4.23  
 D262,866 S \* 2/1982 Commisso ..... D9/420  
 D262,944 S \* 2/1982 Commisso ..... D9/420  
 4,372,526 A 2/1983 Daenen  
 D288,698 S 3/1987 Finnamore  
 4,784,267 A 11/1988 Gessler et al.  
 4,915,251 A \* 4/1990 Payne ..... B65D 85/324  
 220/4.23  
 5,065,889 A 11/1991 Conti  
 5,076,459 A 12/1991 DeHart  
 D336,216 S 6/1993 Rohrbeck  
 D346,934 S 5/1994 Littlejohn  
 D349,847 S 8/1994 Avins  
 D352,204 S 11/1994 Hayes  
 D371,940 S 7/1996 Krupa  
 D408,734 S \* 4/1999 McCann ..... D9/423  
 5,947,321 A 9/1999 Vadney  
 6,074,676 A 6/2000 Cadiente et al.  
 D440,490 S 4/2001 Lizzio  
 6,257,401 B1 7/2001 Mangle et al.  
 6,257,434 B1 7/2001 Lizzio  
 D473,791 S 4/2003 Loris  
 D494,463 S 8/2004 Tsao  
 6,845,878 B2 1/2005 Hayes et al.  
 D505,323 S \* 5/2005 Ramirez ..... D9/432  
 6,962,263 B2 11/2005 Cadiente et al.  
 D539,666 S \* 4/2007 Chou ..... D9/425  
 D551,546 S \* 9/2007 Ramirez ..... D9/424

D563,095 S 3/2008 Sabbag  
 7,441,672 B2 10/2008 Cadiente et al.  
 7,472,799 B2 1/2009 Cadiente et al.  
 D598,714 S 8/2009 Aagaard  
 D616,698 S 6/2010 Lion  
 D621,650 S 8/2010 DeLeo  
 D625,180 S 10/2010 Enriquez  
 D628,471 S 12/2010 Golota  
 7,900,793 B2 3/2011 Hanson et al.  
 D645,711 S 9/2011 Sudia  
 D670,178 S 11/2012 Carson  
 D672,644 S \* 12/2012 Allers ..... D9/423  
 D681,446 S \* 5/2013 Schulter ..... D9/426  
 D683,178 S 5/2013 Su  
 D699,106 S 2/2014 Glaser  
 8,770,431 B1 7/2014 Glaser  
 D731,263 S 6/2015 Zila  
 D764,907 S \* 8/2016 Das ..... D9/425  
 D789,798 S 6/2017 Haddad  
 D792,161 S \* 7/2017 Ng ..... D7/541  
 D806,575 S 1/2018 Collins  
 D815,941 S 4/2018 Haddad  
 D817,696 S 5/2018 Mirchandani  
 D874,296 S \* 2/2020 Wouters ..... D9/761  
 D874,945 S \* 2/2020 Krueger ..... D9/761  
 D891,918 S \* 8/2020 Chen ..... D9/425  
 D897,222 S \* 9/2020 Simms, II ..... D9/761  
 D900,639 S \* 11/2020 Huang ..... D9/761  
 D904,205 S \* 12/2020 Ng ..... D9/761  
 D907,481 S \* 1/2021 Krueger ..... D9/425  
 D907,995 S \* 1/2021 Krueger ..... D9/425  
 2003/0062365 A1 4/2003 Krueger  
 2003/0152670 A1 8/2003 Shih  
 2004/0026430 A1 \* 2/2004 Baker ..... B65D 1/36  
 220/575

2007/0196541 A1 8/2007 Vovan  
 2007/0241110 A1 10/2007 Belleggi  
 2009/0057381 A1 3/2009 Gokhale  
 2009/0206090 A1 8/2009 Hanson  
 2010/0122930 A1 5/2010 Manca  
 2010/0320210 A1 12/2010 Cimmerer  
 2013/0175269 A1 7/2013 Chen  
 2013/0175284 A1 7/2013 Chen  
 2014/0183190 A1 7/2014 Tyberghein  
 2016/0016690 A1 1/2016 Lam  
 2018/0297742 A1 10/2018 Dube

FOREIGN PATENT DOCUMENTS

EM 003046416-0001 3/2016  
 EM 005580537-0001 8/2018  
 EM 005580537-0002 8/2018  
 EM 005580537-0003 8/2018  
 EM 005606860-0001 8/2018  
 EM 305040743 2/2019  
 TW 470068 12/2001

OTHER PUBLICATIONS

Co-pending U.S. Appl. No. 29/637,021, filed Feb. 13, 2018.  
 Co-pending U.S. Appl. No. 29/694,618, filed Jun. 12, 2019.  
 Co-pending U.S. Appl. No. 29/692,808, filed May 29, 2019.  
 Co-pending U.S. Appl. No. 29/695,418, filed Jun. 19, 2019.  
 Co-pending U.S. Appl. No. 29/692,818, filed May 29, 2019.  
 Co-pending U.S. Appl. No. 29/694,673, filed Jun. 12, 2019.  
 Co-pending U.S. Appl. No. 29/693,230, filed May 31, 2019.  
 Co-pending U.S. Appl. No. 29/693,235, filed May 31, 2019.  
 Co-pending U.S. Appl. No. 29/693,258, filed May 31, 2019.

\* cited by examiner

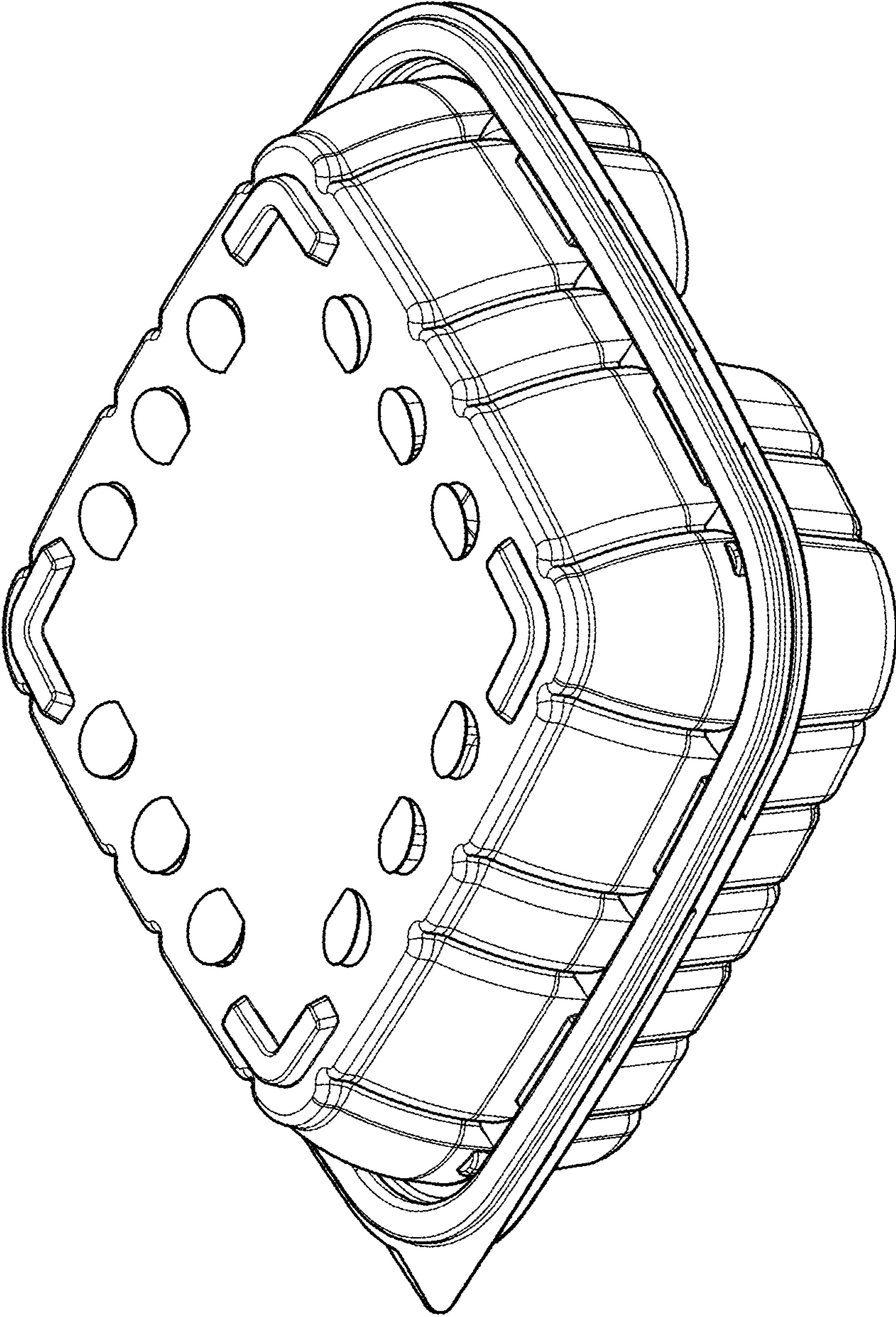


FIGURE 1

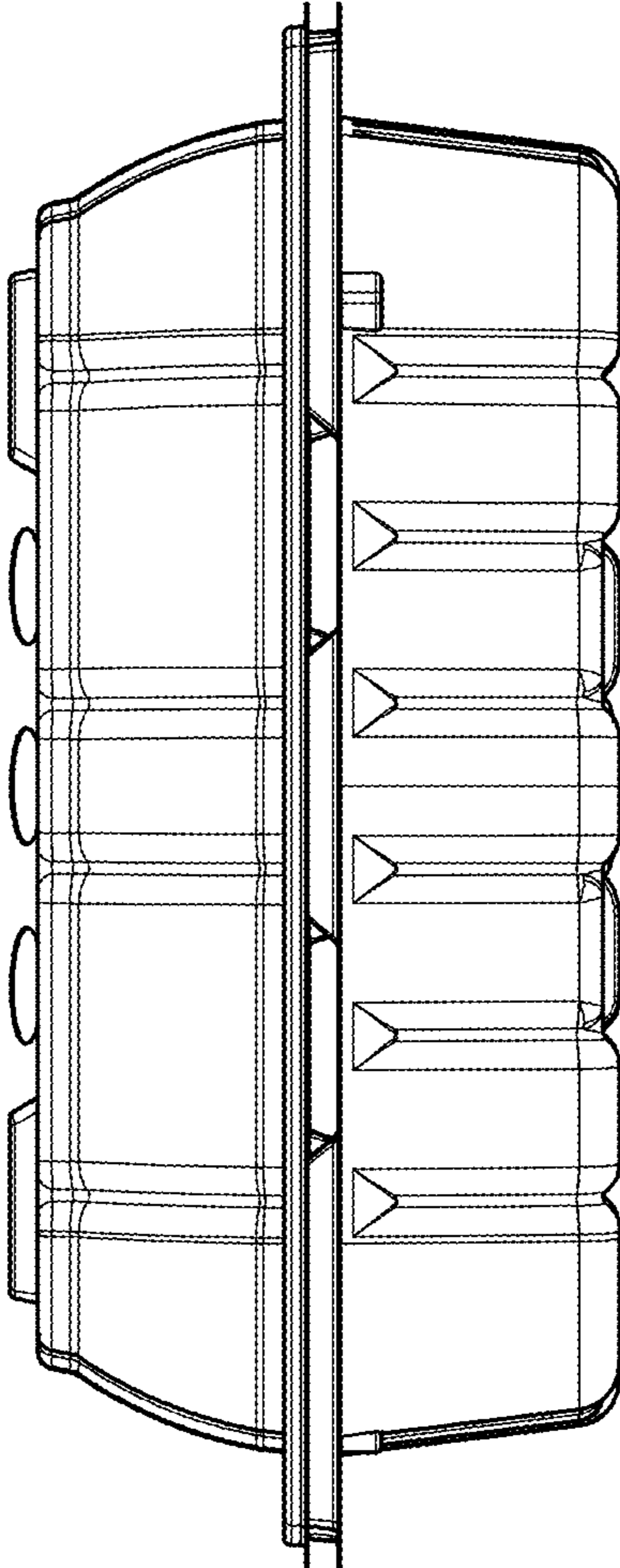


FIGURE 2

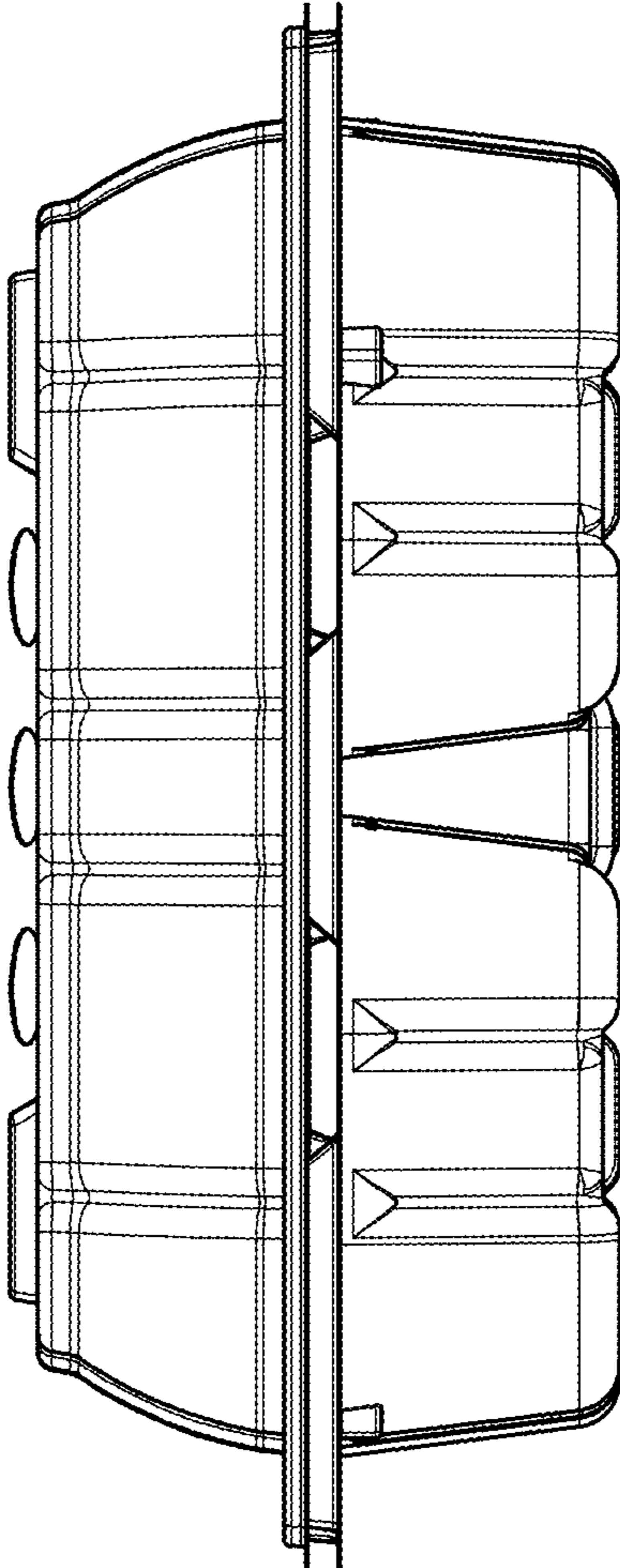


FIGURE 3

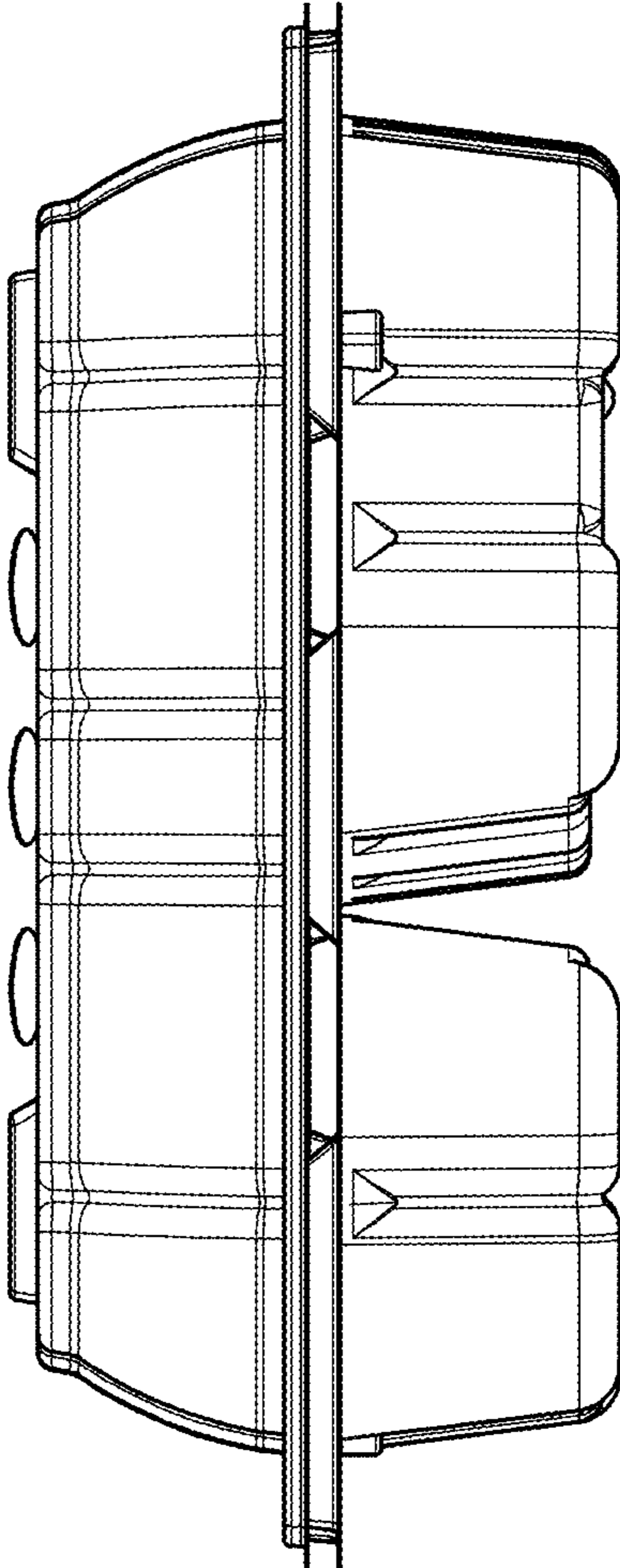


FIGURE 4

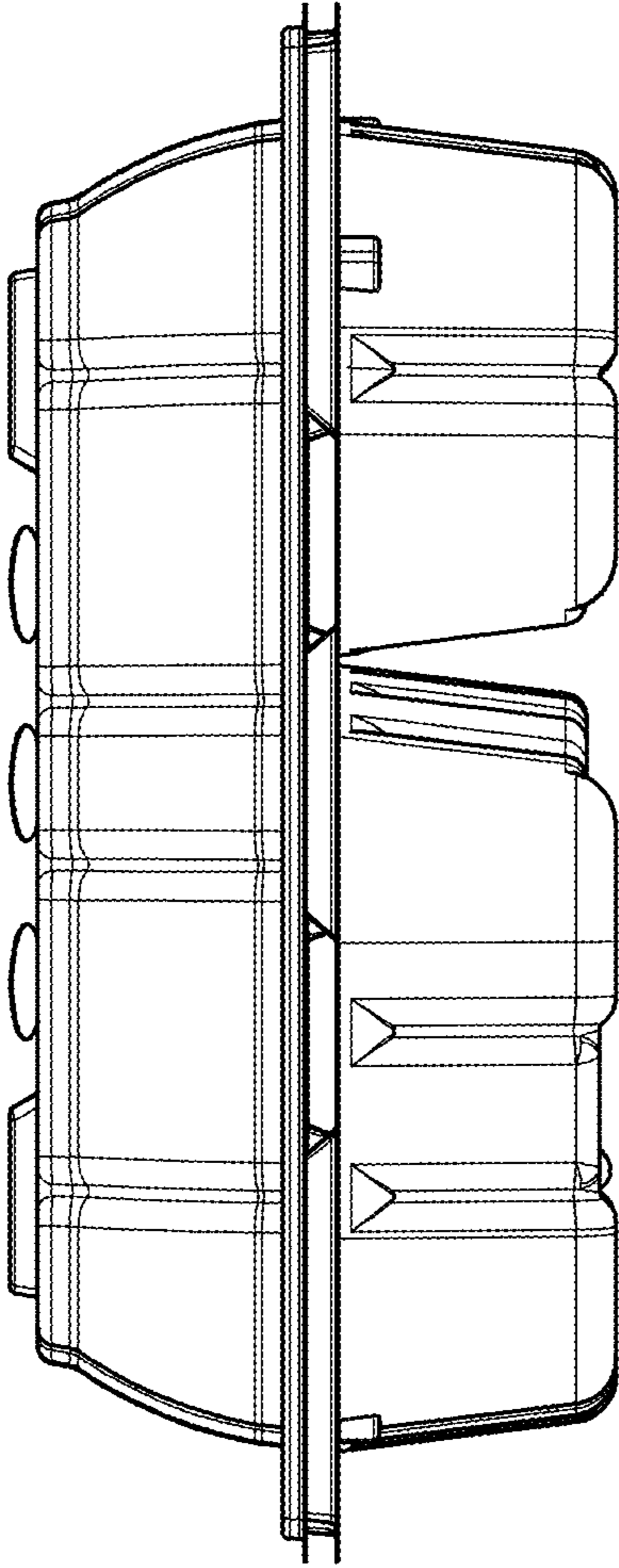


FIGURE 5

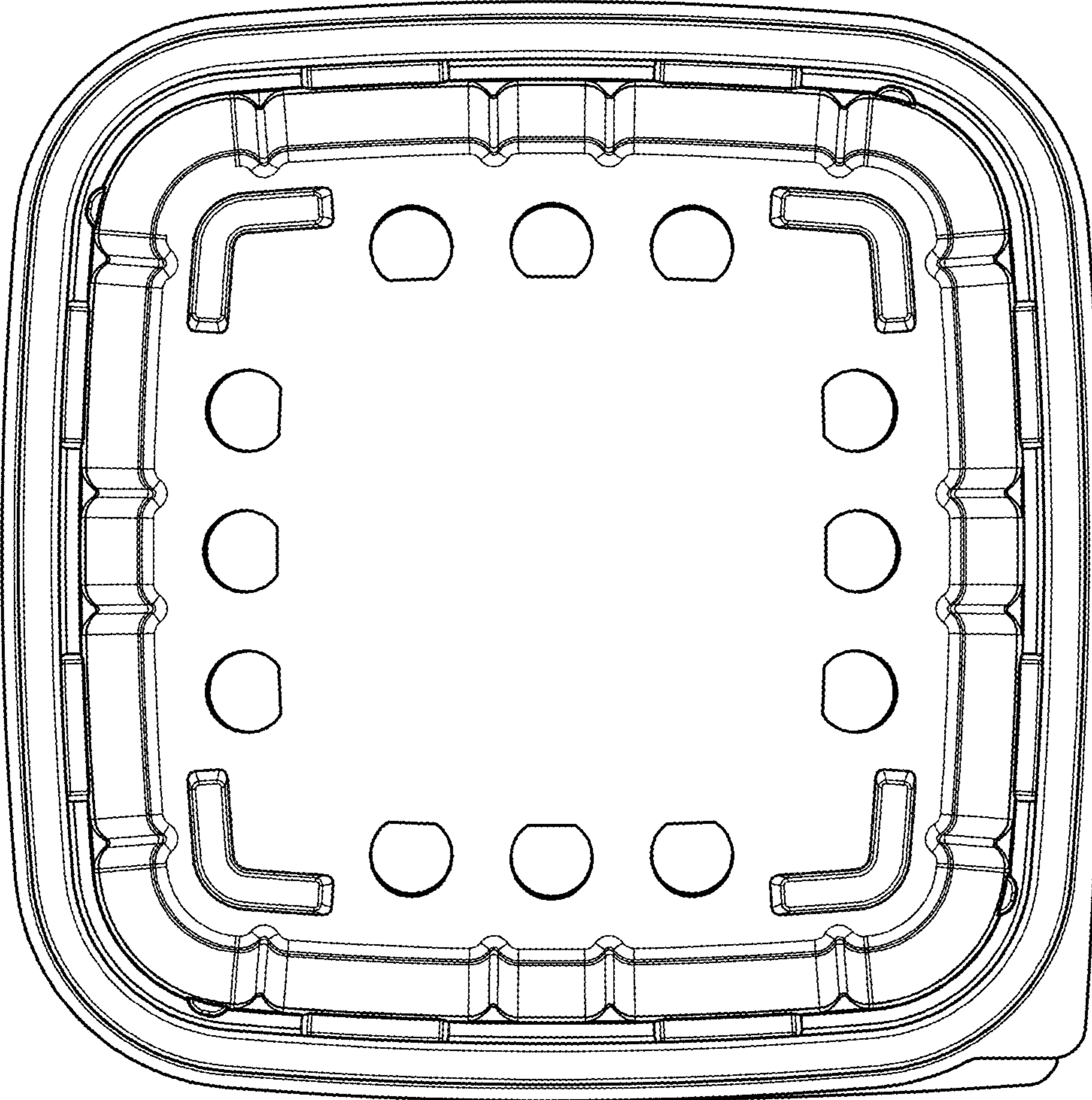


FIGURE 6



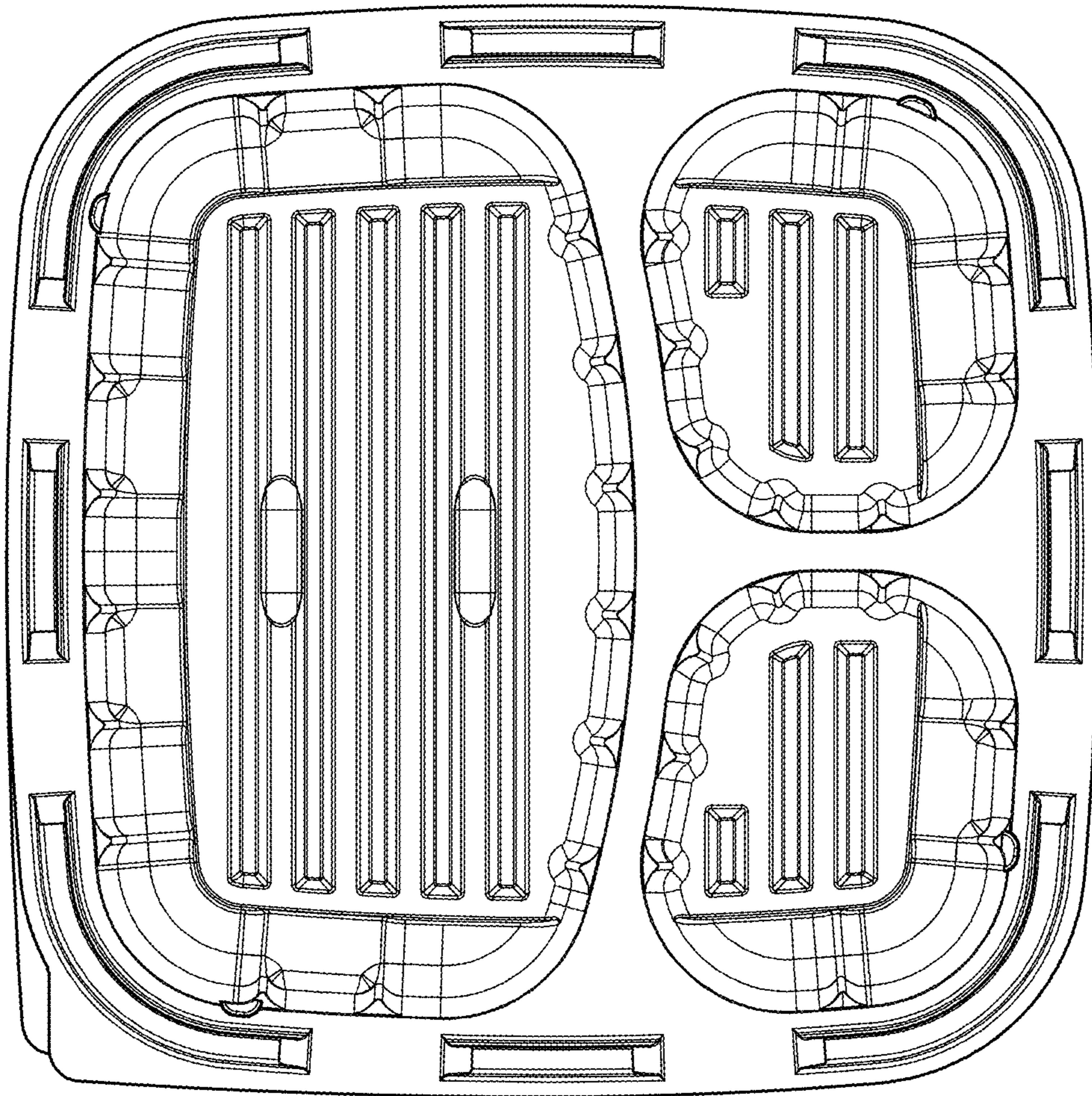


FIGURE 7

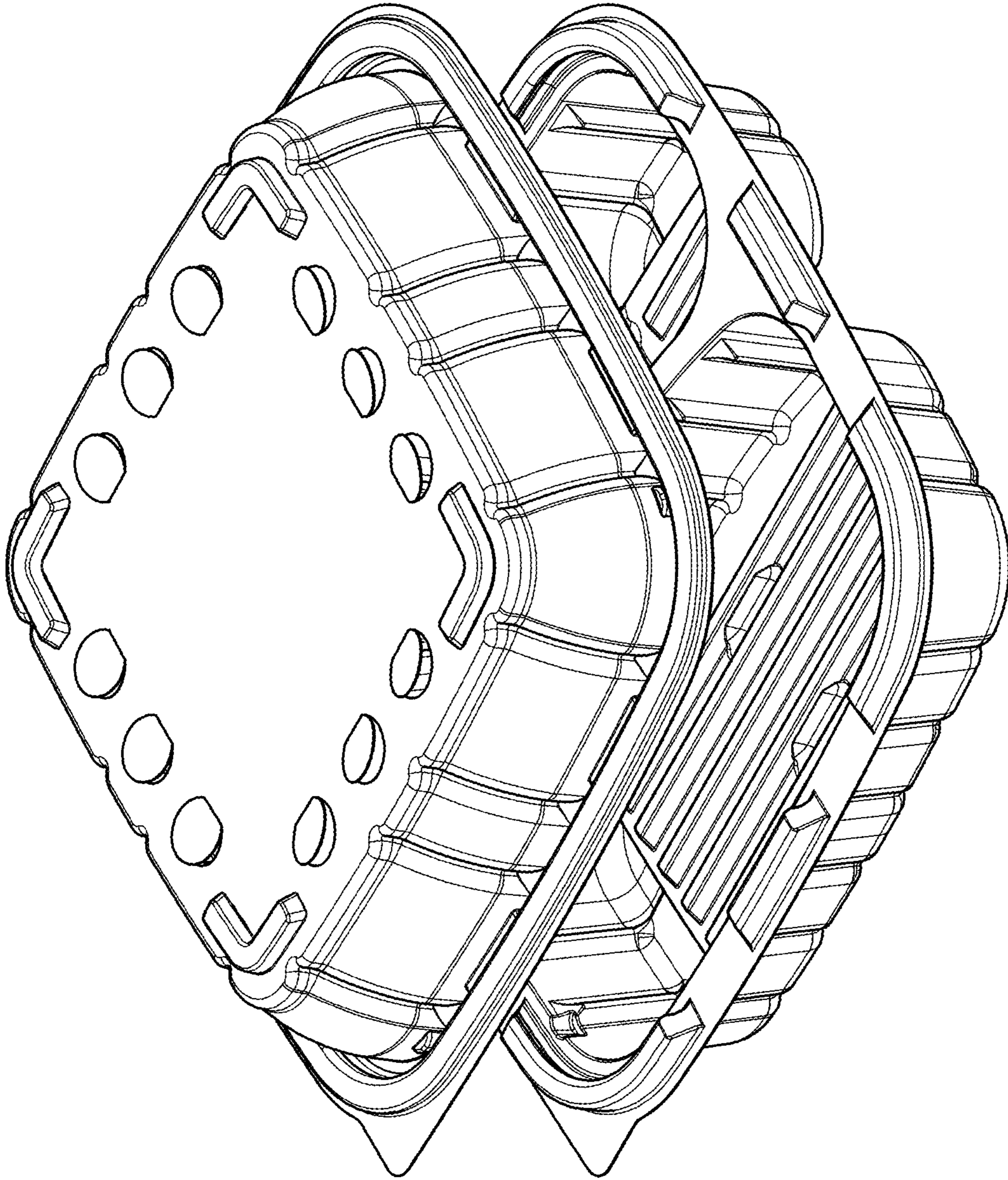


FIGURE 8

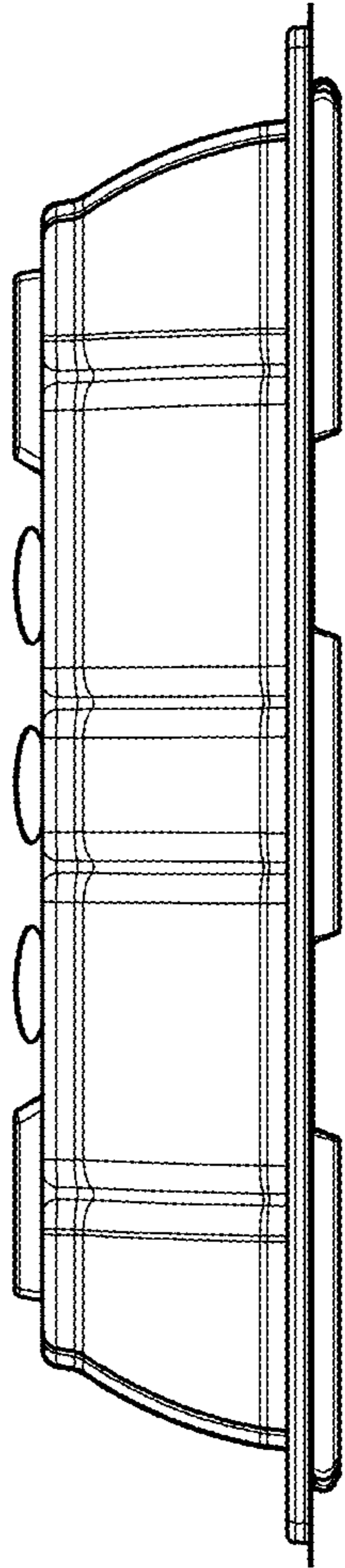


FIGURE 9

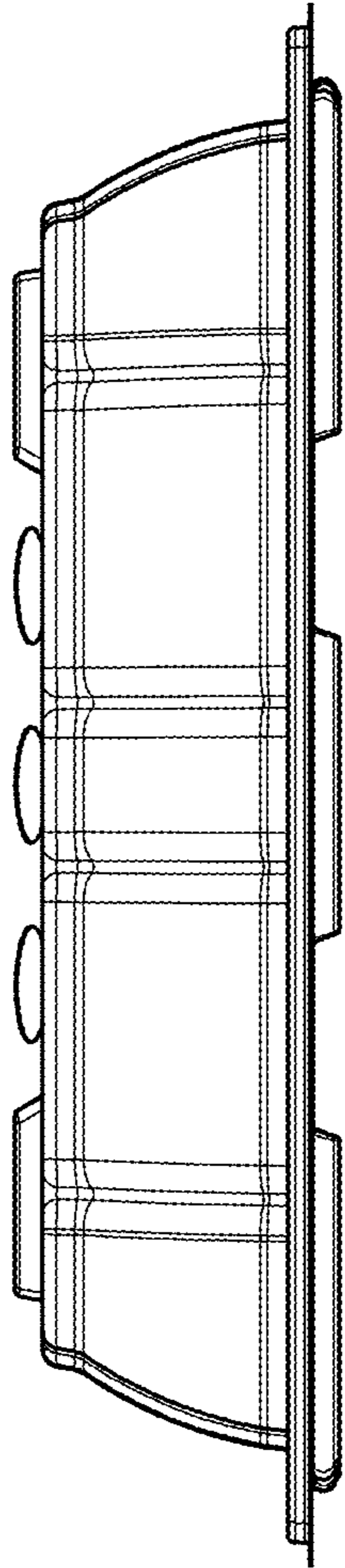


FIGURE 10

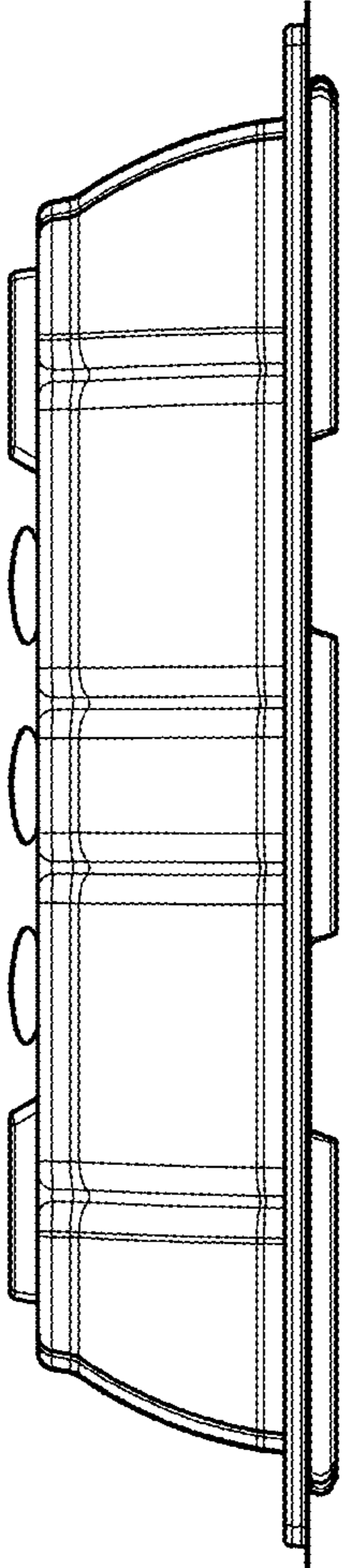


FIGURE 11

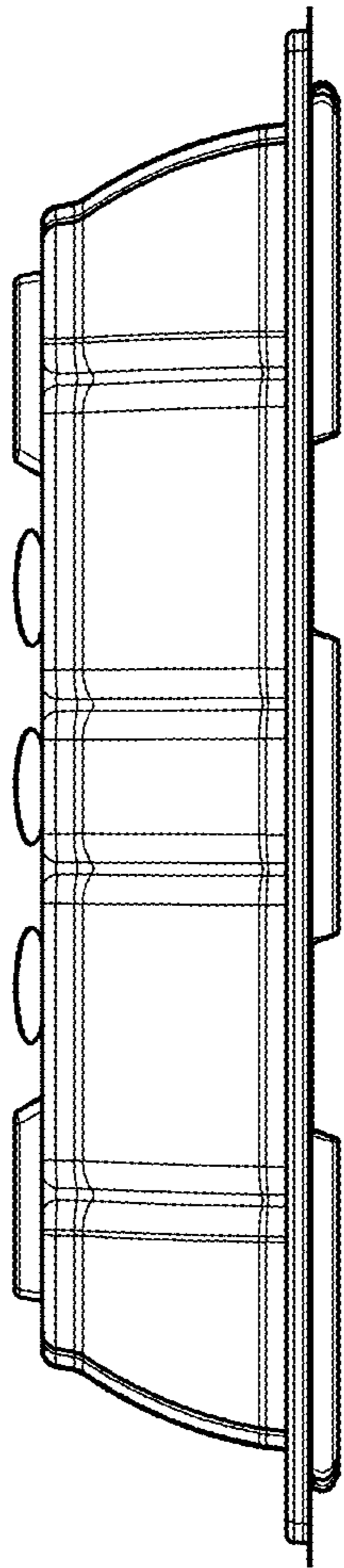


FIGURE 12

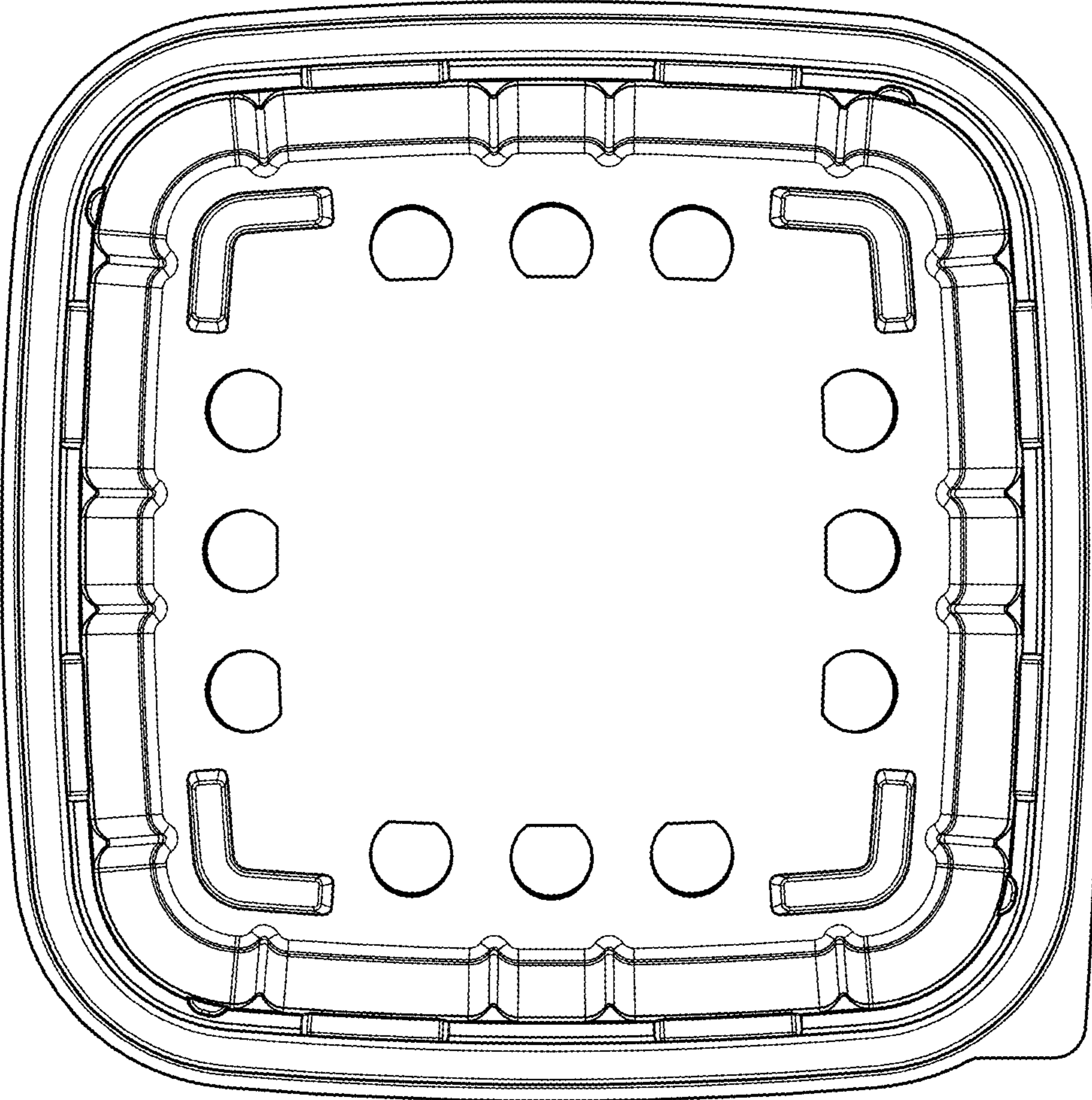


FIGURE 13

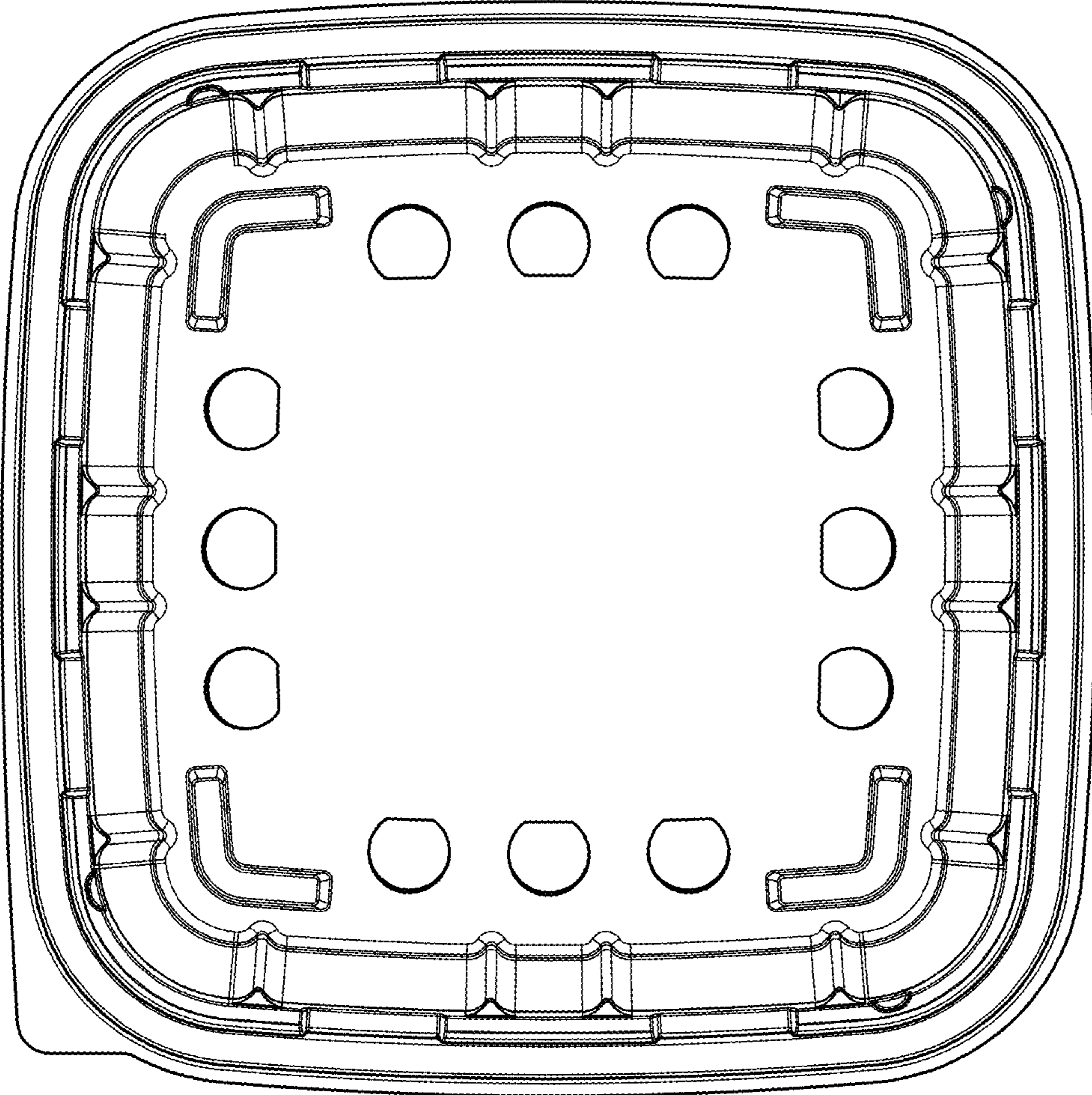


FIGURE 14



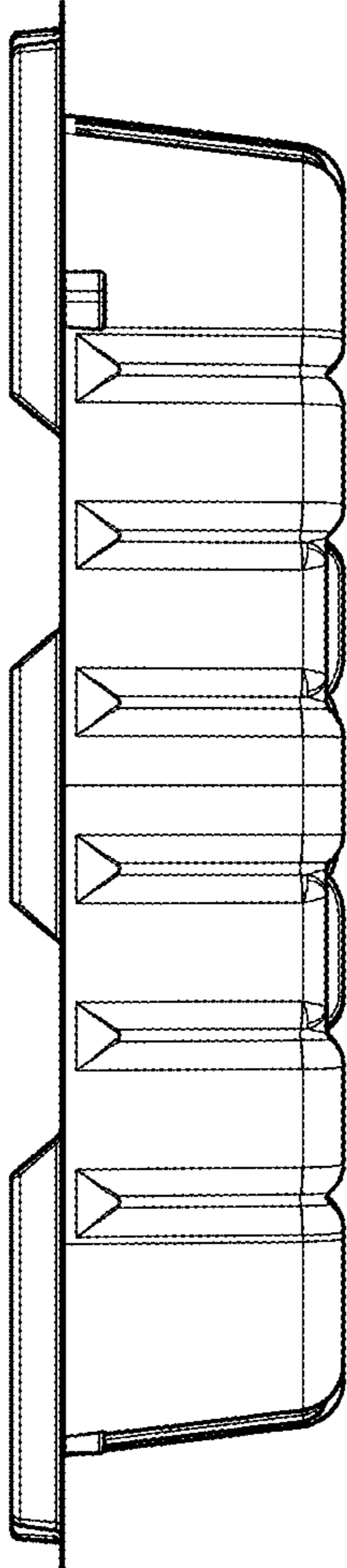


FIGURE 15

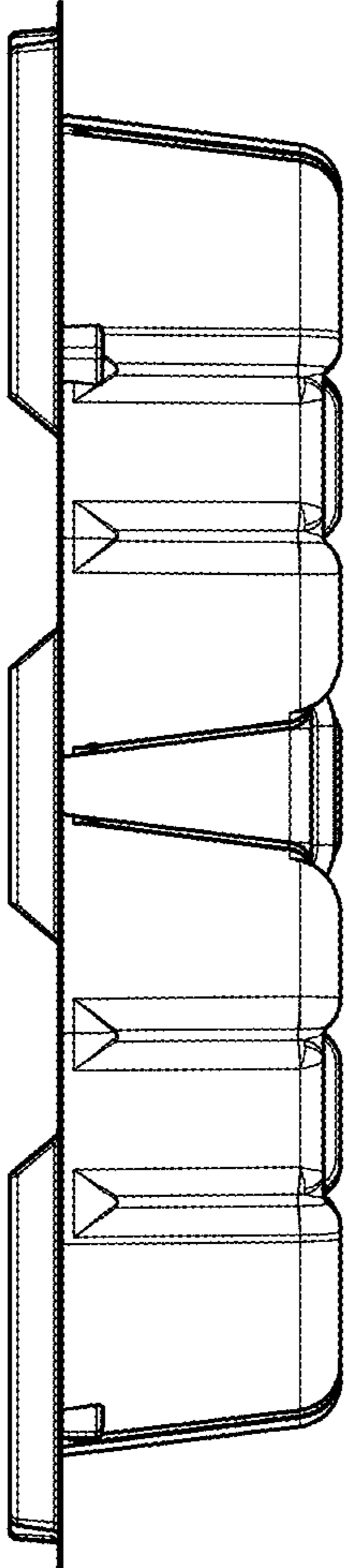


FIGURE 16

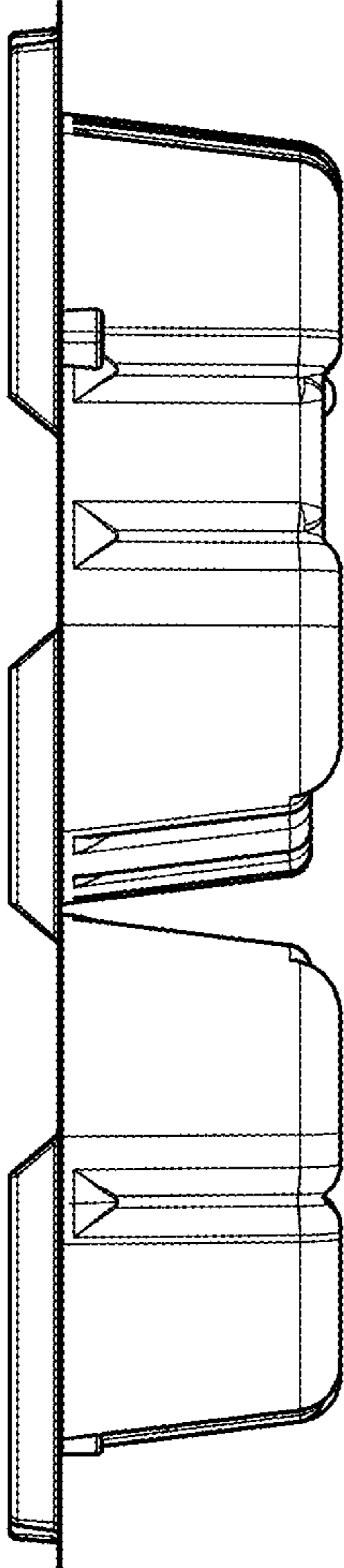


FIGURE 17

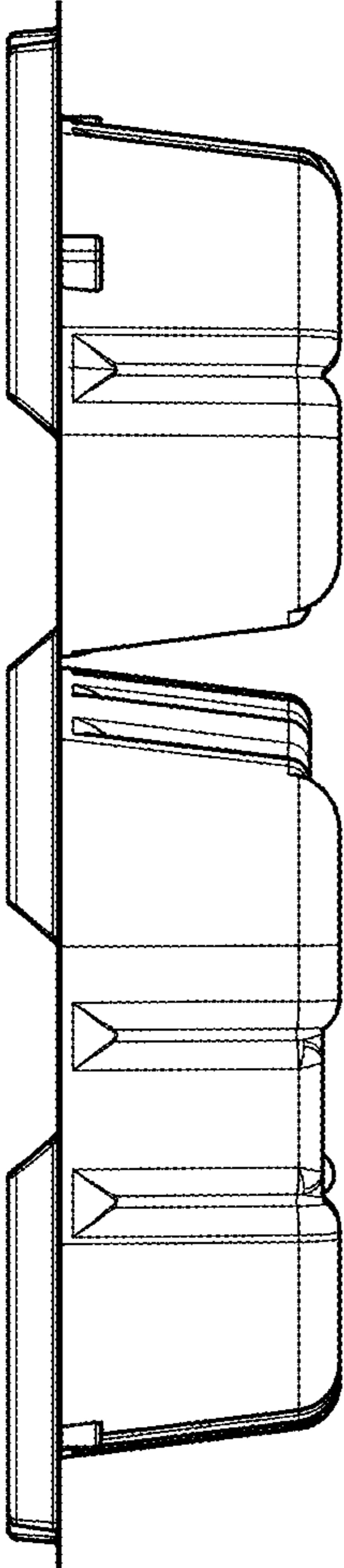


FIGURE 18

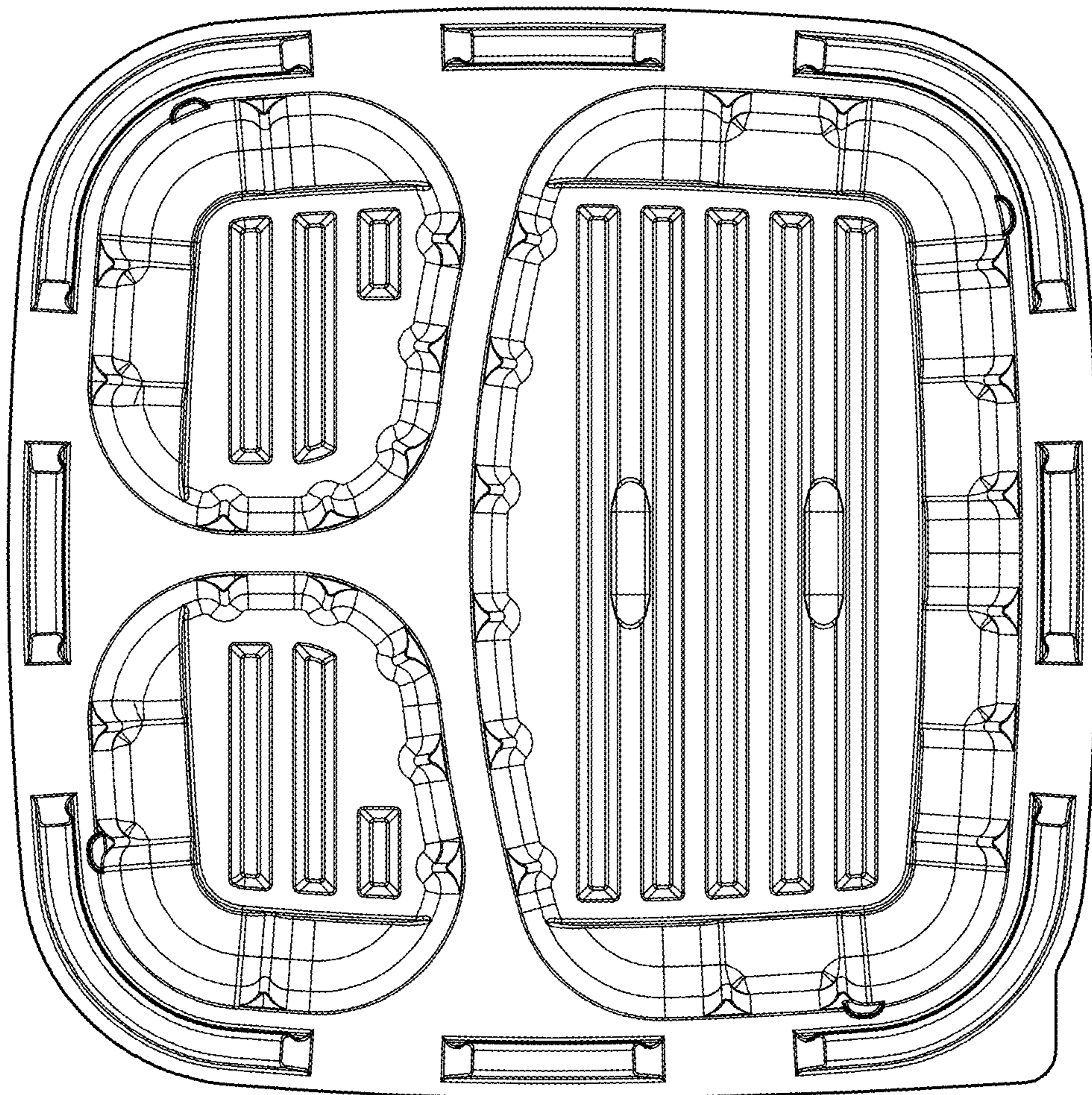


FIGURE 19

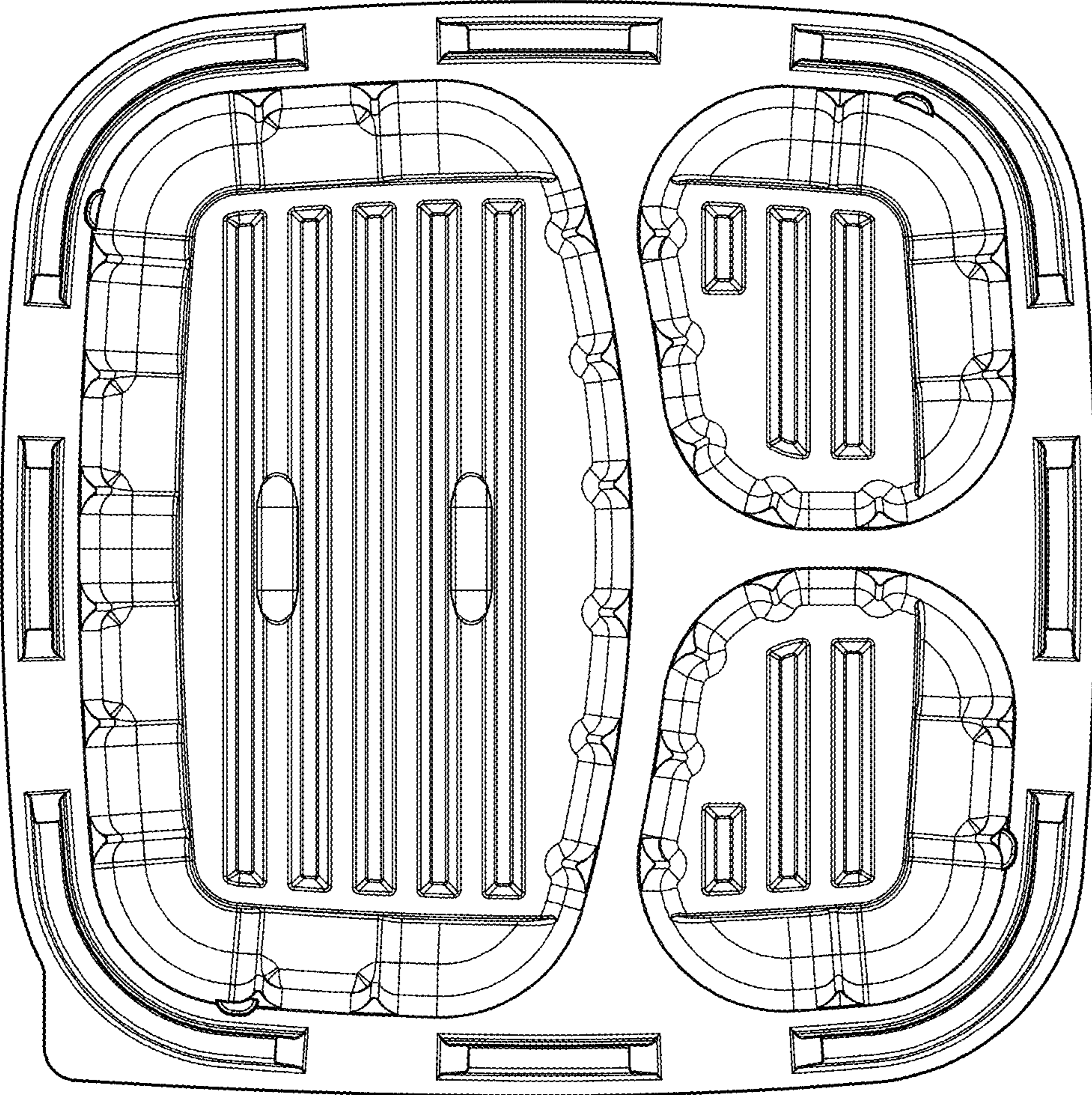


FIGURE 20