



US00D914517S

(12) **United States Design Patent**
David et al.

(10) **Patent No.:** **US D914,517 S**
(45) **Date of Patent:** **** Mar. 30, 2021**

(54) **PACKAGING WITH ELECTRONIC DEVICES**

DESCRIPTION

- (71) Applicant: **Apple Inc.**, Cupertino, CA (US)
- (72) Inventors: **Ryan David**, Escondido, CA (US);
Hseh Tjun Tereave Lim, San Jose, CA (US);
Benjamin Arthur Stevenson, Oakland, CA (US);
Mark T. Uyeda, Campbell, CA (US)
- (73) Assignee: **Apple Inc.**, Cupertino, CA (US)
- (**) Term: **15 Years**
- (21) Appl. No.: **29/684,485**
- (22) Filed: **Mar. 21, 2019**

Related U.S. Application Data

- (63) Continuation of application No. 29/663,174, filed on Sep. 12, 2018.
- (51) **LOC (13) Cl.** **09-03**
- (52) **U.S. Cl.**
USPC **D9/737**
- (58) **Field of Classification Search**
USPC D9/737, 756, 759, 761, 503, 504, 414,
D9/424-426, 430, 432; D7/538, 541,
(Continued)

References Cited

U.S. PATENT DOCUMENTS

- 6,830,149 B2 * 12/2004 Merboth A01N 1/02
206/438
- D509,147 S * 9/2005 Selby D9/715
(Continued)

Primary Examiner — W. A. Teddy Falloway
(74) *Attorney, Agent, or Firm* — Sterne, Kessler,
Goldstein & Fox P.L.L.C.

CLAIM

The ornamental design for packaging with electronic devices, as shown and described.

FIG. 1 is an exploded top front perspective view of packaging with electronic devices showing the claimed design; FIG. 2 is a top front perspective view of a component of the packaging with electronic devices of FIG. 1, shown separately for clarity of illustration; FIG. 3 is a front view thereof; FIG. 4 is a rear view thereof; FIG. 5 is a left side view thereof; FIG. 6 is a right side view thereof; FIG. 7 is a top view thereof; FIG. 8 is a bottom view thereof; FIG. 9 is a top front perspective view of another component of the packaging with electronic devices of FIG. 1, shown separately for clarity of illustration; FIG. 10 is a front view thereof; FIG. 11 is a rear view thereof; FIG. 12 is a left side view thereof; FIG. 13 is a right side view thereof; FIG. 14 is a top view thereof; FIG. 15 is a bottom view thereof; FIG. 16 is a top front perspective view of another component of the packaging with electronic devices of FIG. 1, shown separately for clarity of illustration; FIG. 17 is a front view thereof; FIG. 18 is a rear view thereof; FIG. 19 is a left side view thereof; FIG. 20 is a right side view thereof; FIG. 21 is a top view thereof; FIG. 22 is a bottom view thereof; FIG. 23 is a top front perspective view of another component of the packaging with electronic devices of FIG. 1, shown separately for clarity of illustration; FIG. 24 is a front view thereof; FIG. 25 is a rear view thereof; FIG. 26 is a left side view thereof; FIG. 27 is a right side view thereof; FIG. 28 is a top view thereof; FIG. 29 is a bottom view thereof; FIG. 30 is a top front perspective view of another component of the packaging with electronic devices of FIG. 1, shown separately for clarity of illustration;

(Continued)

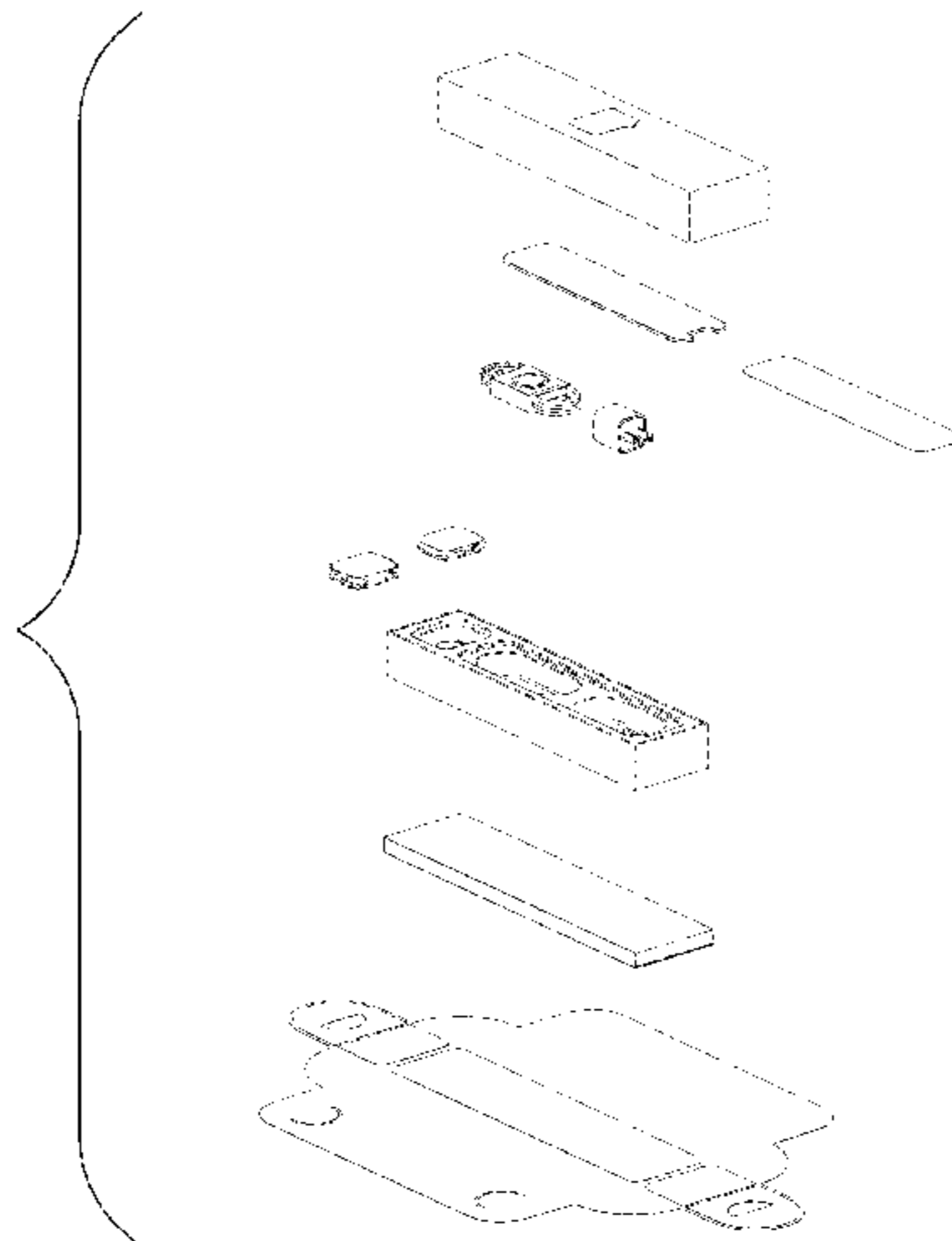


FIG. 31 is a front view thereof;
 FIG. 32 is a rear view thereof;
 FIG. 33 is a left side view thereof;
 FIG. 34 is a right side view thereof;
 FIG. 35 is a top view thereof;
 FIG. 36 is a bottom view thereof;
 FIG. 37 is a top front perspective view of another component of the packaging with electronic devices of FIG. 1, shown separately for clarity of illustration;
 FIG. 38 is a front view thereof;
 FIG. 39 is a rear view thereof;
 FIG. 40 is a left side view thereof;
 FIG. 41 is a right side view thereof;
 FIG. 42 is a top view thereof;
 FIG. 43 is a bottom view thereof;
 FIG. 44 is a top front perspective view of another component of the packaging with electronic devices of FIG. 1, shown separately for clarity of illustration;
 FIG. 45 is a front view thereof;
 FIG. 46 is a rear view thereof;
 FIG. 47 is a left side view thereof;
 FIG. 48 is a right side view thereof;
 FIG. 49 is a top view thereof;
 FIG. 50 is a bottom view thereof;
 FIG. 51 is a top front perspective view of another component of the packaging with electronic devices of FIG. 1, shown separately for clarity of illustration;
 FIG. 52 is a front view thereof;
 FIG. 53 is a rear view thereof;
 FIG. 54 is a left side view thereof;
 FIG. 55 is a right side view thereof;
 FIG. 56 is a top view thereof;
 FIG. 57 is a bottom view thereof;
 FIG. 58 is a top front perspective view of another component of the packaging with electronic devices of FIG. 1, shown separately for clarity of illustration;
 FIG. 59 is a front view thereof;
 FIG. 60 is a rear view thereof;
 FIG. 61 is a left side view thereof;
 FIG. 62 is a right side view thereof;
 FIG. 63 is a top view thereof;
 FIG. 64 is a bottom view thereof;
 FIG. 65 is a top front perspective view of another component of the packaging with electronic devices of FIG. 1, shown separately for clarity of illustration;
 FIG. 66 is a front view thereof;
 FIG. 67 is a rear view thereof;
 FIG. 68 is a left side view thereof;
 FIG. 69 is a right side view thereof;
 FIG. 70 is a top view thereof;
 FIG. 71 is a bottom view thereof;

FIG. 72 is a top front perspective view of the packaging with electronic devices of FIG. 1, shown in an assembled configuration;
 FIG. 73 is a front view thereof;
 FIG. 74 is a rear view thereof;
 FIG. 75 is a left side view thereof;
 FIG. 76 is a right side view thereof;
 FIG. 77 is a top view thereof; and,
 FIG. 78 is a bottom view thereof.

1 Claim, 12 Drawing Sheets

(58) **Field of Classification Search**

USPC D7/542, 553.1–553.3, 553.7, 555, 557, D7/701, 703, 708, 602, 629; D3/203.3, D3/273, 283, 294, 295, 310, 313; D24/226, 227, 229; 229/120.02, 120.07, 229/406, 407, 904, 906; 220/500, 507, 220/508, 553, 555, 556; 206/521.1, 206/521.15, 561, 443
 CPC B65D 5/503; B65D 81/133; B65D 2581/053; B65D 43/02; B65D 5/38; B65D 5/50; B65D 5/5038; B65D 5/5061; B65D 65/38; B65D 73/0078; B65D 77/046; B65D 81/05; B65D 85/00; A61B 2050/3006; A61B 50/20; A61B 50/30; A61B 50/33; B29L 2031/712

See application file for complete search history.

(56) **References Cited**

U.S. PATENT DOCUMENTS

D558,571	S	1/2008	Andre et al.	
D596,485	S	7/2009	Andre et al.	
D620,795	S	8/2010	Andre et al.	
D704,072	S	* 5/2014	Akana	D9/721
D704,073	S	* 5/2014	Akana	D9/721
D709,364	S	* 7/2014	Olsson	D9/432
D712,748	S	* 9/2014	Akana	D9/721
D713,738	S	* 9/2014	Akana	D9/721
D713,739	S	* 9/2014	Akana	D9/721
D713,740	S	* 9/2014	Akana	D9/721
D768,008	S	10/2016	Akana et al.	
D800,549	S	* 10/2017	Delle Cese	D9/419
D802,414	S	* 11/2017	Delle Cese	D9/419
9,975,692	B2	* 5/2018	Pincus	B65D 5/50
10,384,827	B1	* 8/2019	Mehta	B65D 5/503
D883,802	S	* 5/2020	Meech	D9/748
2015/0375893	A1	* 12/2015	Korinek	B29C 51/264 493/90
2016/0264297	A1	* 9/2016	Cernokus	B65D 5/5061
2018/0263721	A1	* 9/2018	Volk	B65D 43/02
2020/0214341	A1	* 7/2020	McKenzie	B65D 5/0085

* cited by examiner

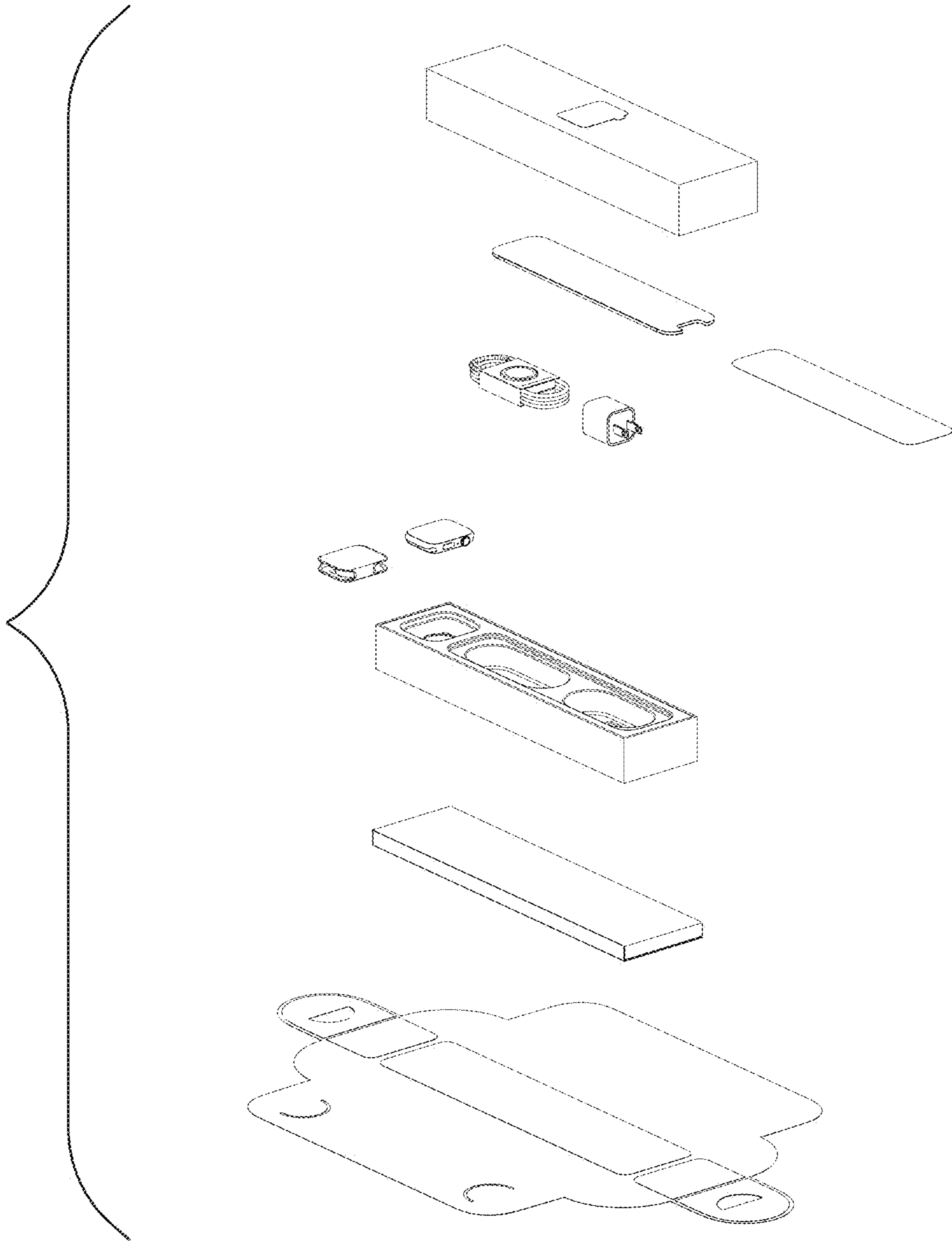


FIG. 1

FIG. 4

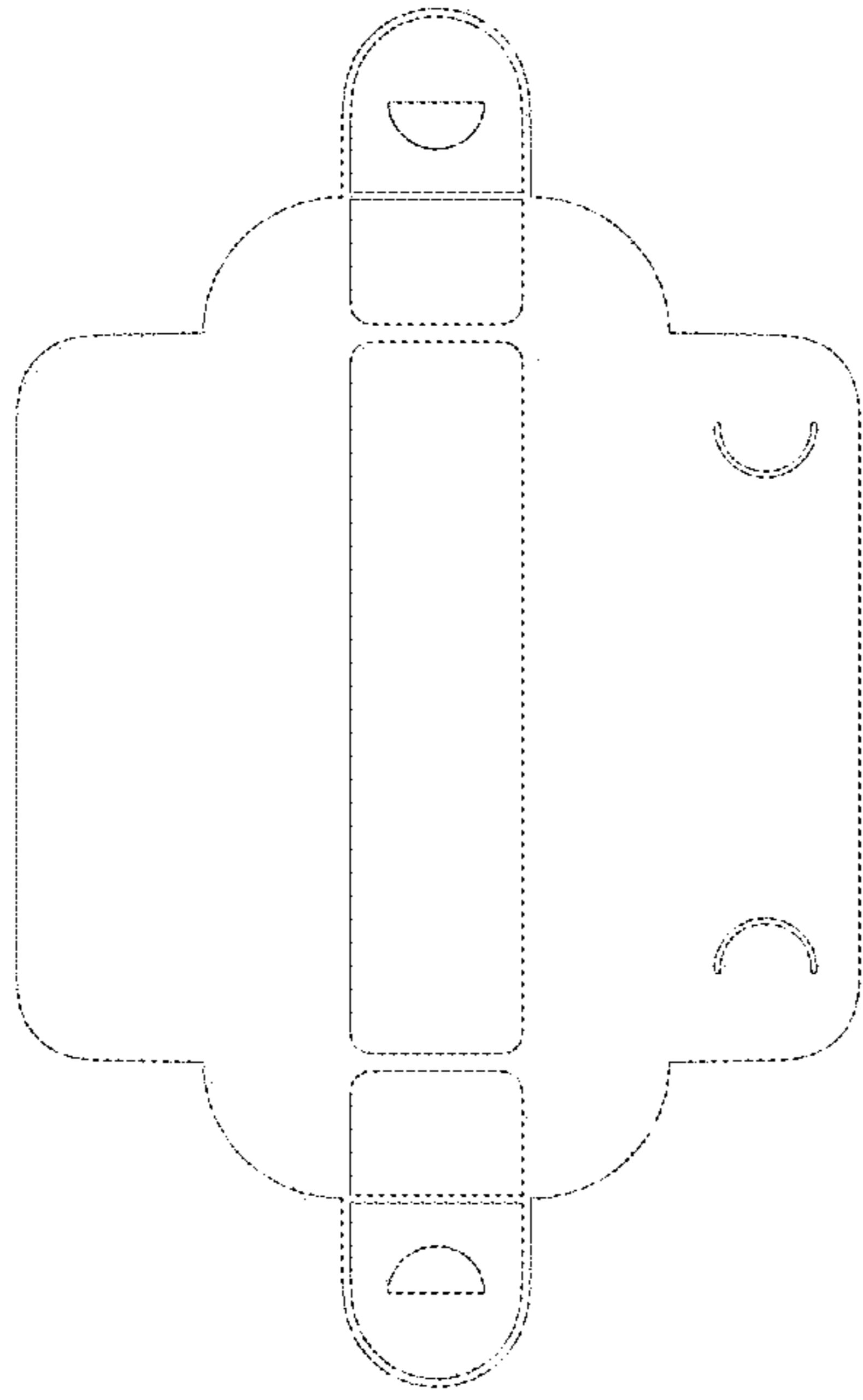


FIG. 7

FIG. 6

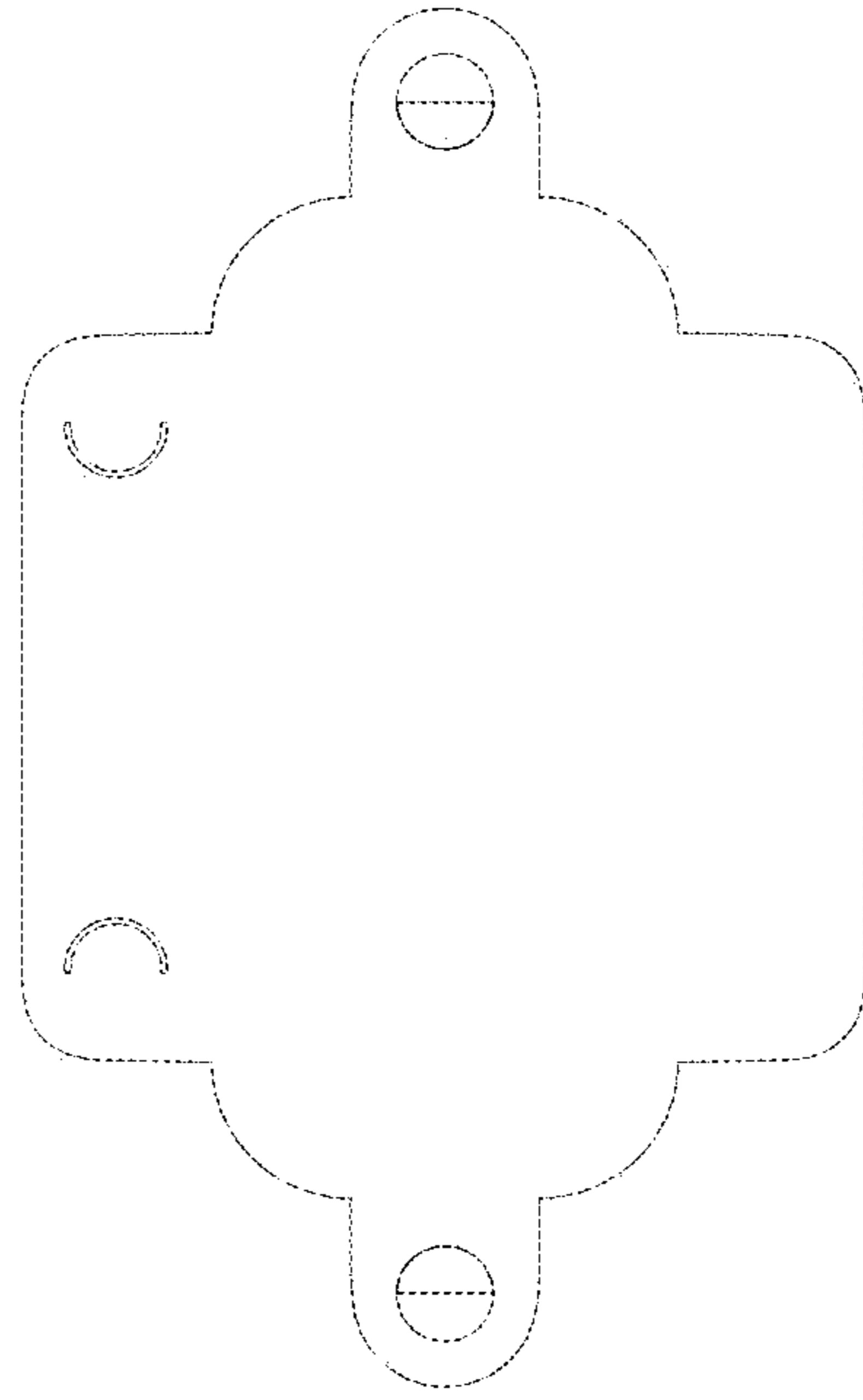


FIG. 8

FIG. 5

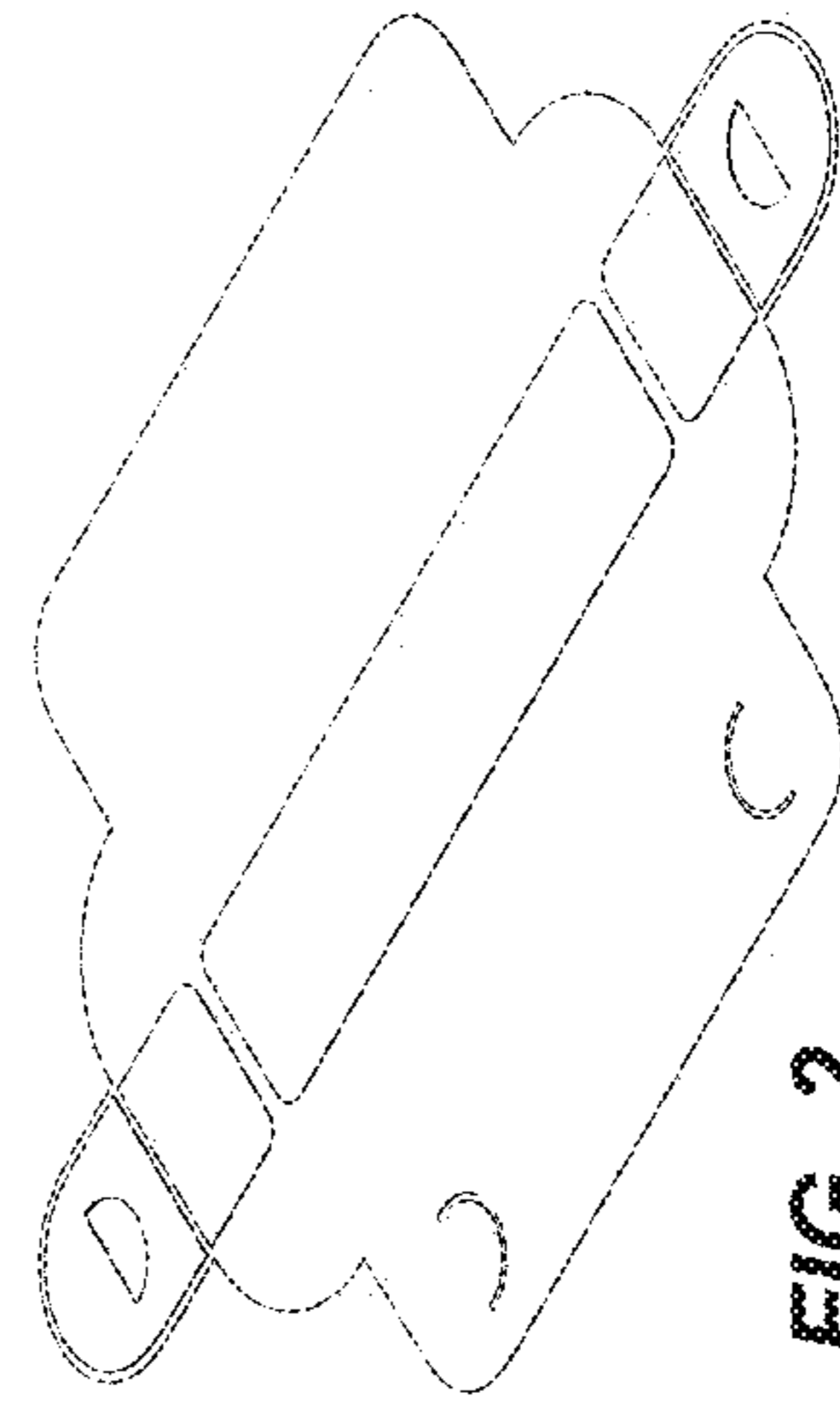


FIG. 2

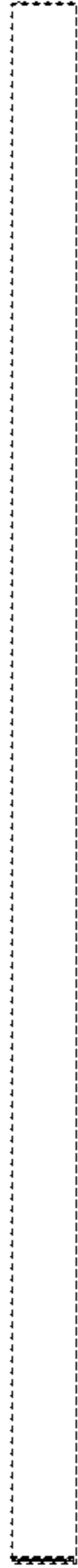


FIG. 11

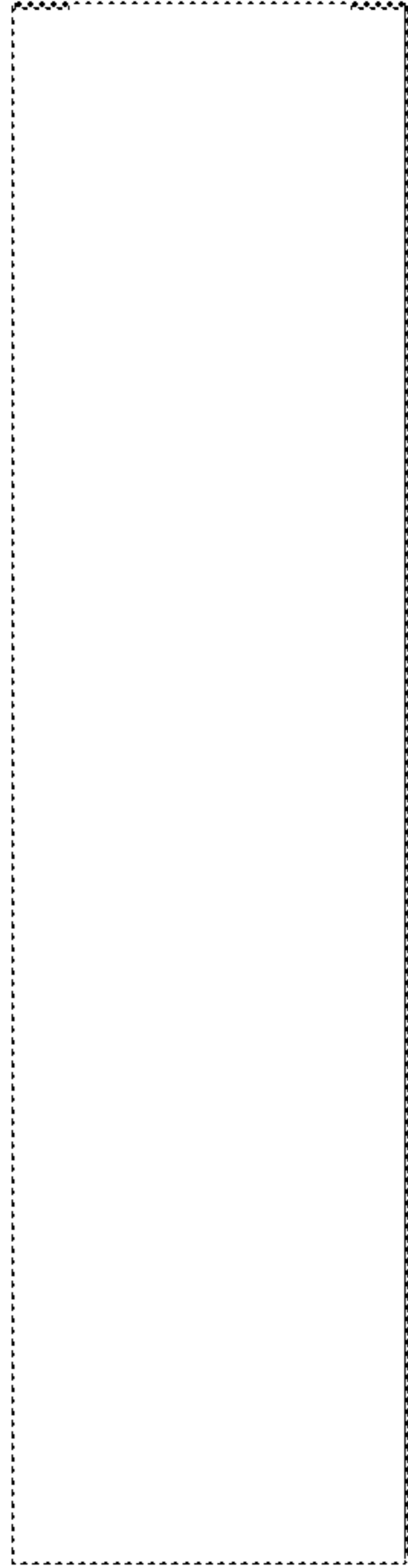


FIG. 14



FIG. 10



FIG. 13



FIG. 12

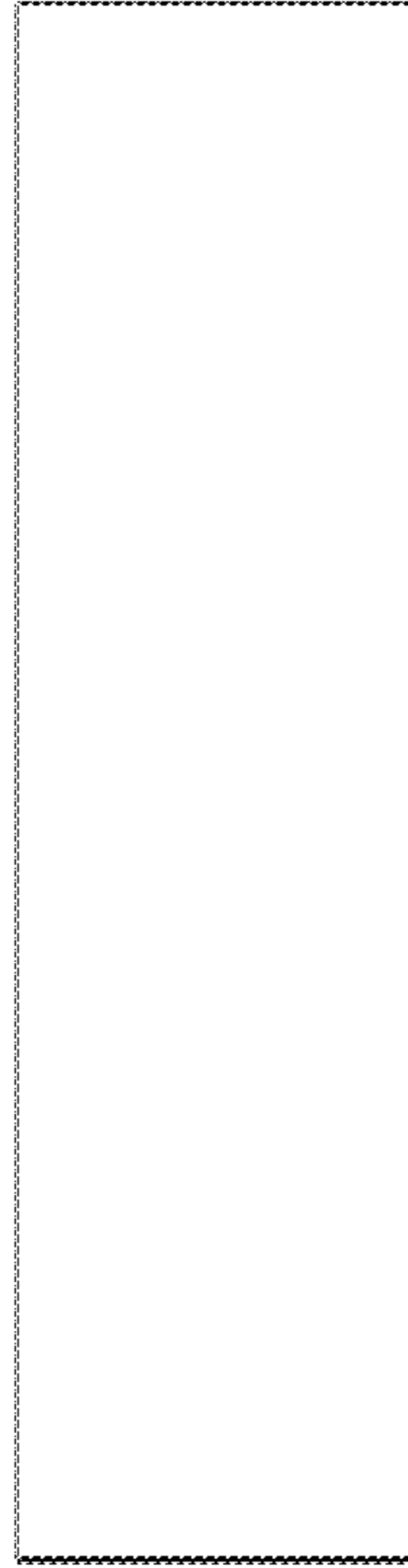


FIG. 15

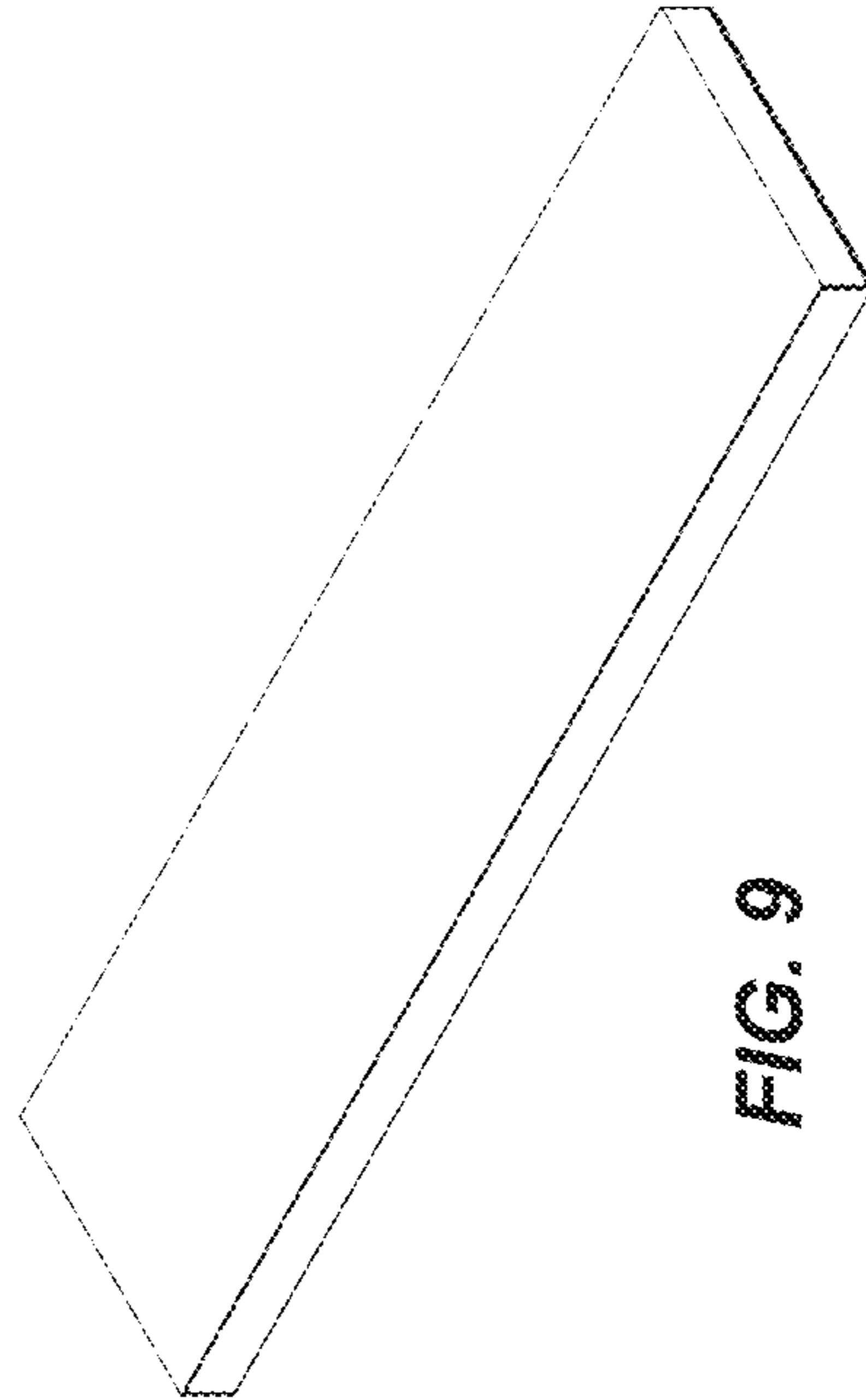


FIG. 9

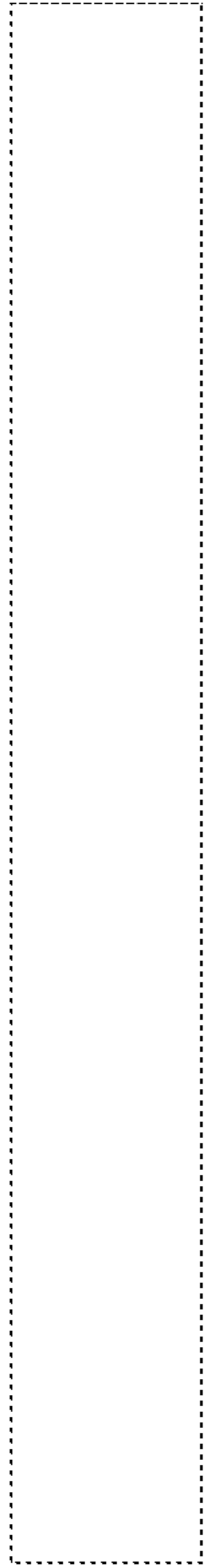


FIG. 18

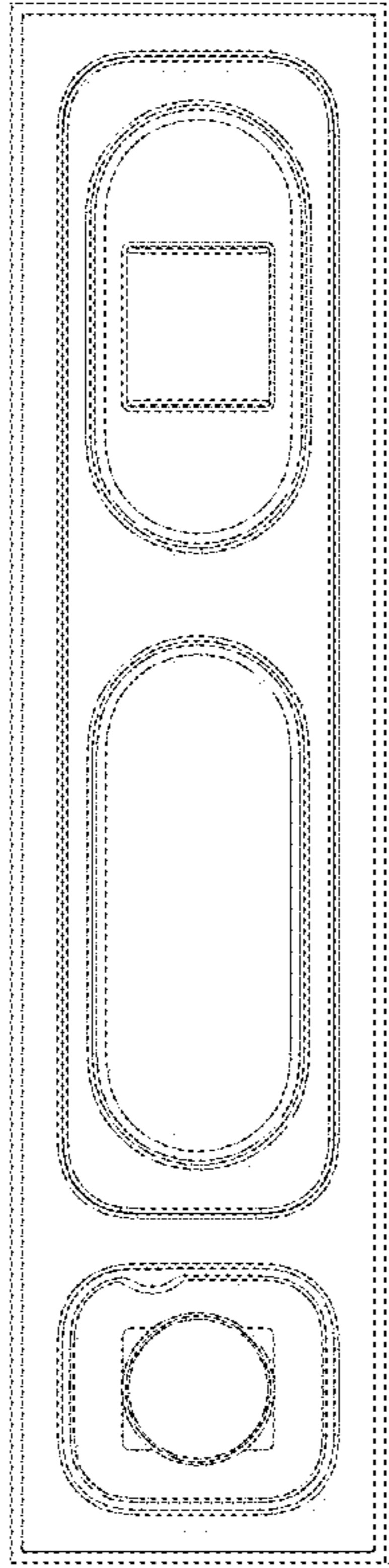


FIG. 21

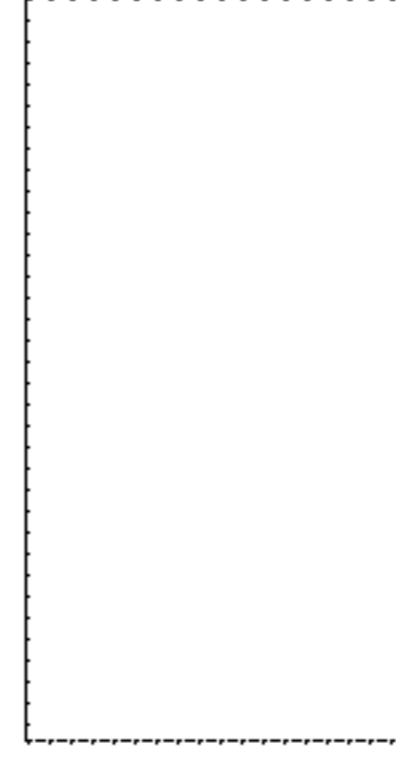


FIG. 20

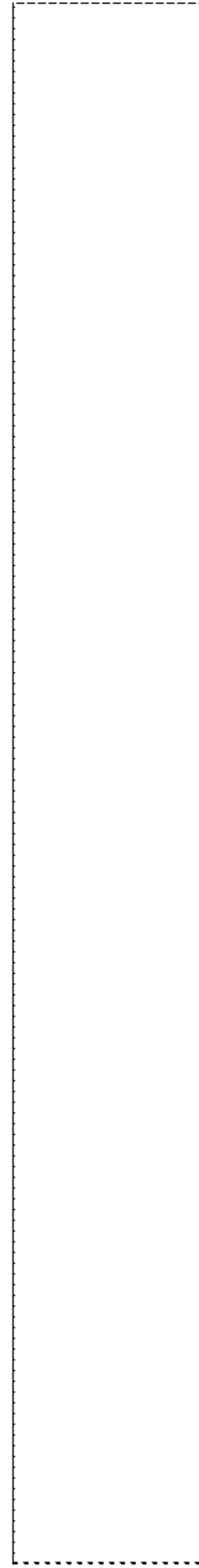


FIG. 17

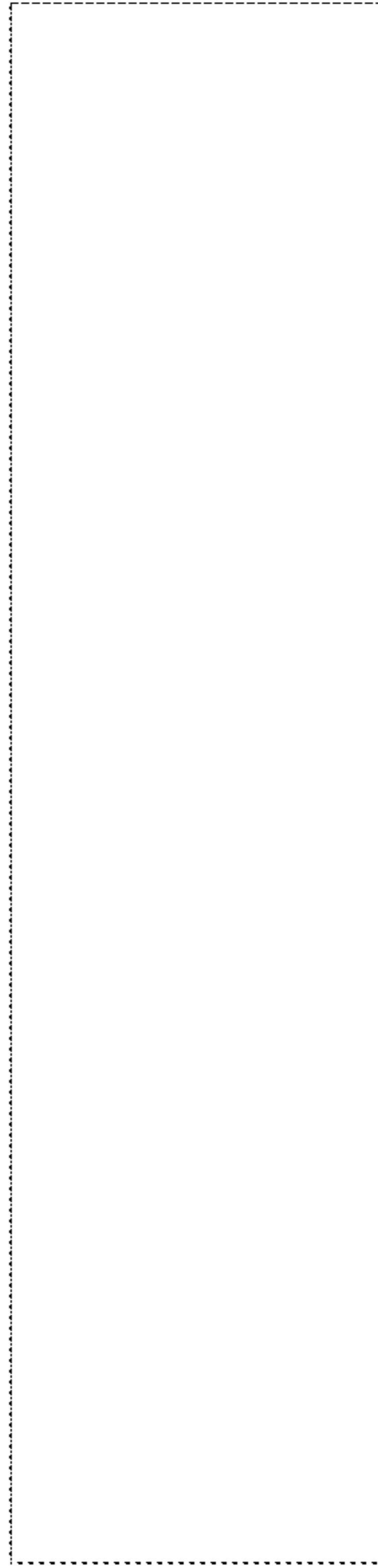


FIG. 22

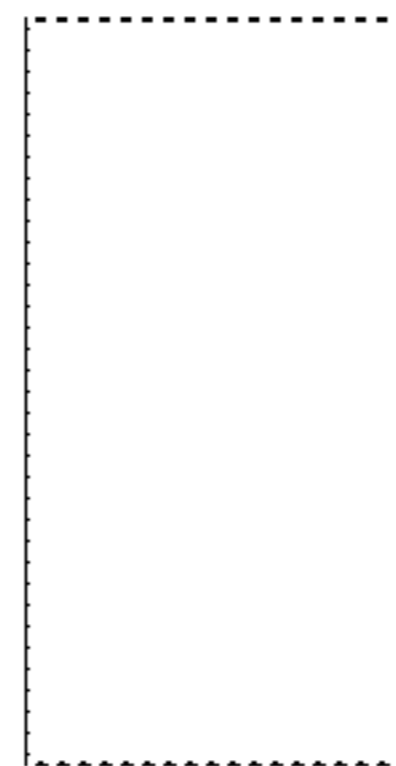


FIG. 19

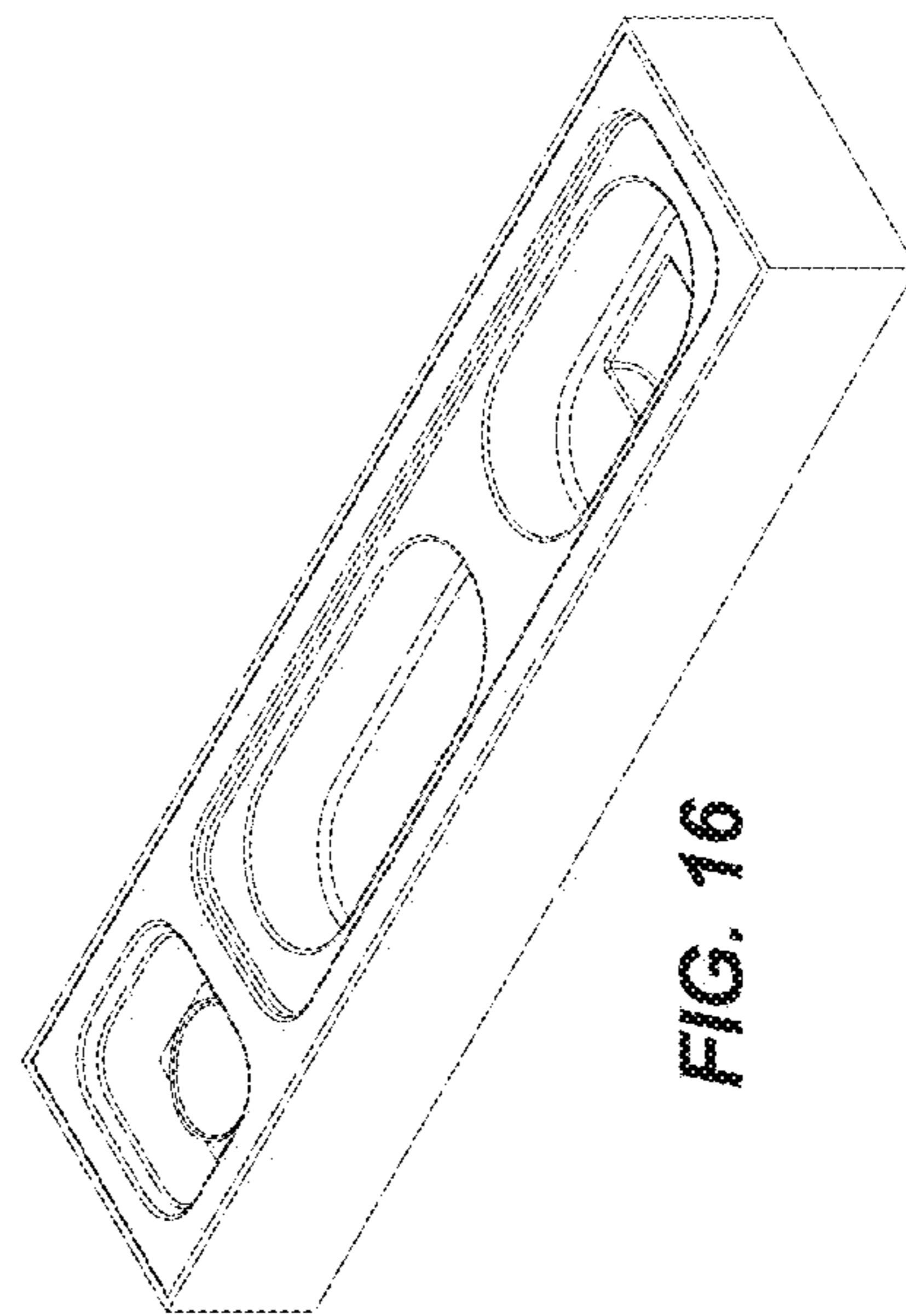


FIG. 16

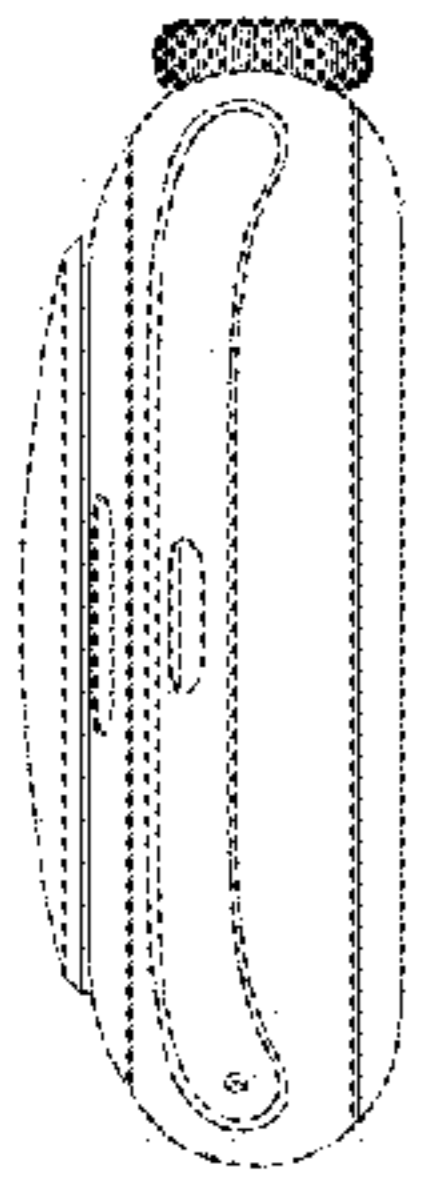


FIG. 25

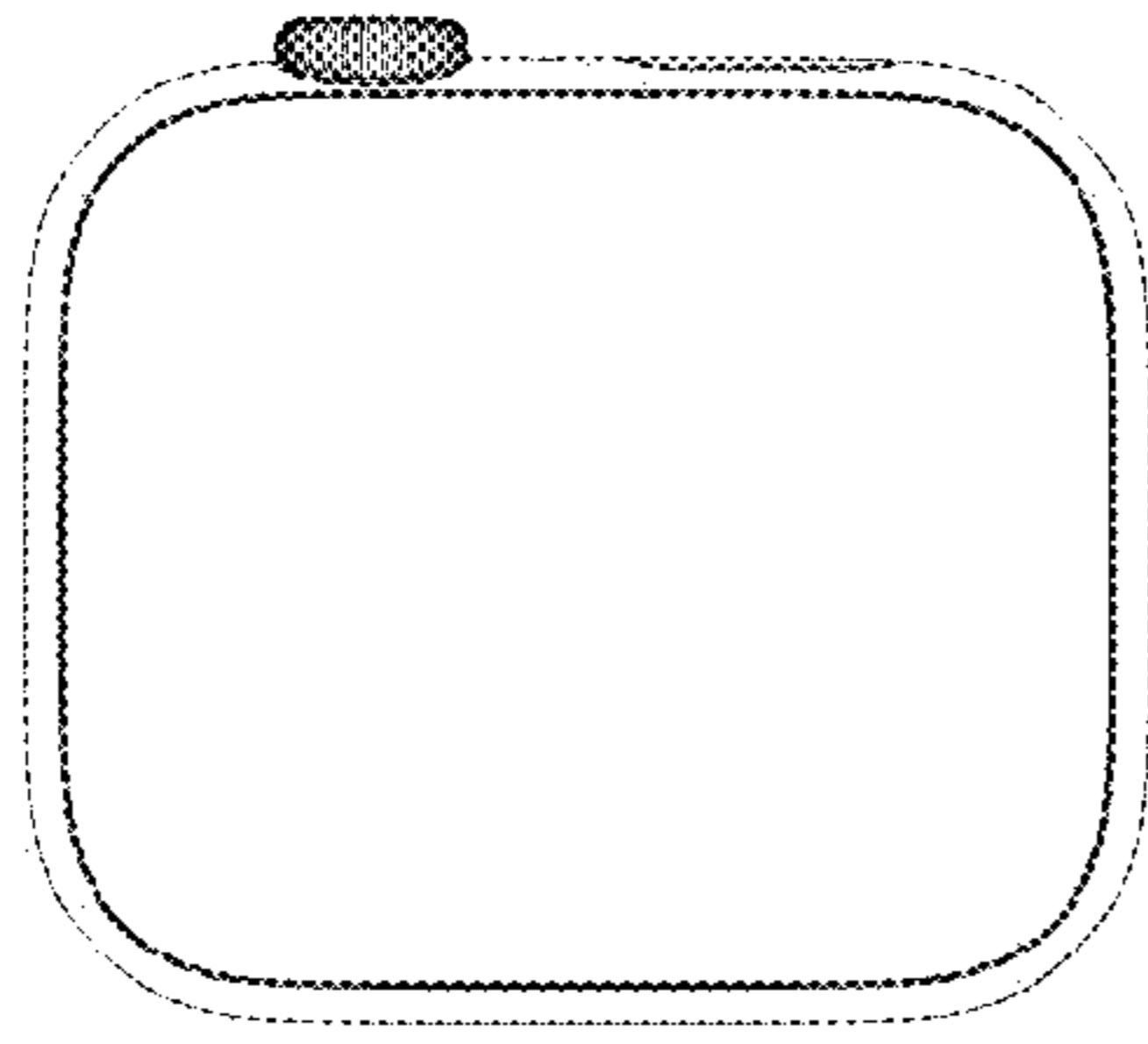


FIG. 28

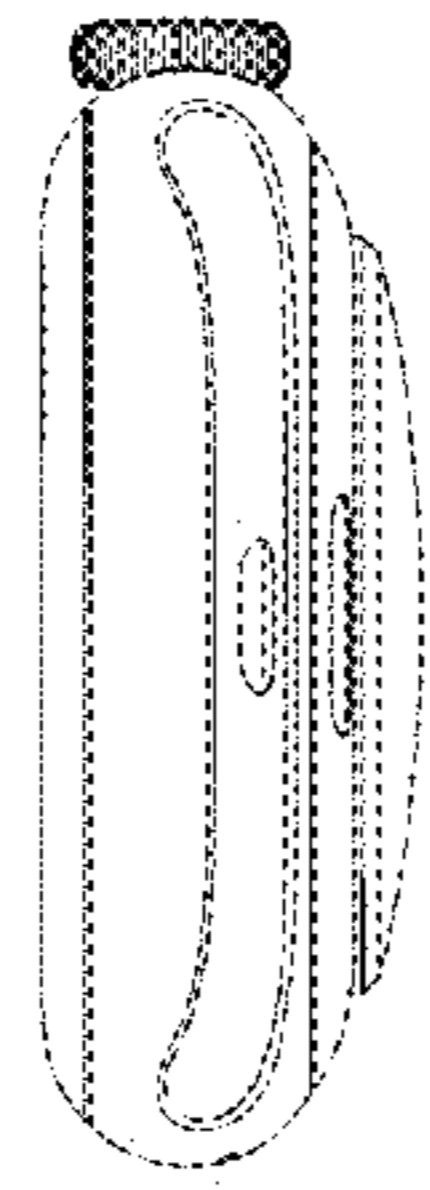


FIG. 24

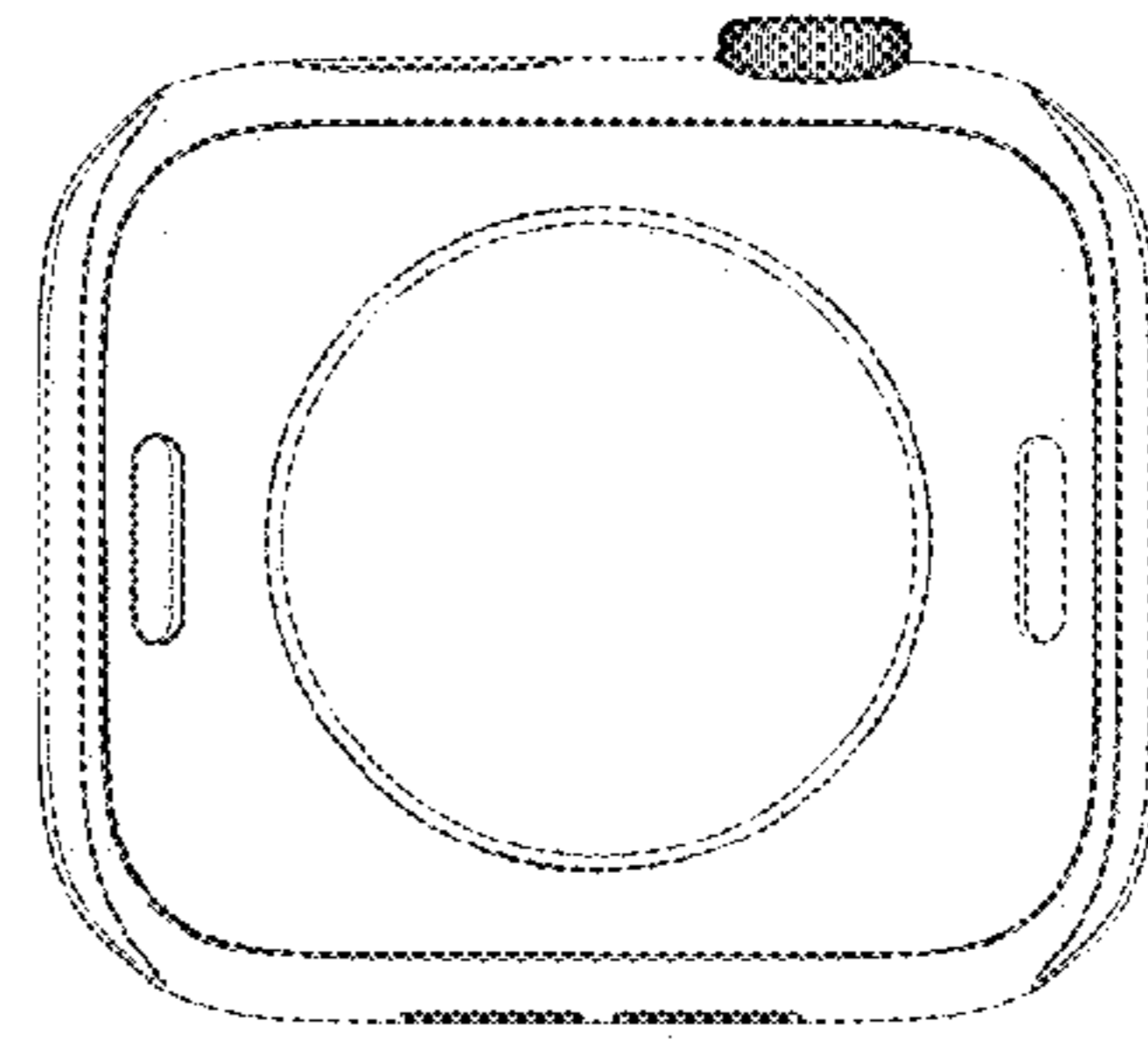


FIG. 29

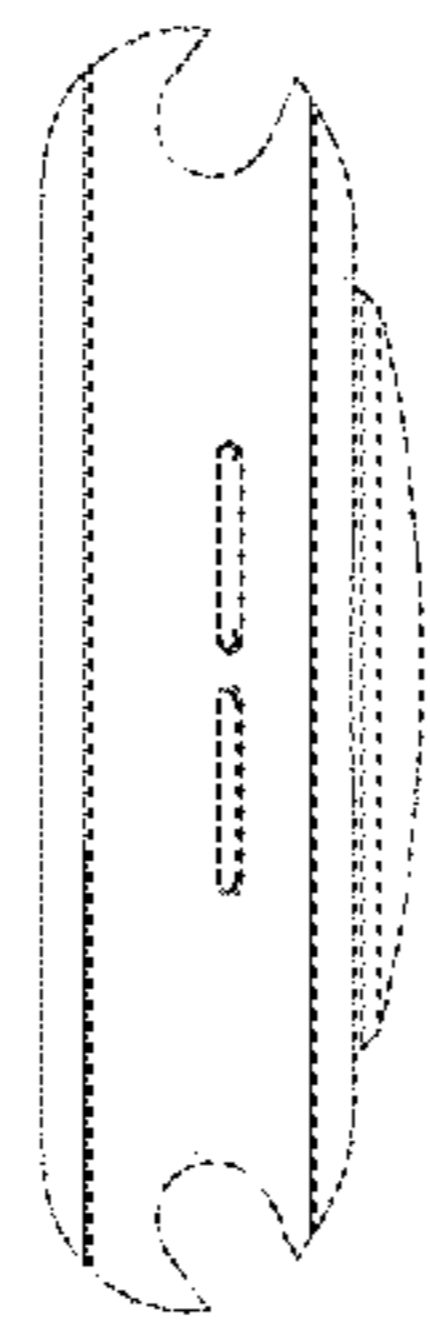


FIG. 26

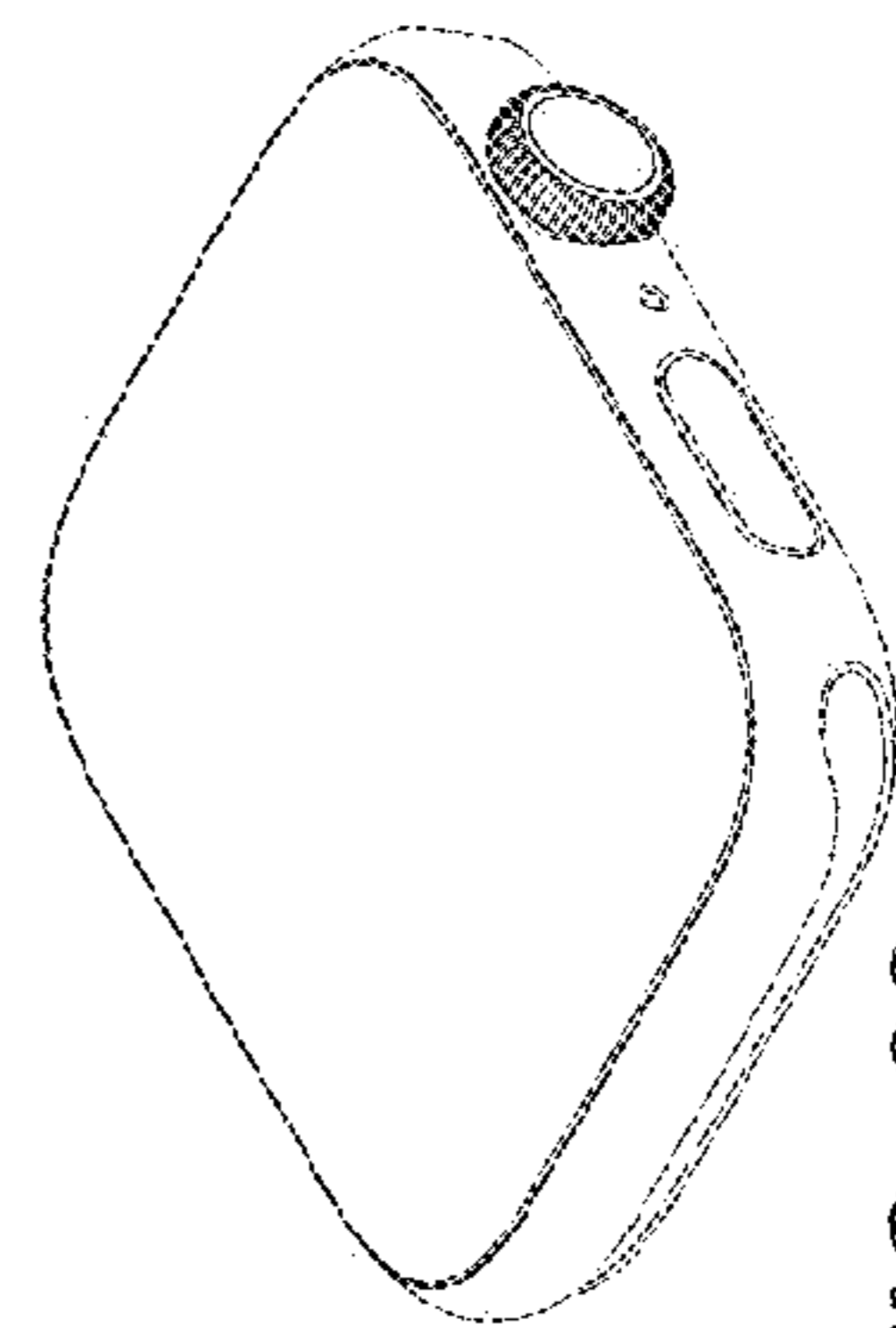


FIG. 23

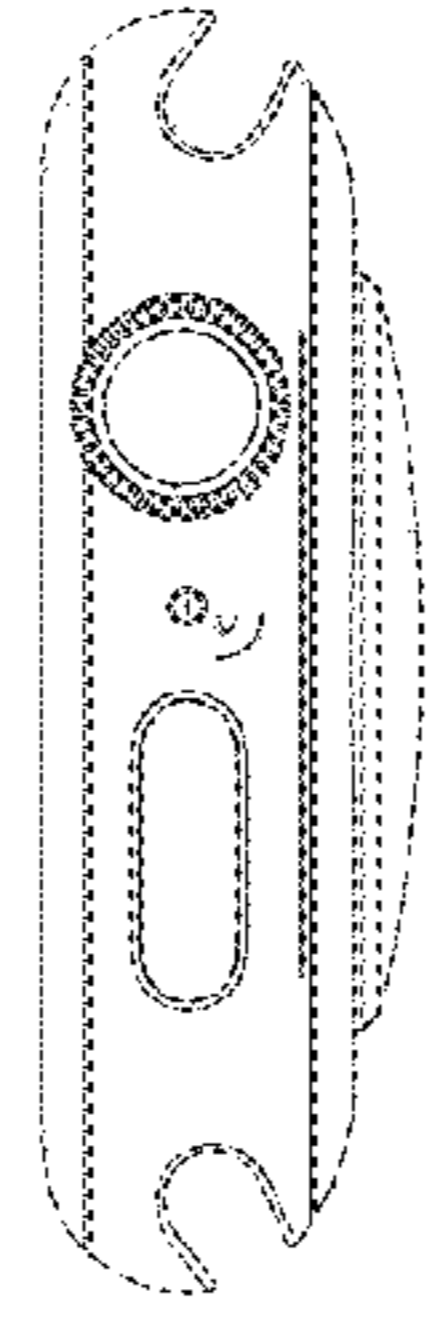


FIG. 27

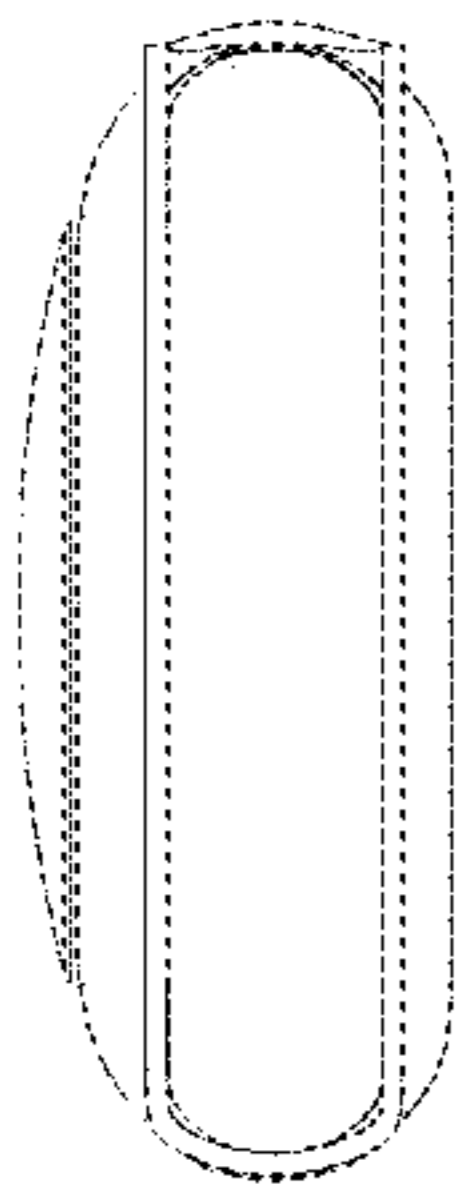


FIG. 32

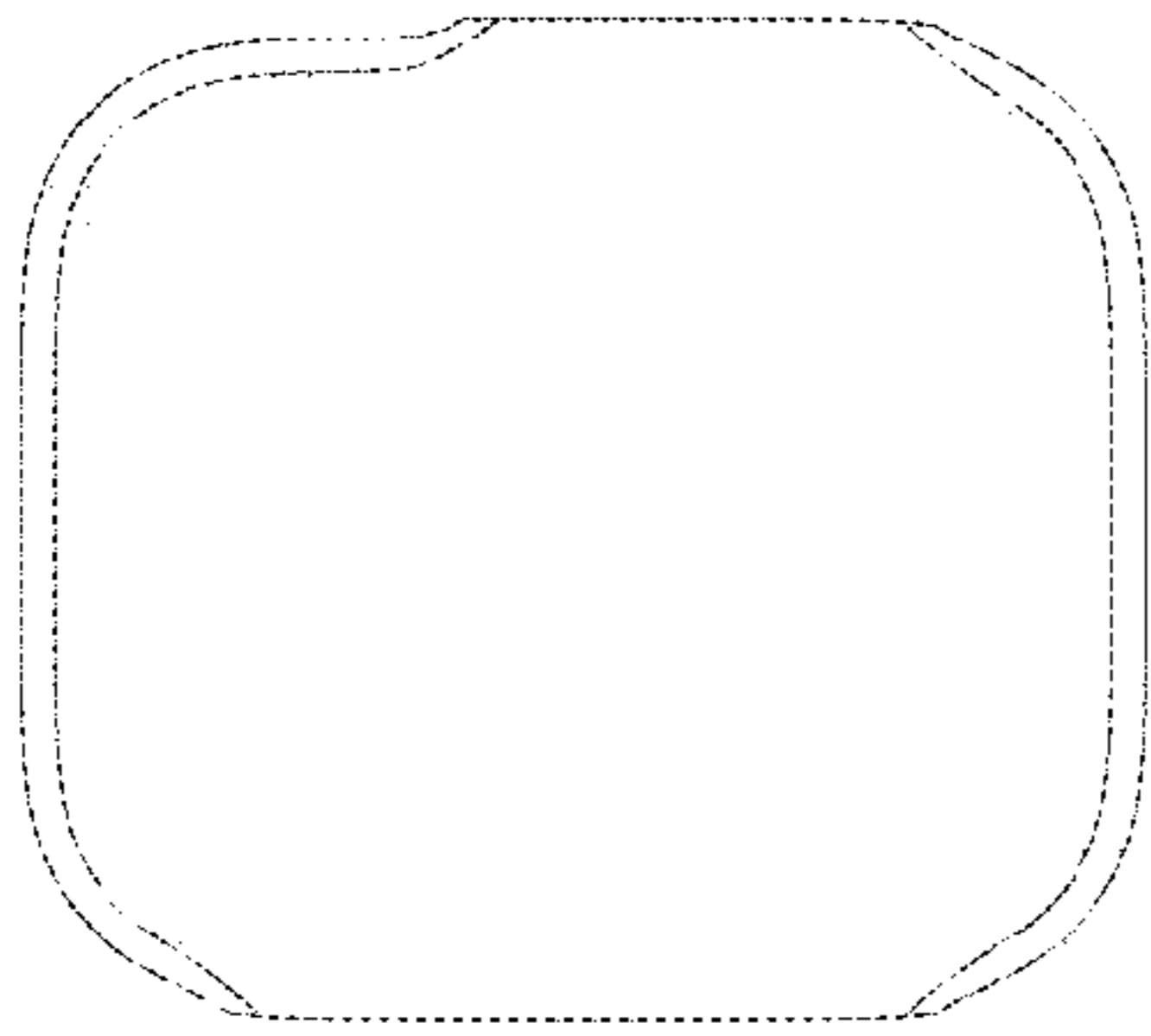


FIG. 35

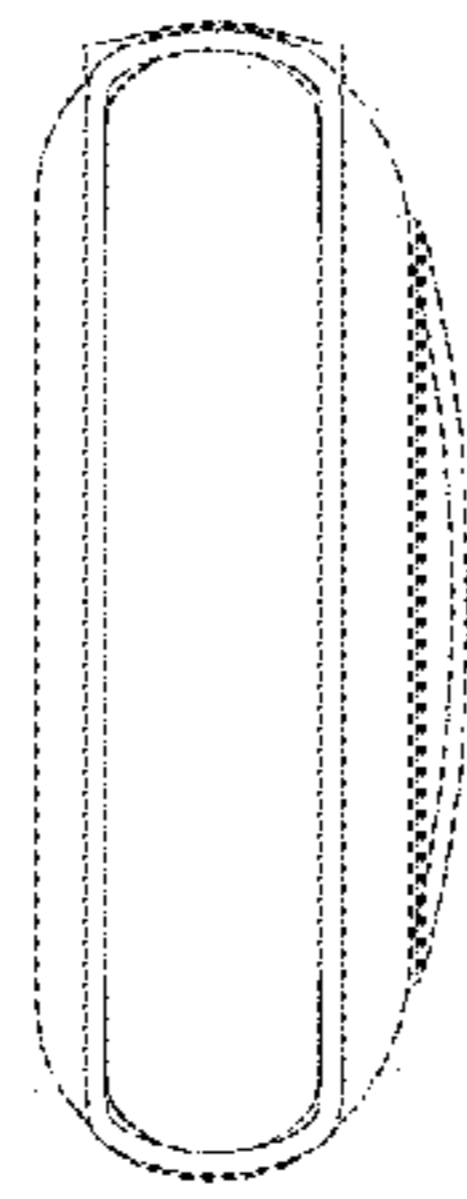


FIG. 31

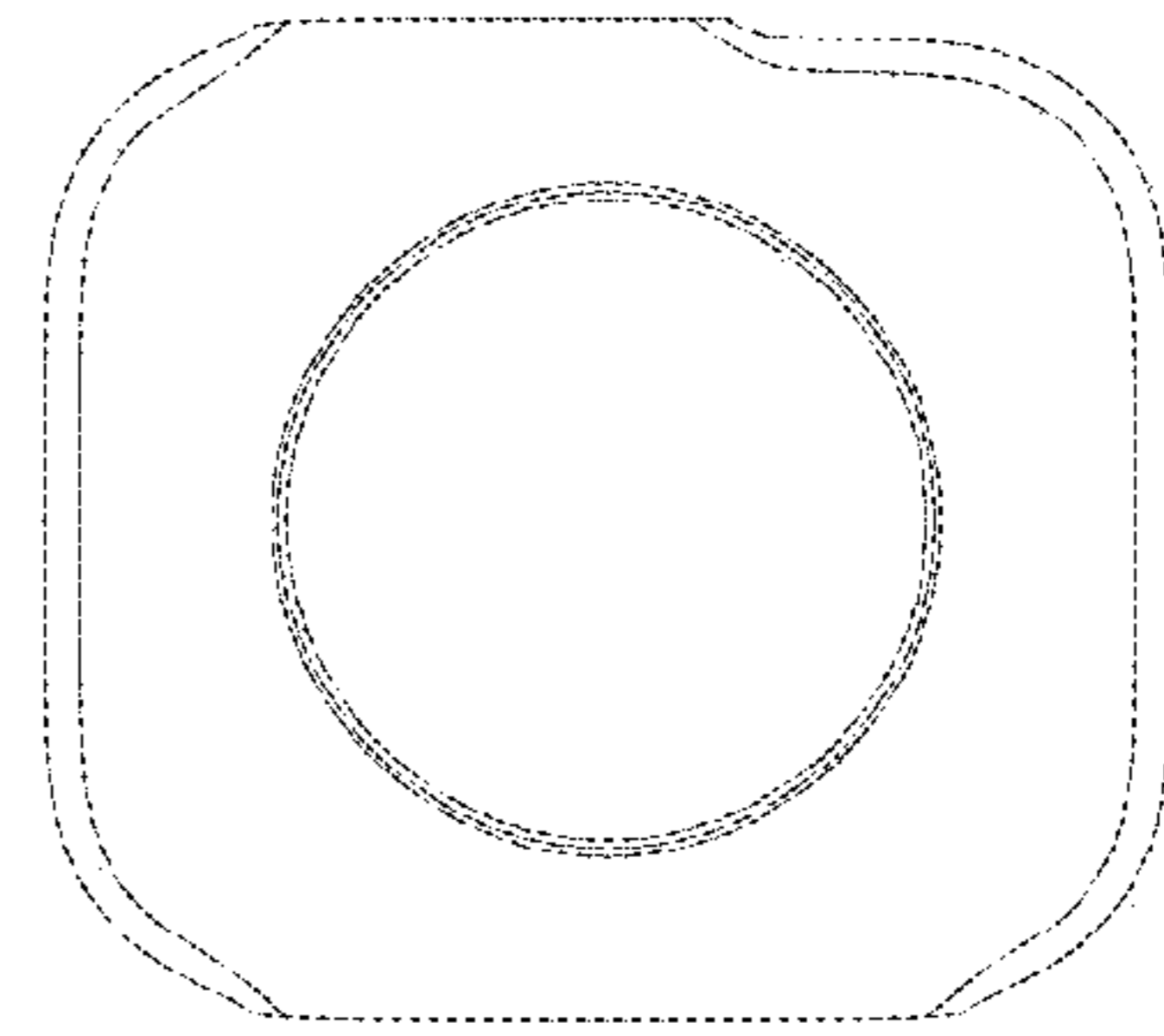


FIG. 36

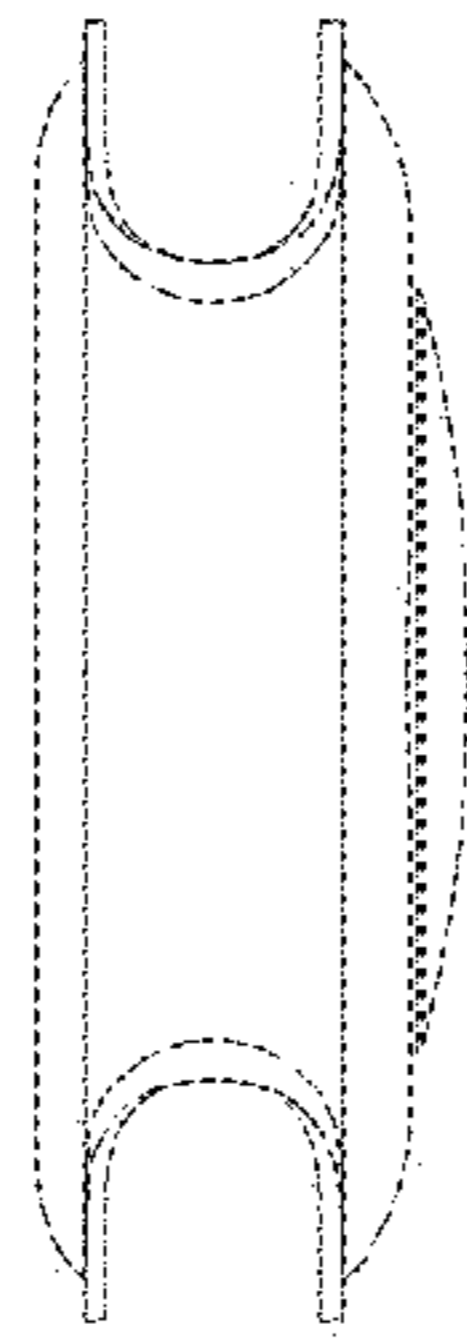


FIG. 33

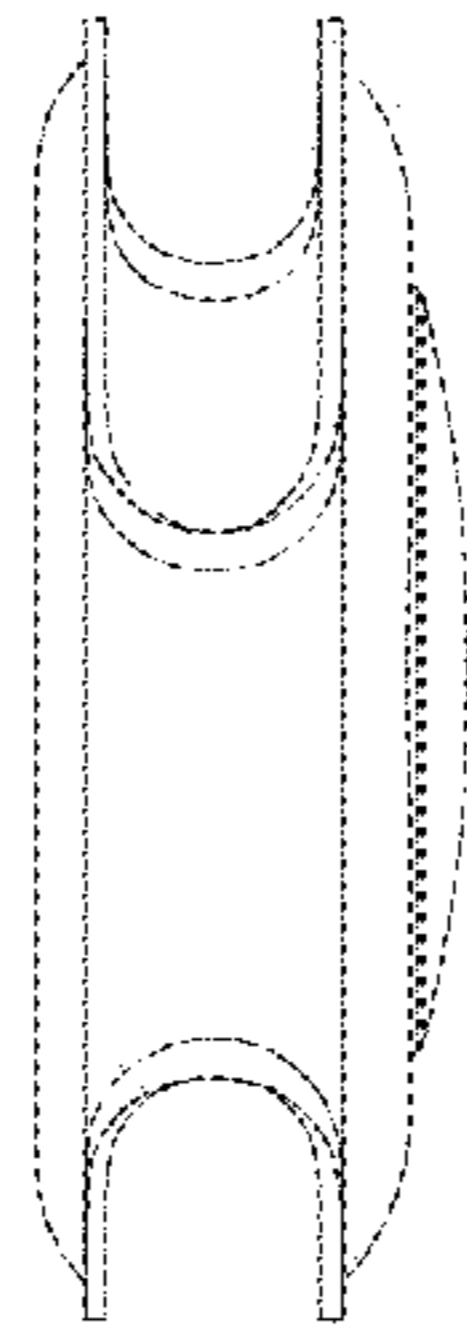


FIG. 34

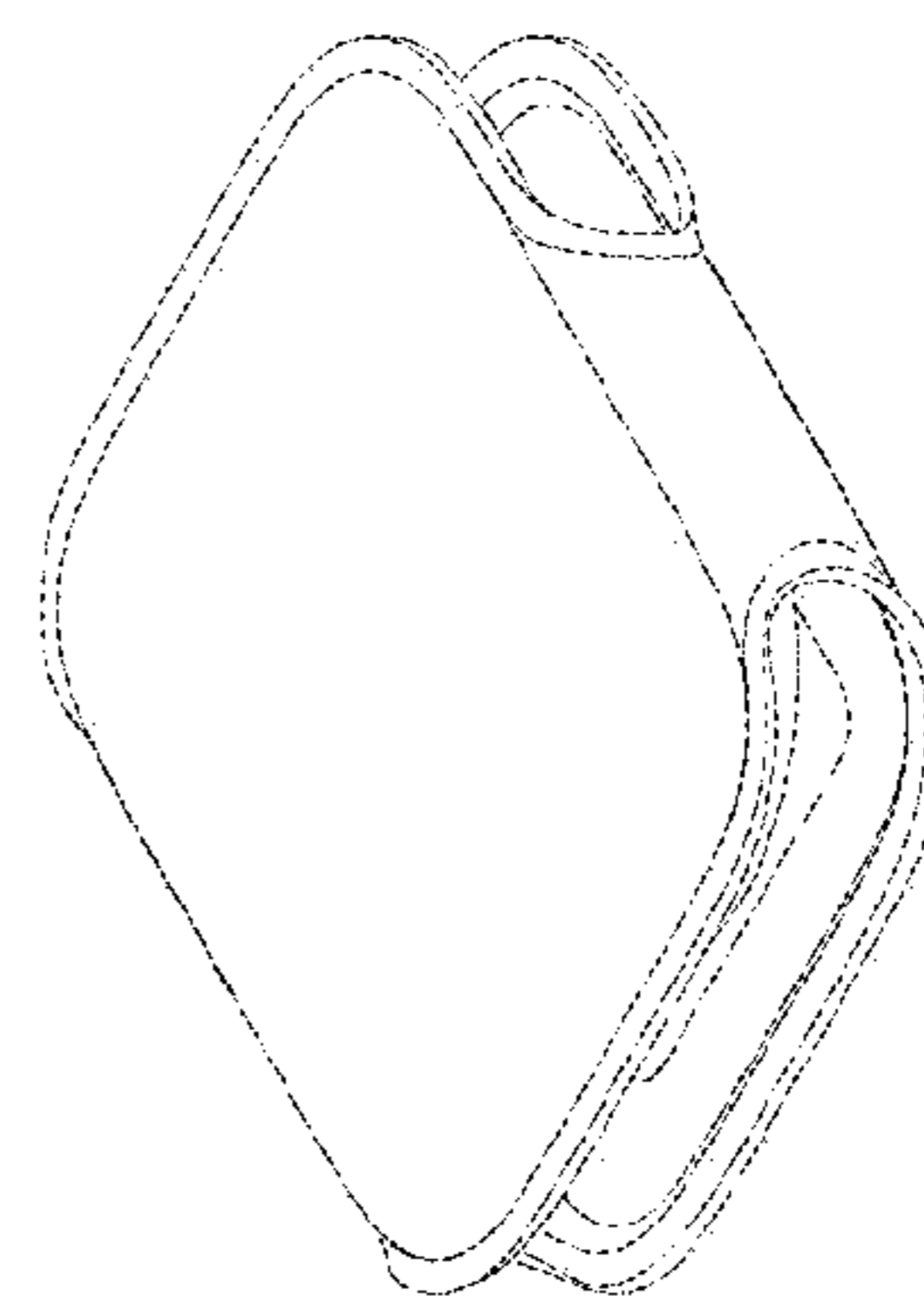


FIG. 30

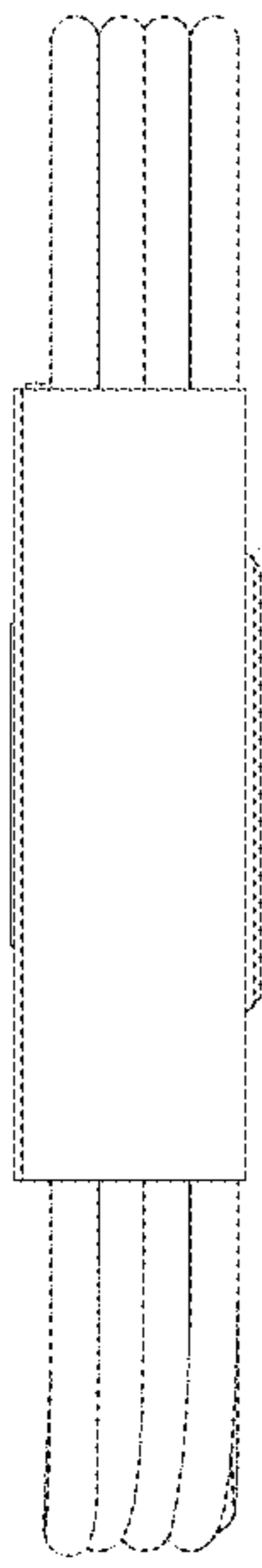


FIG. 39

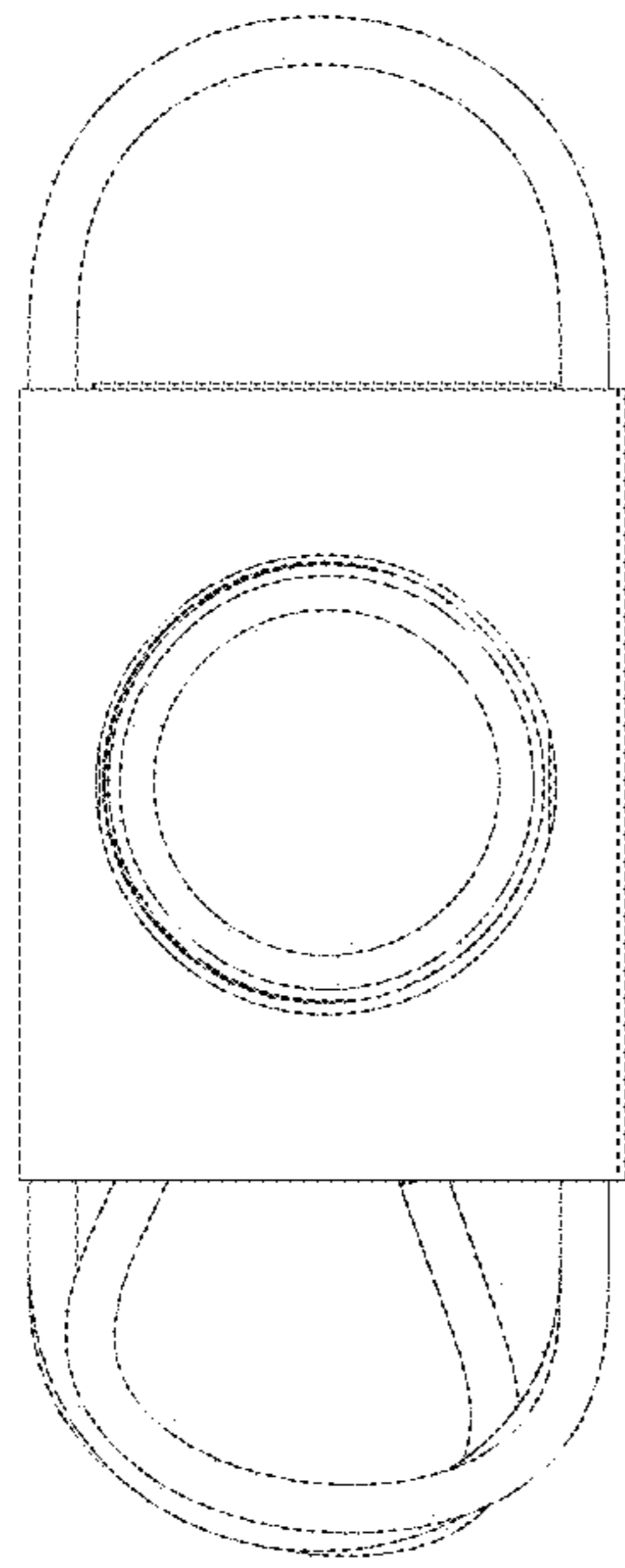


FIG. 42

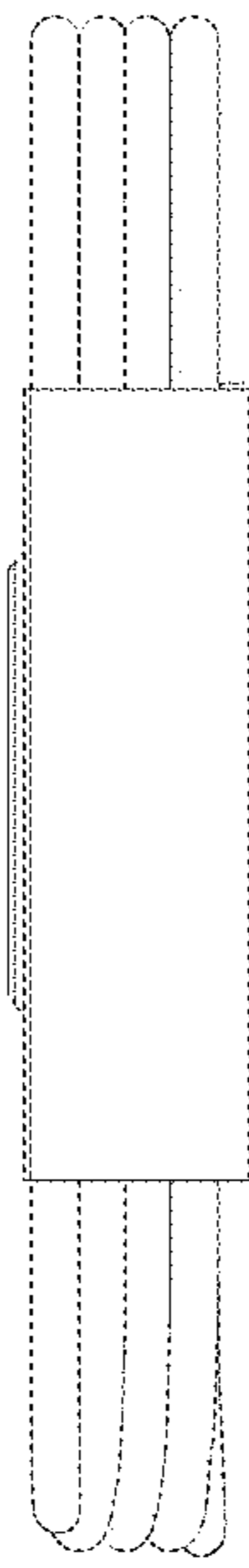


FIG. 38

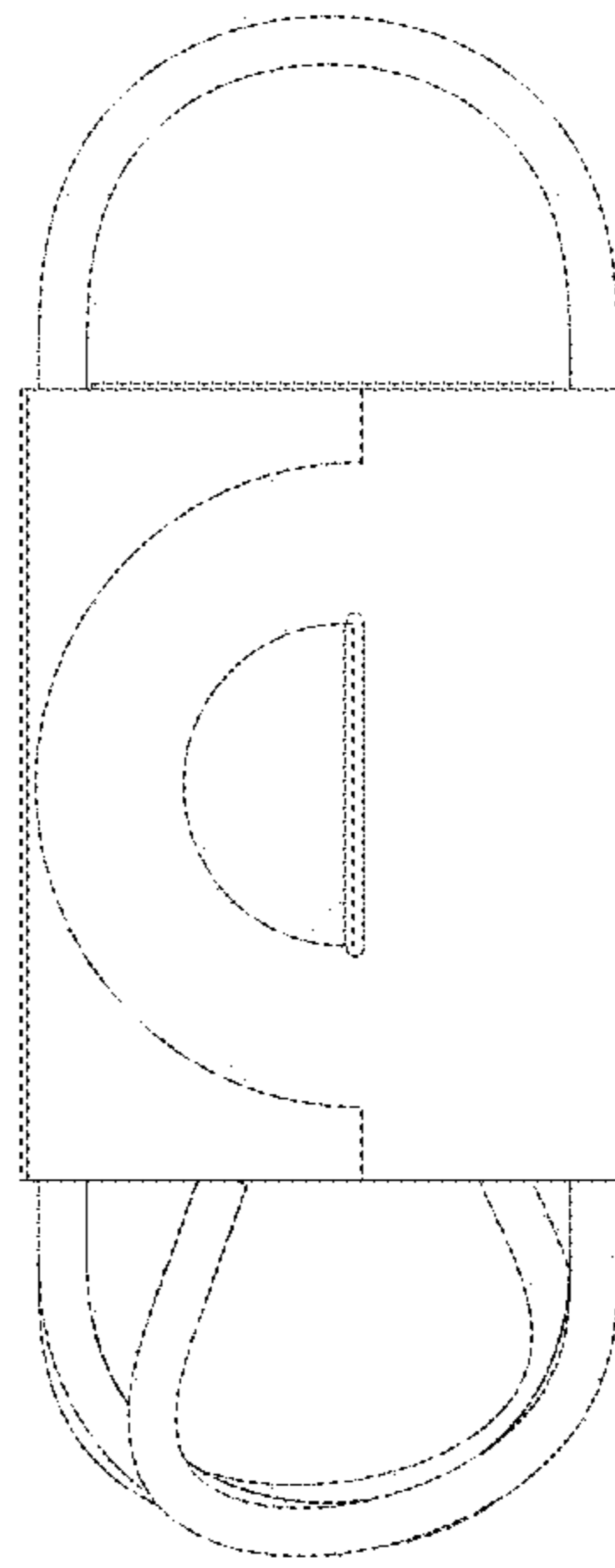


FIG. 43

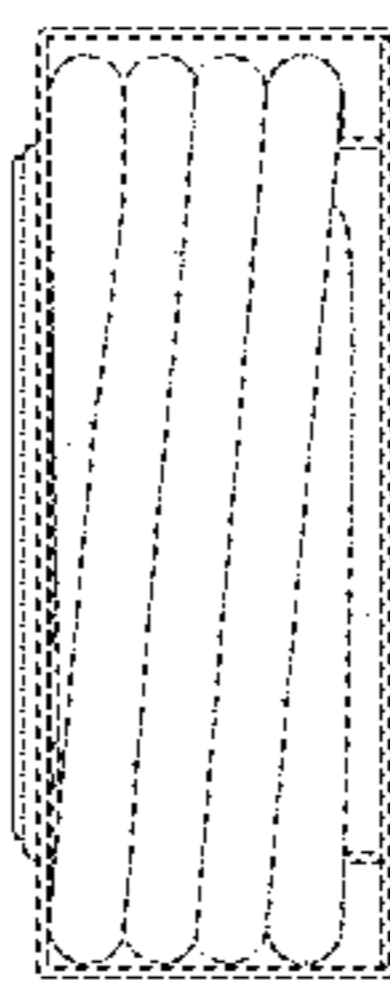


FIG. 40

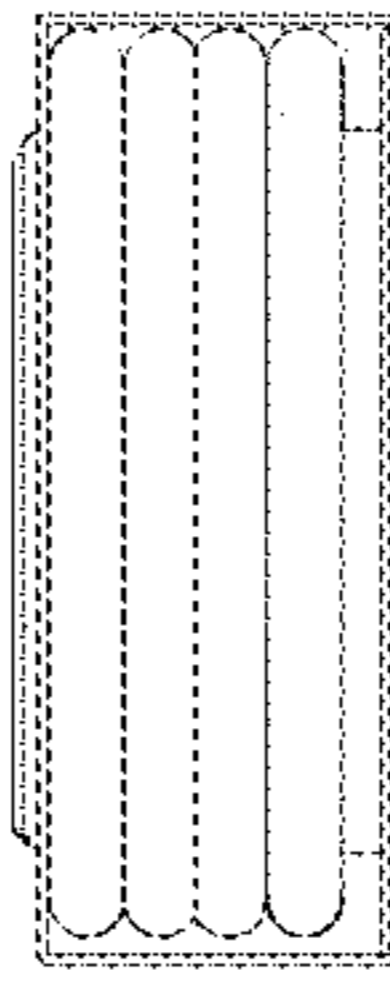


FIG. 41

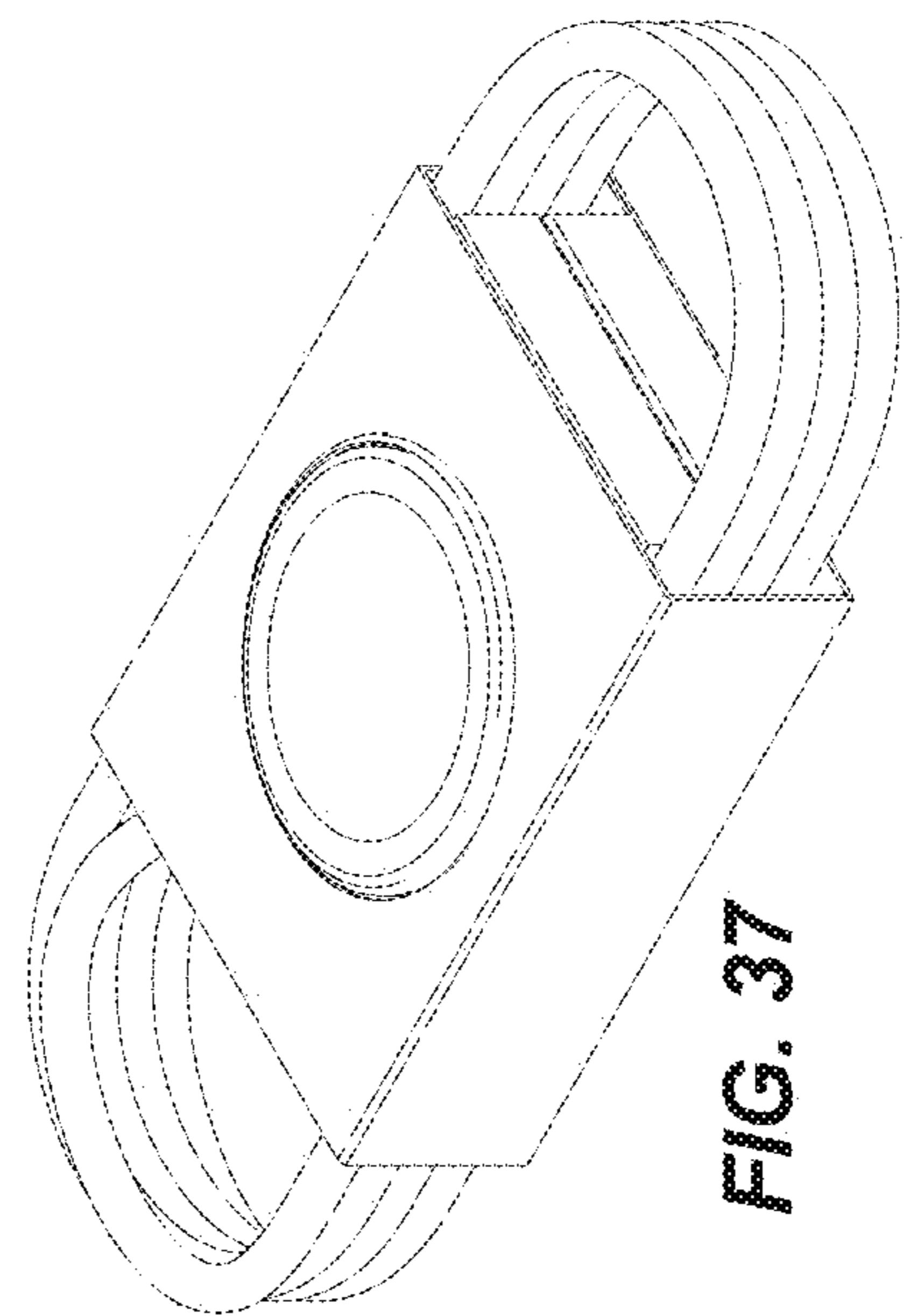


FIG. 37

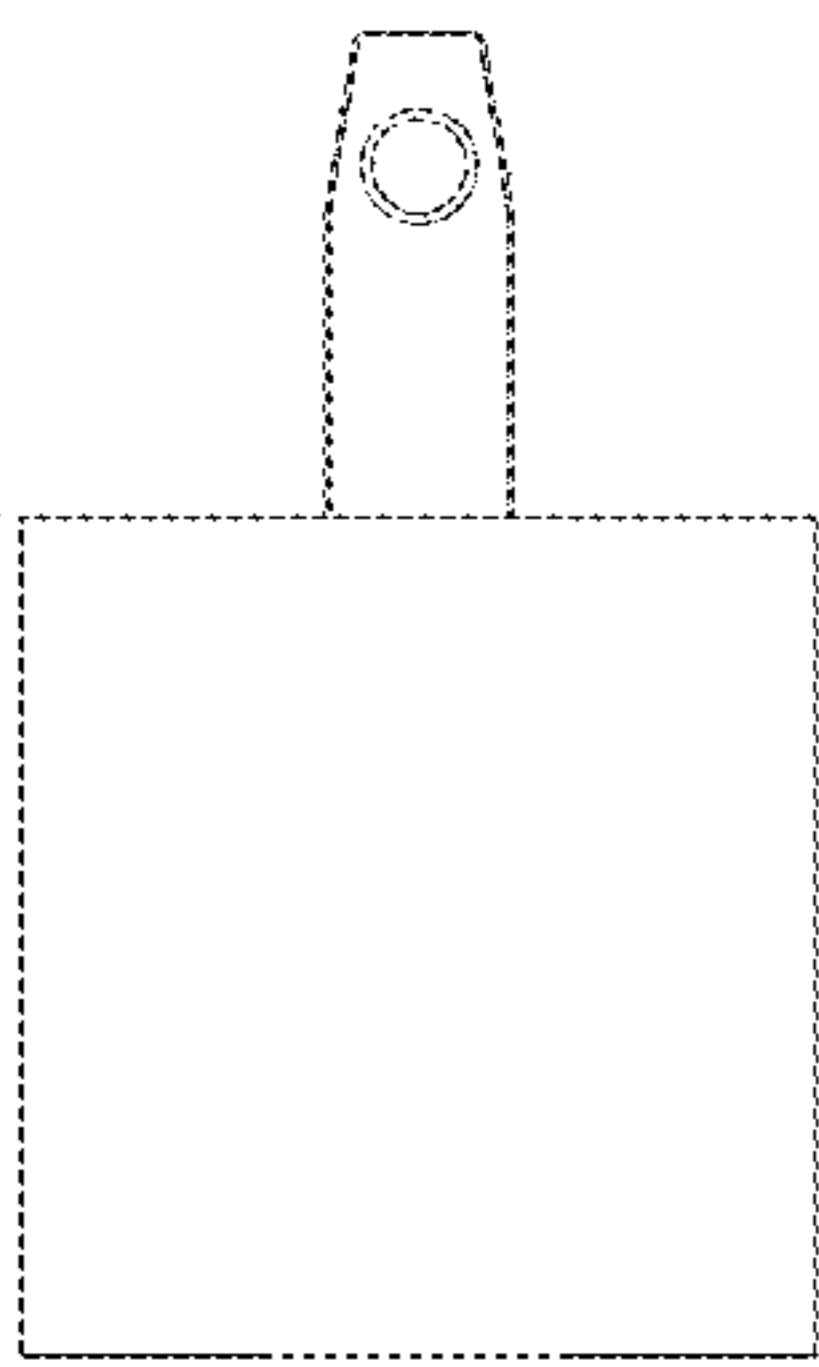


FIG. 46

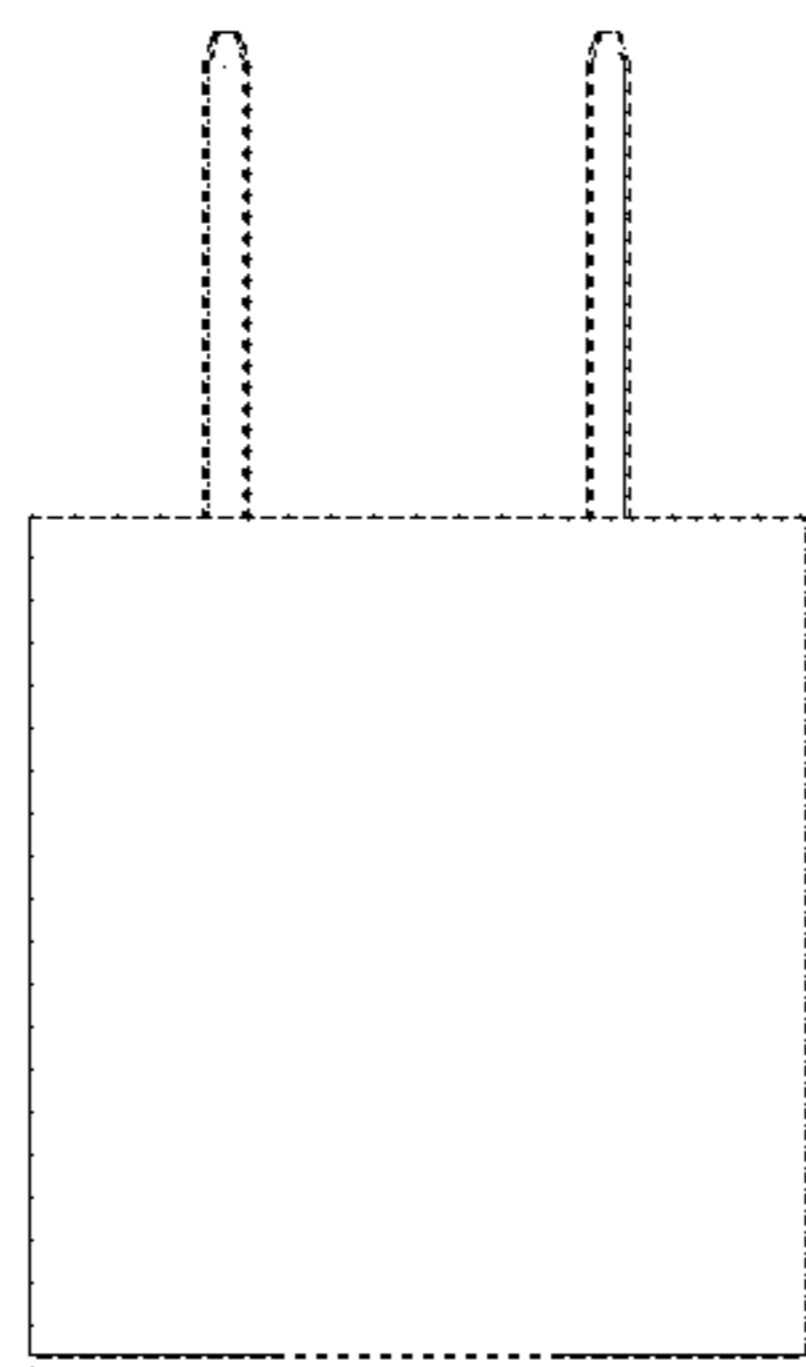


FIG. 49

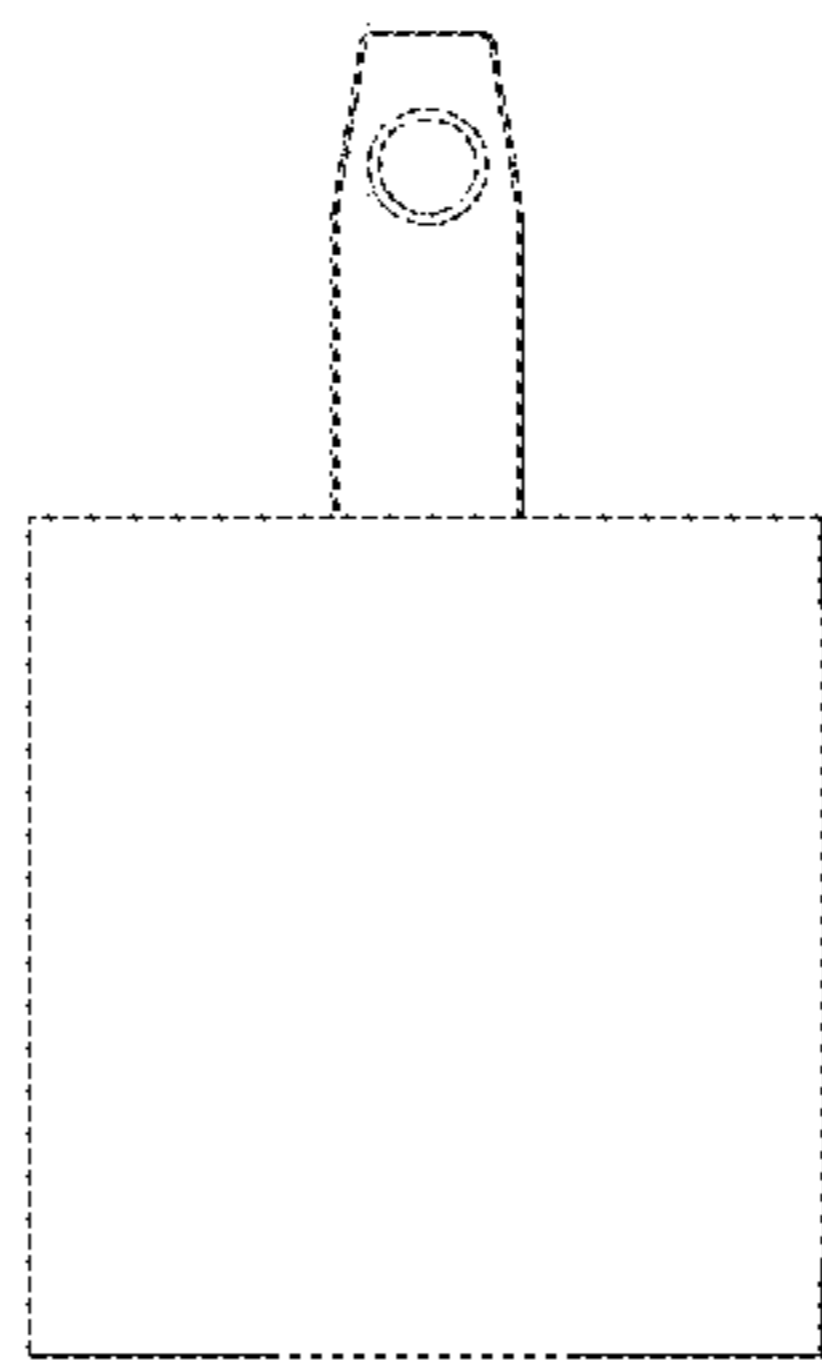


FIG. 45

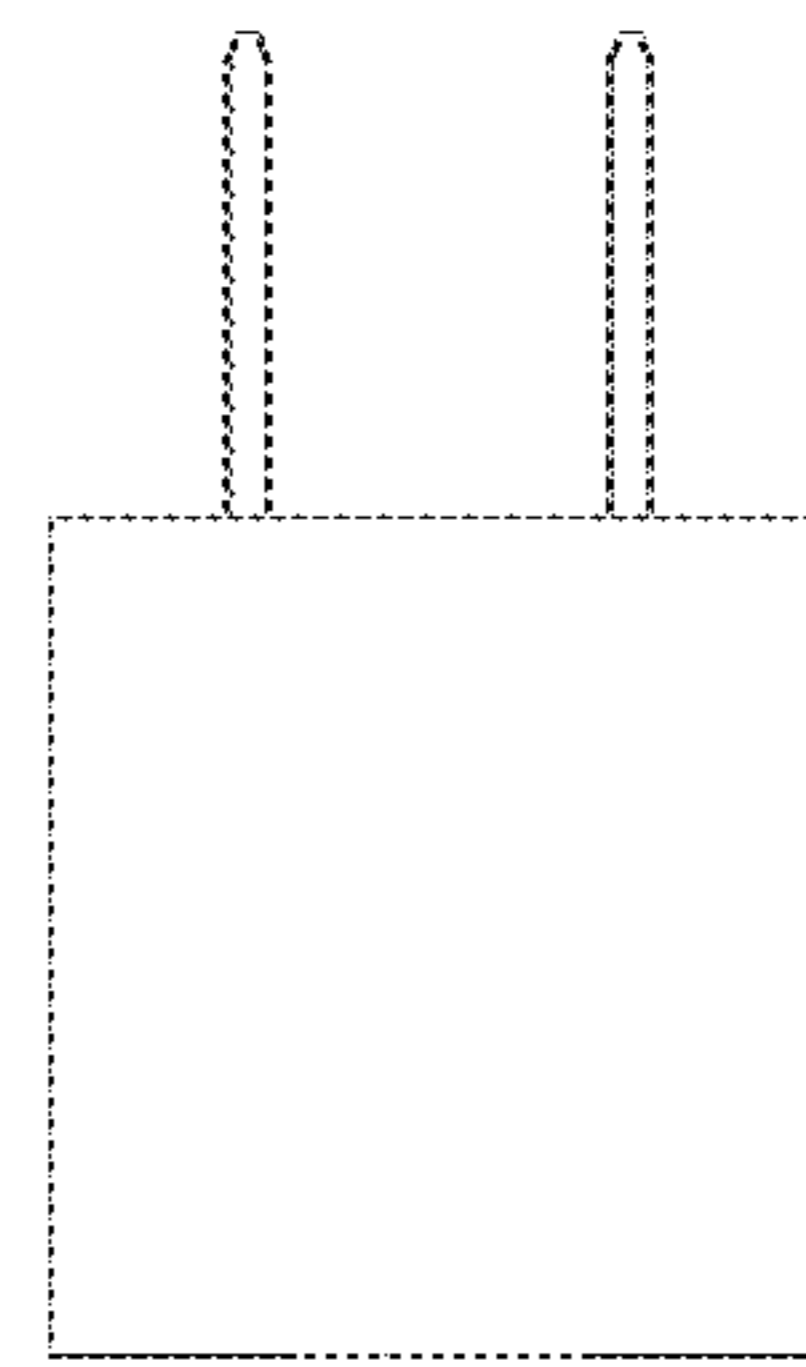


FIG. 50

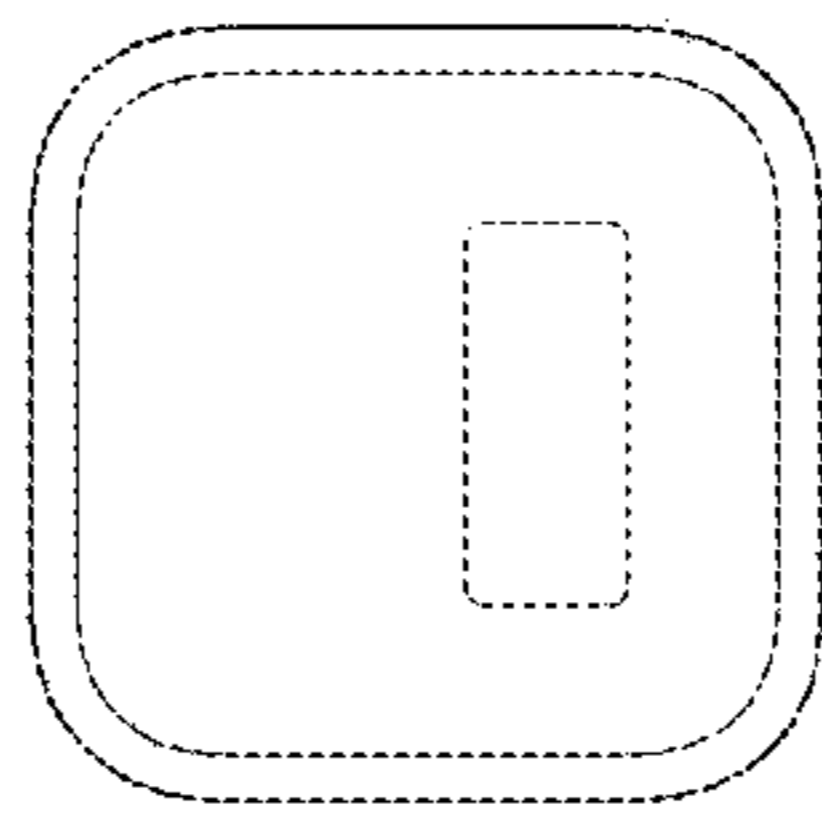


FIG. 47

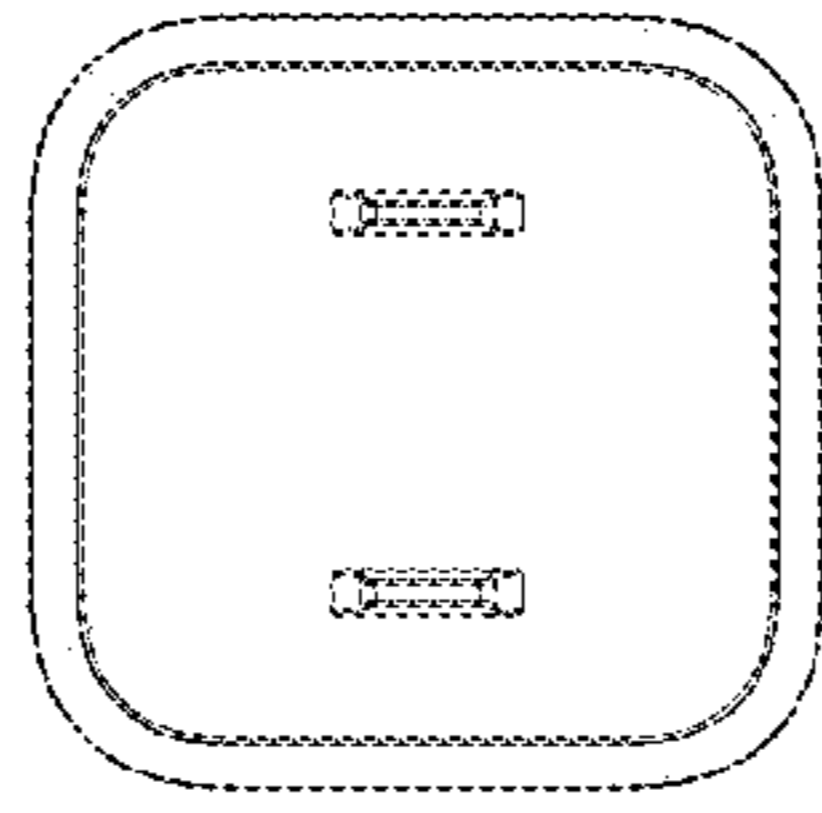


FIG. 48

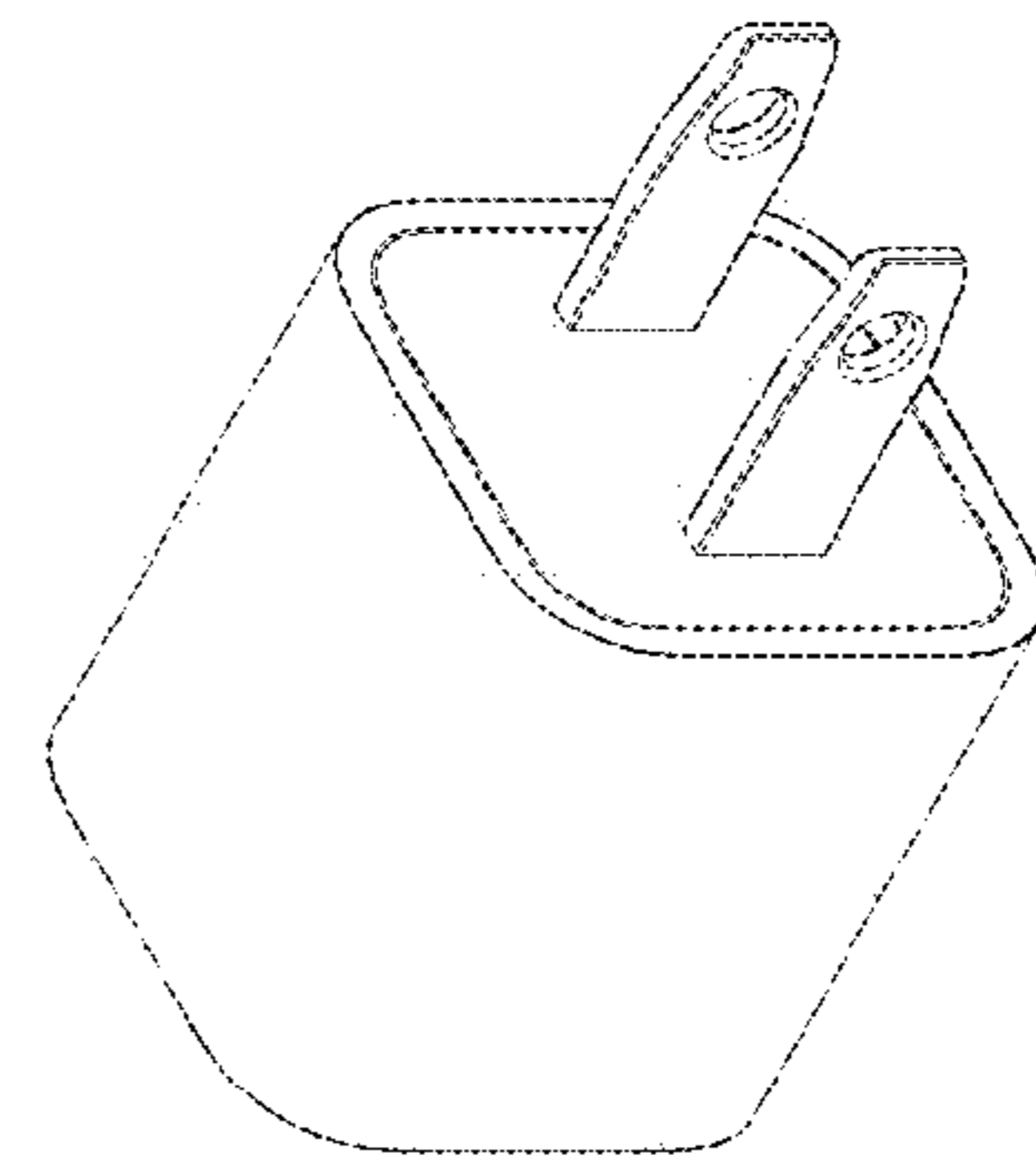


FIG. 44



FIG. 53

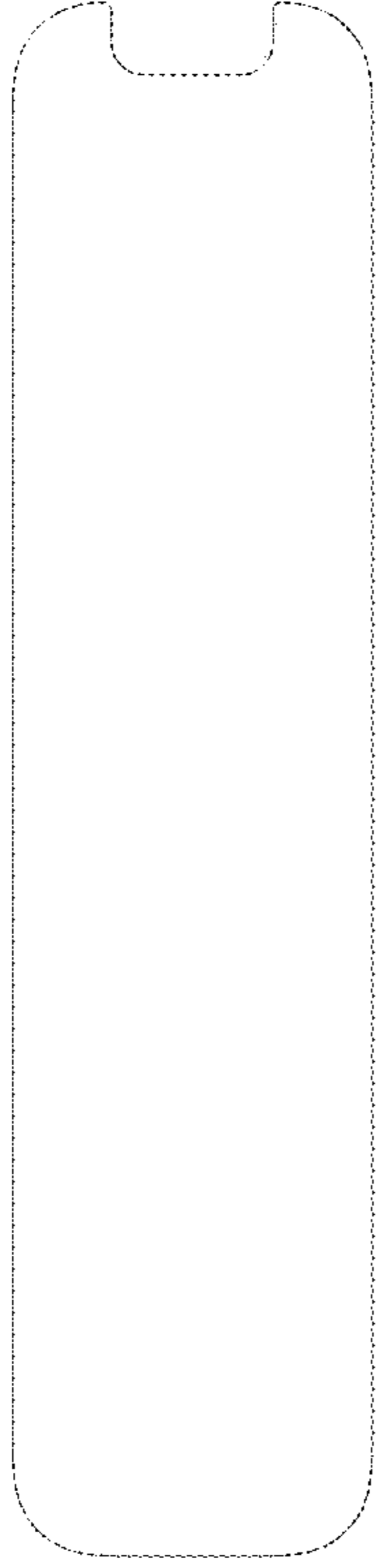


FIG. 56

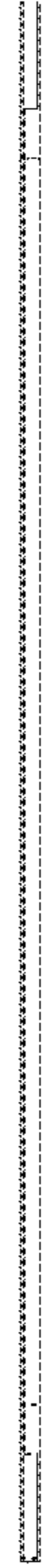


FIG. 54

FIG. 52

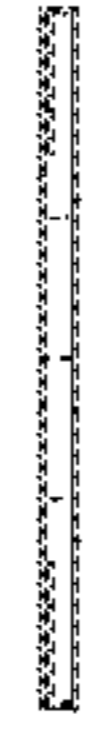


FIG. 55

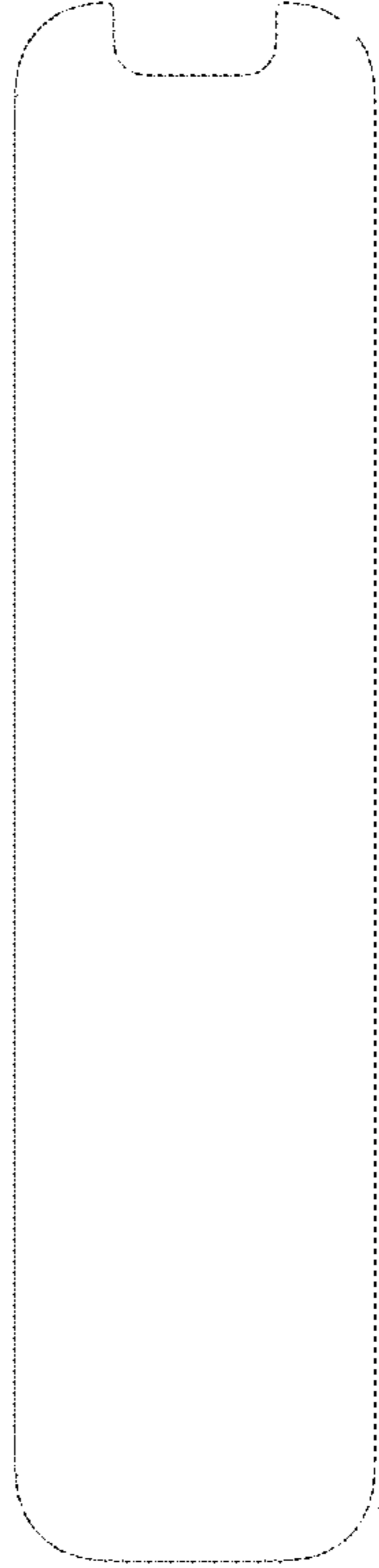


FIG. 57

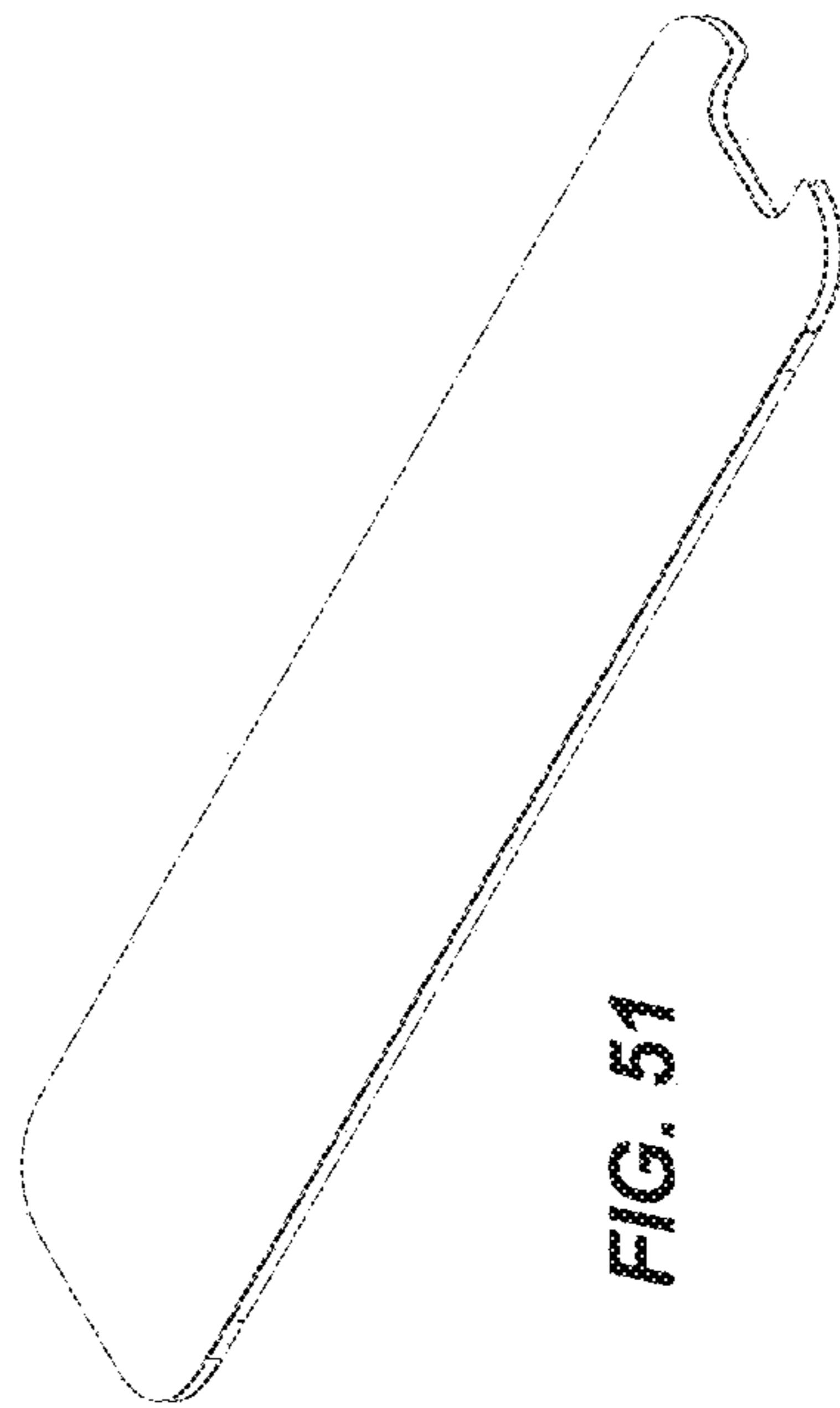


FIG. 51

FIG. 60

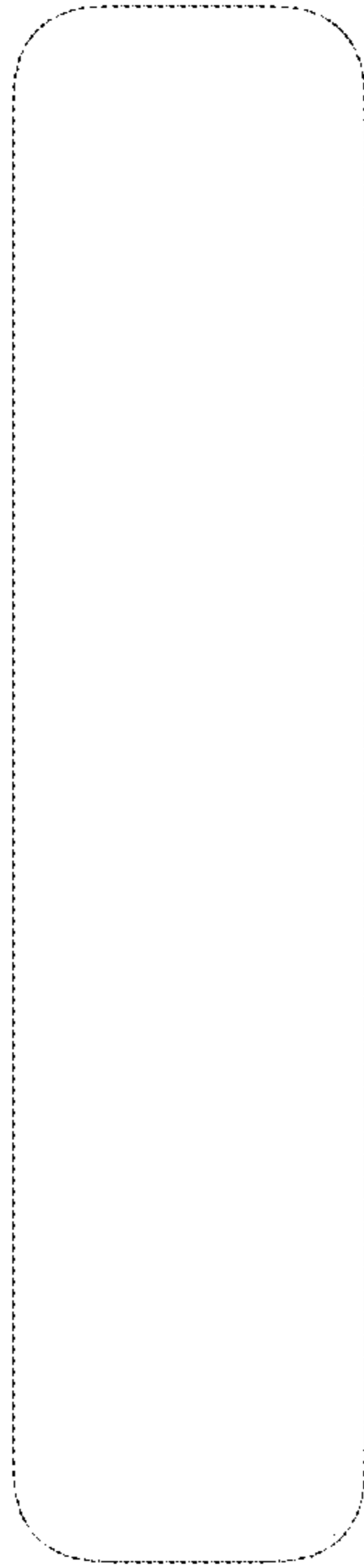


FIG. 63

FIG. 59

FIG. 62

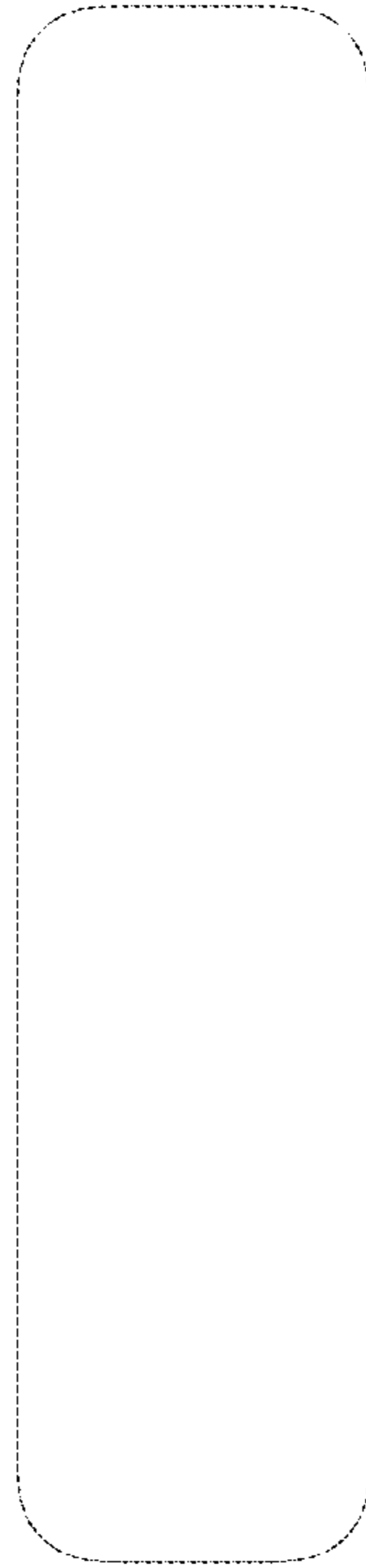


FIG. 64

FIG. 61

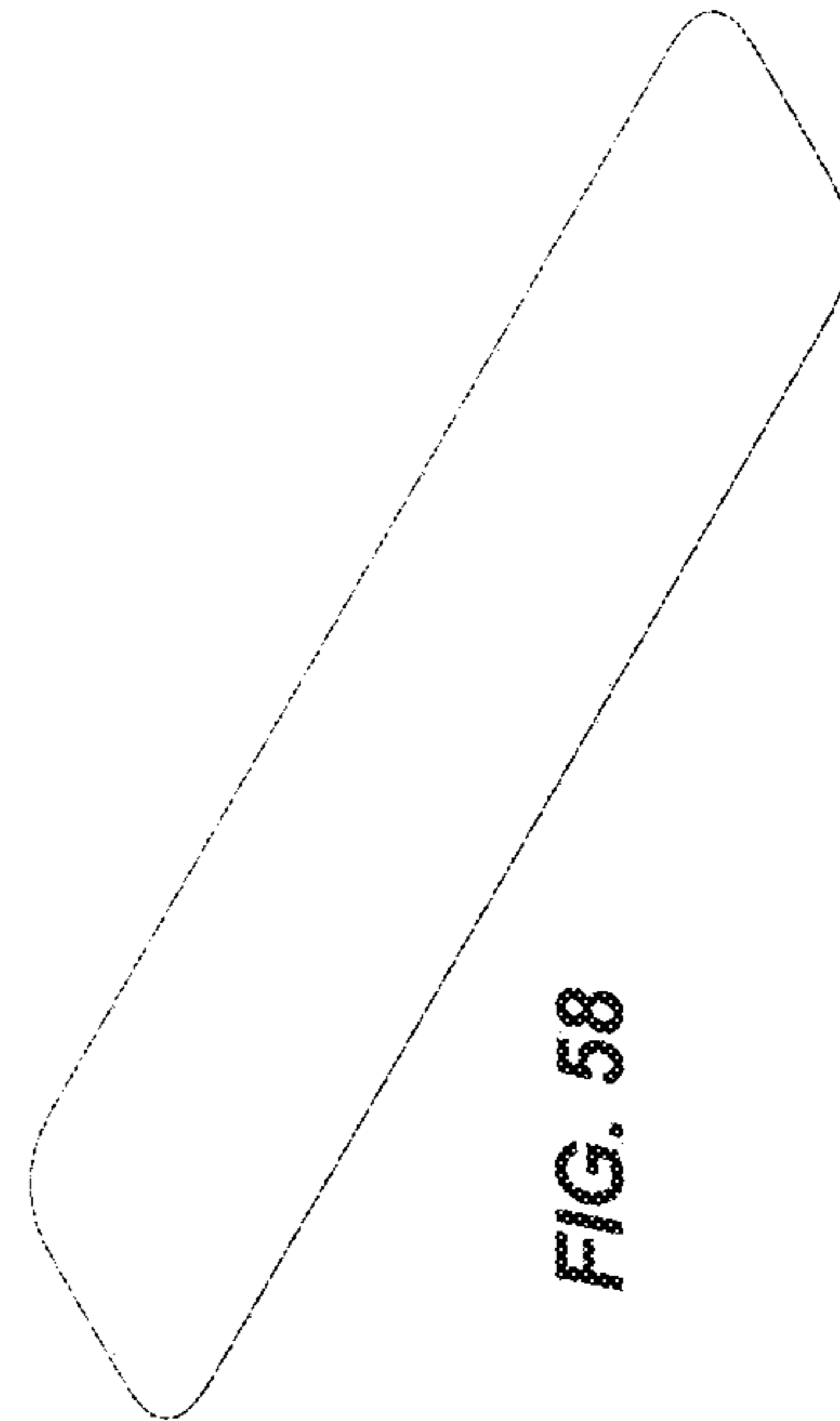


FIG. 58

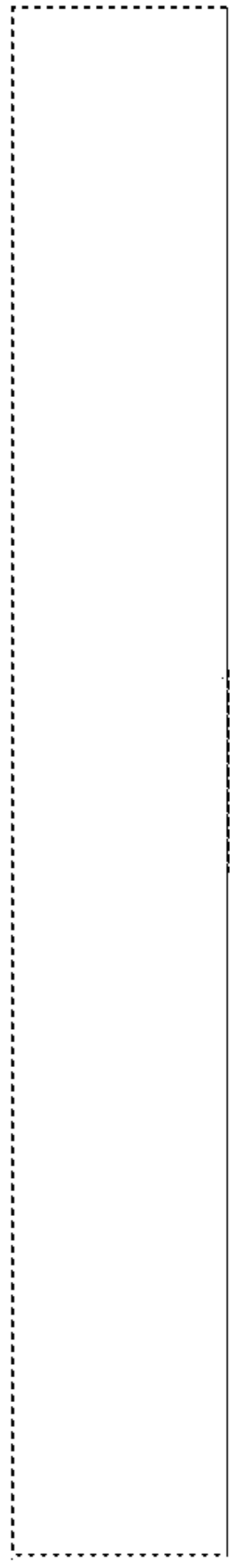


FIG. 67

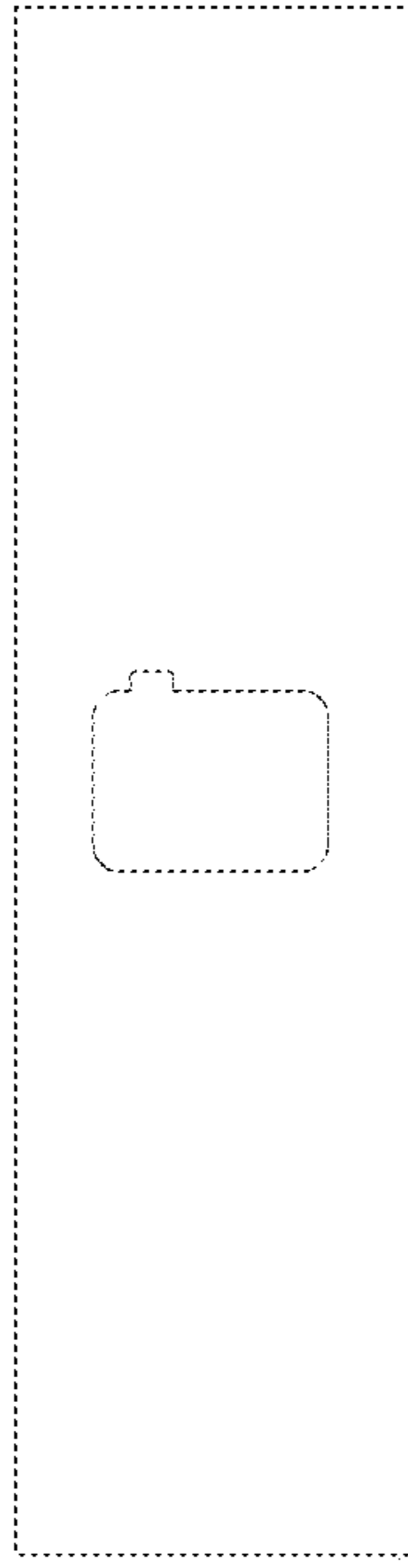


FIG. 70

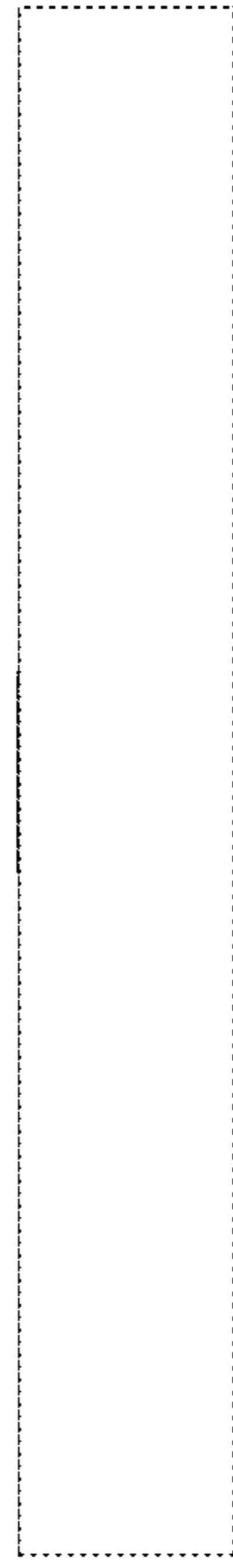


FIG. 66



FIG. 69

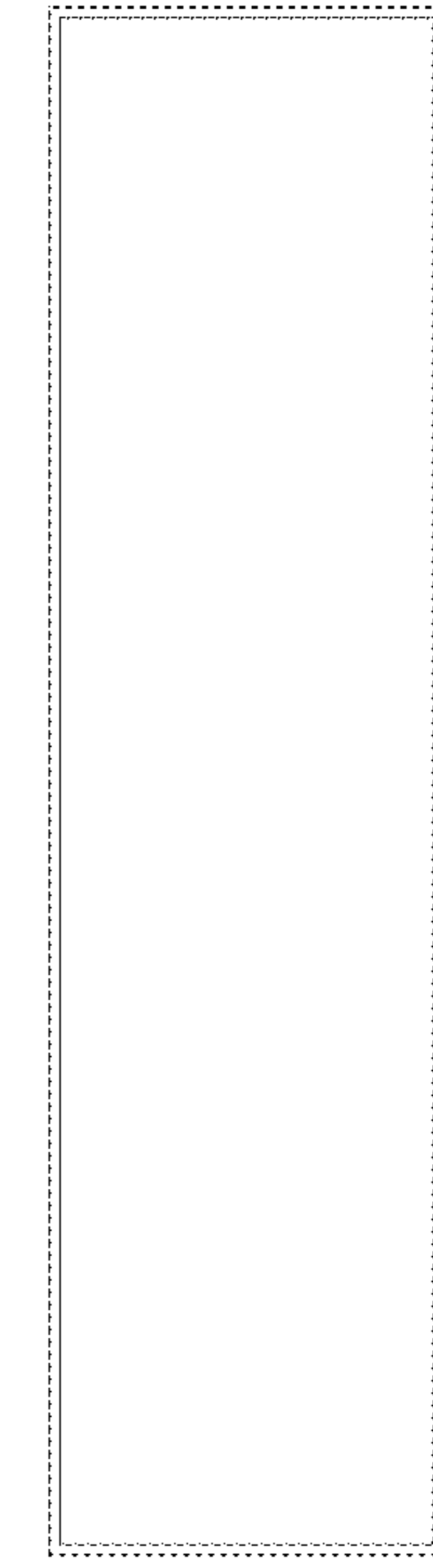


FIG. 71

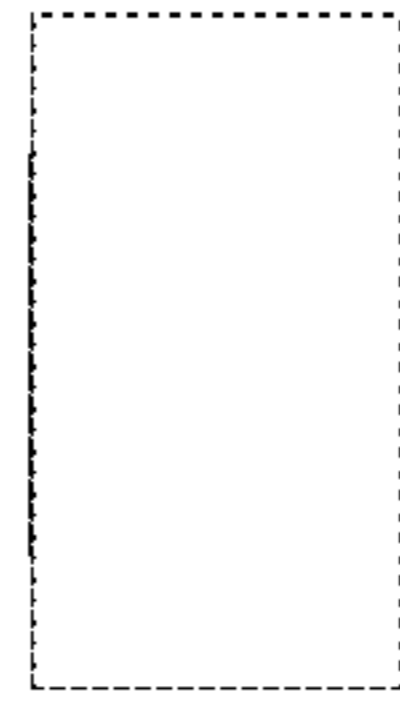


FIG. 68

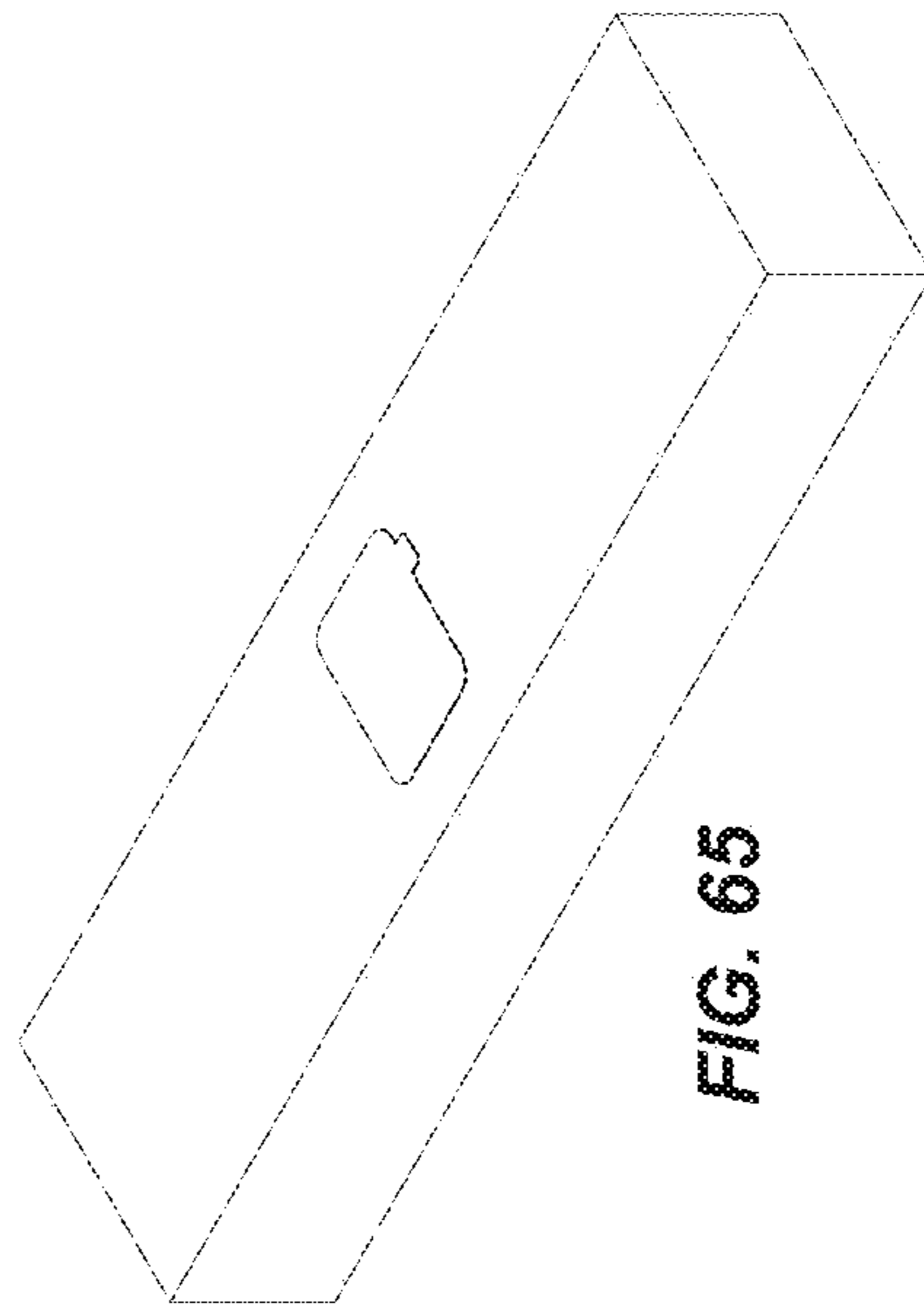


FIG. 65



FIG. 74

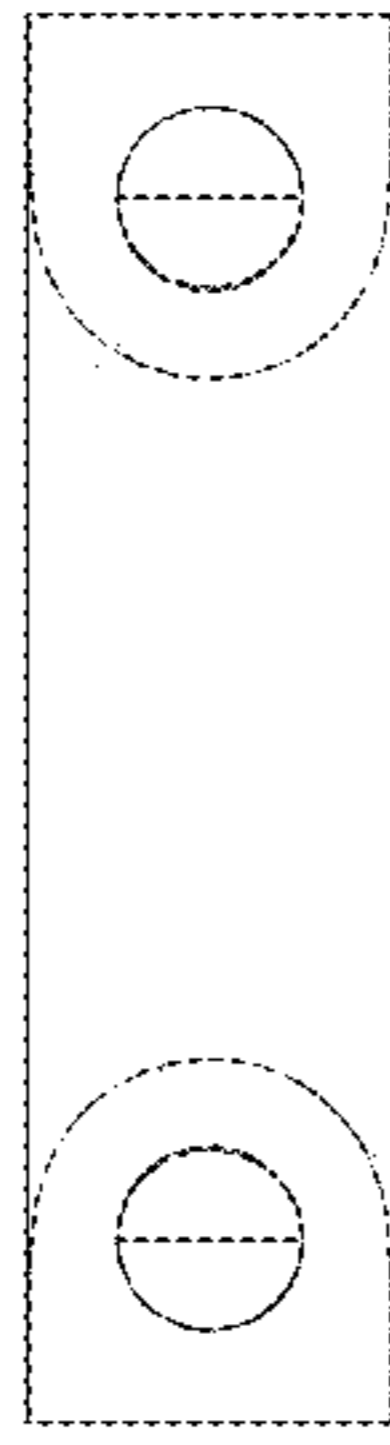


FIG. 77

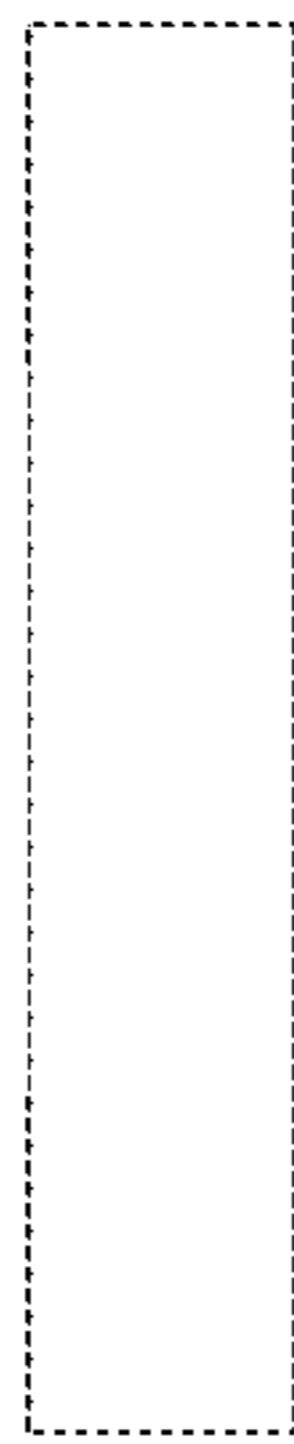


FIG. 73

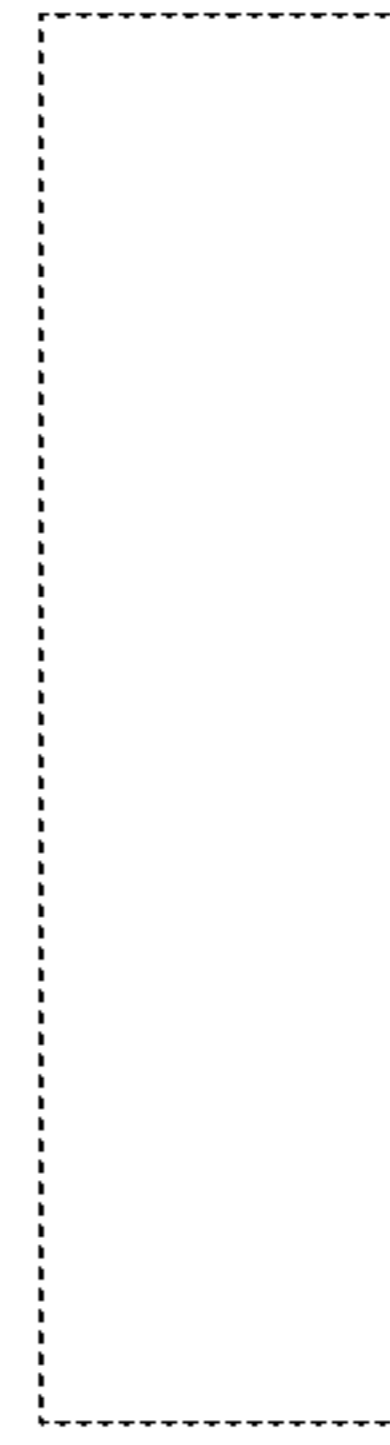


FIG. 78

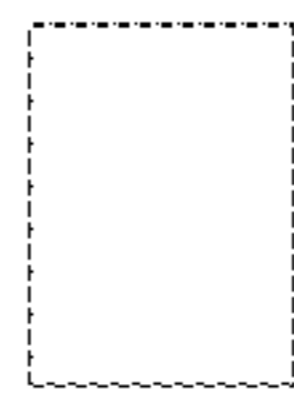


FIG. 75

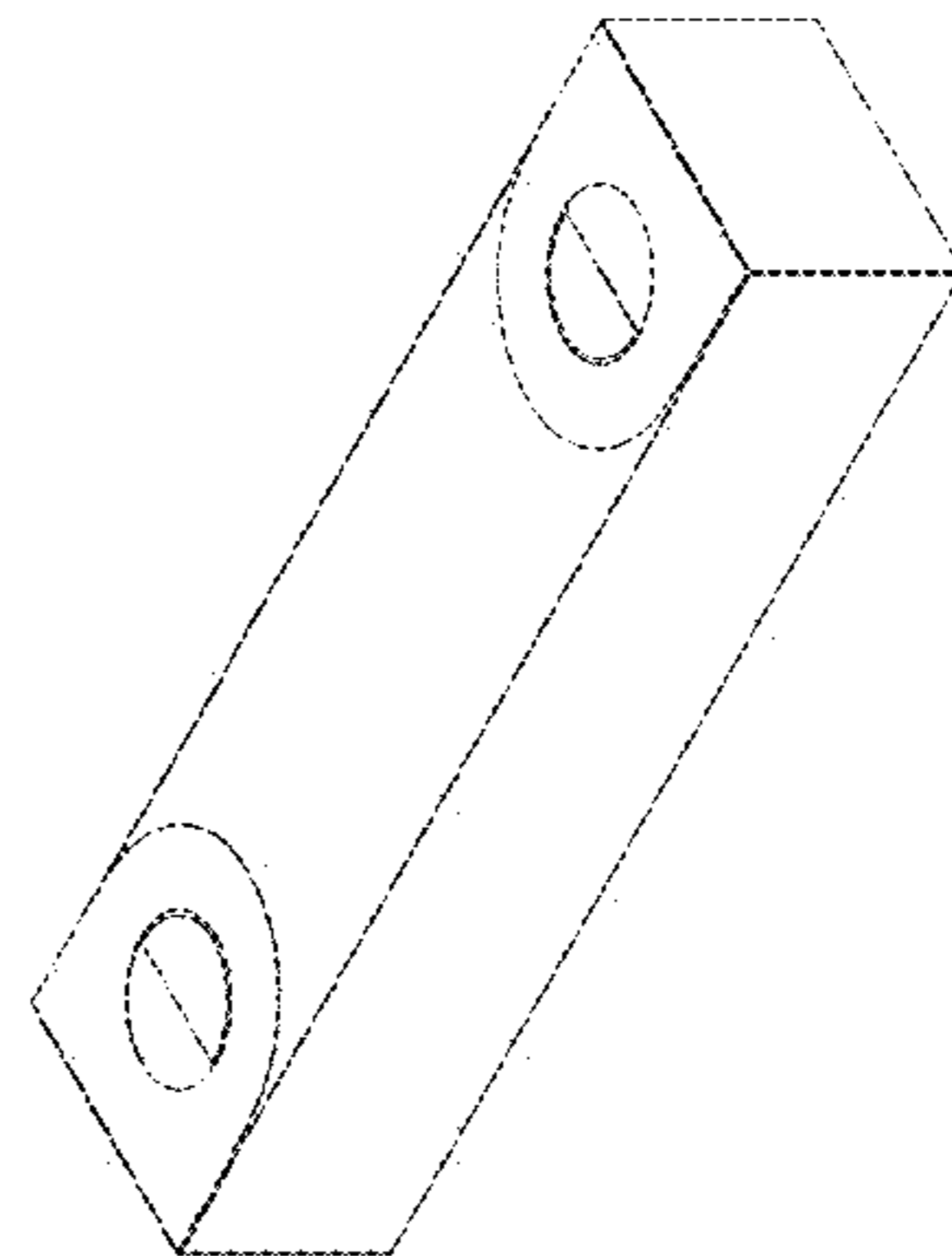


FIG. 72

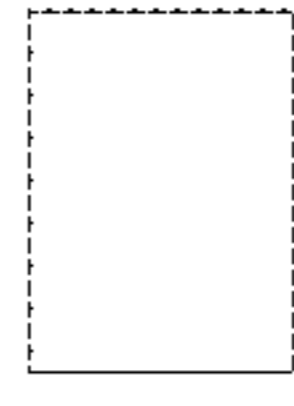


FIG. 76