



US00D914516S

(12) **United States Design Patent**
Roesler

(10) **Patent No.:** **US D914,516 S**
(45) **Date of Patent:** **** Mar. 30, 2021**

(54) **PACKAGING CONTAINER**

- (71) Applicant: **Thiemo Roesler**,
Wangen-Neuravensburg (DE)
- (72) Inventor: **Thiemo Roesler**,
Wangen-Neuravensburg (DE)
- (73) Assignee: **ROESLER IP GMBH**, Hergensweiler
(DE)
- (**) Term: **15 Years**
- (21) Appl. No.: **29/664,088**
- (22) Filed: **Sep. 21, 2018**
- (51) **LOC (13) Cl.** **09-05**
- (52) **U.S. Cl.**
USPC **D9/711**

(58) **Field of Classification Search**

- USPC D9/702-714, 695-699, 435, 440, 521,
D9/454, 544, 723-724, 499, 449,
D9/727-728, 442, 447, 504; 222/92, 96,
222/107, 527-529, 215, 491, 206,
222/212-213, 251, 95, 536; 206/438,
206/822, 527; 220/DIG. 7, 669;
215/321, 382, 316, 380; 141/114-115;
D28/91.1, 76-78, 82, 88; D24/114;
D3/202, 205, 203.2, 270, 271.1-271.4;
D7/510, 514-520, 599, 601-602,
D7/612-615, 619.2, 628-629
- CPC B65D 35/00; B65D 35/28; B65D 35/02;
B65D 35/04; B65D 35/08; B65D 35/36;
B65D 35/38; B65D 5/00; B65D 5/001;
B65D 5/4258; B65D 1/0223; B65D 1/02;
B65D 1/10; B65D 1/46; B65D 23/00;
B65D 2585/00; B65D 81/60; B65D
81/365; B65D

(Continued)

(56) **References Cited**

U.S. PATENT DOCUMENTS

- 6,241,161 B1 * 6/2001 Corbett A01M 31/008
222/187
- D548,973 S * 8/2007 Dawson D3/272

(Continued)

Primary Examiner — Abraham Bahta

(74) *Attorney, Agent, or Firm* — Dentons Cohen &
Grigsby P C.

(57) **CLAIM**

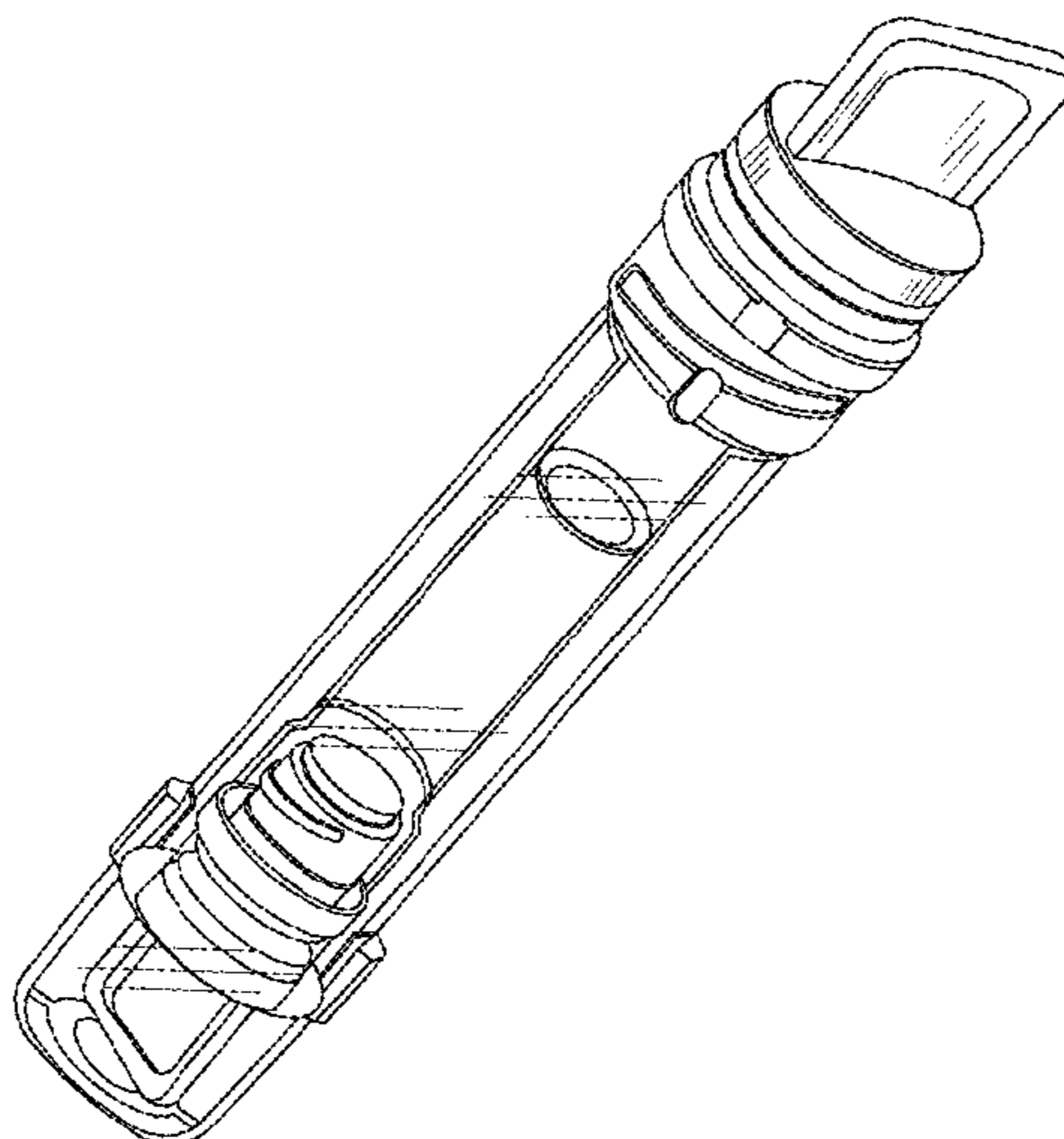
The ornamental design for a packaging container, as shown
and described.

DESCRIPTION

FIG. 1 is a front perspective view of a packaging container;
FIG. 2 is a front perspective view of an outer portion and an
inner portion of the packaging container of FIG. 1;
FIG. 3 is a rear view of a packaging container;
FIG. 4 is a rear view of an outer portion and an inner portion
of the packaging container of FIG. 3;
FIG. 5 is a front view of a packaging container;
FIG. 6 is a front view of an outer portion and an inner
portion of the packaging container of FIG. 5;
FIG. 7 is a left side view of a packaging container;
FIG. 8 is a left side view of an outer portion and an inner
portion of the packaging container of FIG. 7;
FIG. 9 is a right side view of a packaging container;
FIG. 10 is a right side view of an outer portion and an inner
portion of the packaging container of FIG. 9;
FIG. 11 is a bottom view of a packaging container;
FIG. 12 is a bottom view of an outer portion and an inner
portion of the packaging container of FIG. 11;
FIG. 13 is a top view of a packaging container; and,
FIG. 14 is a top view of an outer portion and an inner portion
of the packaging container of FIG. 13.

Each drawing sheet shows an intact packaging container and
an exploded view as denoted by the bracket of an outer
portion and inner portion of the packaging container, respec-
tively.

1 Claim, 7 Drawing Sheets



(58) **Field of Classification Search**

CPC 81/366; B65D 81/368; B65D 2203/00;
B65D 2203/02

See application file for complete search history.

(56) **References Cited**

U.S. PATENT DOCUMENTS

D827,449 S * 9/2018 Roesler D9/711
D896,102 S * 9/2020 Roesler D9/711

* cited by examiner

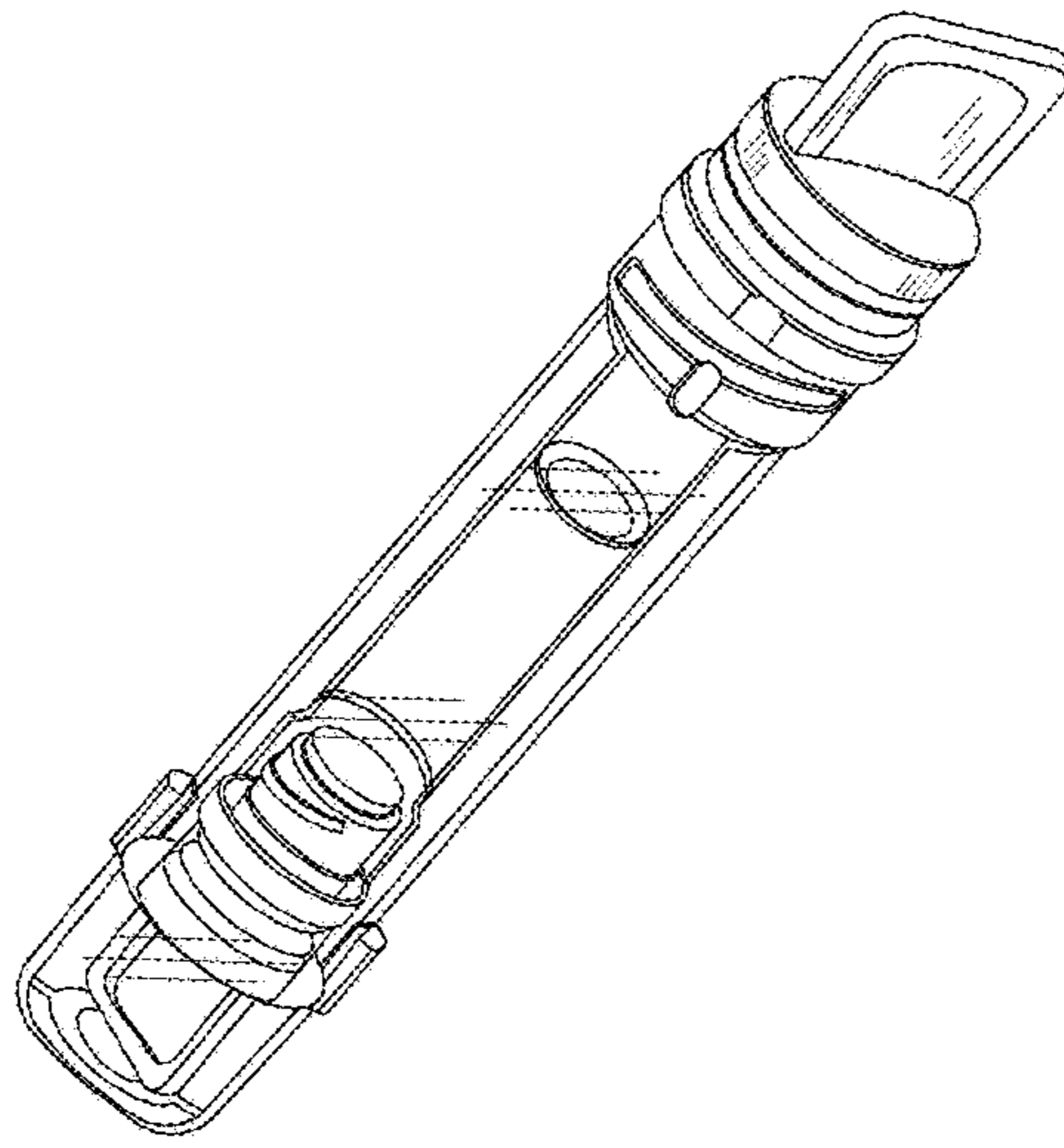


FIG. 1

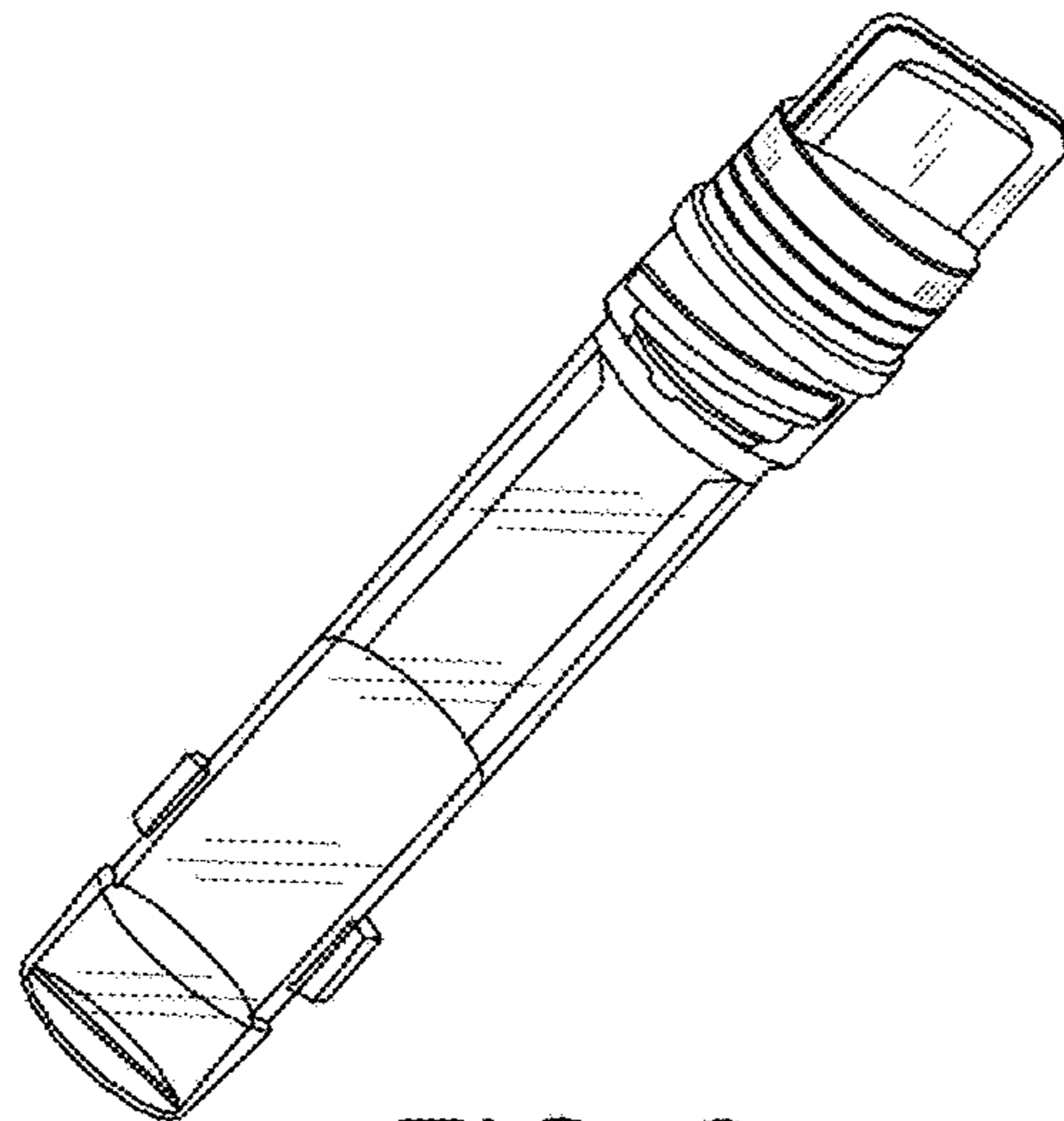
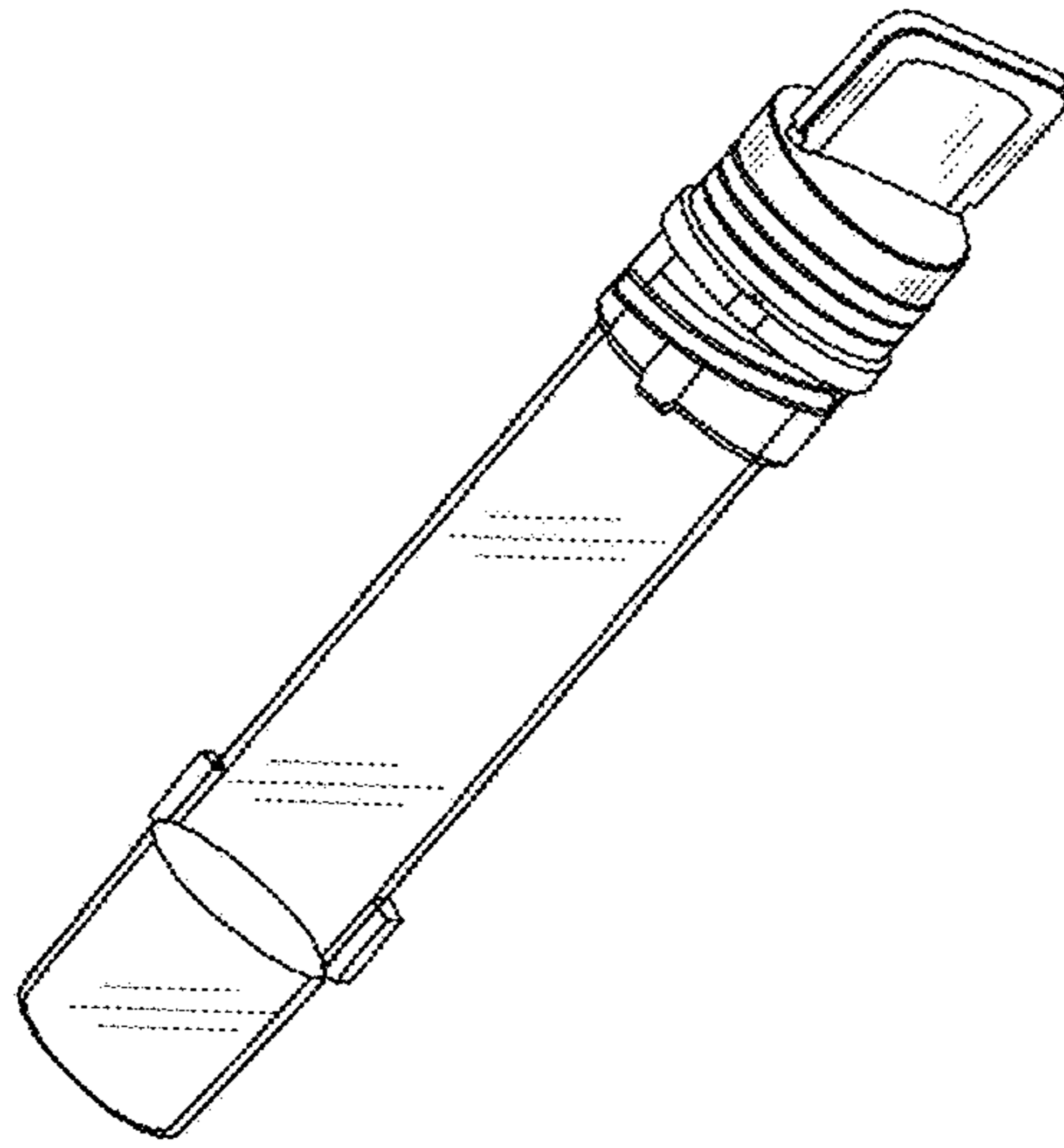
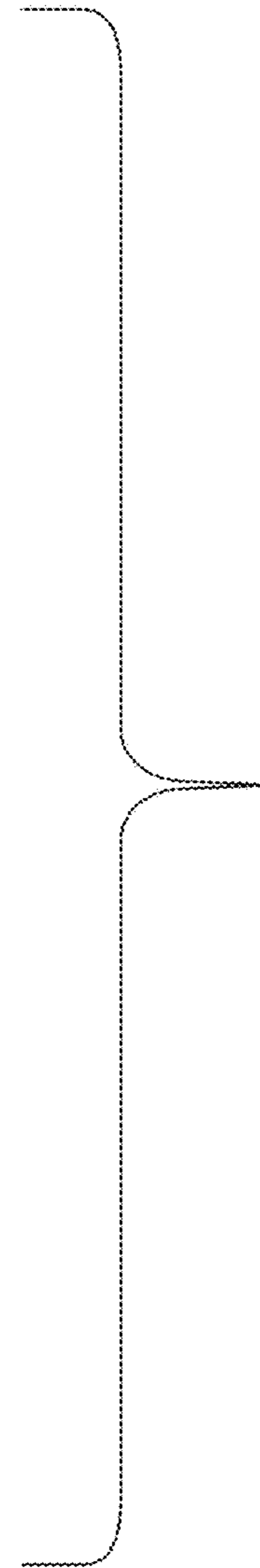


FIG. 2



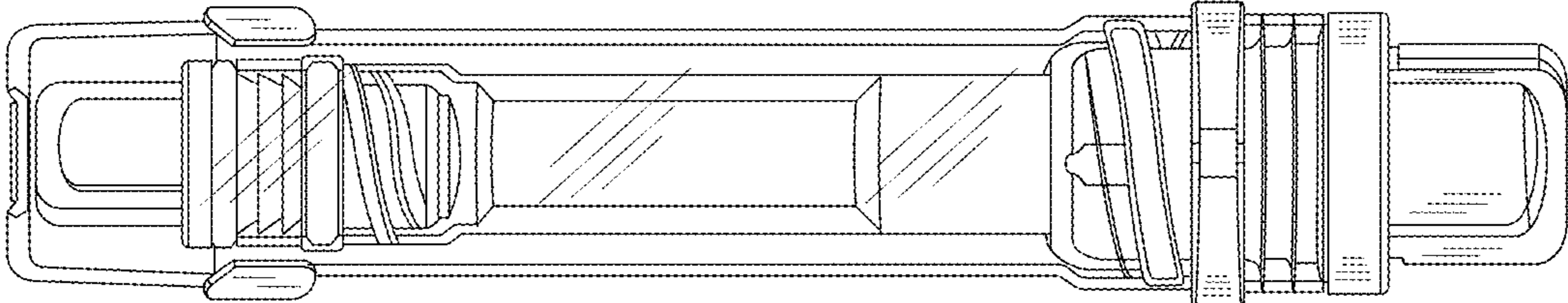


FIG. 3

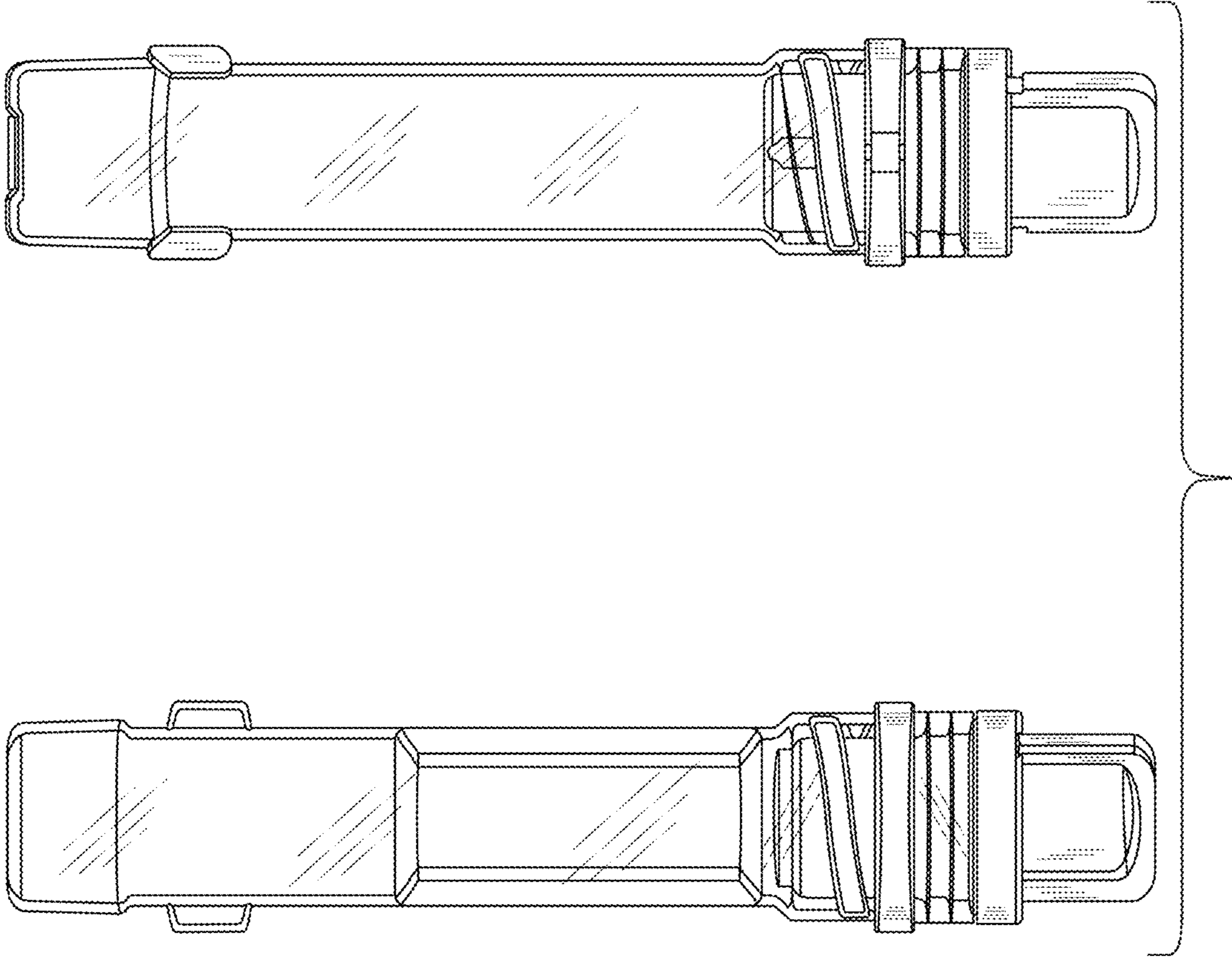


FIG. 4

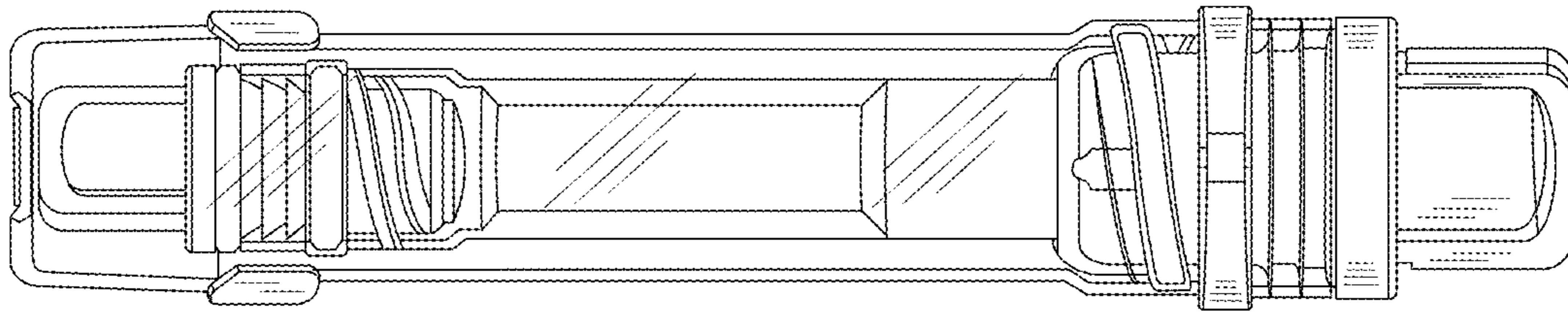


FIG. 5

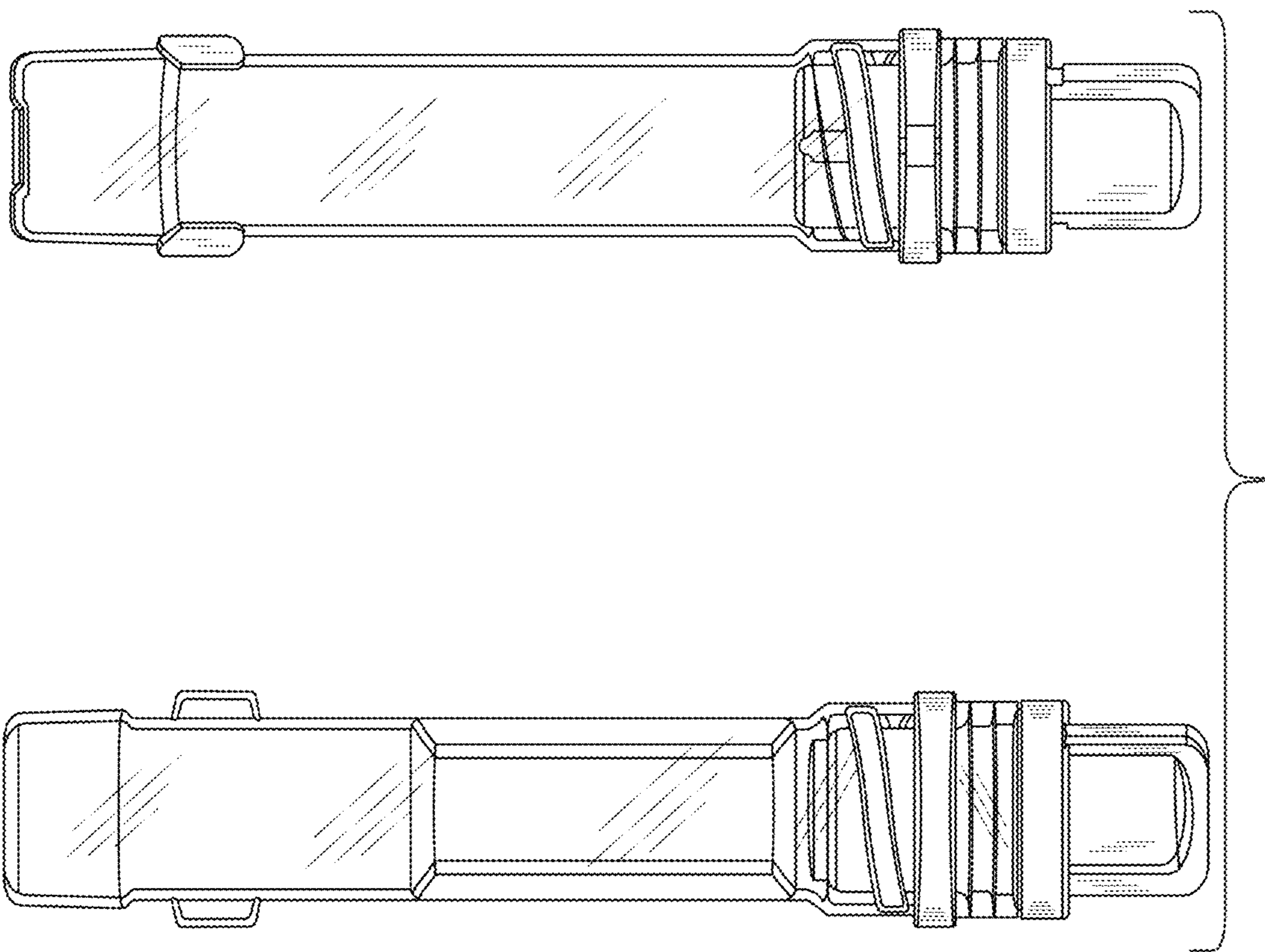


FIG. 6

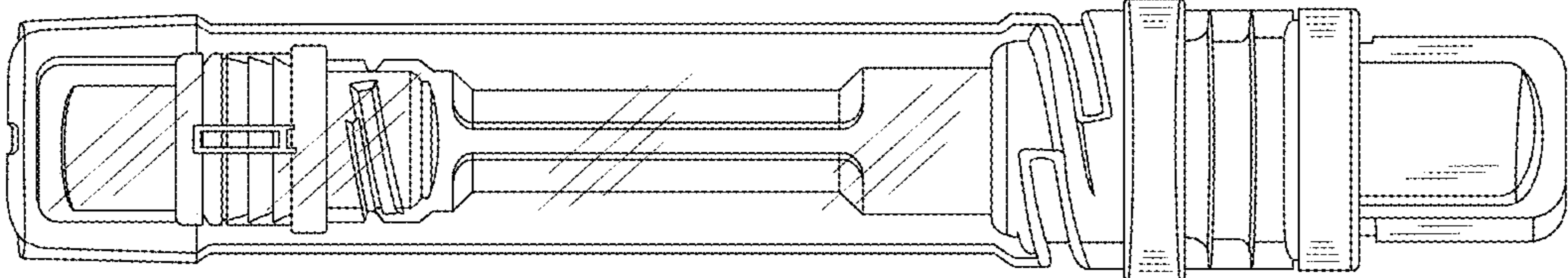


FIG. 7

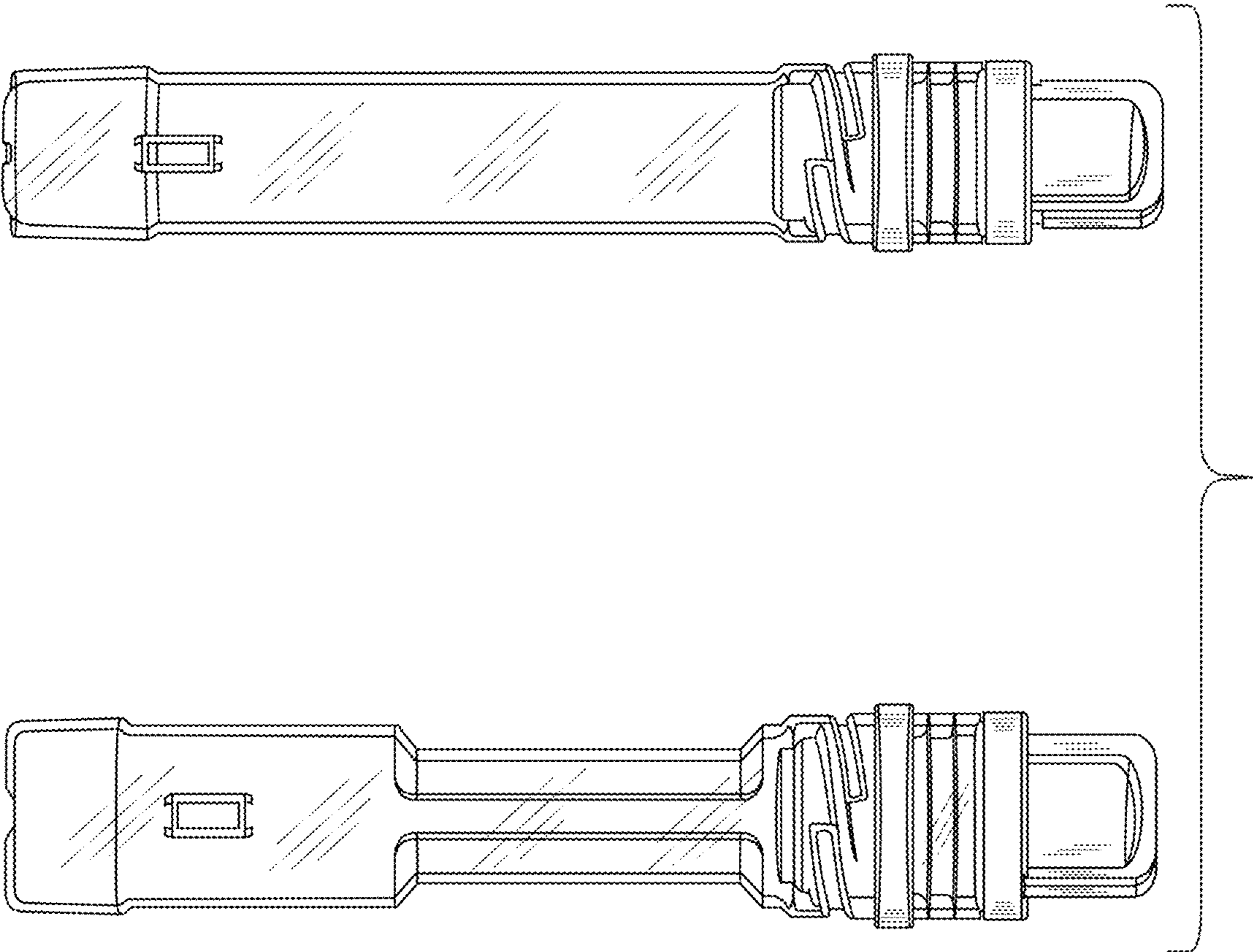


FIG. 8

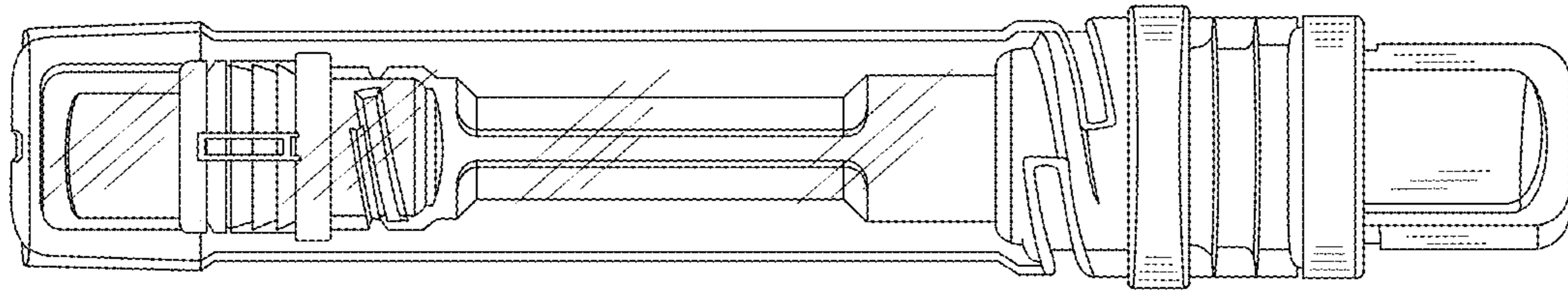


FIG. 9

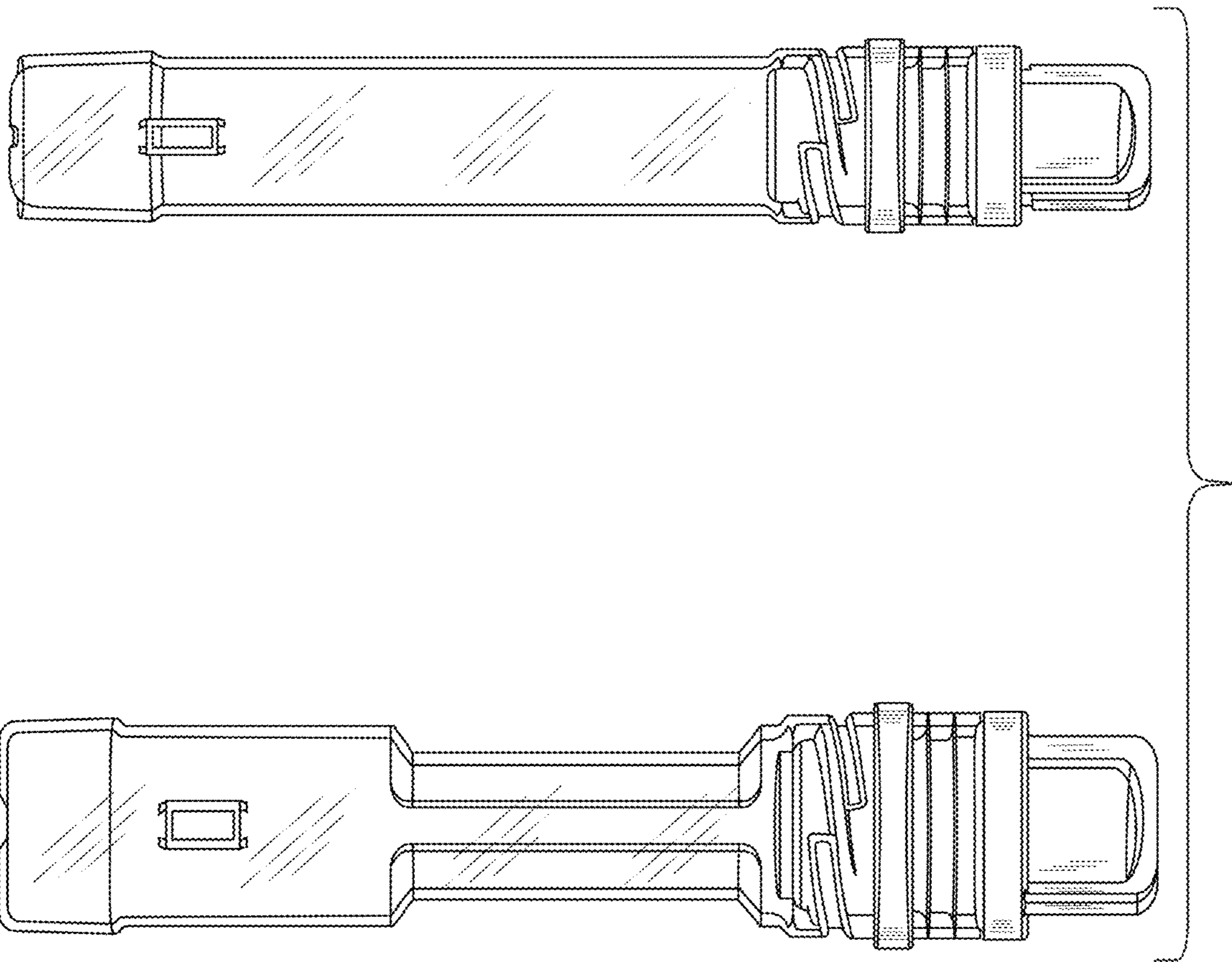


FIG. 10

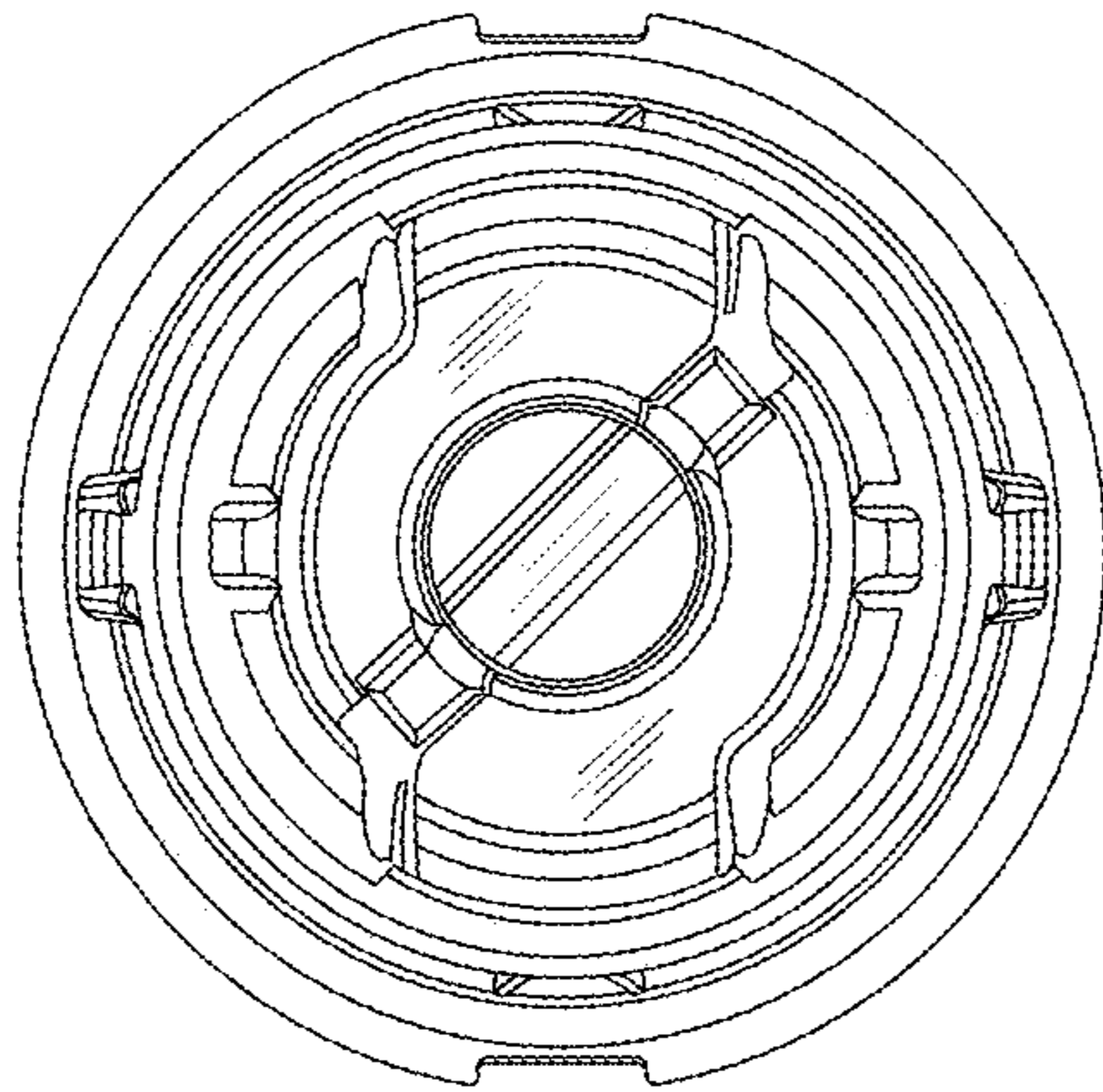


FIG. 11

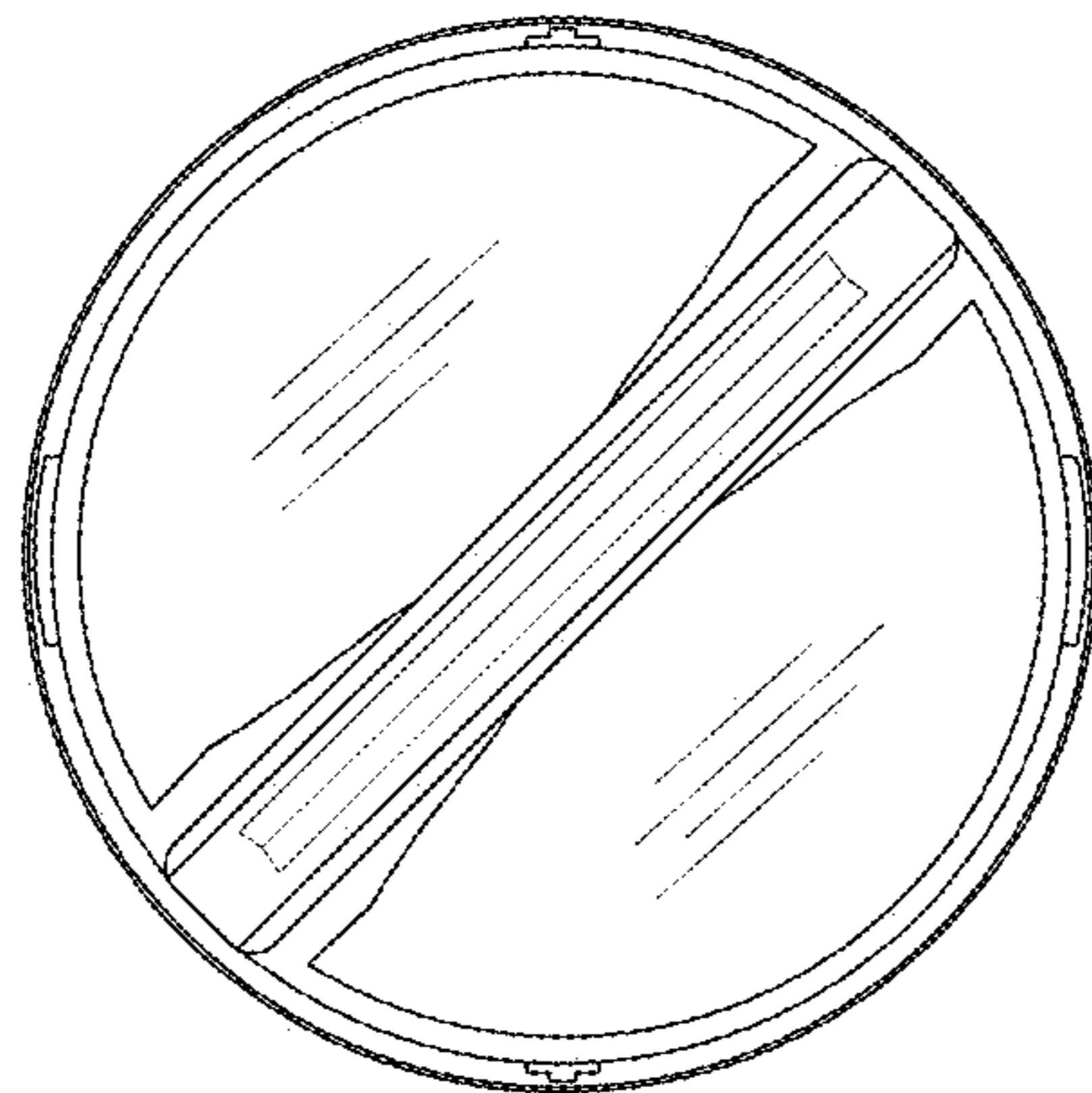
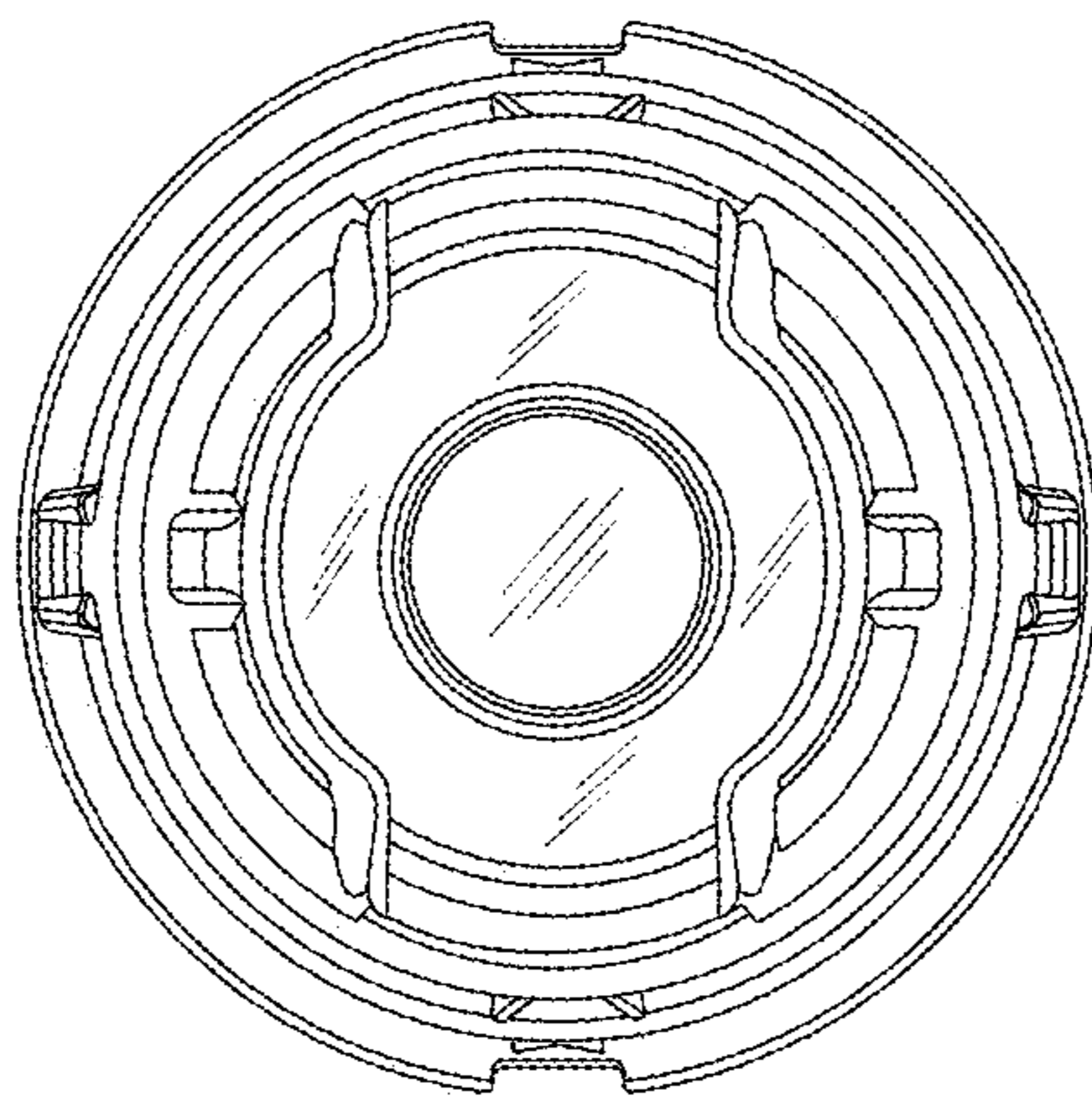


FIG. 12

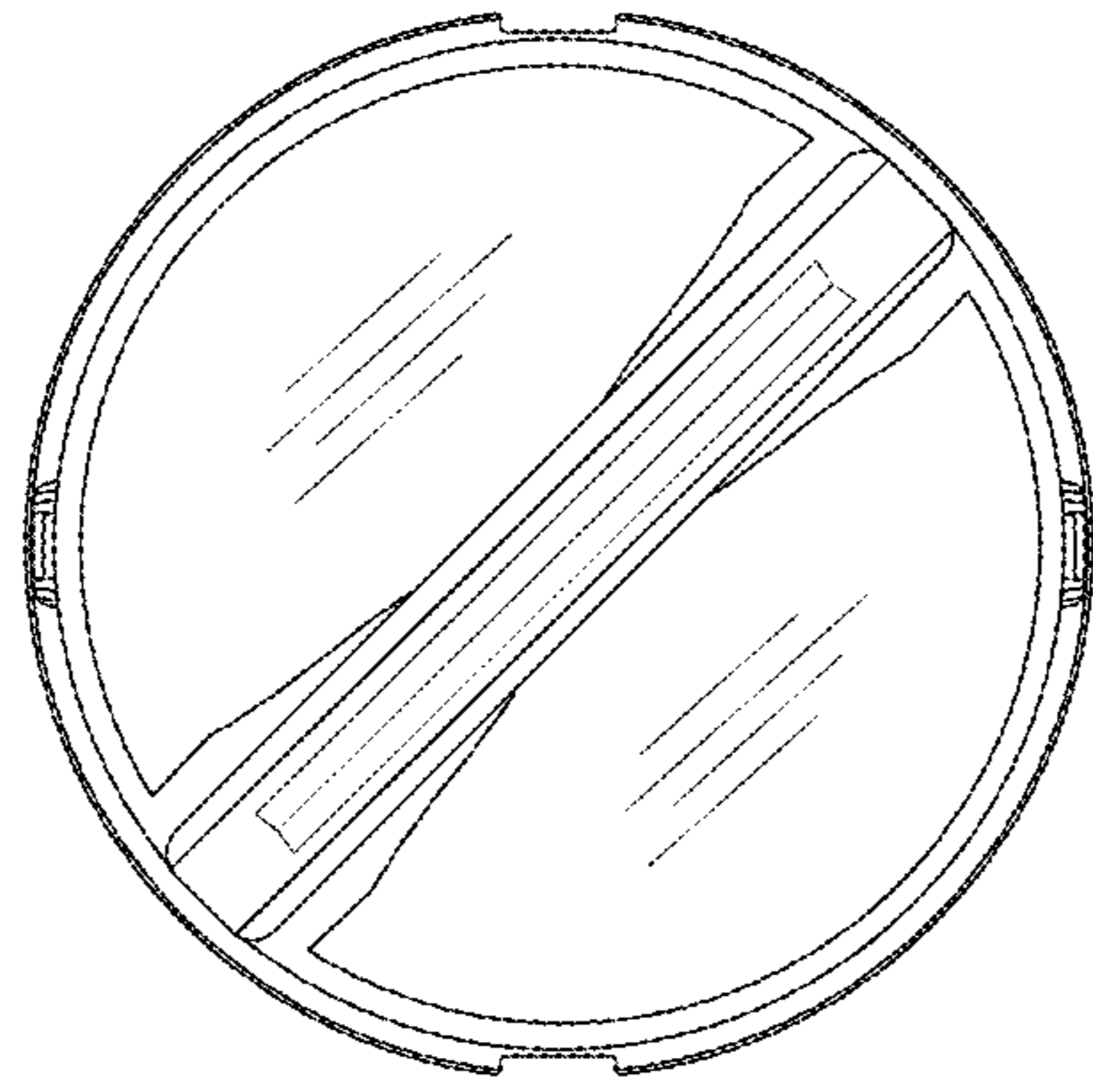


FIG. 13

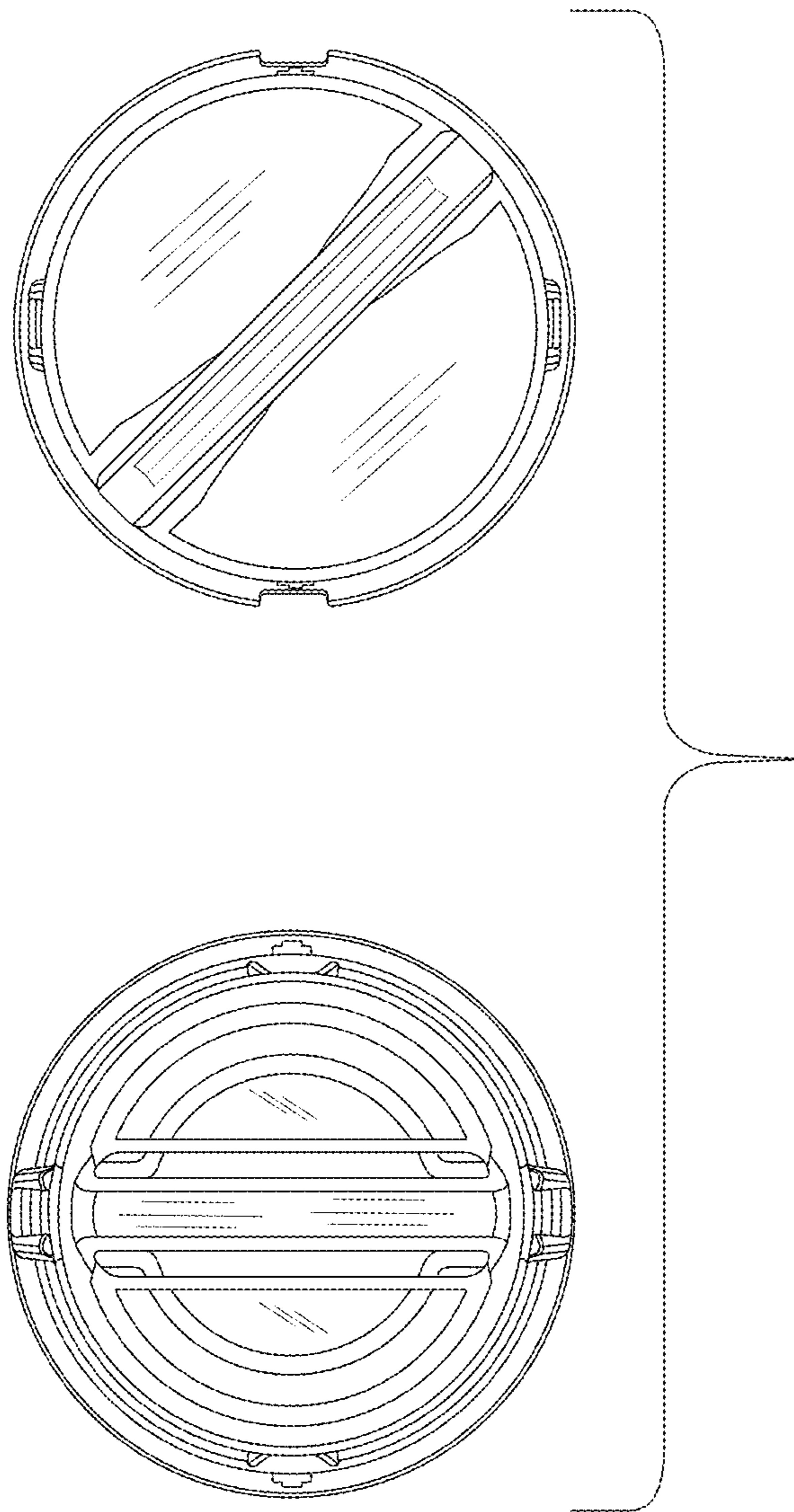


FIG. 14