



US00D914515S

(12) **United States Design Patent** (10) **Patent No.:** **US D914,515 S**  
**Zhu** (45) **Date of Patent:** **\*\* Mar. 30, 2021**

(54) **REUSABLE STORAGE BAG**

(71) Applicant: **Fuxing Zhu**, Xianning (CN)

(72) Inventor: **Fuxing Zhu**, Xianning (CN)

(\*\*) Term: **15 Years**

(21) Appl. No.: **29/747,858**

(22) Filed: **Aug. 26, 2020**

(51) **LOC (13) Cl.** ..... **09-05**

(52) **U.S. Cl.**  
 USPC ..... **D9/705**

(58) **Field of Classification Search**  
 USPC ..... D9/702-714, 499, 442-443, 434-435,  
 D9/415; D24/118, 121, 207; 426/106;  
 383/61.1, 42, 119-120, 106-108, 103,  
 383/127, 114, 907; D3/203.1, 303, 203.2;  
 D27/183, 185, 189; 222/92, 107, 215;  
 220/495.03; 206/406, 811, 484, 260, 527,  
 206/248; 428/35.2  
 CPC ..... B65D 33/004; B65D 33/00; B65D 33/06;  
 B65D 33/12; B65D 29/00; B65D 29/04;  
 B65D 31/00; B65D 31/005; B65D 31/10;  
 B65D 31/02; B65D 31/04; B65D 31/18;  
 B65D 81/00; B65D 81/36

See application file for complete search history.

(56) **References Cited**

U.S. PATENT DOCUMENTS

D322,810 S *	12/1991	Bak	.....	D19/3
D395,005 S *	6/1998	Burton	.....	D19/3
D632,972 S *	2/2011	Yoffe	.....	D9/705
D753,444 S	4/2016	Denis		
D797,572 S *	9/2017	Richard	.....	D9/707
D819,454 S	6/2018	Bra		

\* cited by examiner

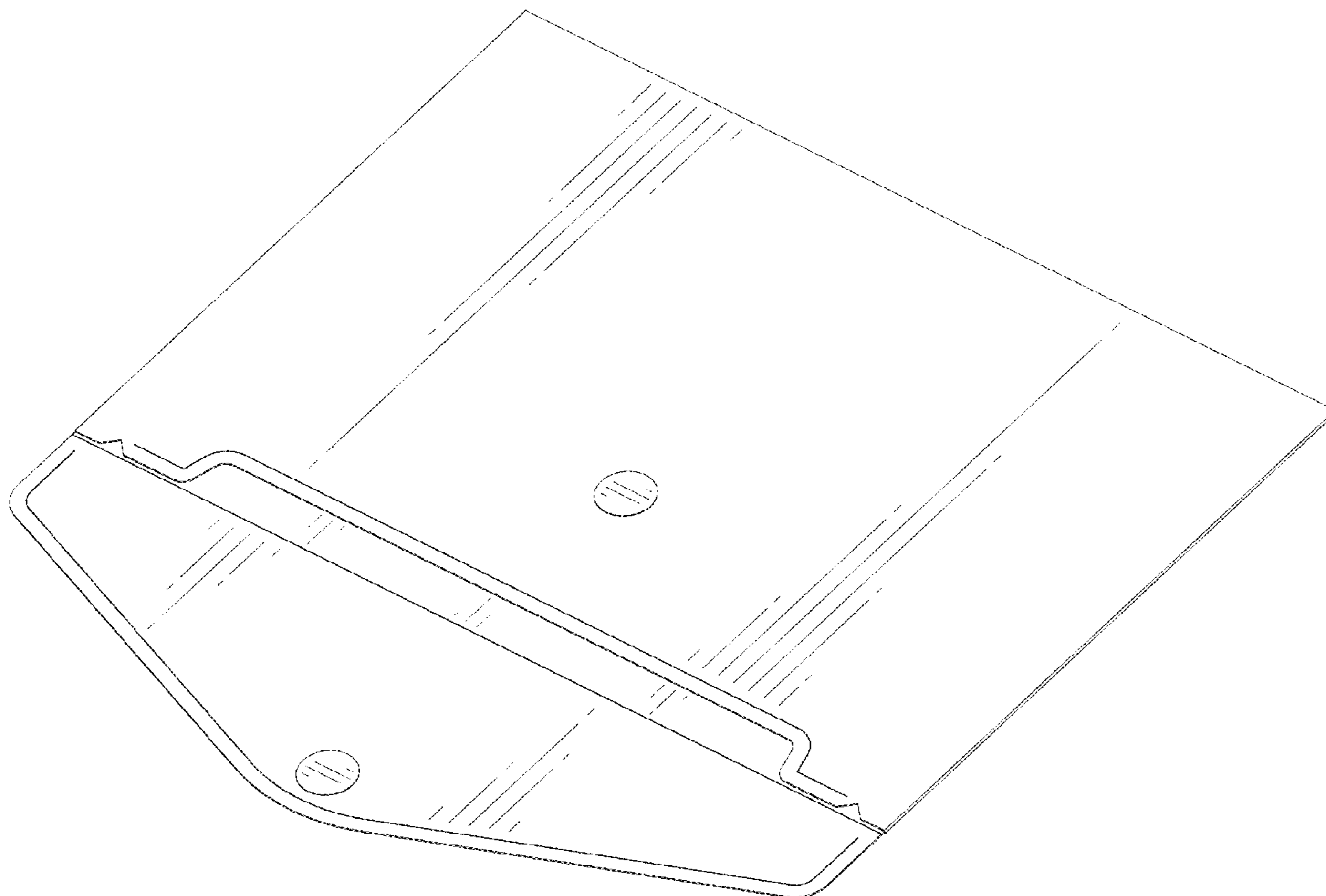
Primary Examiner — Abraham Bahta

(57) **CLAIM**  
 The ornamental design for a reusable storage bag, as shown and described.

**DESCRIPTION**

FIG. 1 is a rear perspective view of a reusable storage bag showing my new design;  
 FIG. 2 is a front perspective view thereof;  
 FIG. 3 is a front elevational view thereof;  
 FIG. 4 is a rear elevational view thereof;  
 FIG. 5 is a left side elevational view thereof;  
 FIG. 6 is a right side elevational view thereof;  
 FIG. 7 is a top plan view thereof; and,  
 FIG. 8 is a bottom plan view thereof

**1 Claim, 8 Drawing Sheets**



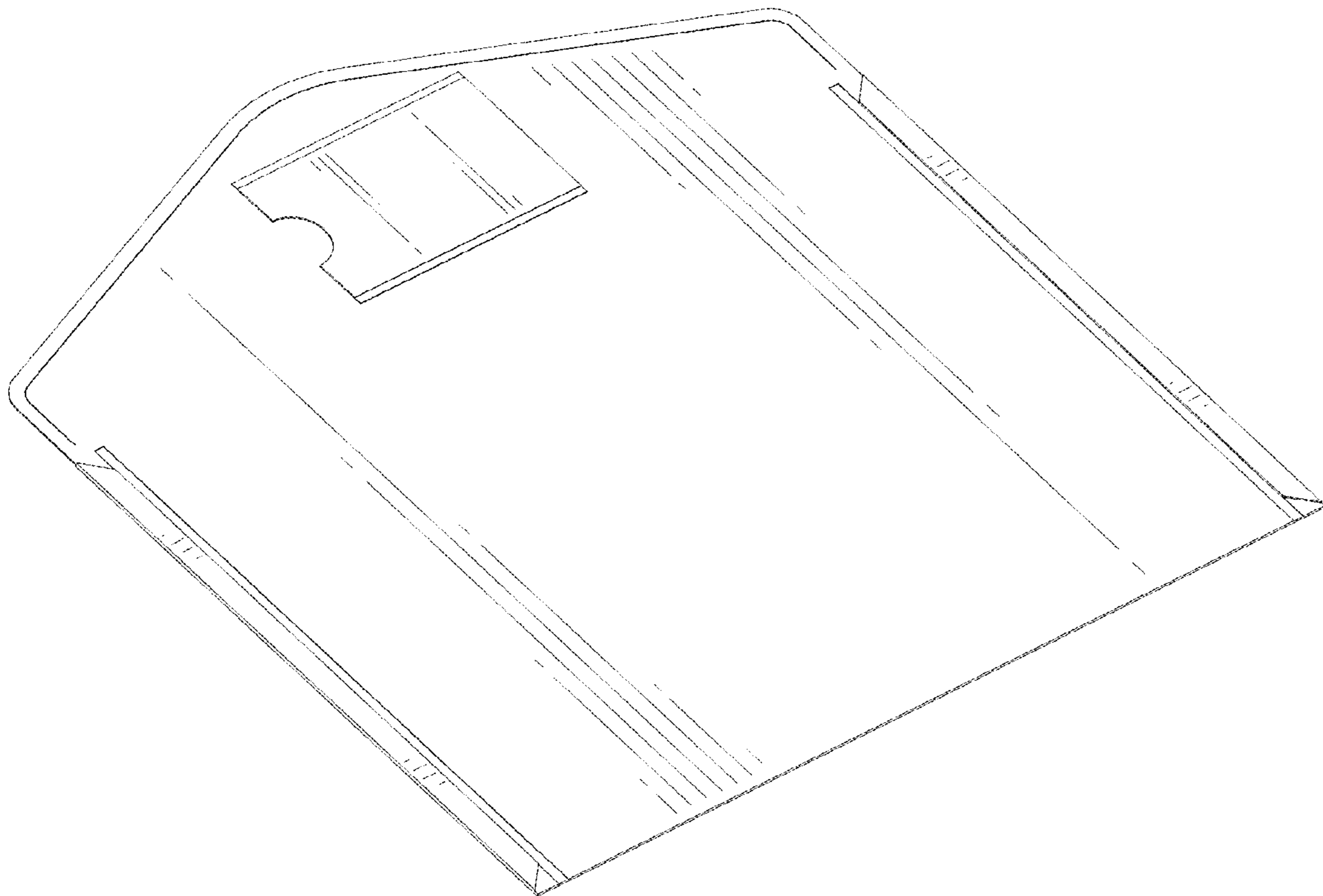


FIG. 1

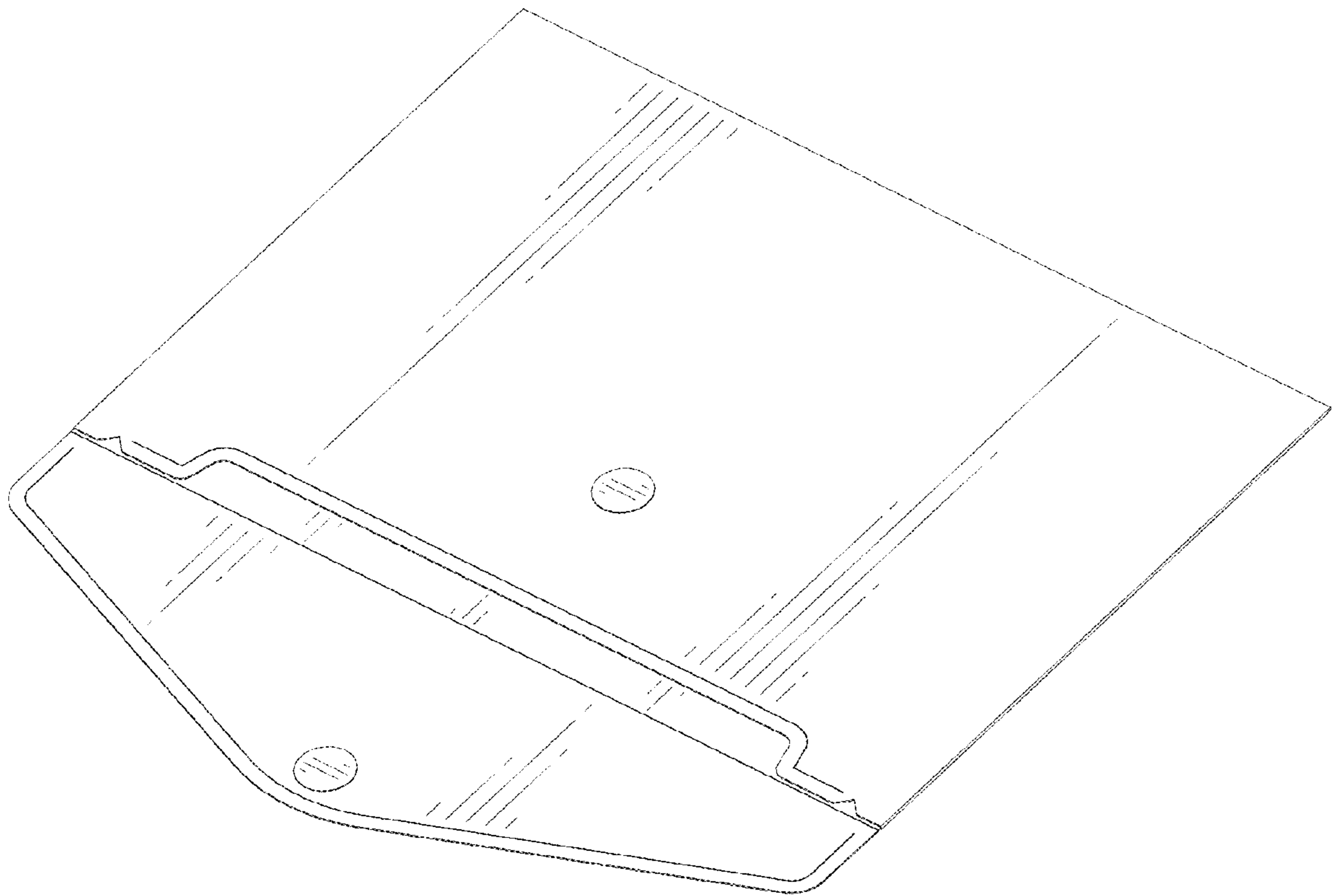


FIG. 2

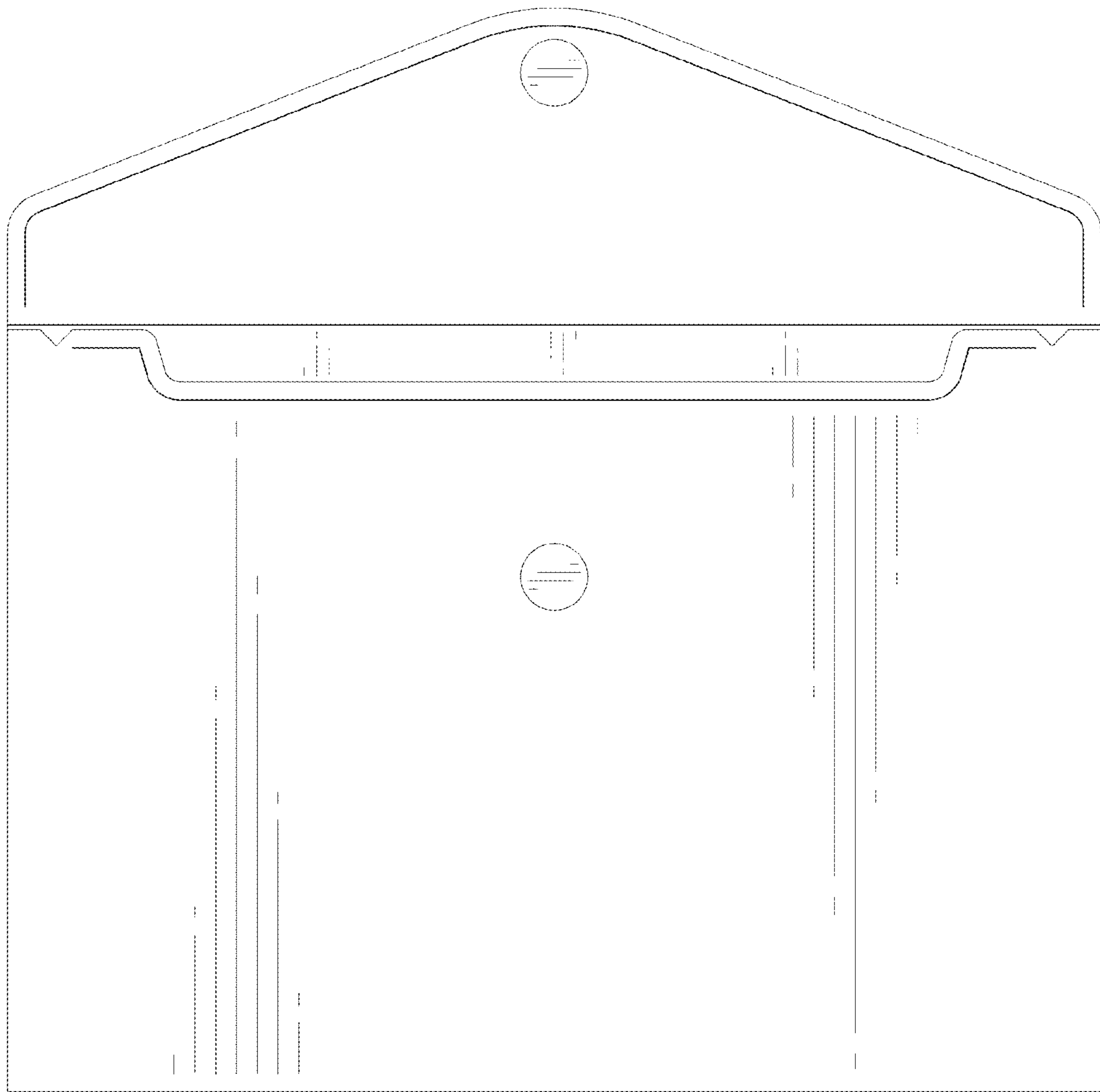


FIG. 3

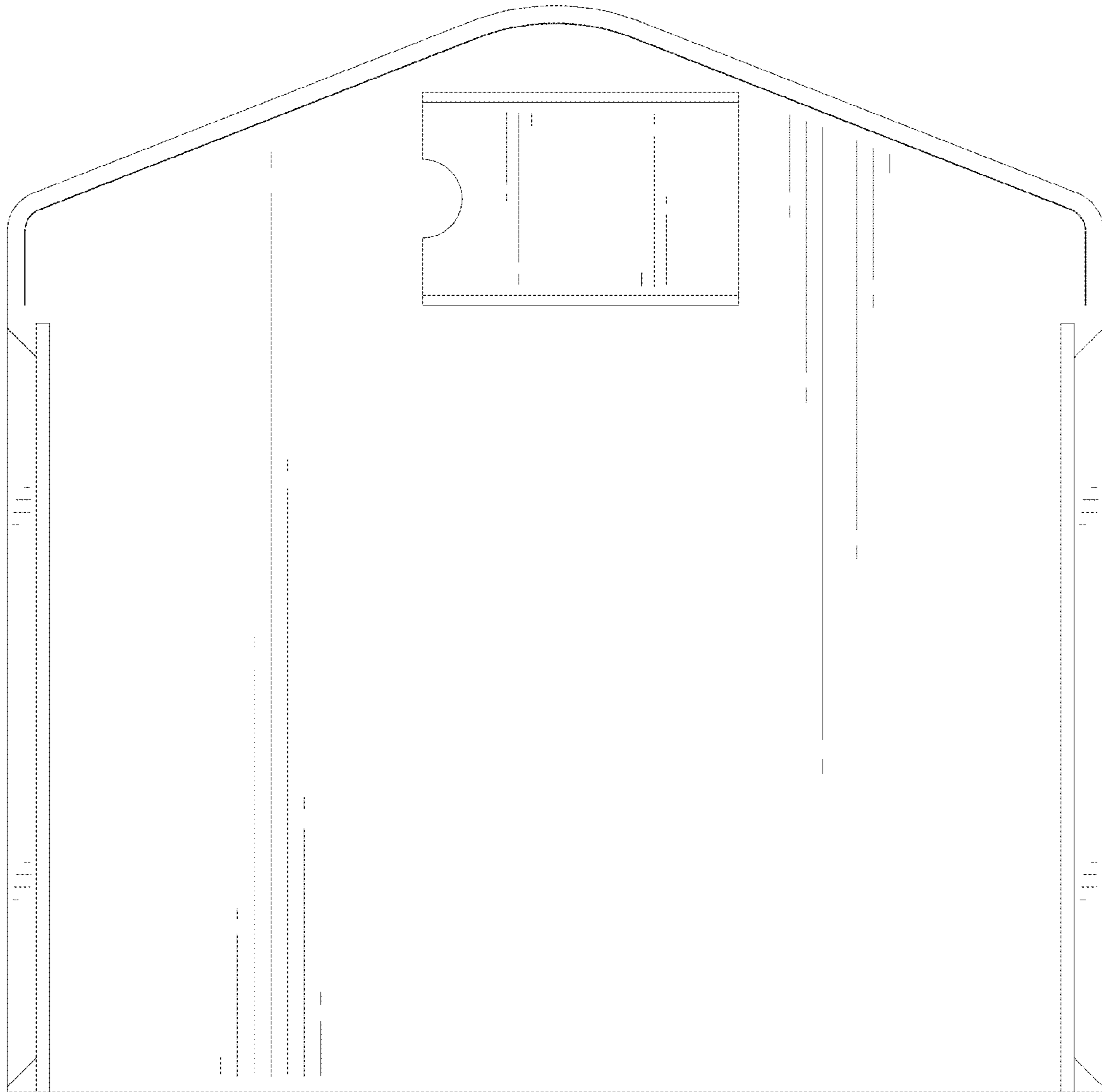


FIG. 4

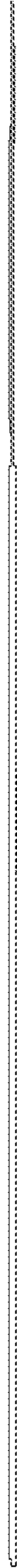


FIG. 5

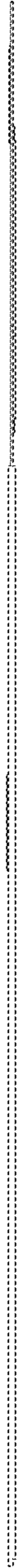


FIG. 6



FIG. 7



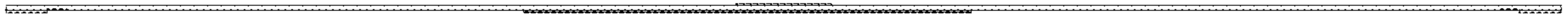


FIG. 8