



US00D914514S

(12) **United States Design Patent**  
**Wintroub et al.**

(10) **Patent No.:** **US D914,514 S**  
(45) **Date of Patent:** **\*\* Mar. 30, 2021**

(54) **DISPENSER**

A47J 39/006; A47J 36/2438; A45D  
34/005; A45D 34/04; A45D 34/02; A45D  
34/06; A45D 2200/051; A45D 2200/05;  
A45D 2200/052

(71) Applicant: **Modafino, LLC**, Lincoln, NE (US)

(72) Inventors: **David Wintroub**, Omaha, NE (US);  
**Thomas Ortiz**, Lincoln, NE (US);  
**David Murphy**, Lincoln, NE (US)

See application file for complete search history.

(\*\*) Term: **15 Years**

(21) Appl. No.: **29/664,311**

(22) Filed: **Sep. 24, 2018**

(51) **LOC (13) Cl.** ..... **09-01**

(52) **U.S. Cl.**  
USPC ..... **D9/688**; D9/503

(58) **Field of Classification Search**  
USPC ..... D6/512, 515, 542, 543; D7/509, 510,  
D7/511, 300, 312, 313, 619.1, 387, 391,  
D7/392, 392.1, 393, 396.1, 396.2, 397,  
D7/398, 900; D9/434, 435, 439, 440,  
D9/443, 444, 445, 447, 448, 449, 450,  
D9/452, 453, 454, 682, 685, 686, 688,  
D9/689, 690, 707, 708, 723, 724, 503;  
D23/206, 213, 214, 226, 227, 249, 259,  
D23/260, 261; D24/112, 113, 127, 162,  
D24/193, 197, 199; D28/4, 76, 77, 84,  
D28/85, 91.1

CPC ..... A61J 1/1412; B65D 1/00; B65D 1/02;  
B65D 1/10; B65D 1/46; B65D 2585/56;  
B65D 2585/545; B65D 47/00; B65D  
47/06; B65D 47/08; B65D 5/46; B65D  
41/00; B65D 41/34; B65D 41/0471;  
B65D 41/122; B65D 41/3438; B65D  
41/3428; B65D 53/02; B65D 23/04;  
B65D 41/0414; B65D 41/0485; B65D  
59/06; B65D 81/3211; B65D 81/325;  
B65D 81/3205; B65D 83/753; B65D  
83/68; B65D 83/752; B01F 3/0479; B01F  
3/0446; B01F 13/002; A47G 19/26; A47G  
19/2266; A47G 19/2205; A47G 19/2272;  
B65F 1/14; A47J 27/04; A47J 27/004;  
A47J 36/24; A47J 36/2411; A47J  
36/2416; A47J 36/2433; A47J 39/00;

(56) **References Cited**

U.S. PATENT DOCUMENTS

D218,552 S \* 9/1970 Nigro ..... D9/688  
D220,941 S \* 6/1971 Usen ..... D9/688  
(Continued)

OTHER PUBLICATIONS

Modafino MODA-CAP Personalized Fragrance Bottle Cap: Announced  
Oct. 2, 2018 [online]. Site Visited [Nov. 16, 2020]. Available from  
Internet URL: <https://www.trendhunter.com/trends/modacap>.\*

*Primary Examiner* — Catherine S Posthauer  
(74) *Attorney, Agent, or Firm* — Mallory M. Henninger;  
Advent, LLP

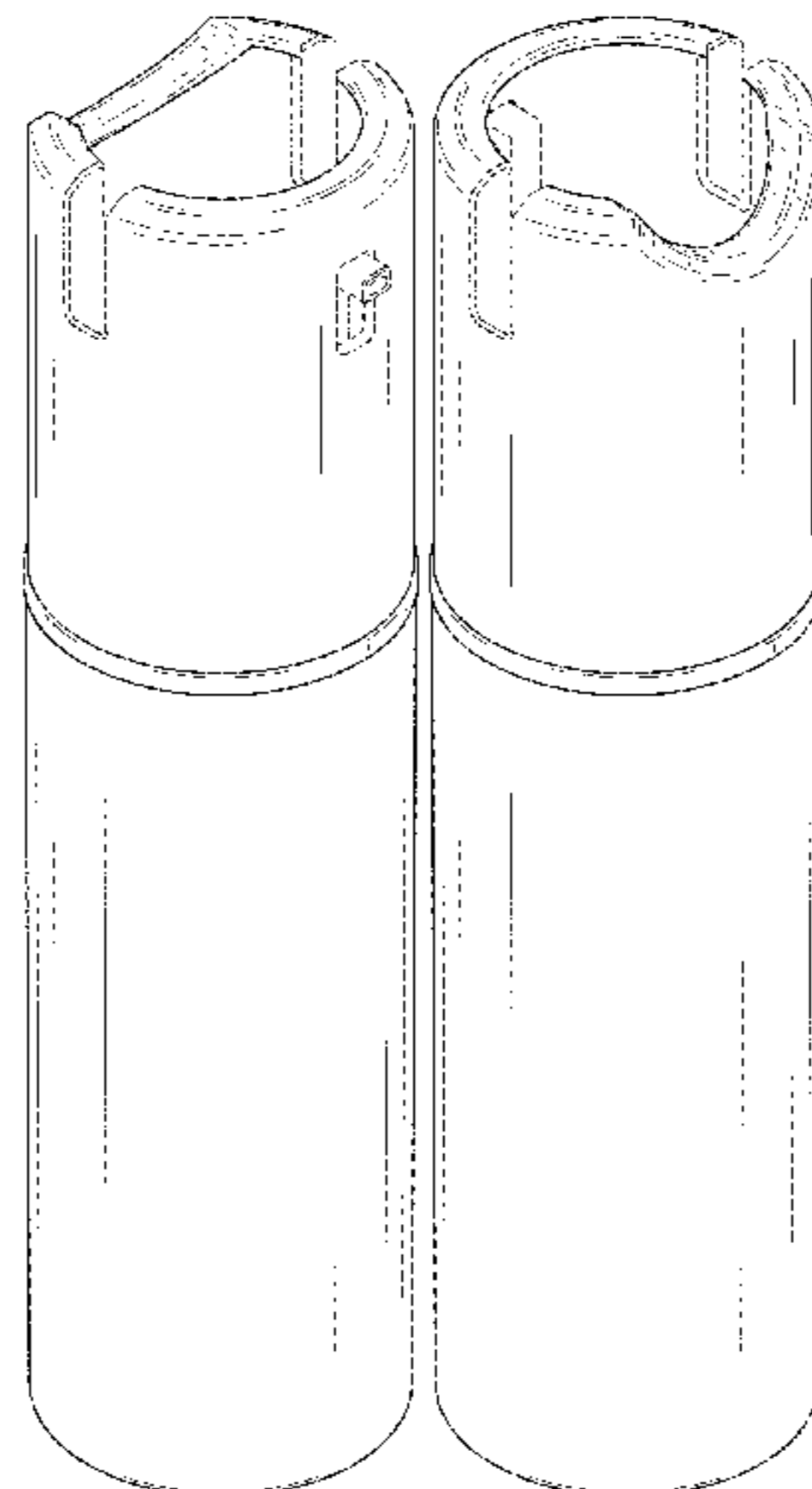
(57) **CLAIM**

The ornamental design for a dispenser, as shown and  
described.

**DESCRIPTION**

FIG. 1 is a top plan view of a dispenser showing our new  
design;  
FIG. 2 is a bottom plan view thereof;  
FIG. 3 is a front elevation view thereof;  
FIG. 4 is a rear elevation view thereof;  
FIG. 5 is a left side elevation view thereof;  
FIG. 6 is a right side elevation view thereof;  
FIG. 7 is a front isometric view thereof; and,  
FIG. 8 is a rear isometric view thereof.  
The evenly broken lines are shown for the purpose of  
illustrating parts of the article that form no part of the claim.  
The interior surfaces of the article as shown in FIGS. 1, 4,  
7, and 8 form no part of the claim.

**1 Claim, 8 Drawing Sheets**



(56)

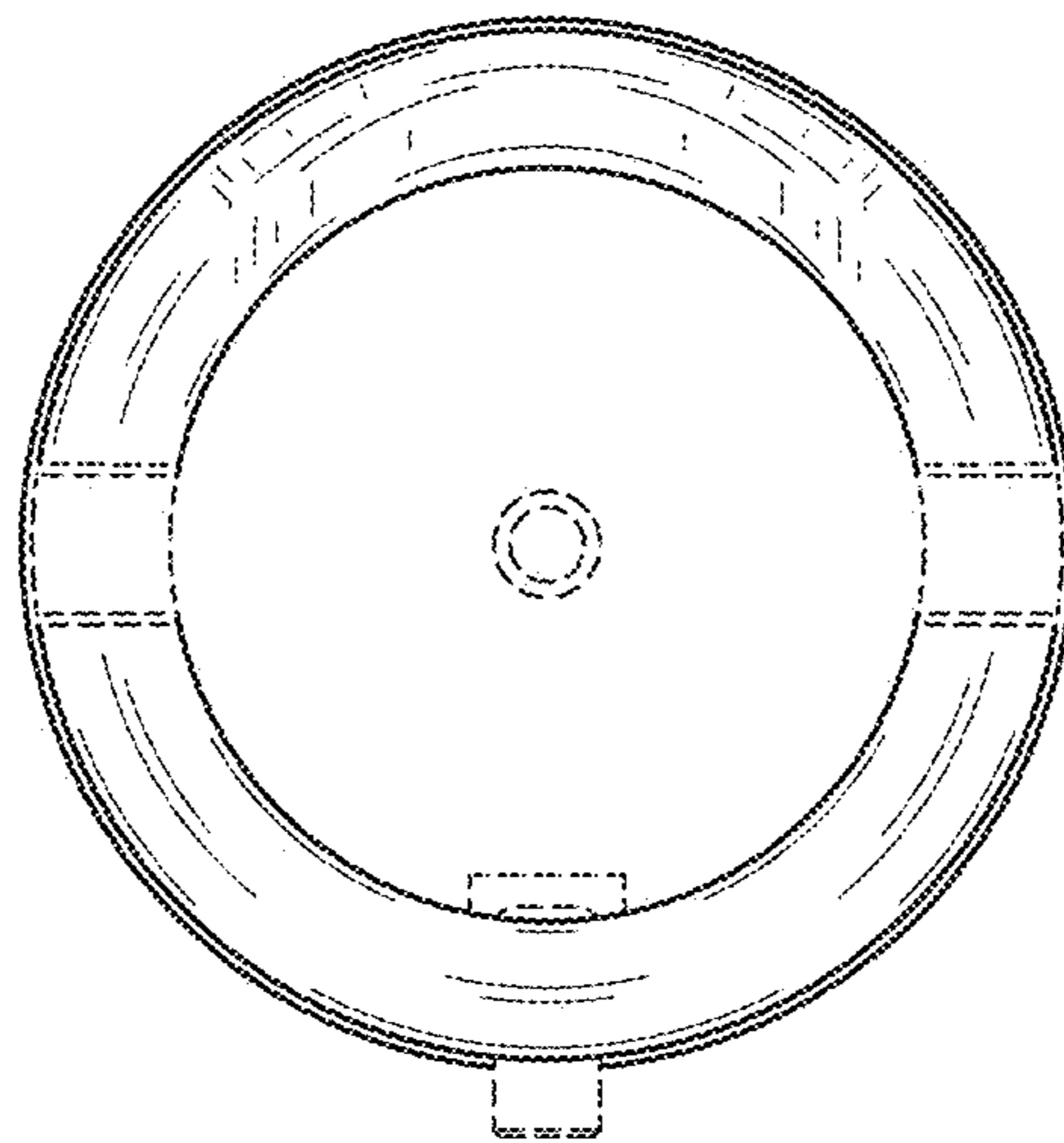
References Cited

U.S. PATENT DOCUMENTS

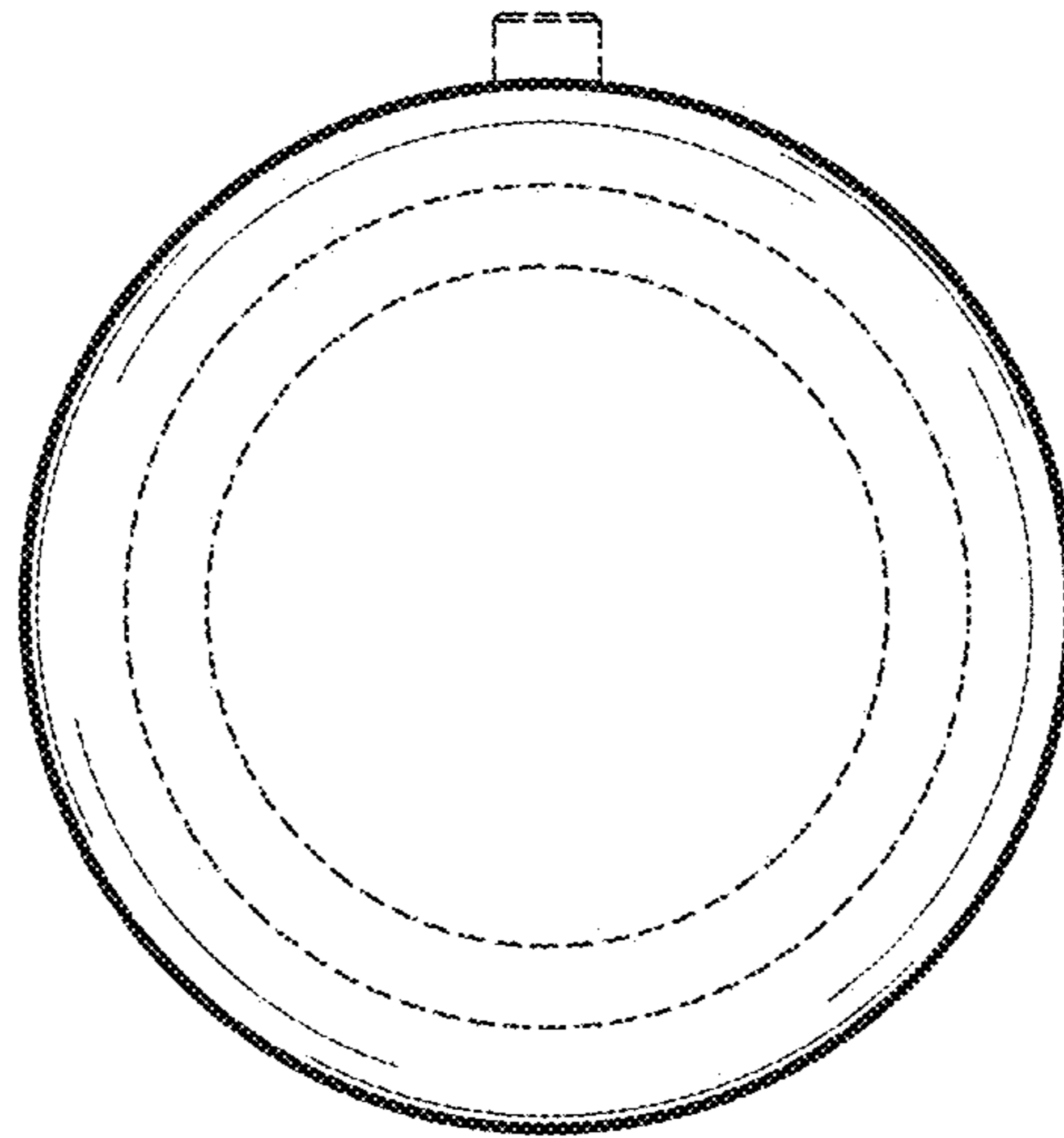
D234,483 S \* 3/1975 Schick ..... D6/543  
 6,318,583 B1 \* 11/2001 Owens ..... B65D 83/38  
 215/384  
 6,318,595 B1 \* 11/2001 Walters ..... B05B 11/3001  
 222/1  
 D511,690 S \* 11/2005 Garcia ..... D9/682  
 D531,440 S \* 11/2006 Lo ..... D6/542  
 D551,003 S \* 9/2007 Leonard ..... D6/543  
 D566,550 S \* 4/2008 Jacobs ..... D9/448  
 D650,696 S \* 12/2011 Peden, III ..... D9/686  
 D669,791 S \* 10/2012 Peden, III ..... D9/686  
 D690,130 S \* 9/2013 Clough ..... D6/542  
 D690,131 S \* 9/2013 Clough ..... D6/542  
 D690,530 S \* 10/2013 Clough ..... D6/542  
 D696,140 S \* 12/2013 Servaire ..... D9/686

D696,962 S \* 1/2014 Chen ..... D9/688  
 D713,736 S \* 9/2014 Chen ..... D9/688  
 D714,160 S \* 9/2014 Park ..... D9/688  
 D738,740 S \* 9/2015 Chen ..... D9/688  
 D751,415 S \* 3/2016 Otani ..... D9/686  
 D756,238 S \* 5/2016 Chen ..... D9/688  
 D843,844 S \* 3/2019 Song ..... D9/688  
 D846,998 S \* 4/2019 Bos ..... D9/688  
 D856,814 S \* 8/2019 Villarreal ..... D9/688  
 D862,244 S \* 10/2019 Servaire ..... D9/688  
 D868,244 S \* 11/2019 Cox ..... D24/112  
 D878,554 S \* 3/2020 Preiss ..... D24/112  
 2013/0112771 A1 \* 5/2013 Ki ..... A45D 34/04  
 239/102.2  
 2018/0037400 A1 \* 2/2018 Kuntzelman ..... B29C 73/025  
 2018/0334280 A1 \* 11/2018 Ni ..... H02J 7/025  
 2019/0307225 A1 \* 10/2019 Yang ..... A45D 34/042

\* cited by examiner



**FIG. 1**



**FIG. 2**

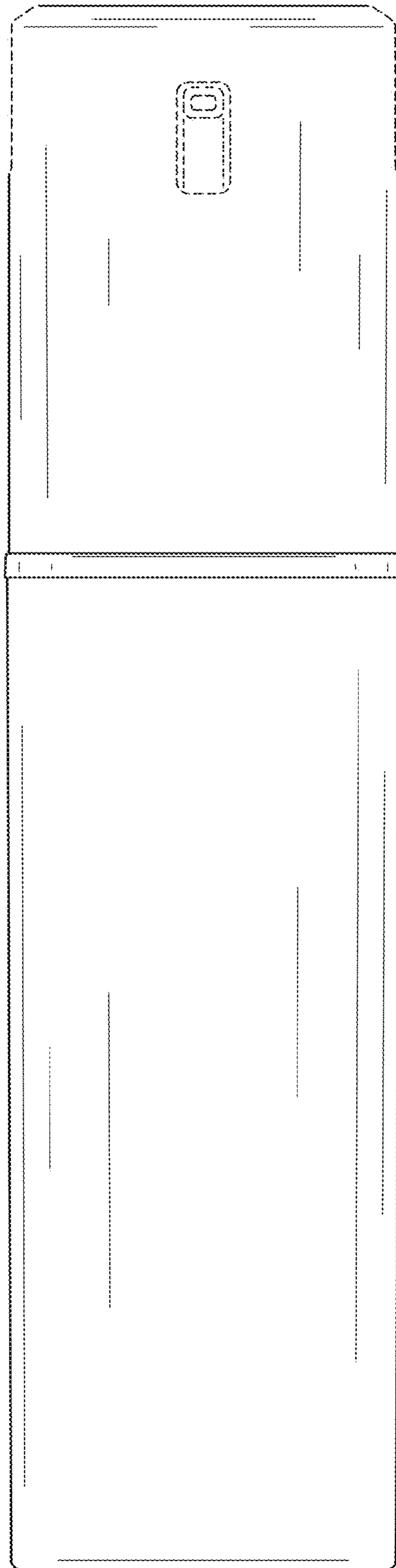


FIG. 3

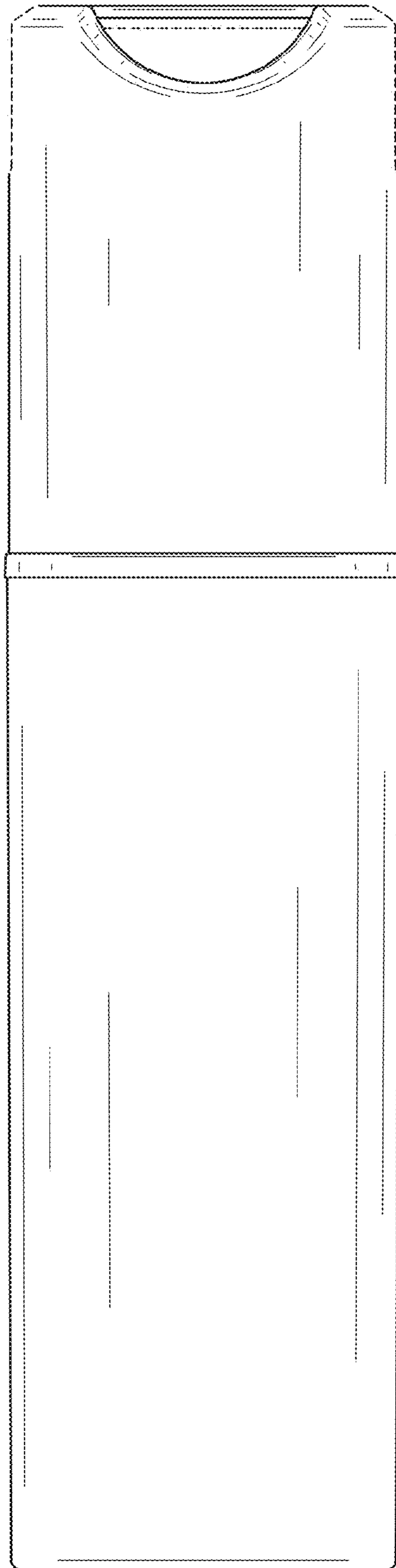


FIG. 4

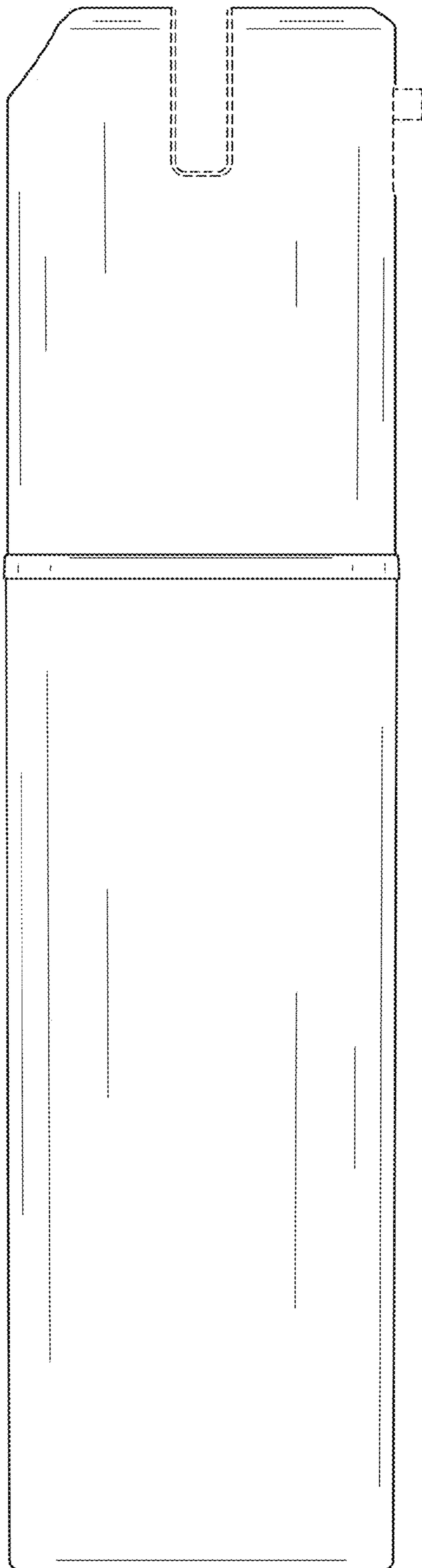


FIG. 5

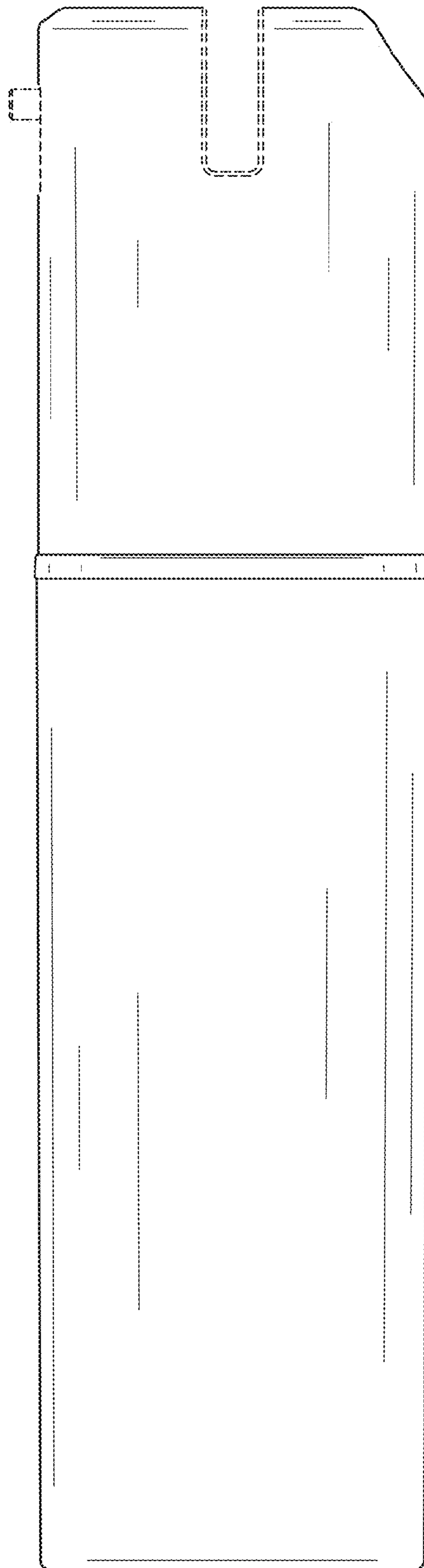


FIG. 6



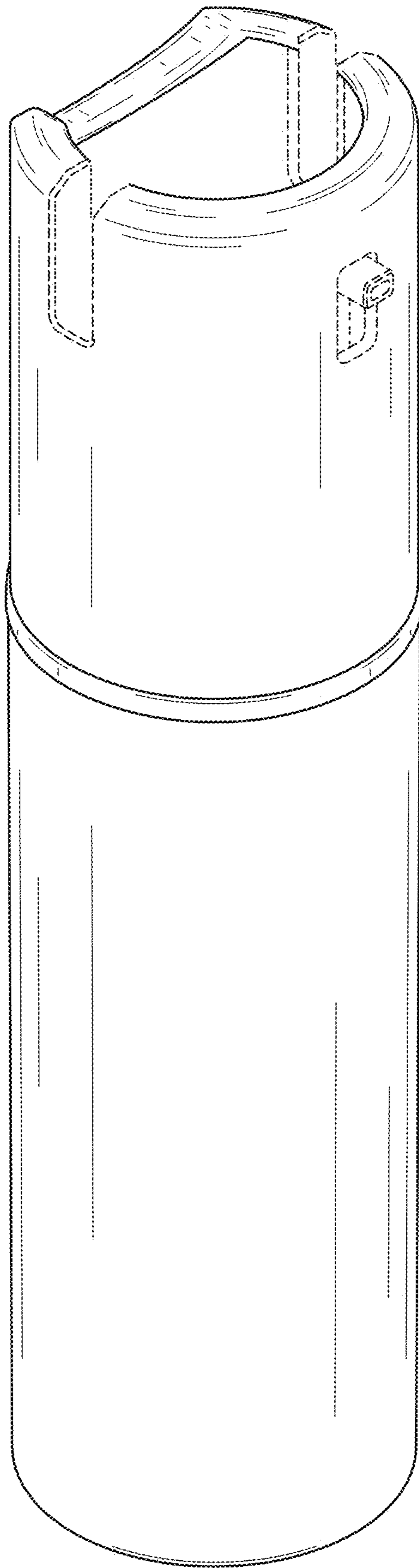


FIG. 7

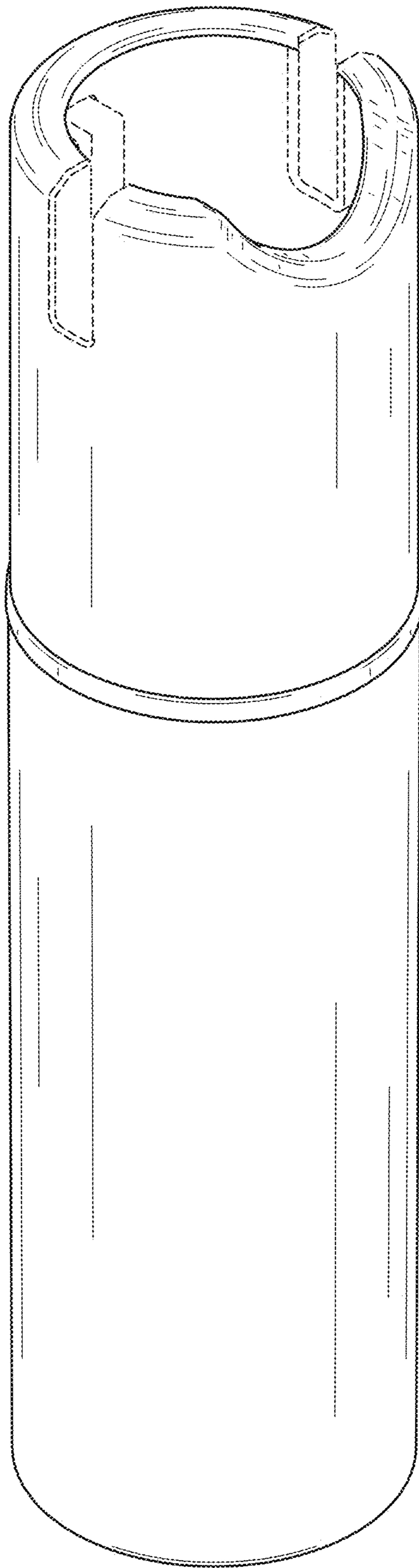


FIG. 8