



US00D914513S

(12) **United States Design Patent**
Matsuishi

(10) **Patent No.:** **US D914,513 S**
(45) **Date of Patent:** **** Mar. 30, 2021**

- (54) **BOTTLE FOR COSMETICS**
- (71) Applicant: **Midori Matsuishi**, Tokyo (JP)
- (72) Inventor: **Midori Matsuishi**, Tokyo (JP)
- (73) Assignee: **SHISEIDO CO., LTD.**, Tokyo (JP)
- (**) Term: **15 Years**
- (21) Appl. No.: **29/678,871**

D423,922 S *	5/2000	Ohchi	D9/503
D424,942 S *	5/2000	Ohchi	D9/503
D434,645 S *	12/2000	Adachi	D9/694
D437,212 S *	2/2001	Adachi	D9/686
D469,684 S *	2/2003	Lerolle	D9/682
D521,390 S *	5/2006	Andoh	D9/542
D580,769 S *	11/2008	Lloyd	D9/435
D808,280 S *	1/2018	Nagata	D9/560
D814,308 S *	4/2018	Aebi	D9/560
D851,497 S *	6/2019	Zhu	D9/687
2007/0000948 A1 *	1/2007	Adler	B05B 11/0038 222/209

- (22) Filed: **Jan. 31, 2019**
- (51) **LOC (13) Cl.** **09-01**
- (52) **U.S. Cl.**
USPC **D9/687**; D9/694
- (58) **Field of Classification Search**
USPC D9/682, 686-689, 694, 516, 529, 541,
D9/546, 559, 561, 560, 723-729,
D9/434-436, 445, 448, 452; D28/76, 77,
D28/83, 84, 85, 91.1
CPC .. B65D 83/14-759; B05B 11/00-3098; A45D
34/00; A45D 34/02; A45D 34/04; A45D
34/06; A45D 2034/002; A45D 2034/005;
A45D 2034/007; A45D 40/00; A45D
40/26; A45D 2200/054-058
See application file for complete search history.

FOREIGN PATENT DOCUMENTS

CN	303529086	*	12/2015
CN	304582396	*	4/2018
CN	305008118	*	1/2019
EM	005138526-0001	*	4/2018
EM	005830874-0001	*	12/2018
JP	D1565637	*	12/2016
KR	300449352.0001	*	5/2007

(Continued)

Primary Examiner — Catherine A Tuttle
(74) *Attorney, Agent, or Firm* — Manabu Kanesaka

(56) **References Cited**

U.S. PATENT DOCUMENTS

853,887 A *	5/1907	La Tremouille	B65D 1/0223 215/367
D94,008 S *	12/1934	Westlake	D9/546
D130,199 S *	10/1941	Mamlock	D9/544
D220,168 S *	3/1971	Gelak et al.	D9/416
D258,421 S *	3/1981	Polatschek	D9/520
D266,987 S *	11/1982	Perez Carasa y Perez de Guzman	D9/448
D302,873 S *	8/1989	Sayn Wittgenstein	D28/85
D396,186 S *	7/1998	Fiore	D9/529
D419,073 S *	1/2000	Jauffret	D9/520

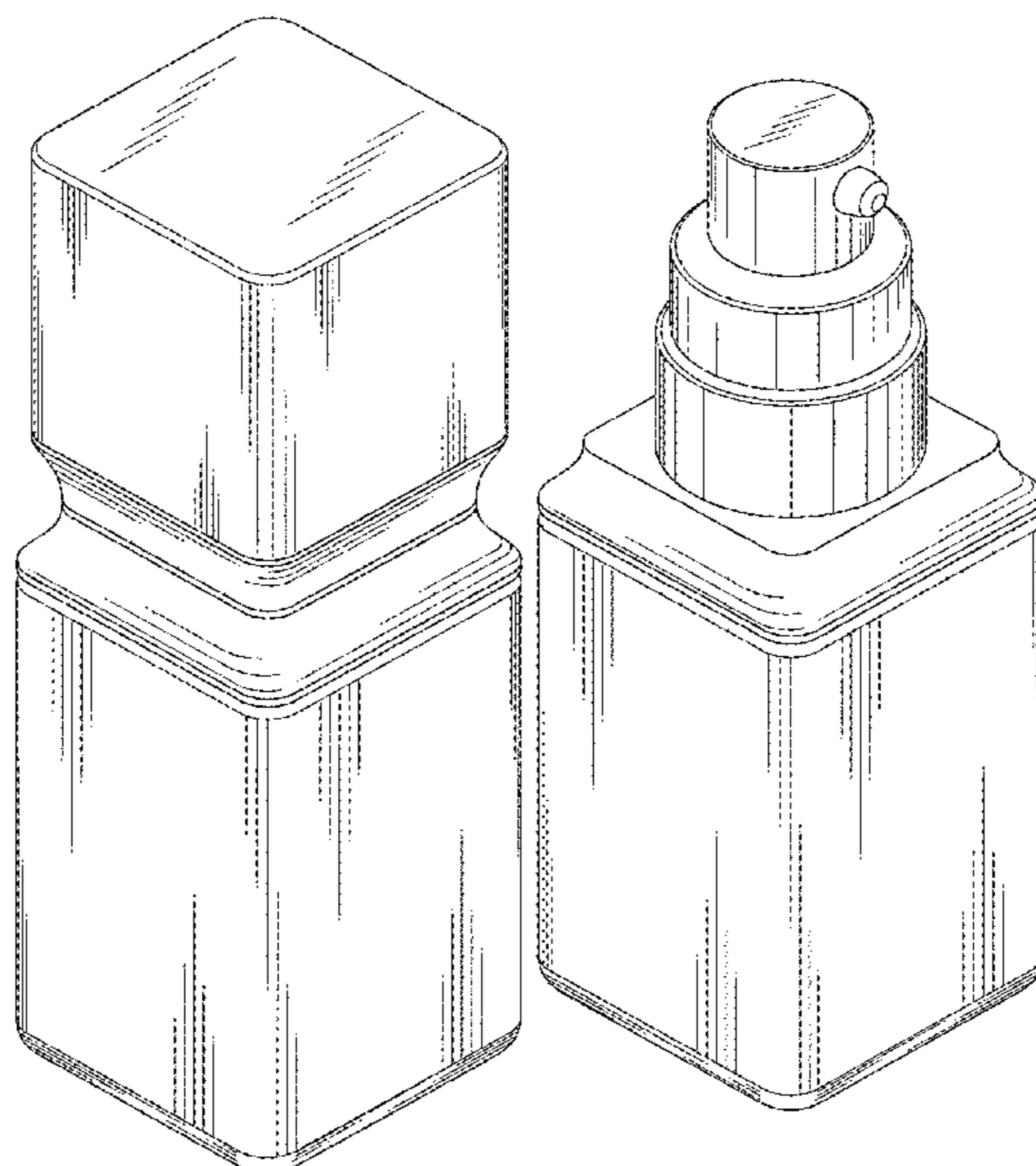
(57) **CLAIM**

The ornamental design for a bottle for cosmetics, as shown and described.

DESCRIPTION

FIG. 1 is a perspective view of a bottle for cosmetics showing my new design;
FIG. 2 is a front view thereof, the rear, left and right side views being identical thereto;
FIG. 3 is a top plan view thereof;
FIG. 4 is a bottom plan view thereof;
FIG. 5 is a front view shown with the lid removed to disclose the underlying parts; and,
FIG. 6 is a perspective view, thereof.

1 Claim, 6 Drawing Sheets



(56)

References Cited

FOREIGN PATENT DOCUMENTS

KR	300579084.0000	*	11/2010
KR	300816016-0000	*	9/2015

* cited by examiner

Fig.1

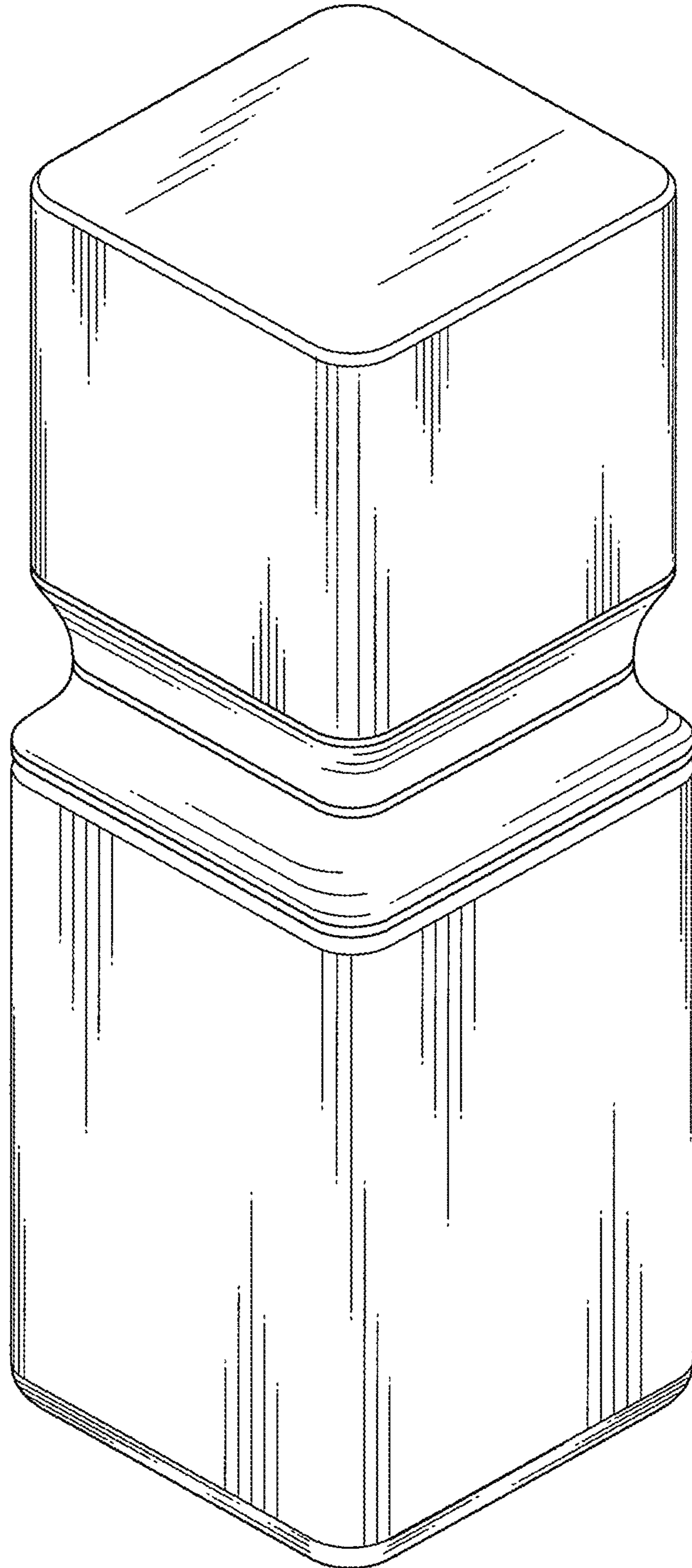


Fig.2

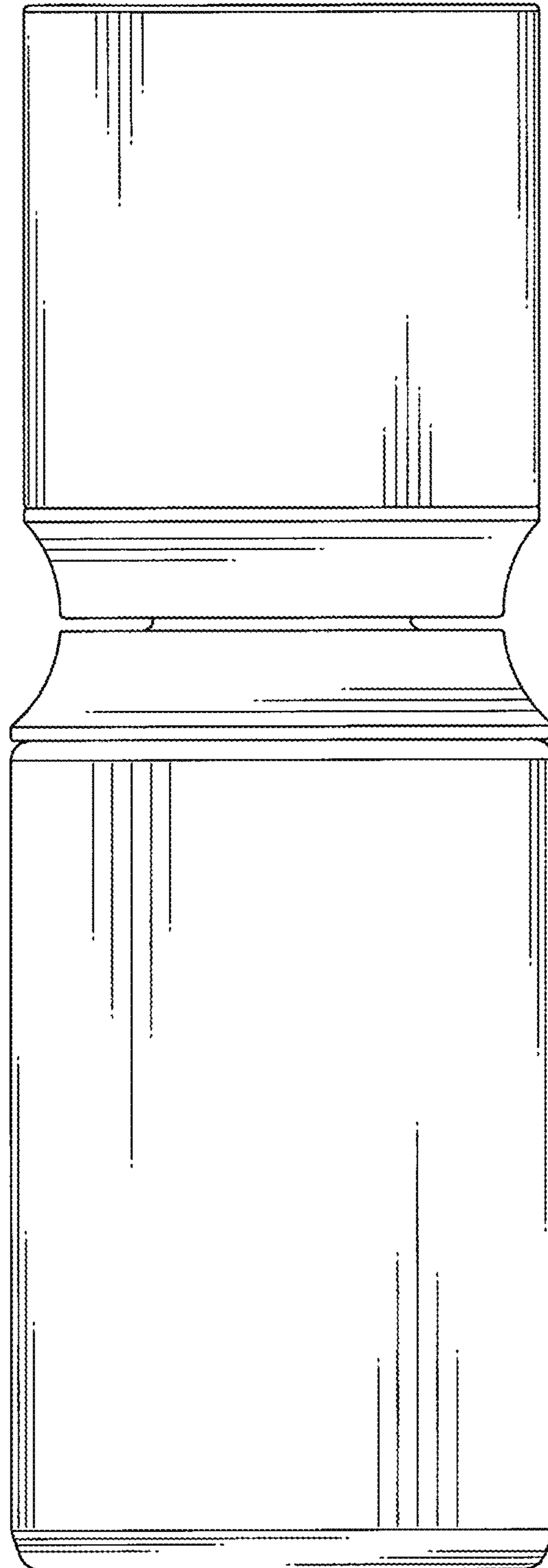


Fig.3

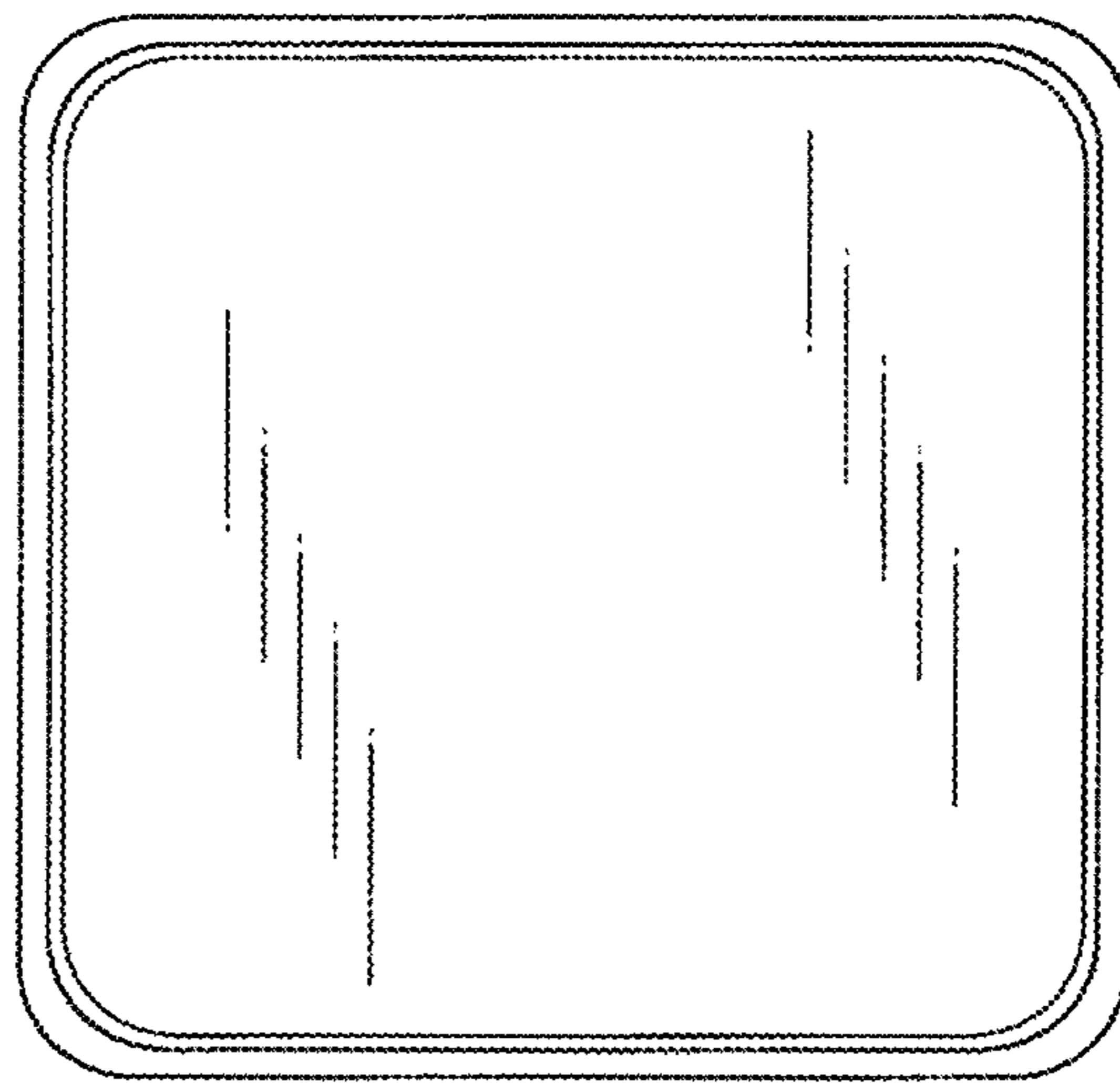


Fig.4

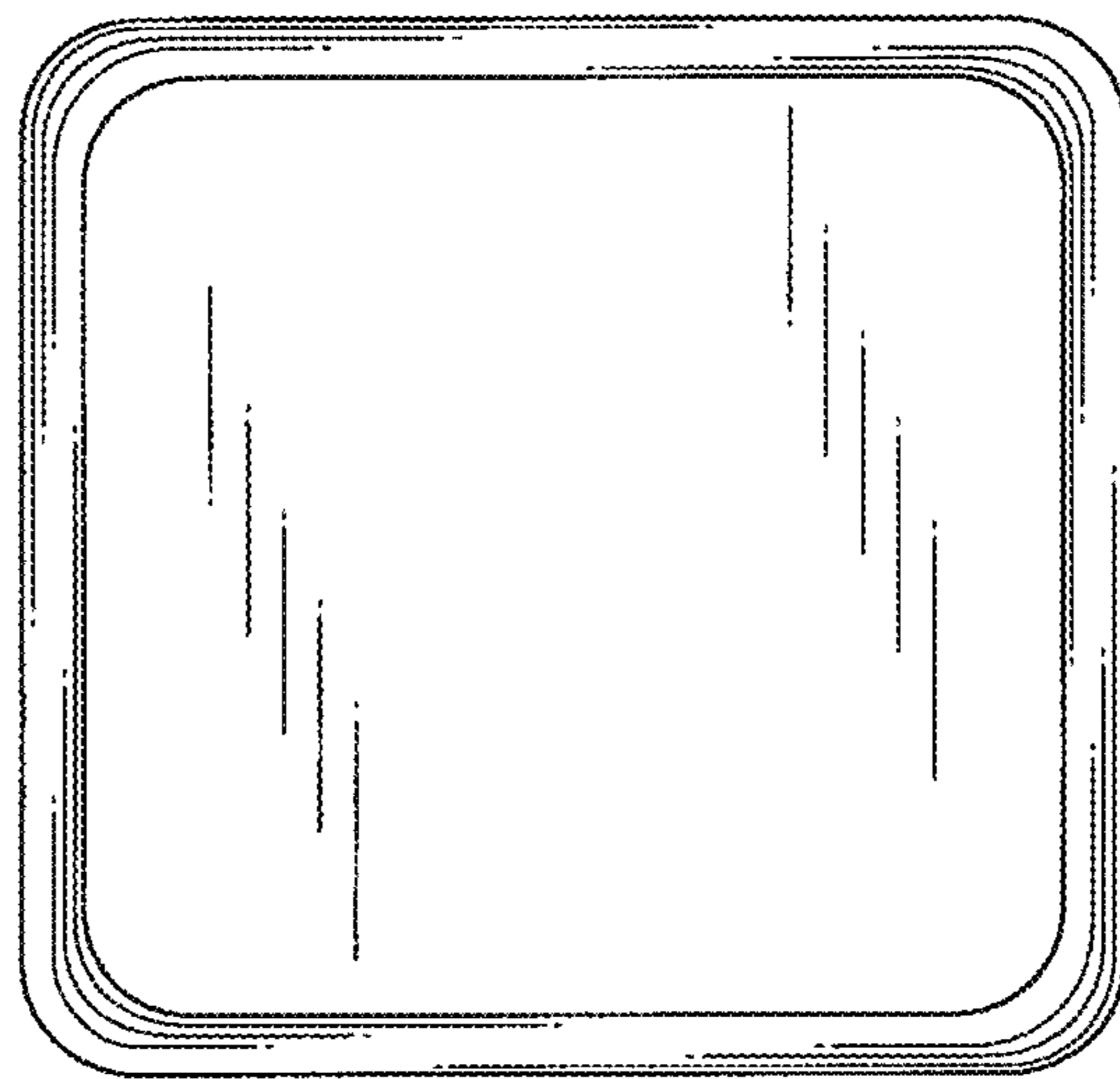


Fig.5

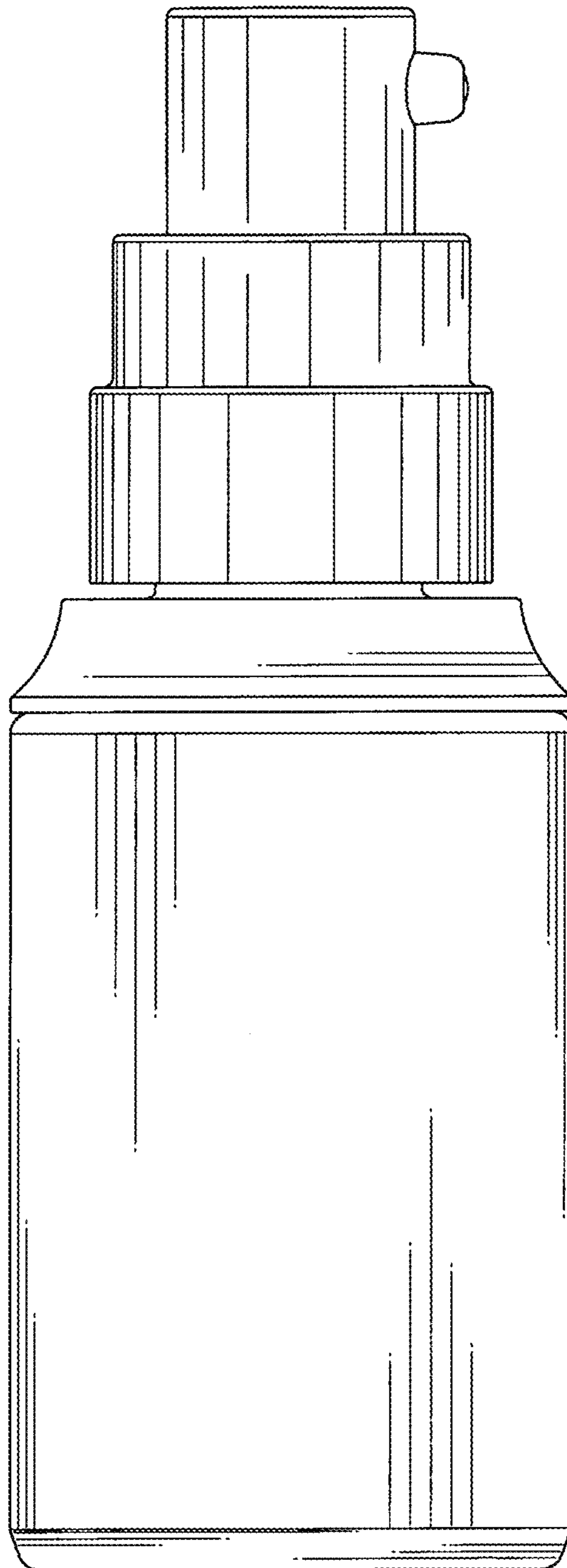


Fig.6

