



US00D914512S

(12) **United States Design Patent**
Sánchez Núñez

(10) **Patent No.:** **US D914,512 S**

(45) **Date of Patent:** **** Mar. 30, 2021**

(54) **DUMBBELL WATER BOTTLE**

(71) Applicant: **Elizabeth Karina Sánchez Núñez**,
Chino Hills, CA (US)

(72) Inventor: **Elizabeth Karina Sánchez Núñez**,
Chino Hills, CA (US)

(**) Term: **15 Years**

(21) Appl. No.: **29/719,122**

(22) Filed: **Dec. 31, 2019**

(51) **LOC (13) Cl.** **09-01**

(52) **U.S. Cl.**
USPC **D9/668**

(58) **Field of Classification Search**

USPC D9/600, 668, 500-505, 516, 537-546,
D9/549-558; 206/457, 494, 459.5, 527,
206/540; 229/116.1; 215/381-384, 400;
D7/514-516, 539, 544, 571, 579, 604,
D7/613, 619.2, 628-630, 391-392.1;
D3/270-271.3; D21/680-682
CPC B65D 67/00; B65D 81/36; B65D 81/60;
B65D 81/368; B65D 2203/00; B65D
2203/02; B65D 5/42; B65D 5/4208;
B65D 77/00; A63H 33/16

See application file for complete search history.

(56) **References Cited**

U.S. PATENT DOCUMENTS

D465,151 S * 11/2002 *Mixon* D9/668
D580,271 S * 11/2008 *Tsai* D9/668

D596,492 S * 7/2009 *Safdieh* D21/682
D600,122 S * 9/2009 *Strasser* D9/668
D627,234 S * 11/2010 *Hanak* D9/668
D628,085 S * 11/2010 *Hanak* D9/668
8,047,390 B2 * 11/2011 *Strasser* B65D 79/005
215/381
D695,128 S * 12/2013 *Ozsinmaz* D9/668
D799,980 S * 10/2017 *Michan Chavez* D9/668

* cited by examiner

Primary Examiner — Sandra L Morris

(74) *Attorney, Agent, or Firm* — Carson Patents; Gregory
D Carson

(57) **CLAIM**

The ornamental design for a dumbbell water bottle, as
shown and described.

DESCRIPTION

FIG. 1 is the dumbbell water bottle in three-dimensional
view, highlighting the top of the device.

FIG. 2 is the front view of the dumbbell water bottle.

FIG. 3 is the back view of the dumbbell water bottle.

FIG. 4 is the right side view of the dumbbell water bottle.

FIG. 5 is the left side view of the dumbbell water bottle.

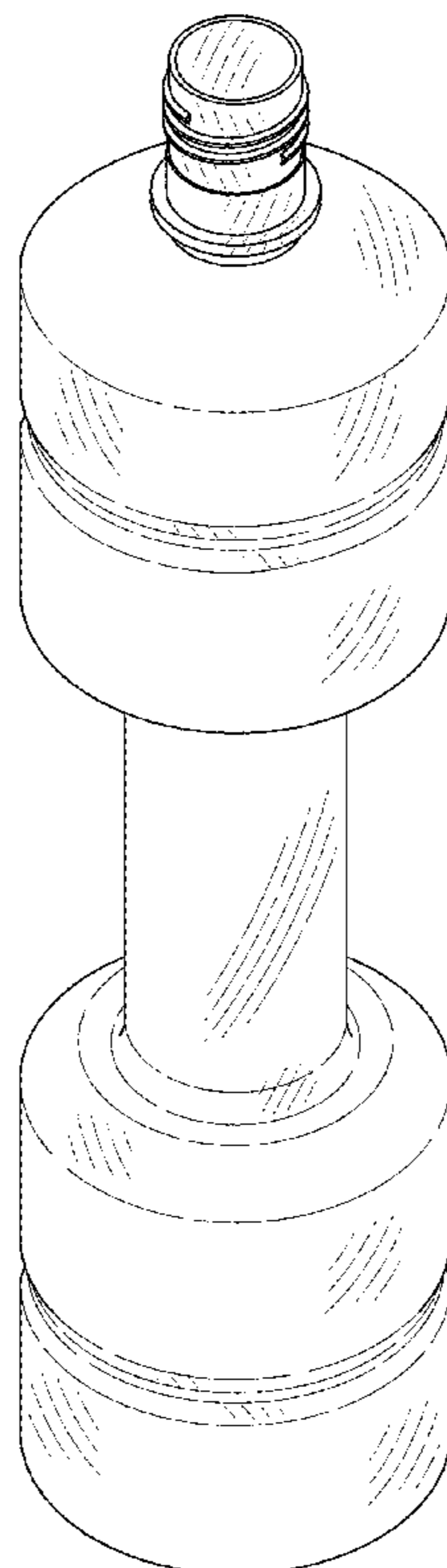
FIG. 6 is the top view of the dumbbell water bottle.

FIG. 7 is the bottom view of the dumbbell water bottle; and,

FIG. 8 is the dumbbell water bottle in three-dimensional
view, highlighting the bottom of the device.

The dumbbell water bottle is a distinctive dumbbell shaped
water bottle.

1 Claim, 5 Drawing Sheets



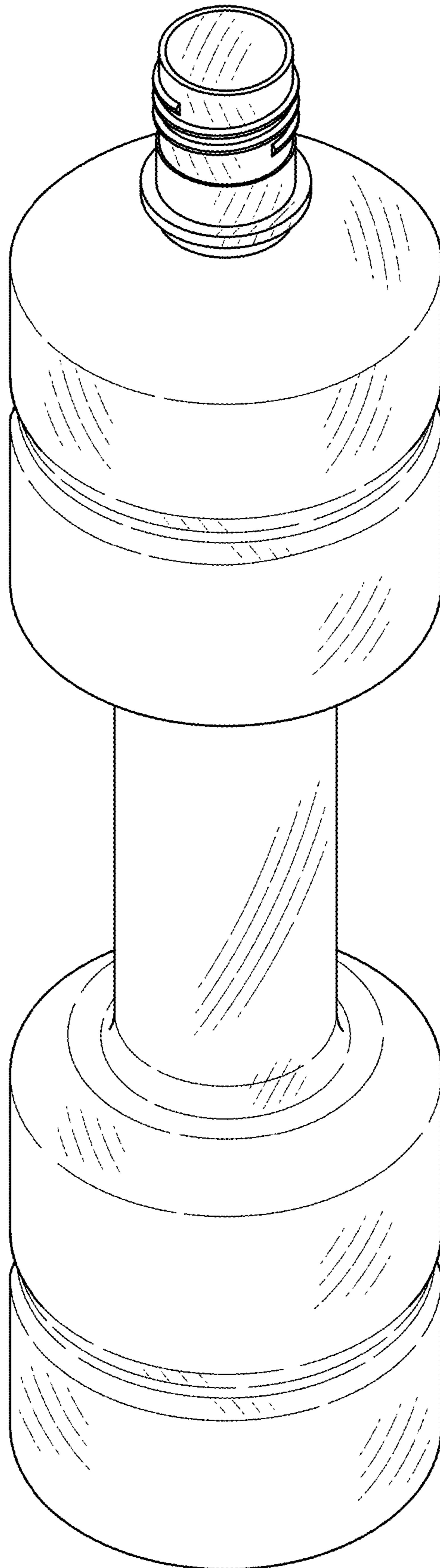


FIG. 1

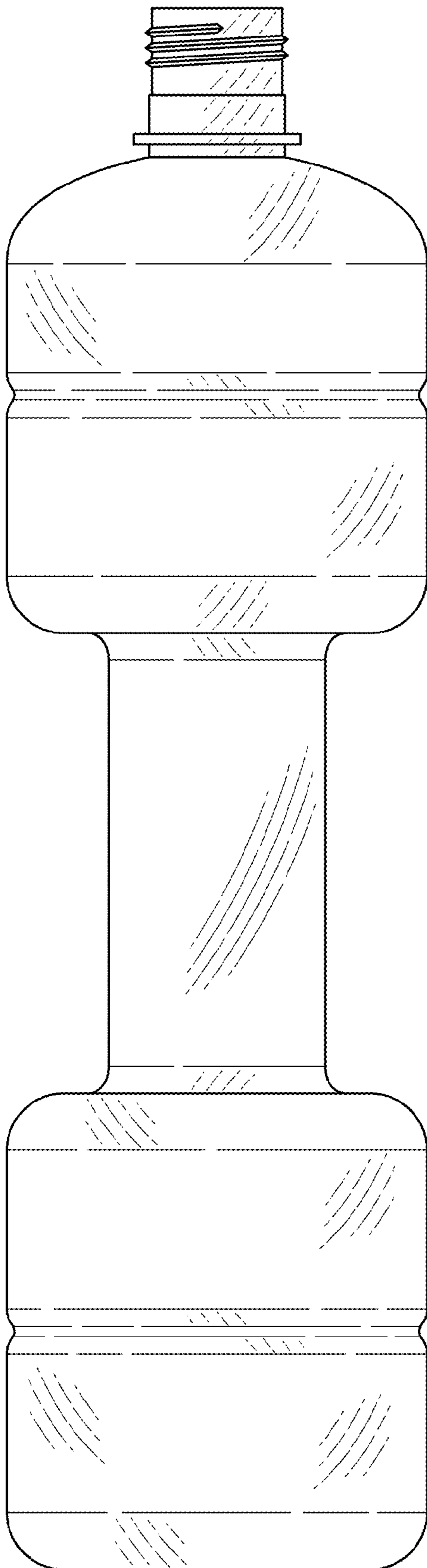


FIG. 2

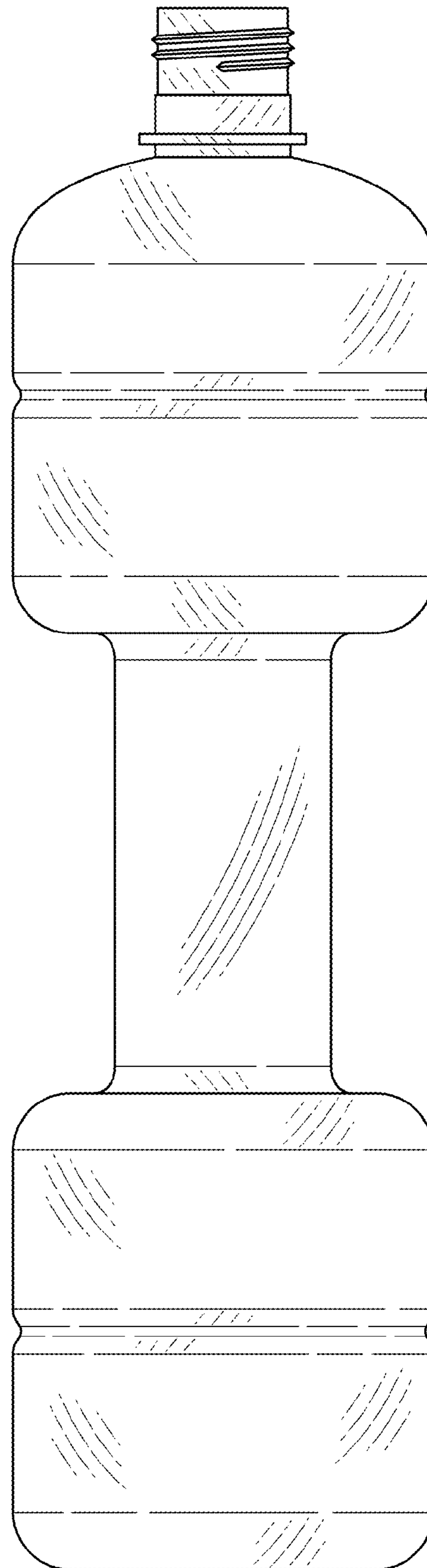


FIG. 3

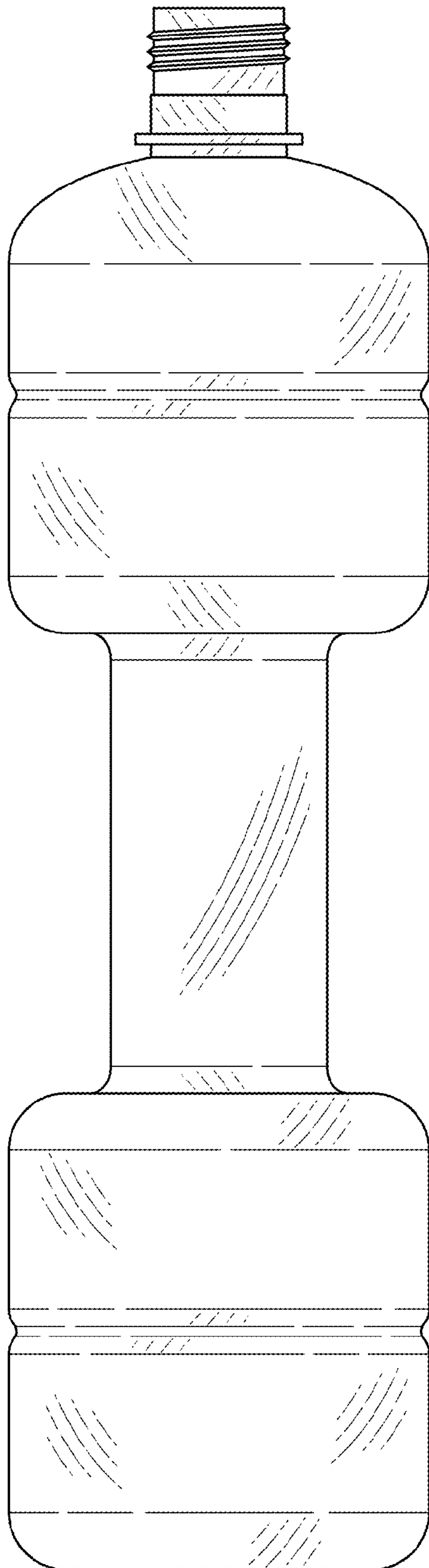


FIG. 4

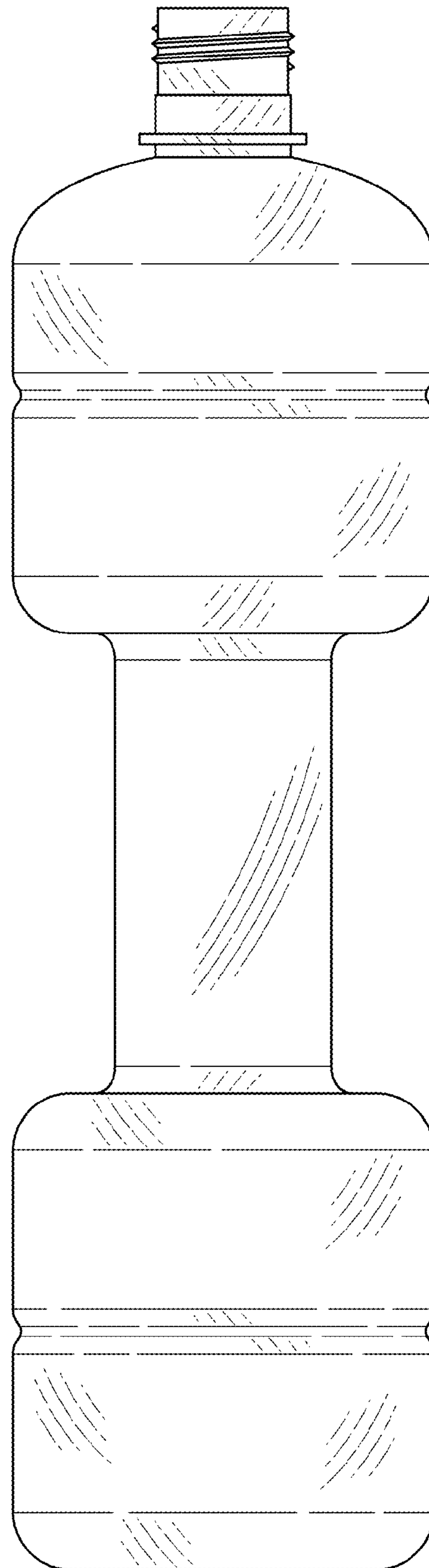


FIG. 5

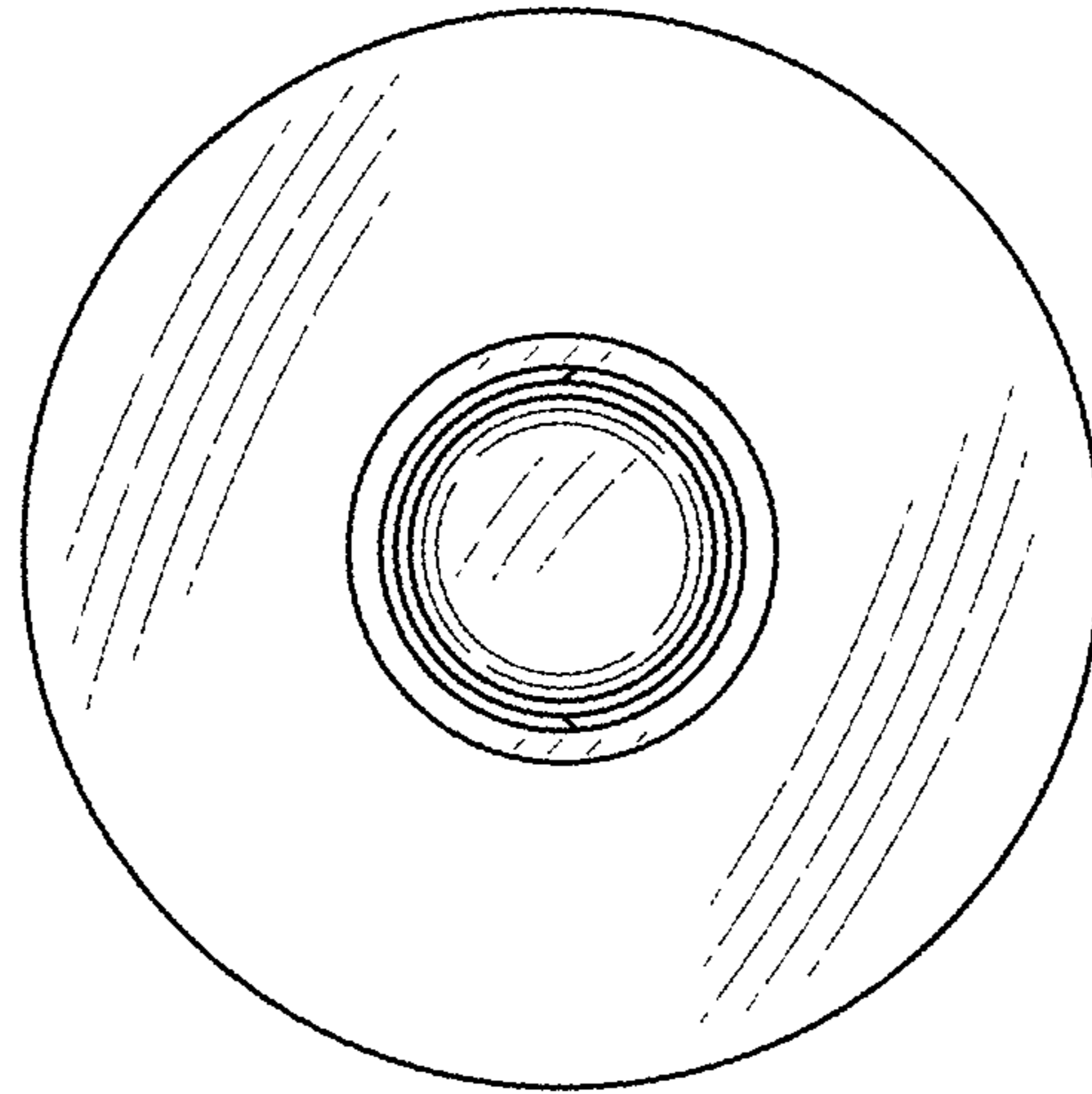


FIG. 6

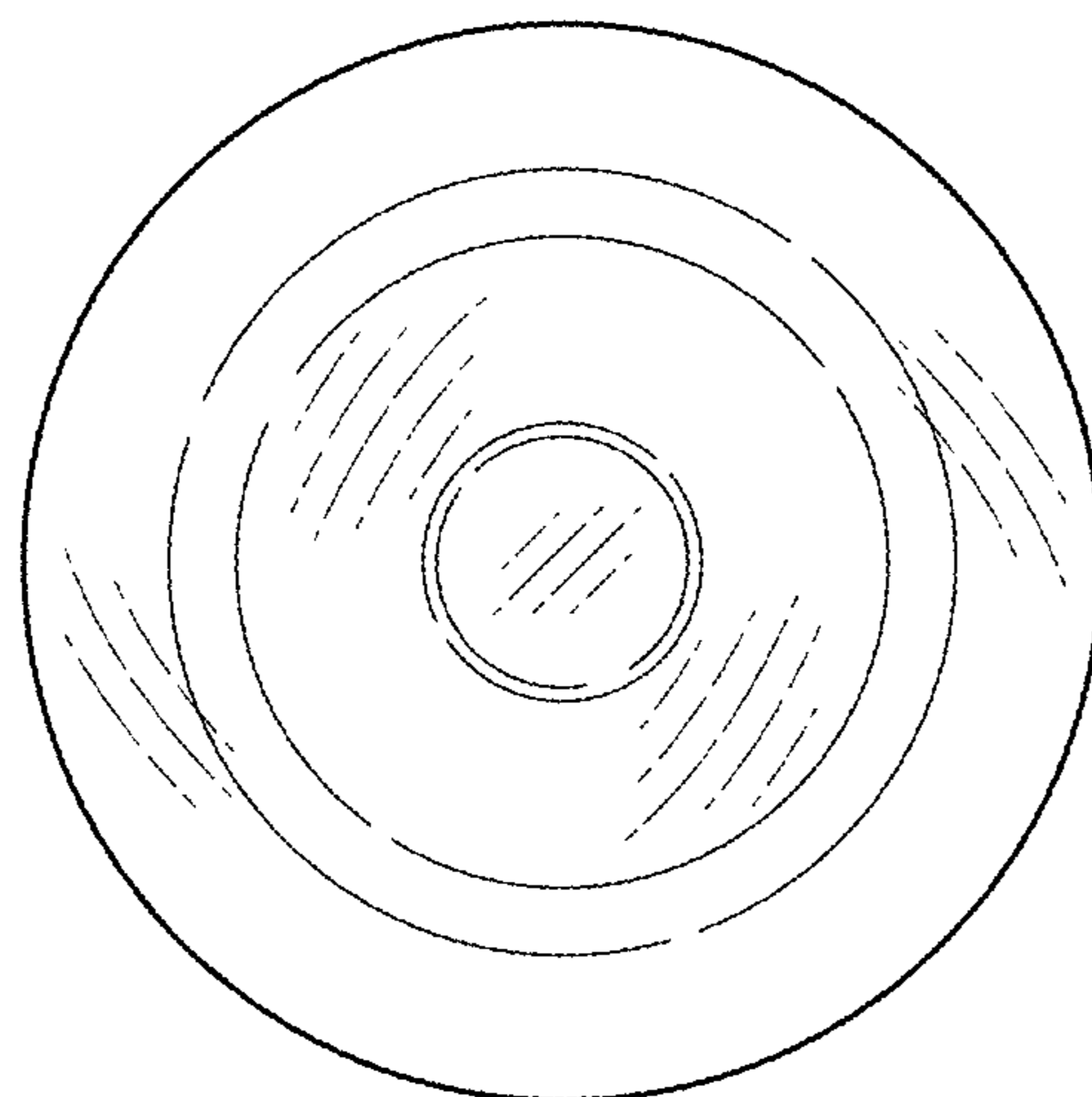


FIG. 7

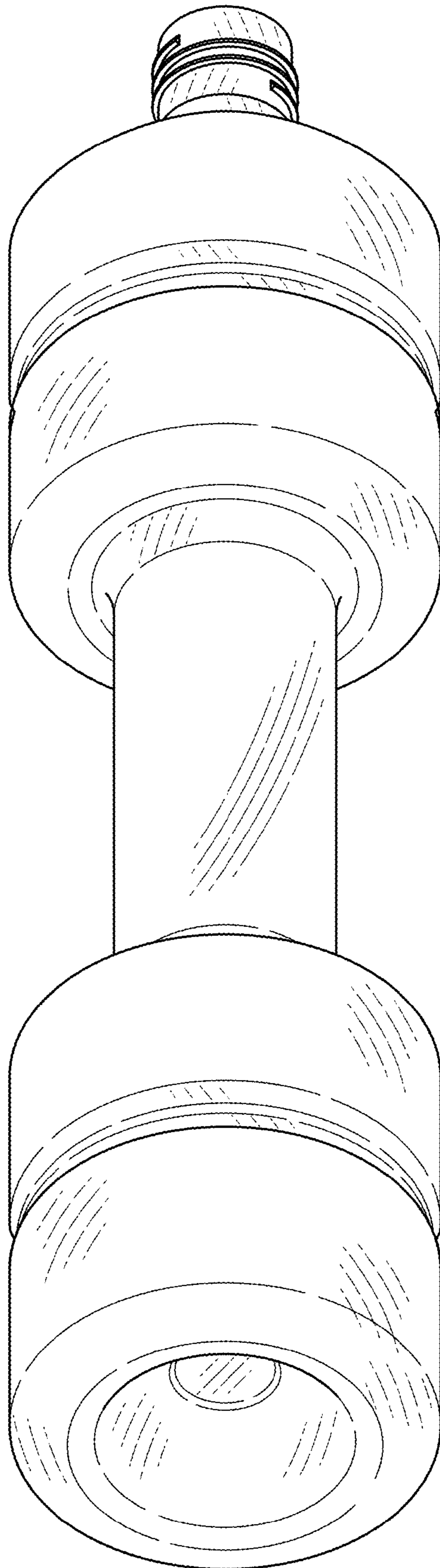


FIG. 8