



US00D914507S

(12) **United States Design Patent** (10) **Patent No.:** **US D914,507 S**  
**Koekkoek et al.** (45) **Date of Patent:** **\*\* Mar. 30, 2021**

(54) **BOTTLE**

(71) Applicant: **Conopco, Inc.**, Englewood Cliffs, NJ (US)

(72) Inventors: **Marco Koekkoek**, Rijswijk (NL); **Dale Mark Nicholls**, High Wycombe (GB); **James Garfield Pryor**, High Wycombe (GB)

(73) Assignee: **Conopco, Inc.**, Englewood Cliffs, NJ (US)

(\*\*) Term: **15 Years**

(21) Appl. No.: **29/682,127**

(22) Filed: **Mar. 1, 2019**

(30) **Foreign Application Priority Data**

Sep. 11, 2018 (EM) ..... 005636057

(51) **LOC (13) Cl.** ..... **09-01**

(52) **U.S. Cl.**  
USPC ..... **D9/550; D9/542**

(58) **Field of Classification Search**  
USPC ..... D9/454, 501, 504, 519, 521, 523, 529, D9/542, 549, 550, 551, 558, 564, 574, D9/575, 522; D7/330.1, 665, 679; D6/515, 542; D3/202, 203.1, 203.2, 302; D19/93, 86; D28/4, 8, 76, 91, 78, 79, 82; D1/102, 105; D26/7  
CPC ..... A45D 40/0068; A45D 40/00; A45D 2040/0012; A45D 40/12; A45D 40/16; B65D 1/0223; B65D 2501/0081; B65D 79/005; B29C 66/71; A61J 1/03; Y10S 220/34; Y10S 206/80  
See application file for complete search history.

(56) **References Cited**

**U.S. PATENT DOCUMENTS**

D310,631 S \* 9/1990 Davis ..... D9/563  
D584,635 S \* 1/2009 Montgomery ..... D9/571

D645,356 S 9/2011 Wheaton et al.  
D647,403 S \* 10/2011 McMahon ..... D9/516  
D653,116 S \* 1/2012 McMahon ..... D9/542  
D660,709 S \* 5/2012 McMahon ..... D9/516  
D661,589 S \* 6/2012 McMahon ..... D9/516  
D672,248 S \* 12/2012 Nukuto ..... D9/542  
D672,249 S \* 12/2012 Nukuto ..... D9/542  
D690,601 S \* 10/2013 Bryant ..... D9/542  
D690,602 S \* 10/2013 Bryant ..... D9/542  
D697,415 S \* 1/2014 Bryant ..... D9/542

(Continued)

**FOREIGN PATENT DOCUMENTS**

EM 001291298-0003 8/2011  
EP 002710905-0001 6/2015  
JP 1439576 S 5/2012

**OTHER PUBLICATIONS**

Gonçaves, Mendes, Bottle image, available at least as early as Sep. 10, 2018.

*Primary Examiner* — Michael C Stout  
*Assistant Examiner* — Rani J Abdallah  
(74) *Attorney, Agent, or Firm* — Foley & Lardner LLP

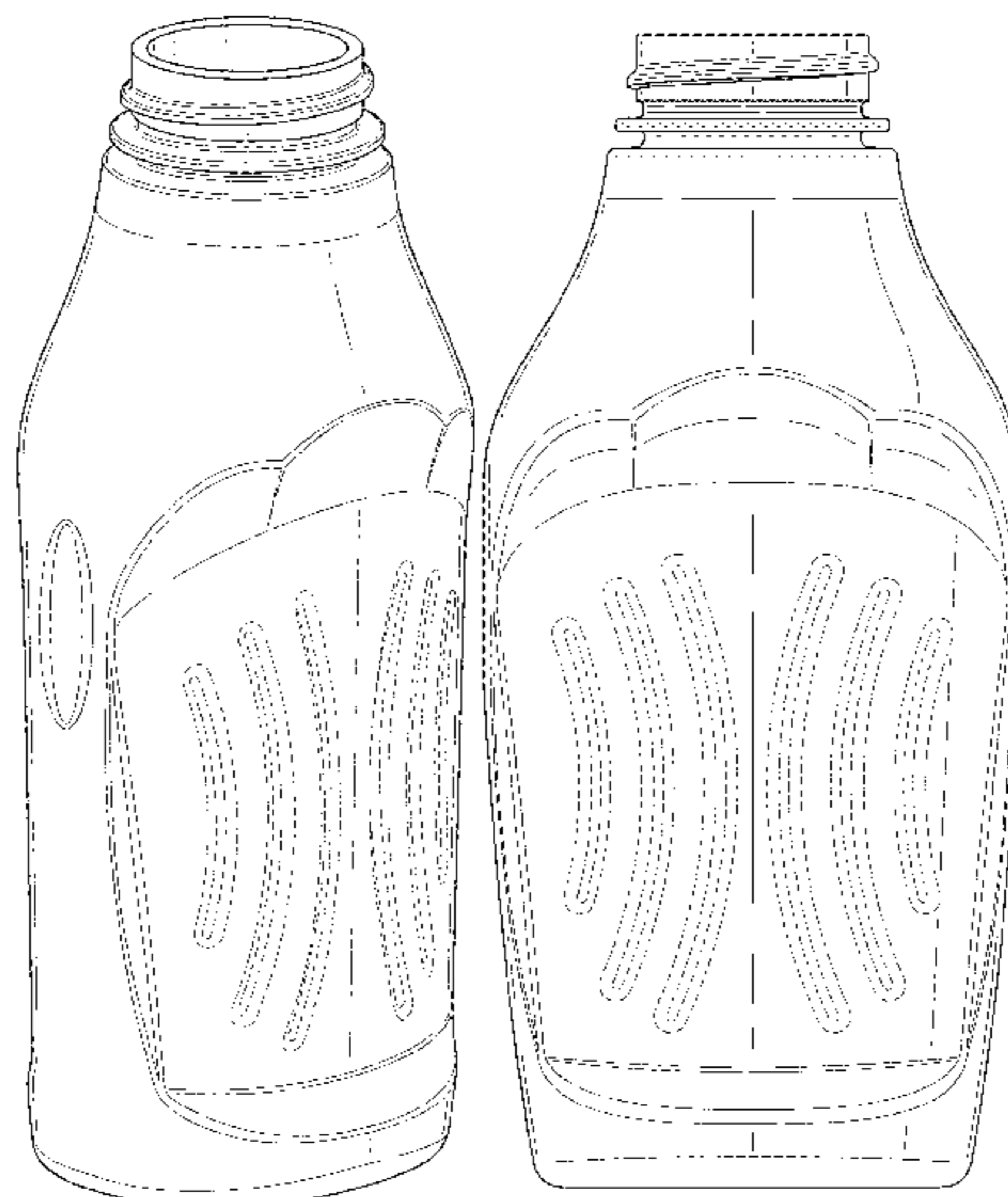
(57) **CLAIM**

We claim the ornamental design for a bottle, as shown and described.

**DESCRIPTION**

FIG. 1 is a top perspective view of the claimed design;  
FIG. 2 is a front view thereof;  
FIG. 3 is a rear view thereof;  
FIG. 4 is a left side view thereof;  
FIG. 5 is a right side view thereof;  
FIG. 6 is a top view thereof; and,  
FIG. 7 is a bottom view thereof.  
Any portion of the article depicted in broken lines forms no part of the claimed design.

**1 Claim, 5 Drawing Sheets**



(56)

**References Cited**

U.S. PATENT DOCUMENTS

D704,067	S	5/2014	Scott et al.	
D729,631	S *	5/2015	Kuzma .....	D9/542
D740,125	S	10/2015	Kuzma et al.	
D740,677	S	10/2015	Kuzma et al.	
D743,800	S *	11/2015	Whisler .....	D9/542
D744,348	S *	12/2015	Beauchamp .....	D9/542
D752,986	S	4/2016	Bos et al.	
D758,873	S	6/2016	Appendini et al.	
D759,491	S	6/2016	Mazur et al.	
D776,542	S	1/2017	Dominick et al.	
D782,911	S	4/2017	Dominick et al.	
D787,944	S	5/2017	Bos	
D788,590	S	6/2017	Bos	
D798,155	S	9/2017	Dominick et al.	
D798,723	S	10/2017	Nguyen et al.	
D807,186	S *	1/2018	Beauchamp .....	D9/542
D808,275	S	1/2018	Maier et al.	
D810,576	S *	2/2018	Hawry .....	D9/542
D812,482	S	3/2018	Young	
D814,935	S	4/2018	Ungrady	
D820,096	S *	6/2018	Palm .....	D9/542
D820,097	S *	6/2018	Palm .....	D9/542
D825,340	S *	8/2018	Halloran .....	D9/542
D828,172	S	9/2018	Bos et al.	
D864,723	S *	10/2019	Banerjee .....	D9/542
2015/0203237	A1 *	7/2015	Bryant .....	B65D 1/0223 215/381

\* cited by examiner

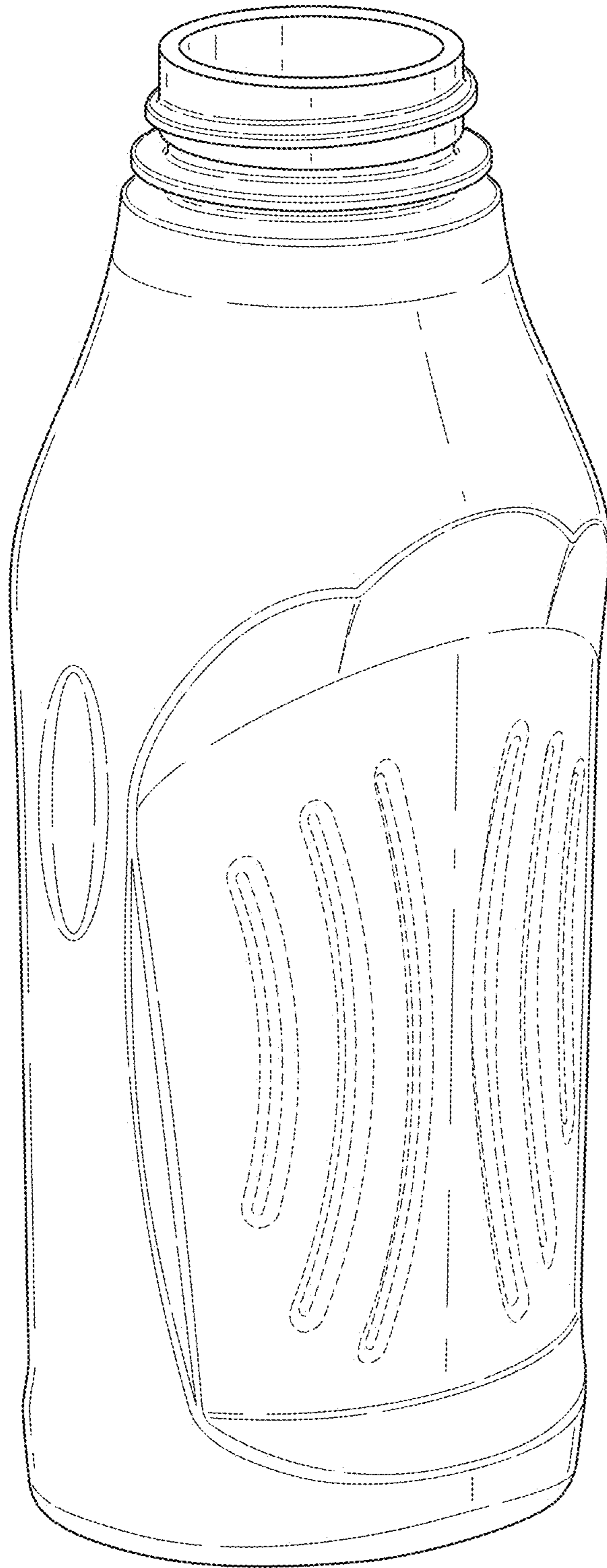


Fig. 1

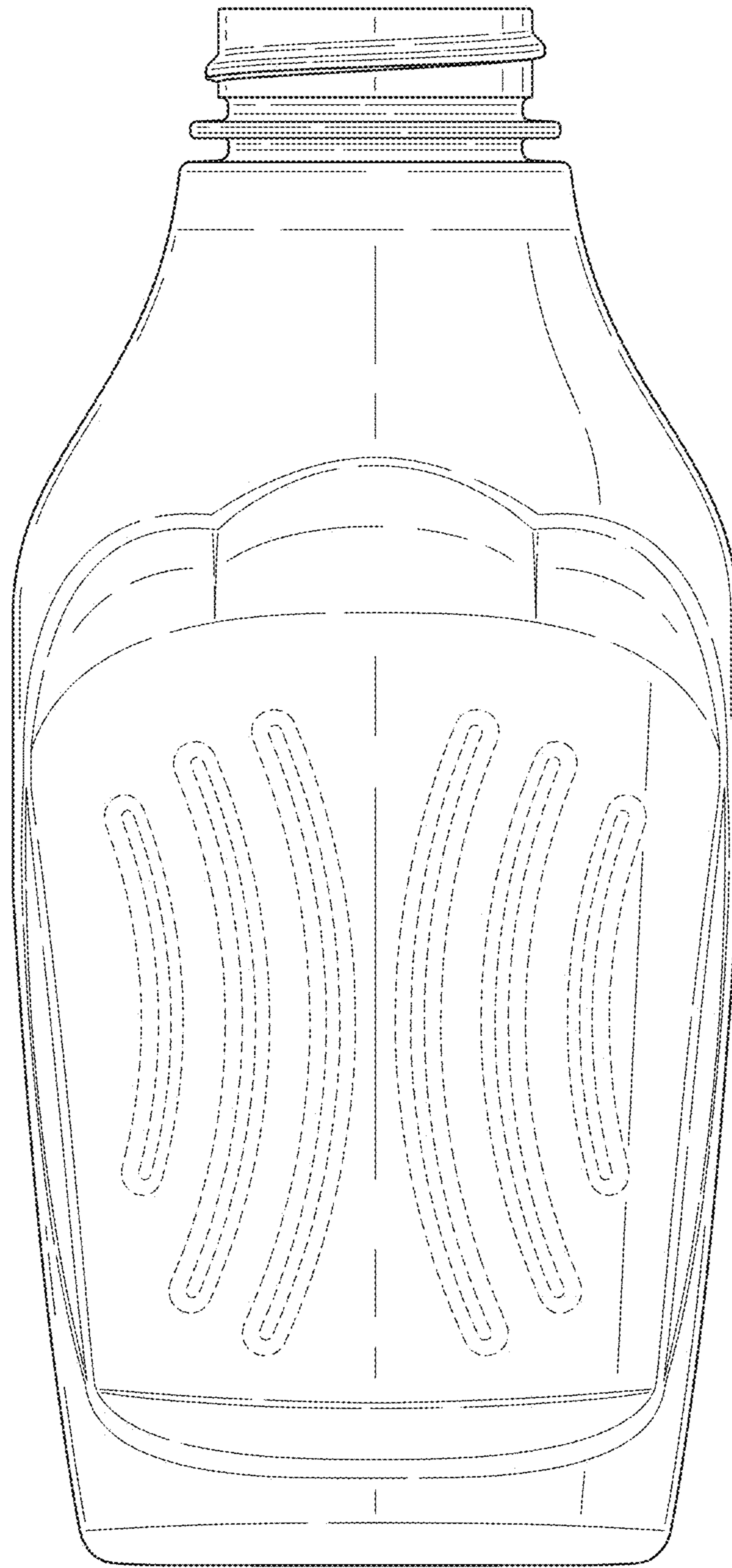


Fig. 2

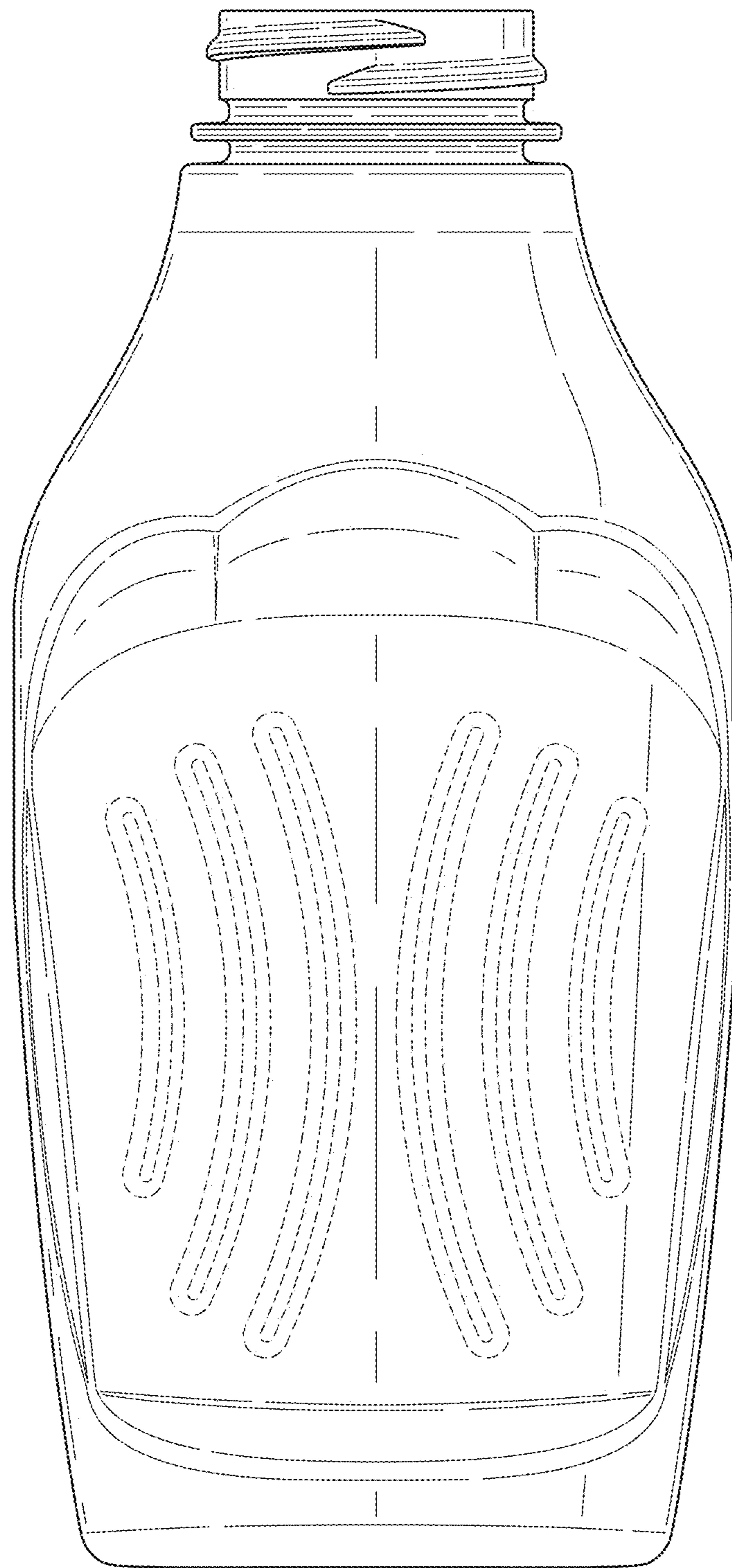


Fig. 3

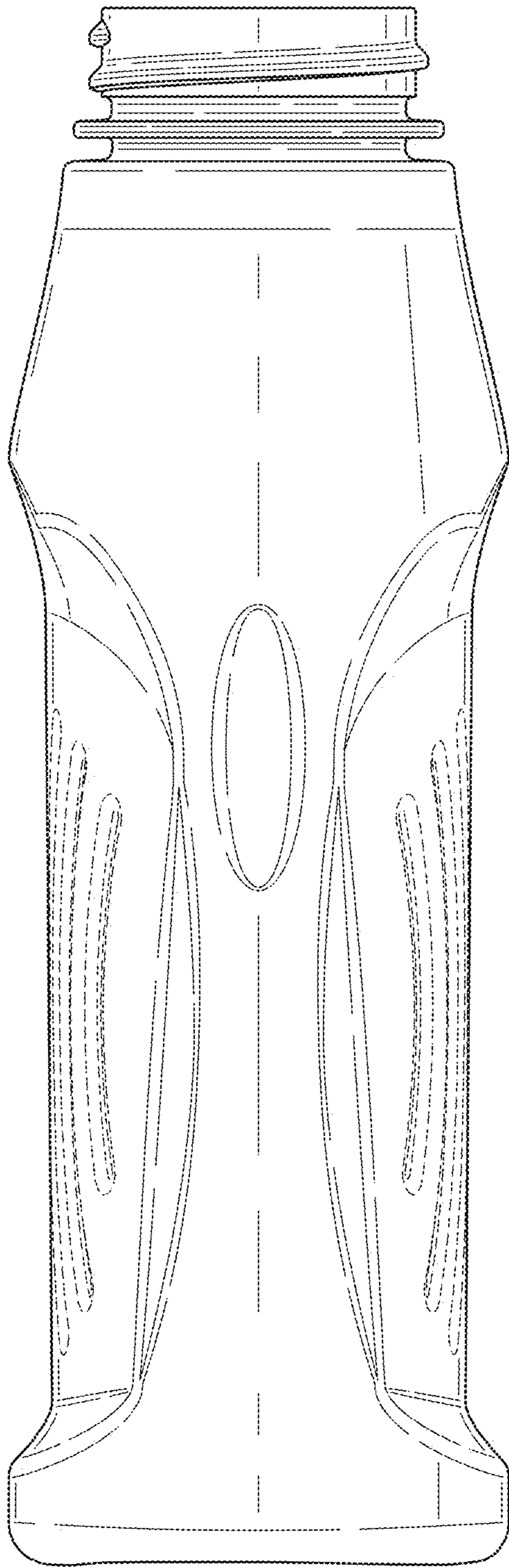


Fig. 4

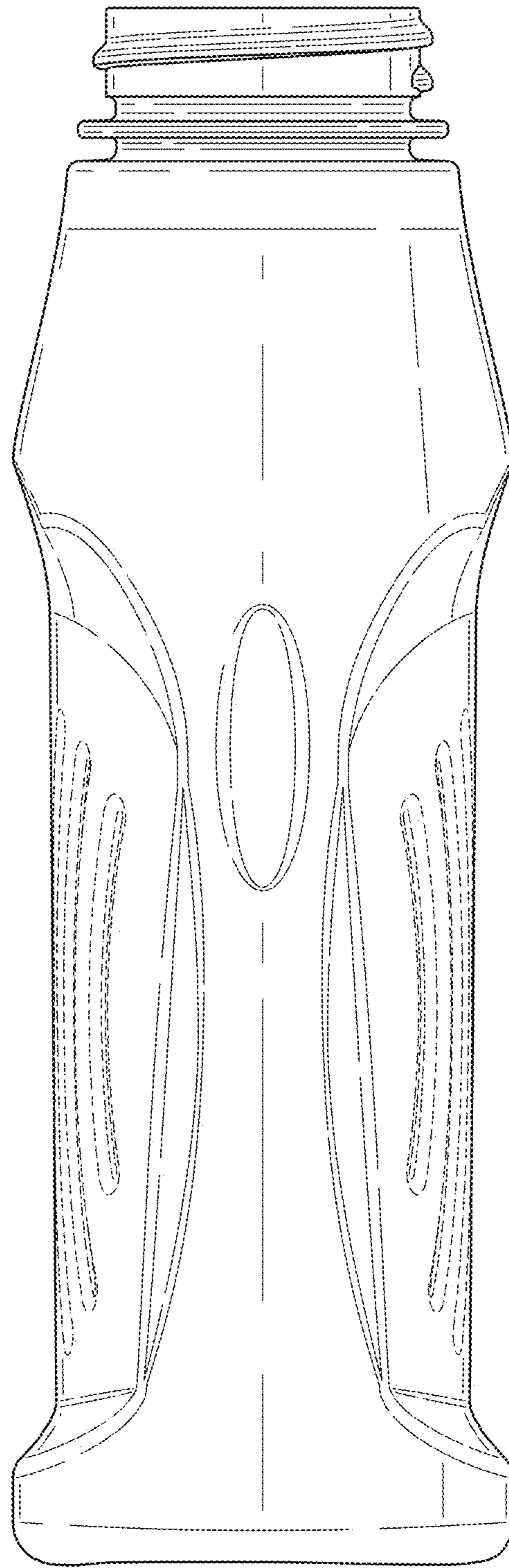


Fig. 5

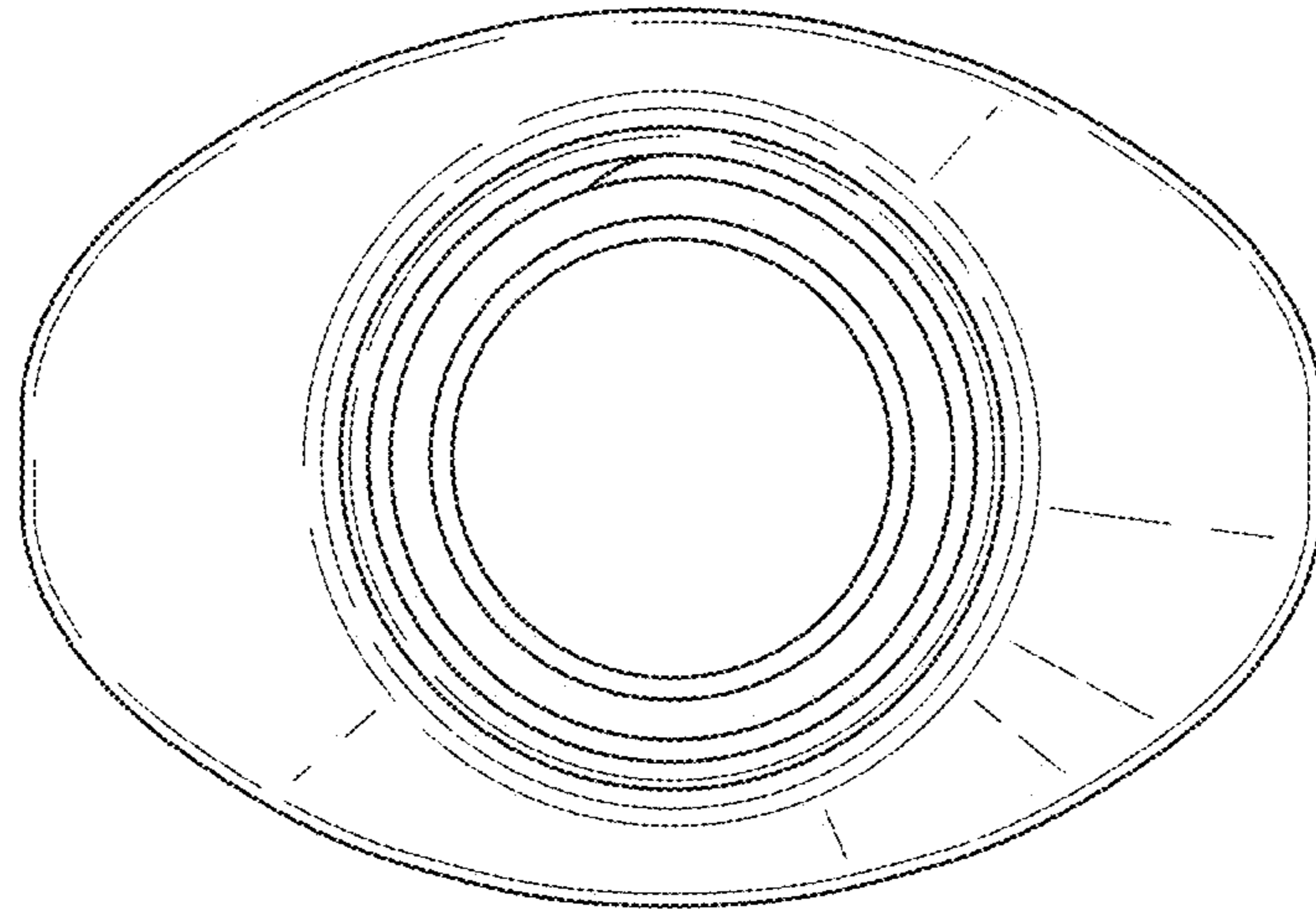


Fig. 6

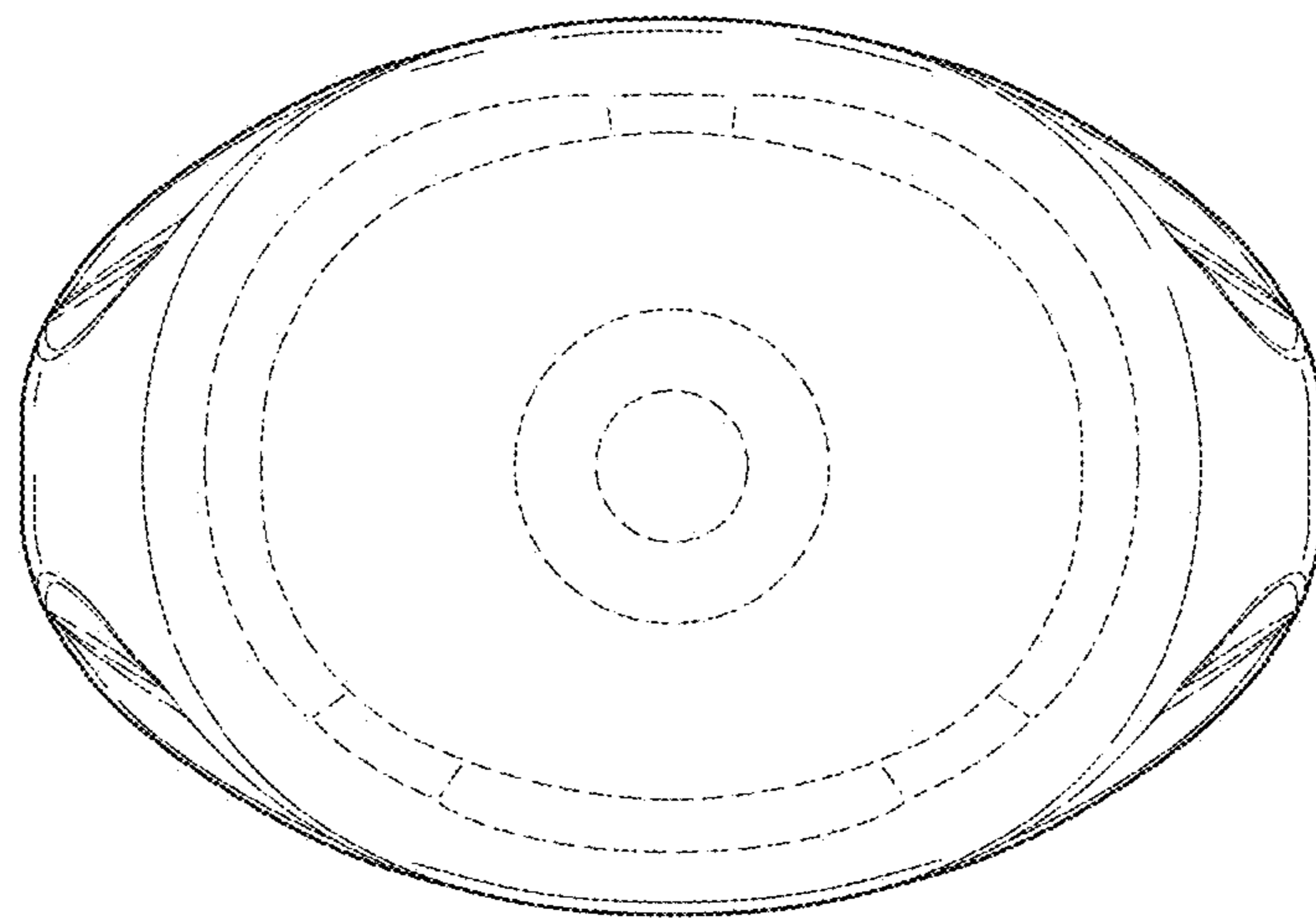


Fig. 7