



US00D914503S

(12) **United States Design Patent** (10) **Patent No.:** **US D914,503 S**  
**Aboabdo** (45) **Date of Patent:** **\*\* Mar. 30, 2021**

(54) **DISPENSER**

(71) Applicant: **Chubby Gorilla, Inc.**, Fullerton, CA (US)

(72) Inventor: **Ibrahiem H. Aboabdo**, Yorba Linda, CA (US)

(73) Assignee: **Chubby Gorilla, Inc.**, Fullerton, CA (US)

(\*\*) Term: **15 Years**

(21) Appl. No.: **29/746,603**

(22) Filed: **Aug. 14, 2020**

**Related U.S. Application Data**

(60) Division of application No. 29/716,198, filed on Dec. 6, 2019, now Pat. No. Des. 893,300, which is a (Continued)

(51) **LOC (13) Cl.** ..... **09-01**

(52) **U.S. Cl.**  
USPC ..... **D9/503; D9/443; D9/452; D9/454; D9/723**

(58) **Field of Classification Search**

USPC ..... D9/434-435, 443, 452, 454, 500, D9/503-504, 516, 529, 549, 558, 682, D9/690-691, 715, 719, 723-724; D3/203.2; D24/224; D27/183, 186, D27/189-191; D28/76, 88 (Continued)

(56) **References Cited**

**U.S. PATENT DOCUMENTS**

2,968,826 A \* 1/1961 Leshin ..... A45D 34/041 401/214  
3,242,522 A \* 3/1966 Jass ..... A45D 34/041 401/213

(Continued)

*Primary Examiner* — Dana Meyrow

(74) *Attorney, Agent, or Firm* — Knobbe Martens Olson & Bear, LLP

(57) **CLAIM**

The ornamental design for a dispenser, as shown and described herein.

**DESCRIPTION**

FIG. 1 is a top perspective view of a first embodiment of a dispenser embodying the new design.

FIG. 2 is a bottom perspective view thereof.

FIG. 3 is a front view thereof.

FIG. 4 is a rear view thereof.

FIG. 5 is a first side view thereof.

FIG. 6 is a second side view thereof.

FIG. 7 is a top view thereof.

FIG. 8 is a bottom view thereof.

FIG. 9 is an exploded perspective view thereof.

FIG. 10 is an exploded front view thereof.

FIG. 11 is a top perspective view of a second embodiment of a dispenser embodying the new design.

FIG. 12 is a bottom perspective view thereof.

FIG. 13 is a front view thereof.

FIG. 14 is a rear view thereof.

FIG. 15 is a first side view thereof.

FIG. 16 is a second side view thereof.

FIG. 17 is a top view thereof.

FIG. 18 is a bottom view thereof.

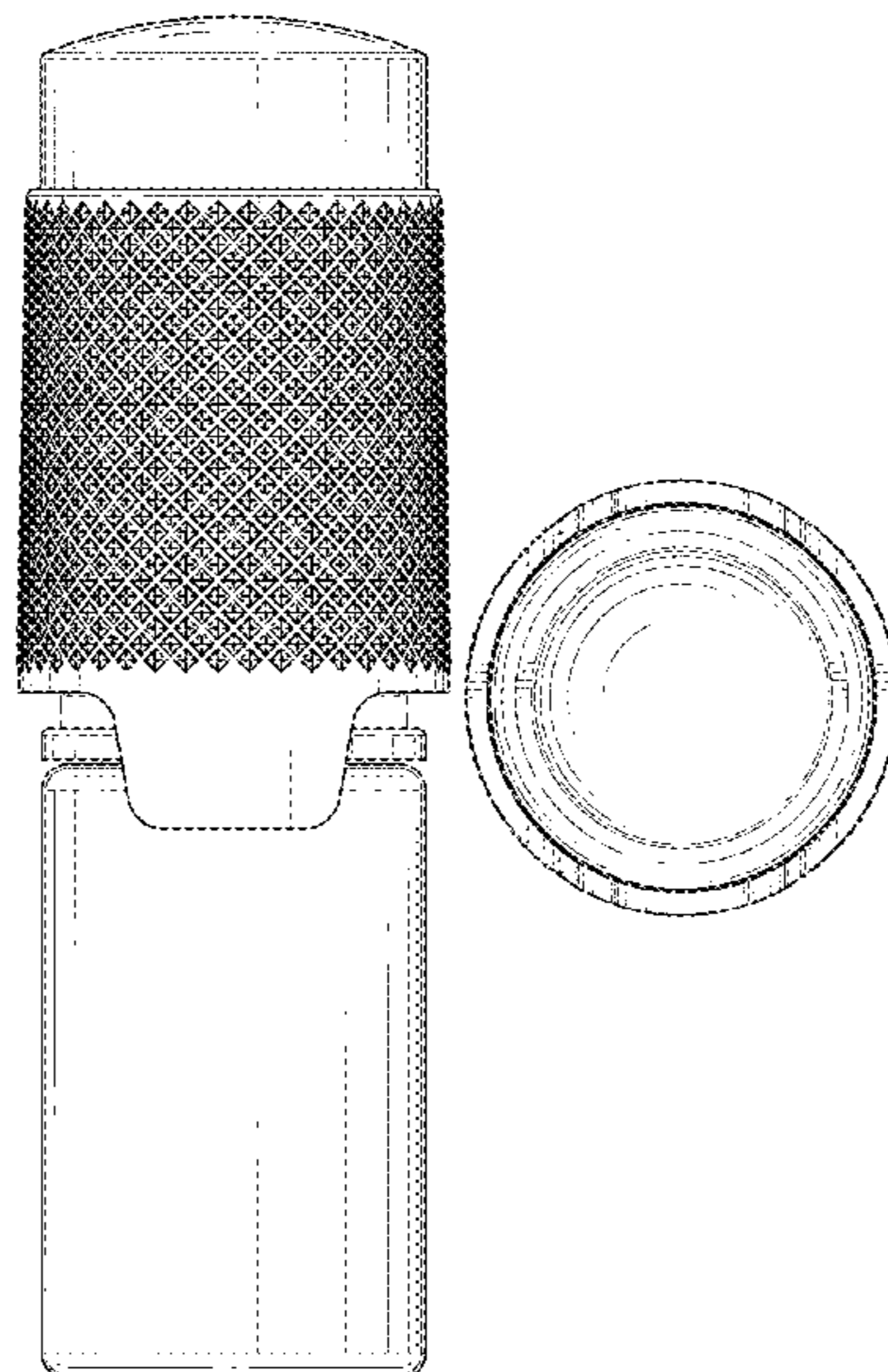
FIG. 19 is an exploded perspective view thereof; and,

FIG. 20 is an exploded front view thereof.

The second embodiment is shown with a symbolic break in its length, represented by break lines. The appearance of any portion of the article between the break lines forms no part of the claimed subject matter.

The broken lines in the drawings illustrate the portions of the bottle that form no part of the claimed design.

**1 Claim, 14 Drawing Sheets**



**Related U.S. Application Data**

continuation-in-part of application No. 29/715,985,  
filed on Dec. 5, 2019, now Pat. No. Des. 894,004.

(58) **Field of Classification Search**

CPC ..... B65D 1/00; B65D 1/02; B65D 1/0223;  
B65D 23/00; B65D 51/32; B65D  
2501/00; B65D 2501/0009

See application file for complete search history.

(56) **References Cited**

U.S. PATENT DOCUMENTS

D225,398	S	*	12/1972	David	.....	D24/224
4,221,495	A	*	9/1980	Braun	.....	A45D 34/041 401/213
D328,244	S	*	7/1992	Hamilton	.....	D24/110
D562,137	S	*	2/2008	Florio	.....	D28/89
D590,661	S	*	4/2009	Kitamura	.....	D7/510
D636,683	S	*	4/2011	Floyd	.....	D9/688
D779,325	S	*	2/2017	Vigoureux	.....	D9/443
D823,689	S	*	7/2018	Durand	.....	D9/503
D826,068	S	*	8/2018	Aboabdo	.....	D9/724
D827,450	S	*	9/2018	Loukov	.....	D9/726
D850,913	S	*	6/2019	Ke	.....	D9/452
D850,930	S	*	6/2019	Wang	.....	D9/724
D854,929	S	*	7/2019	Bacher	.....	B65D 43/0231 D9/436
D878,215	S	*	3/2020	Aboabdo	.....	D9/723
D892,623	S	*	8/2020	Aboabdo	.....	D9/503
D893,300	S	*	8/2020	Aboabdo	.....	D9/503
D894,004	S	*	8/2020	Aboabdo	.....	D9/503

\* cited by examiner

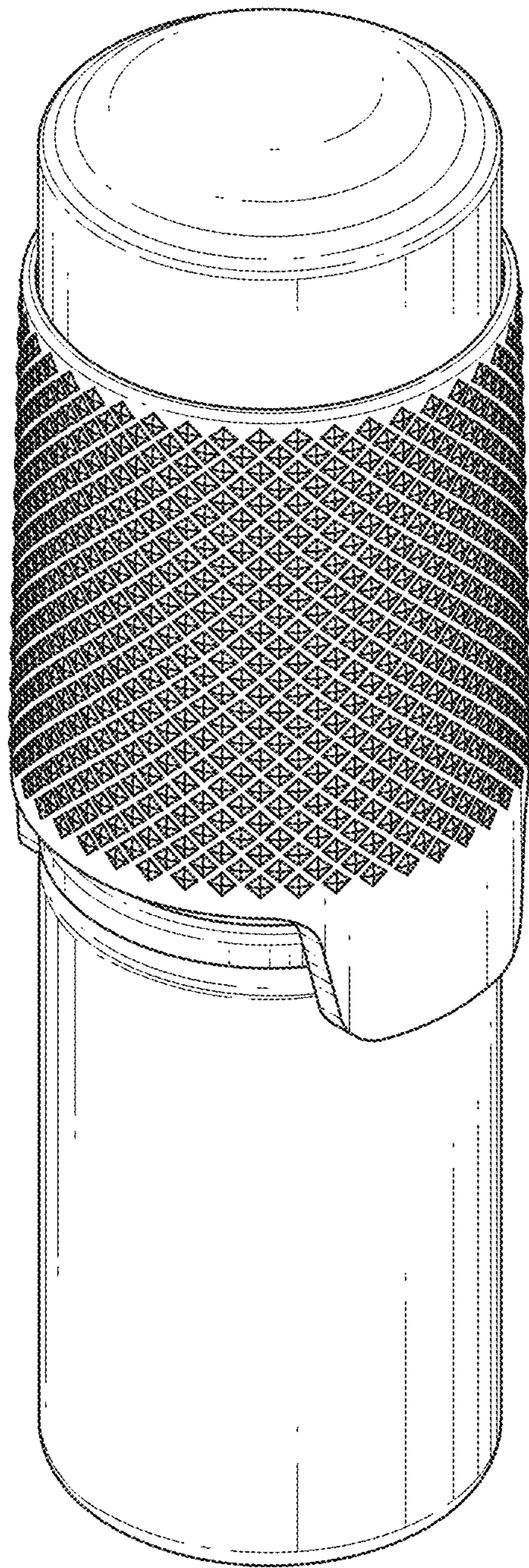


FIG. 1

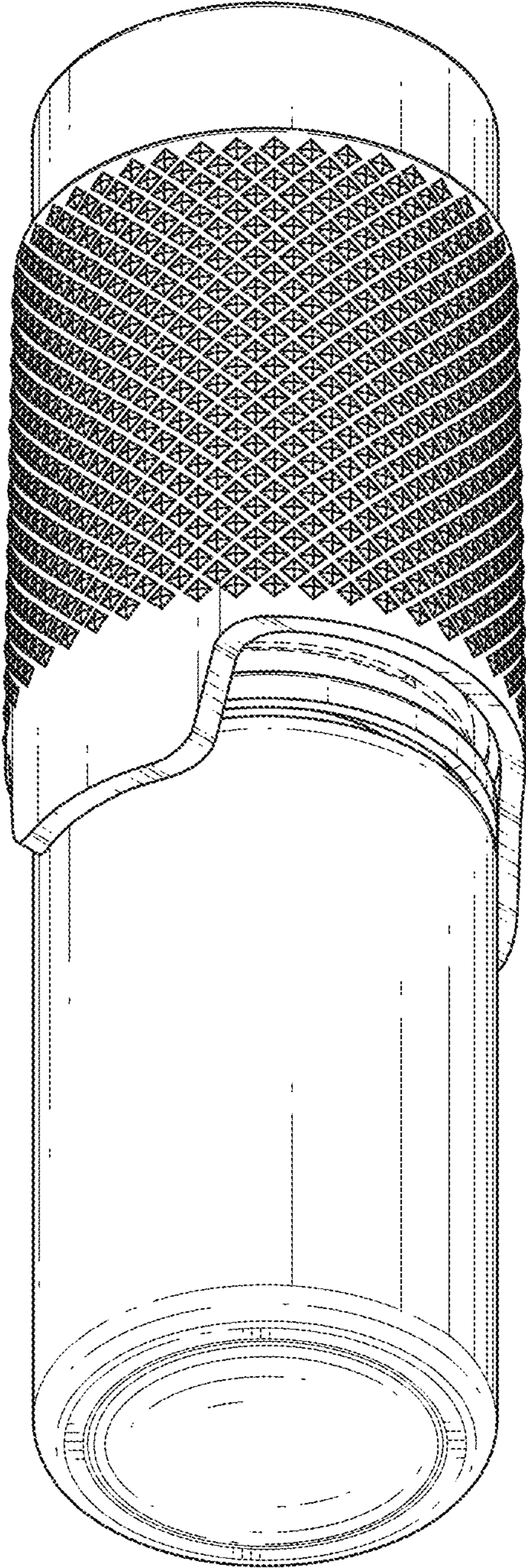


FIG. 2

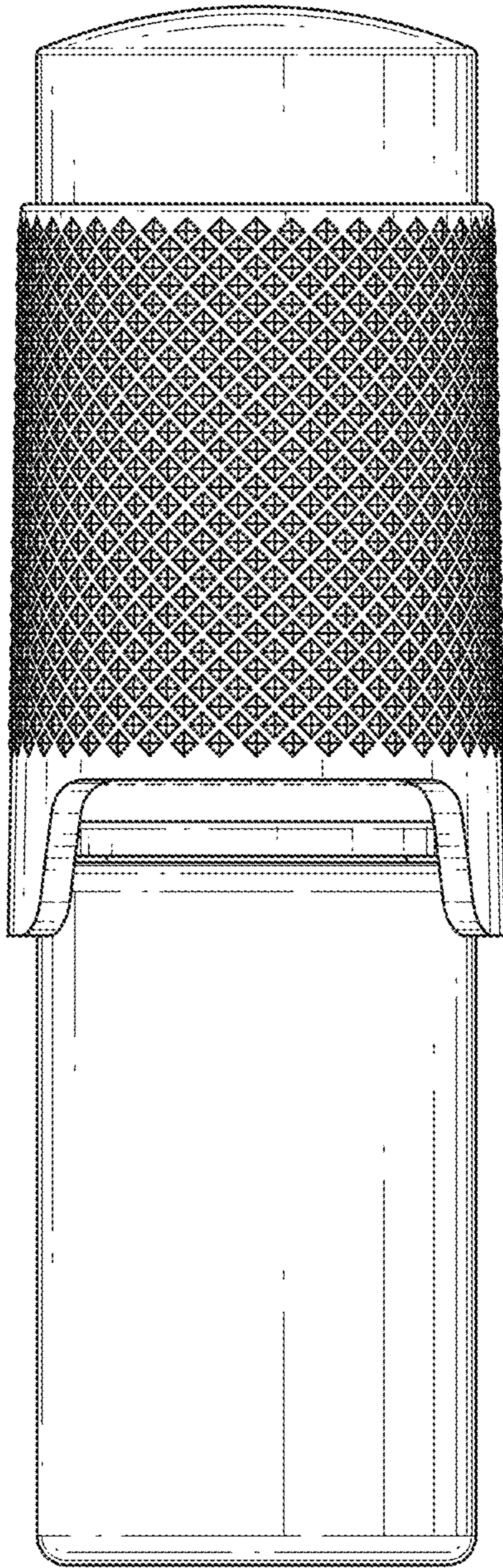


FIG. 3

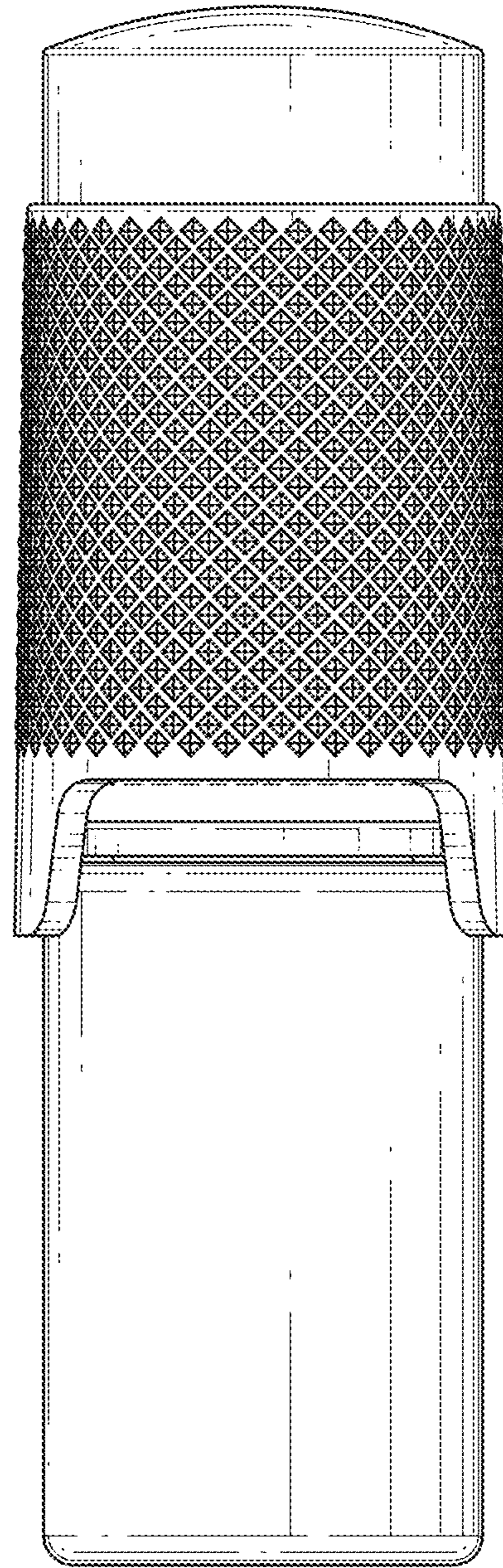


FIG. 4

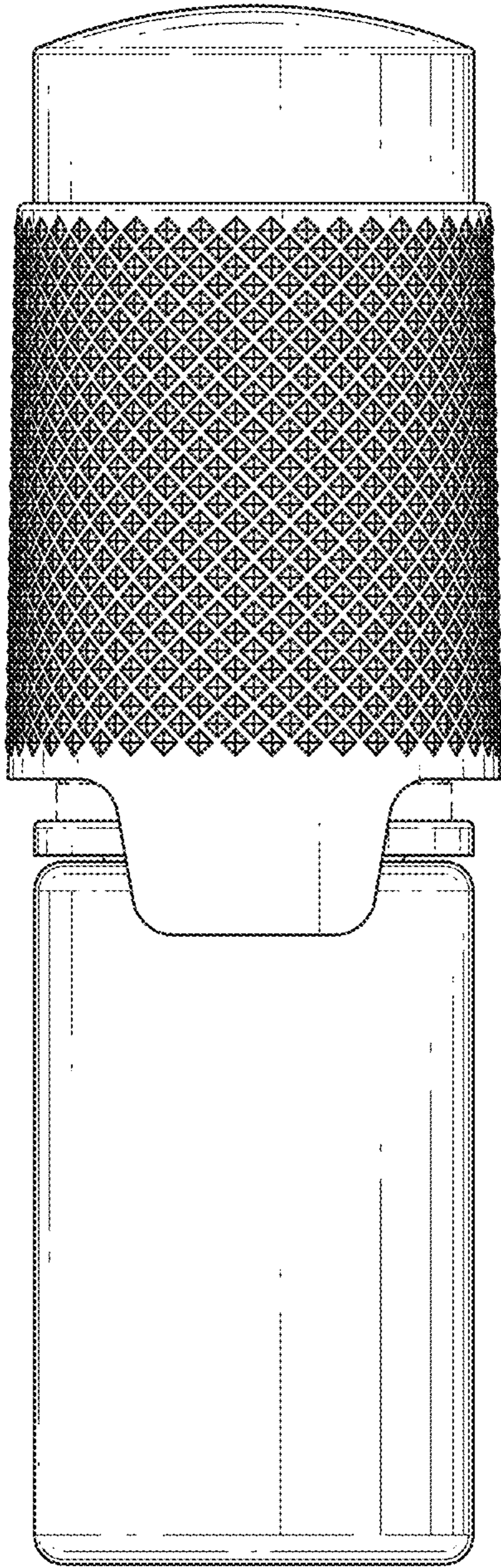


FIG. 5

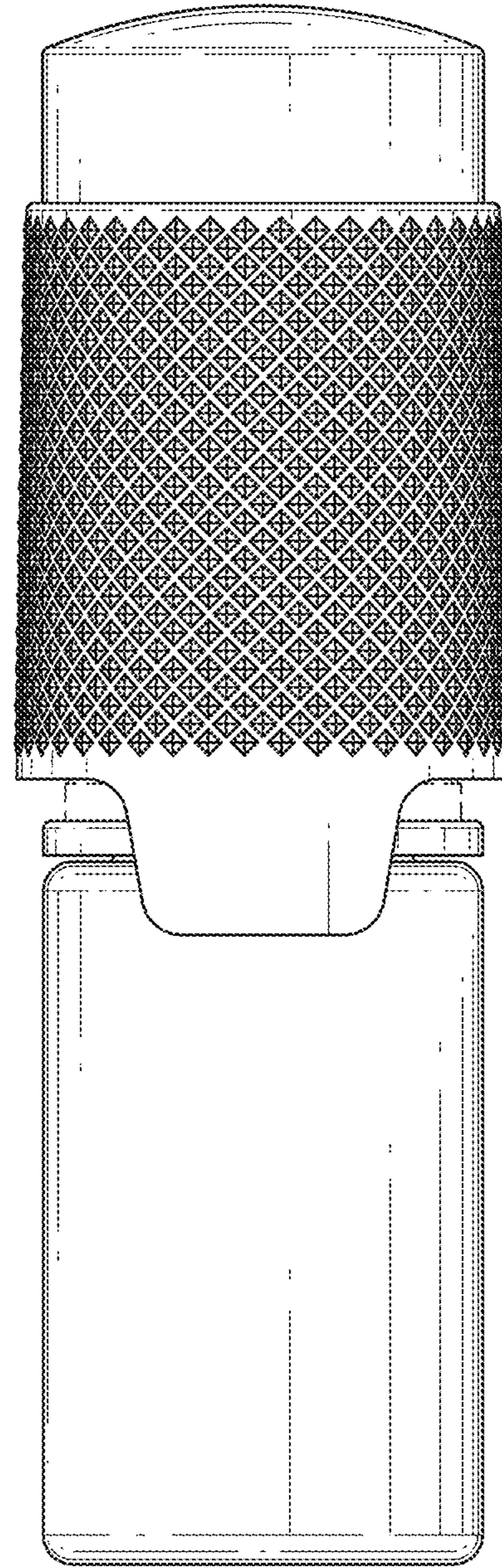


FIG. 6

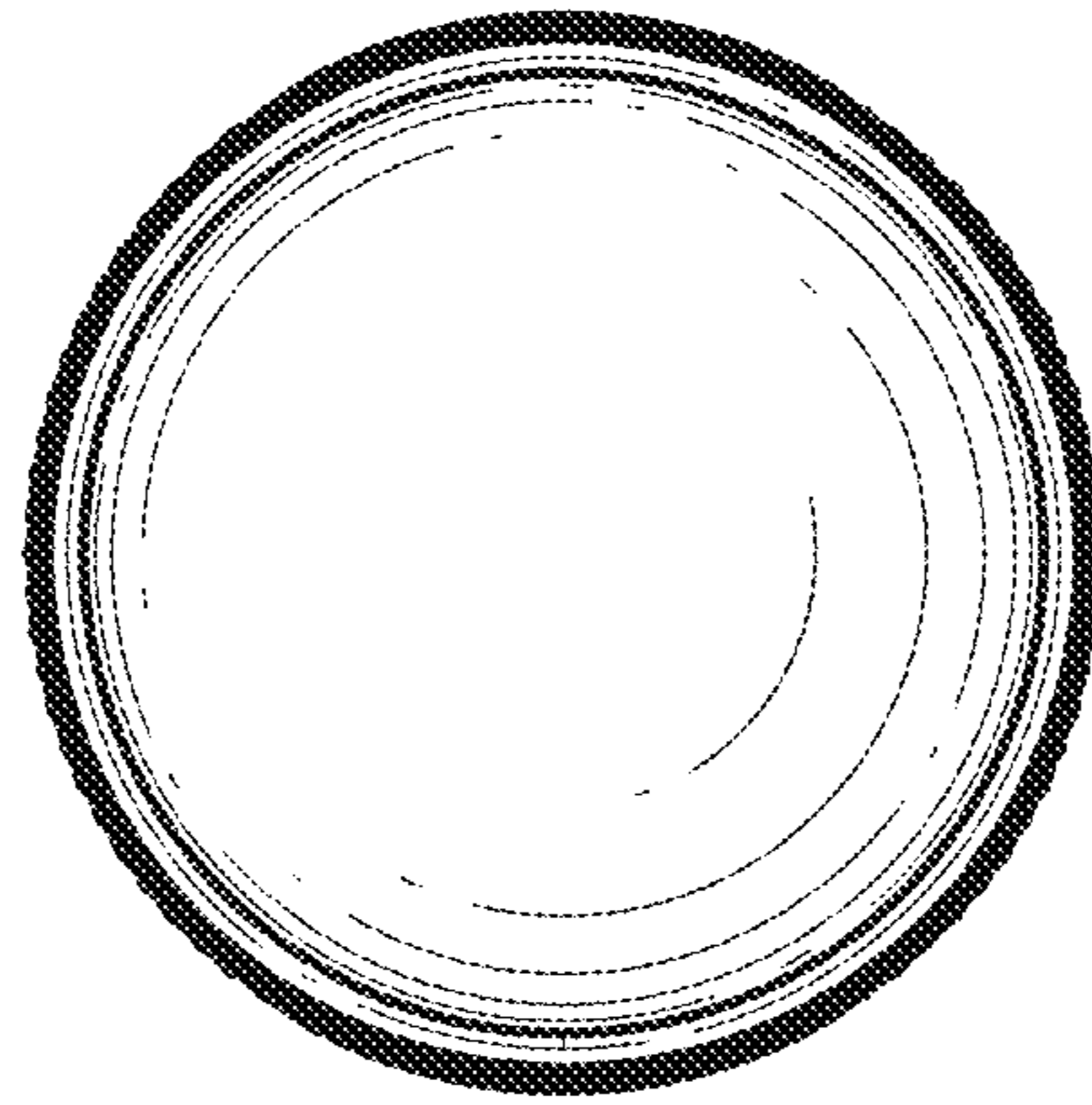


FIG. 7

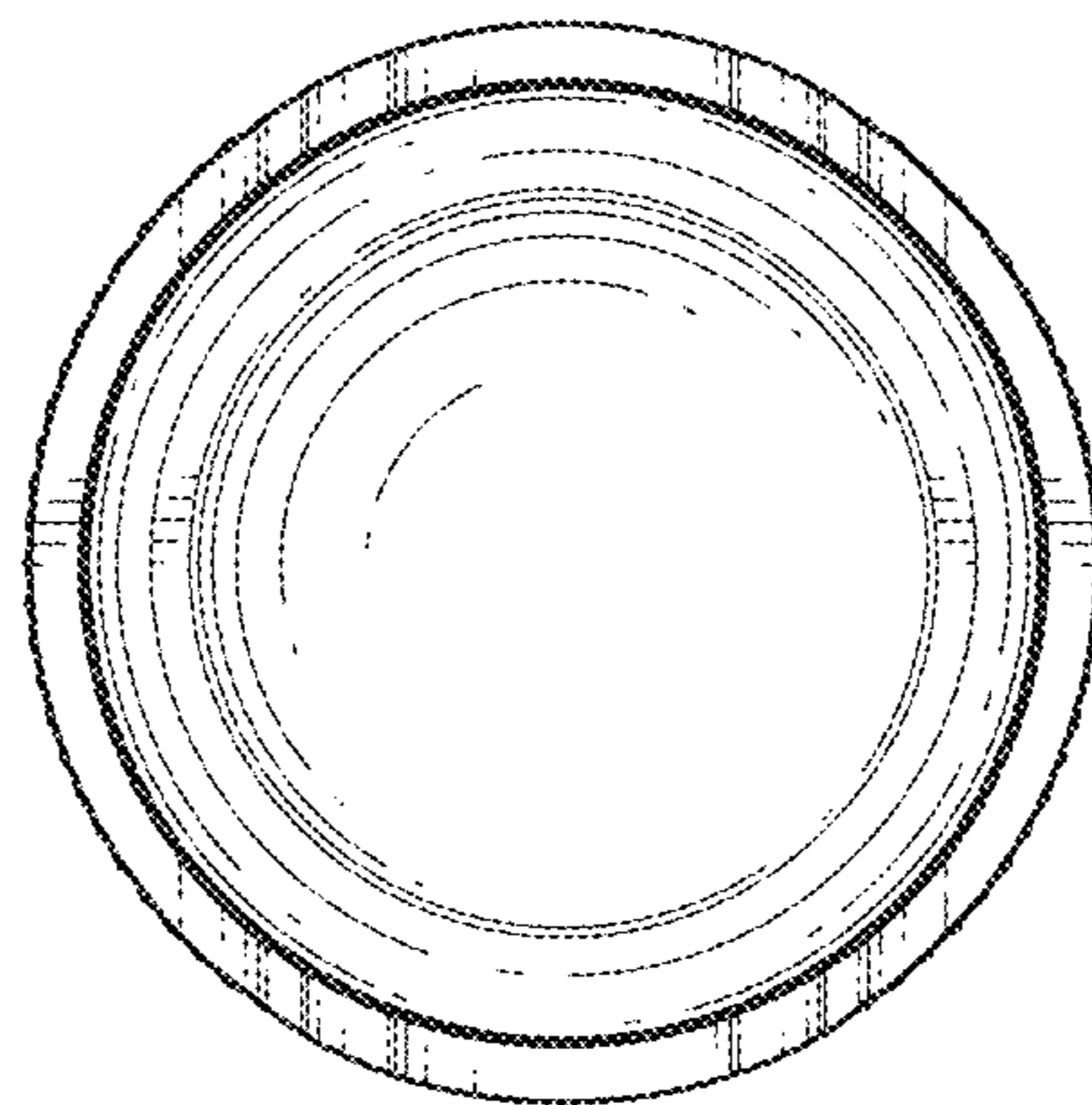


FIG. 8

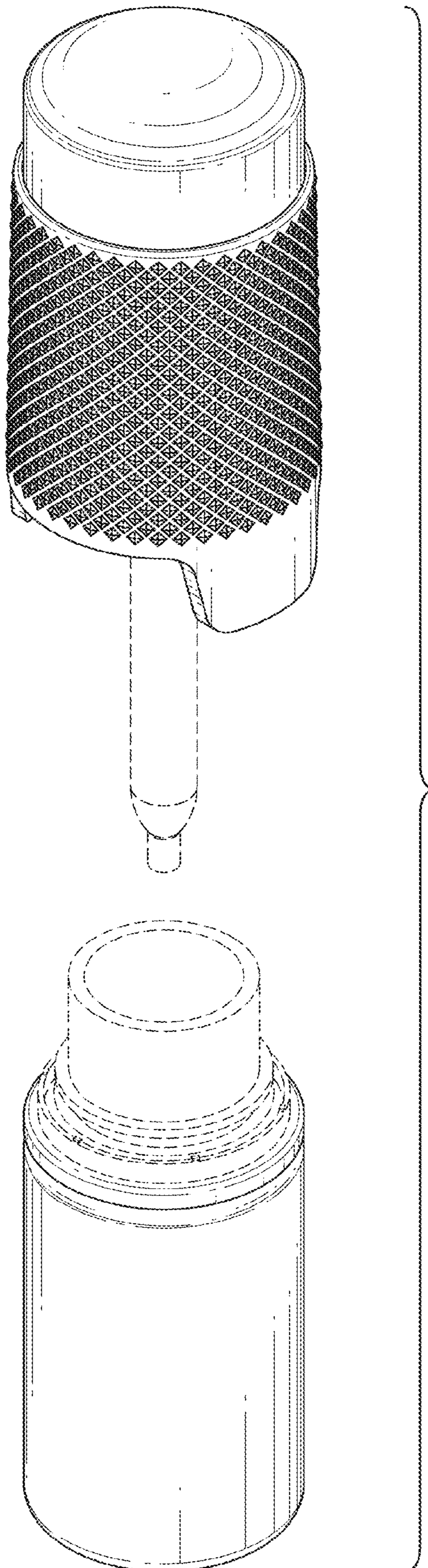


FIG. 9



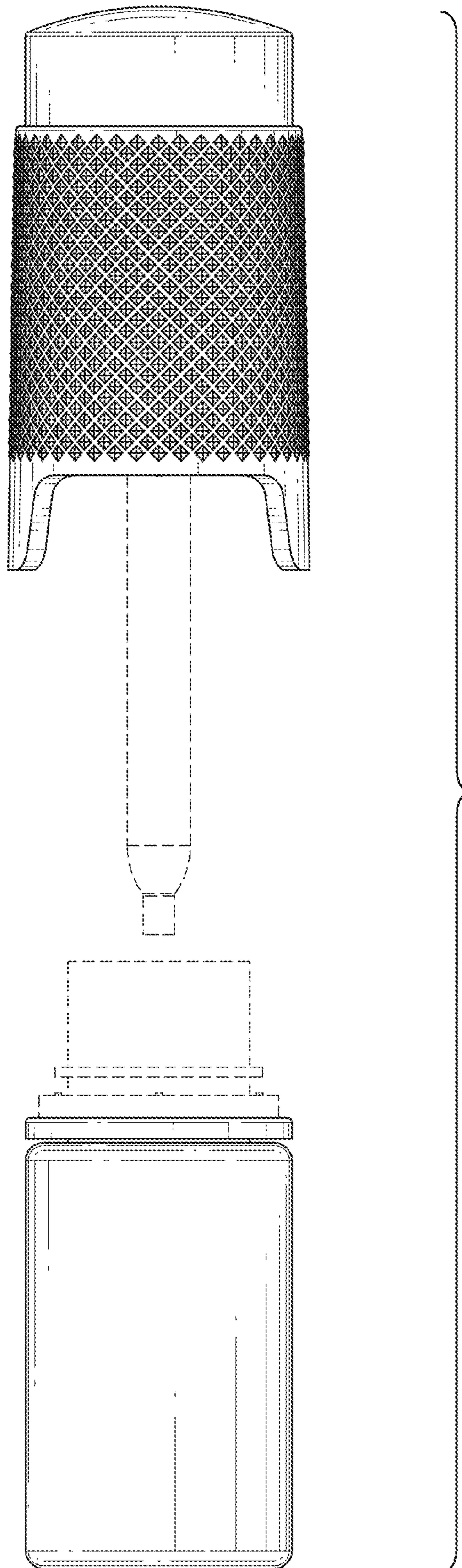


FIG. 10

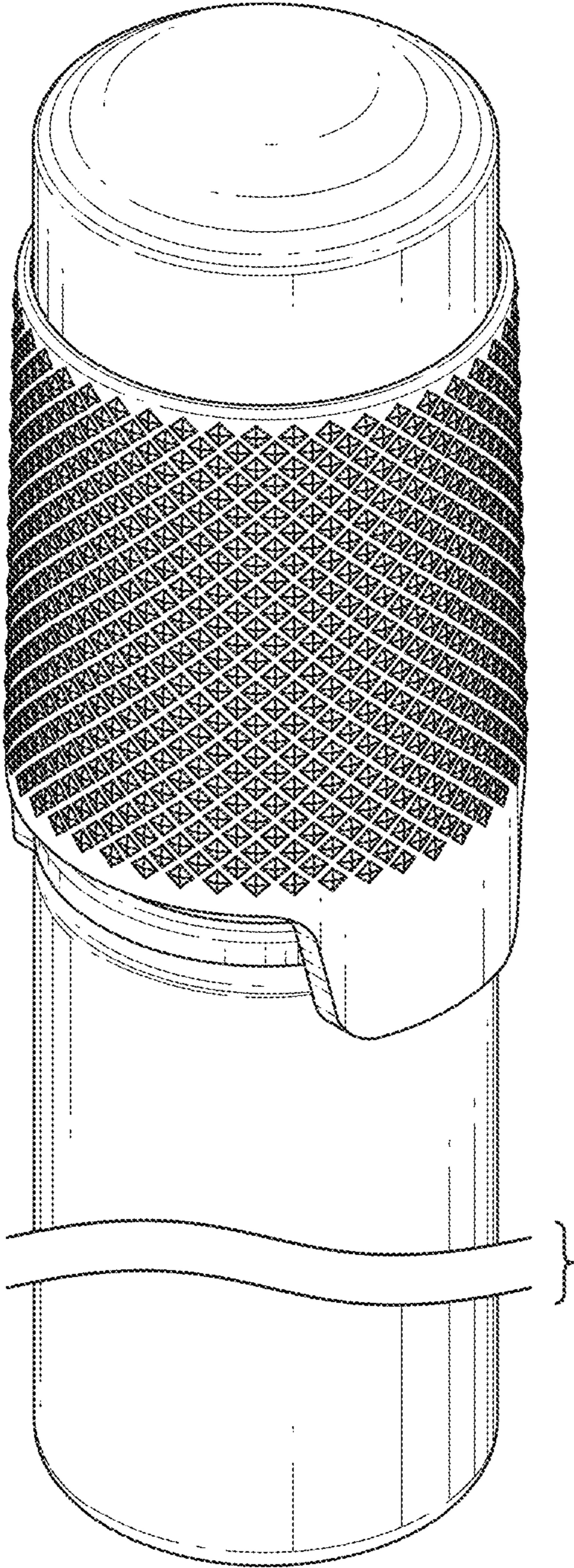


FIG. 11

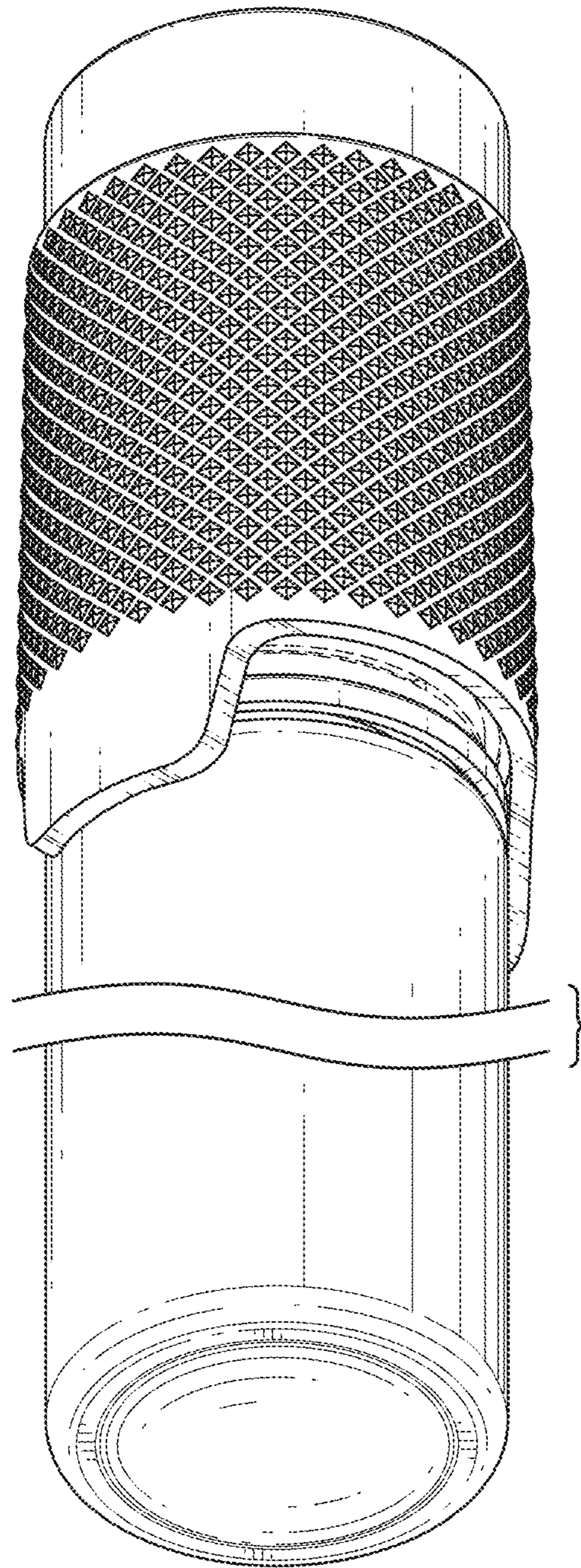


FIG. 12

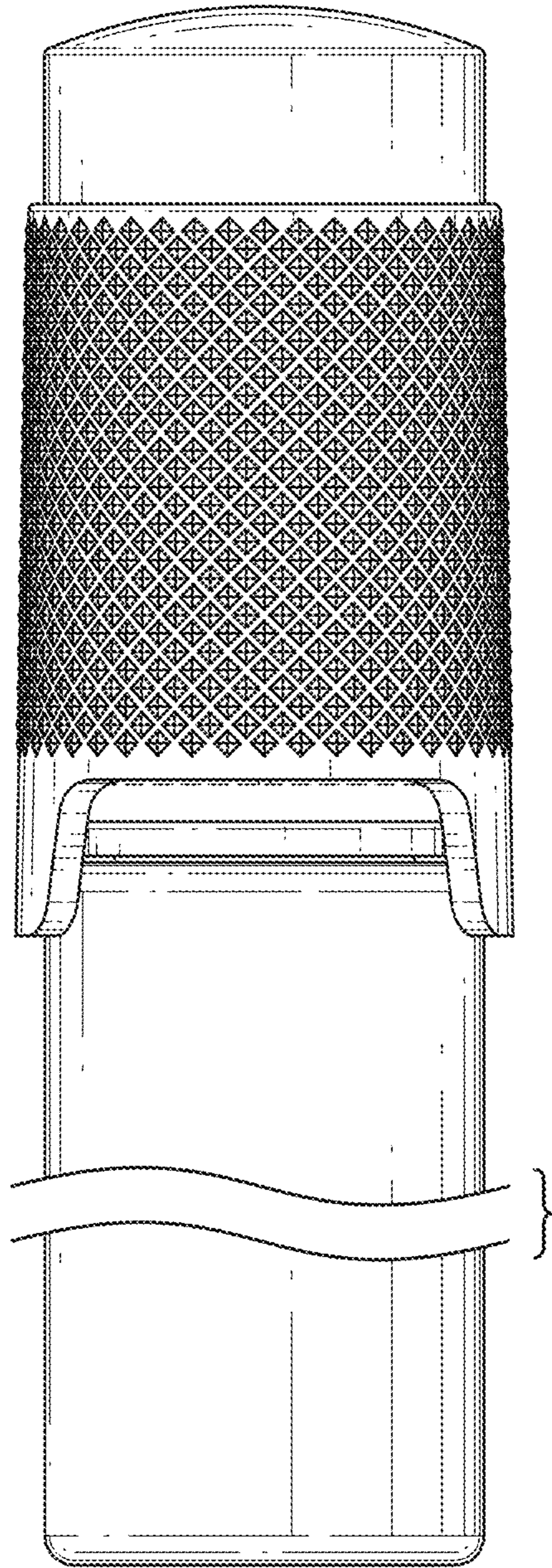


FIG. 13

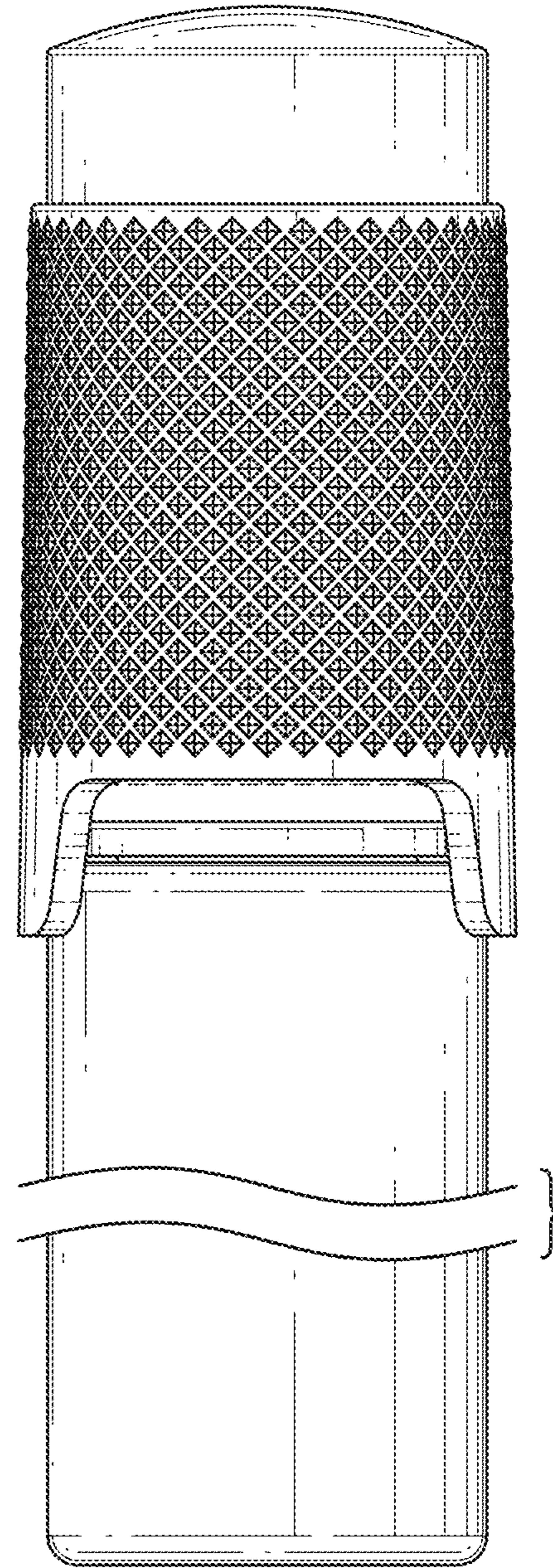


FIG. 14

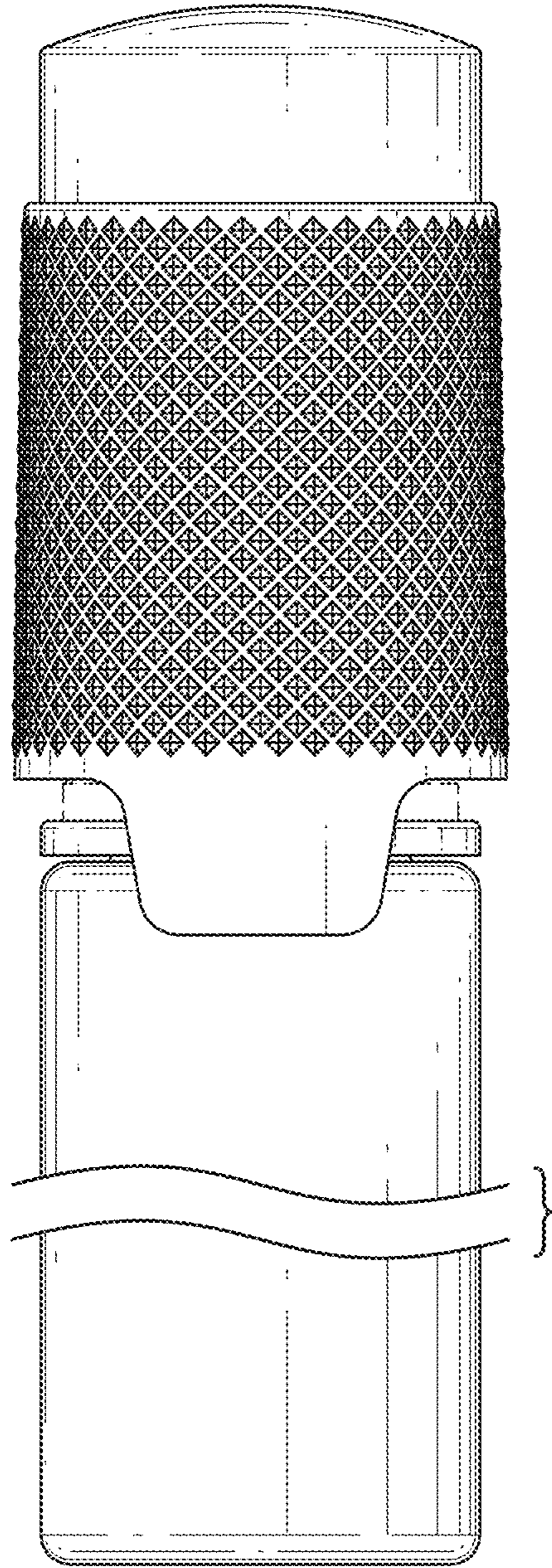


FIG. 15

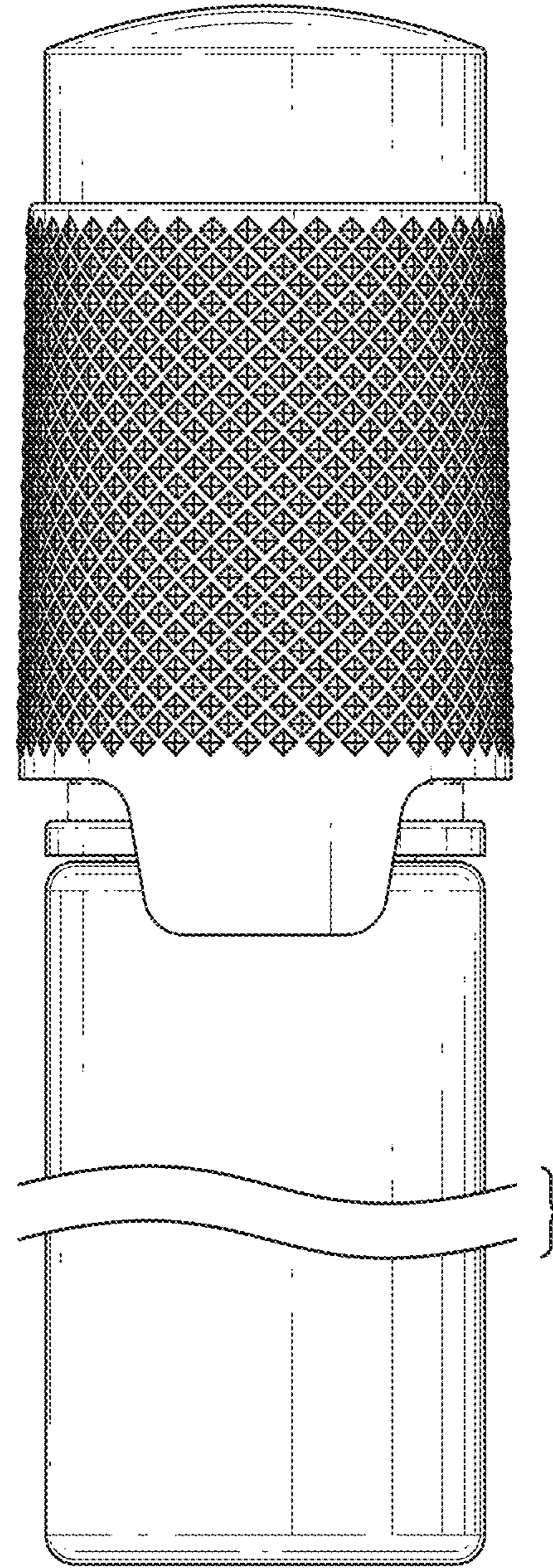


FIG. 16

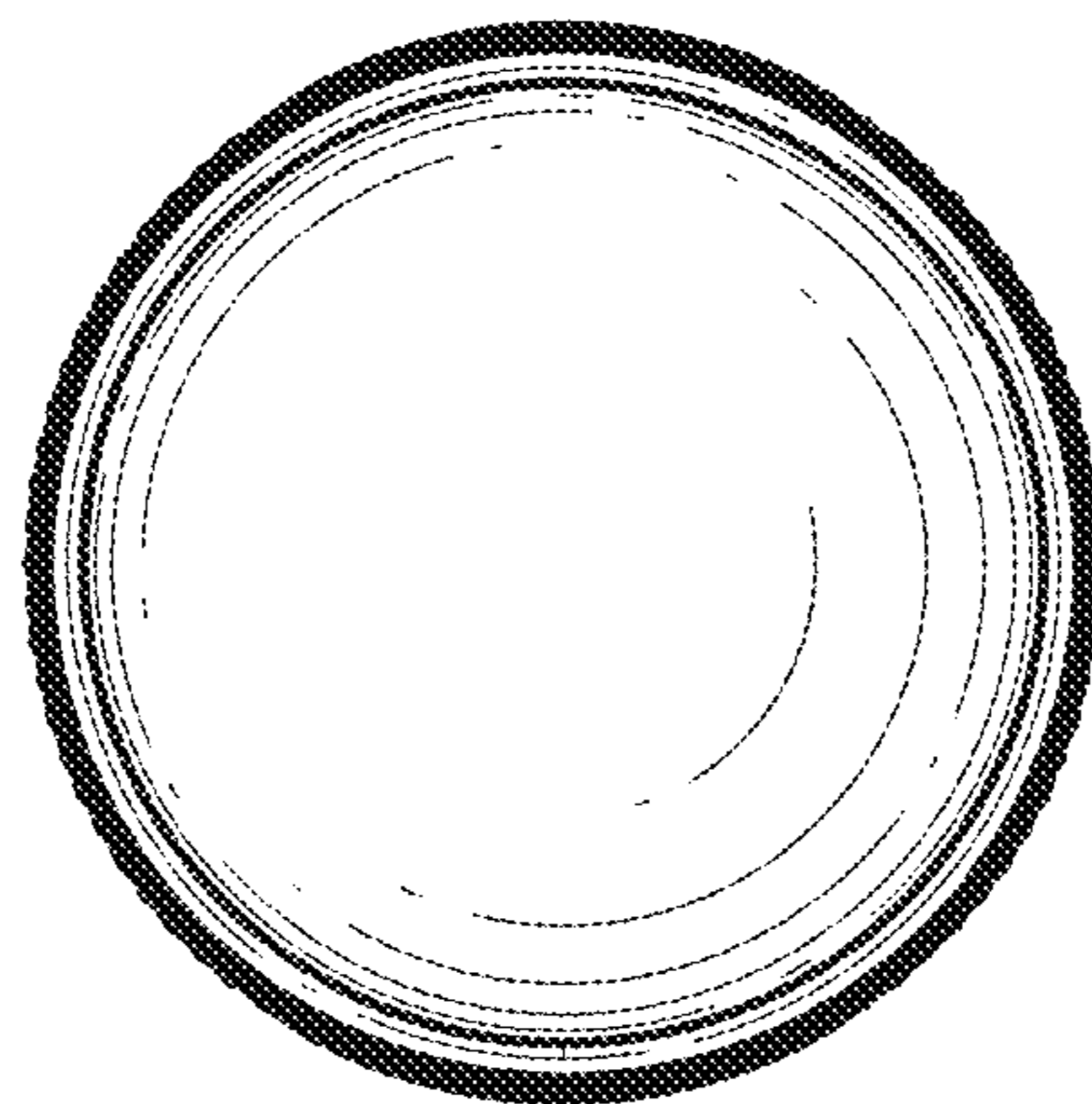


FIG. 17

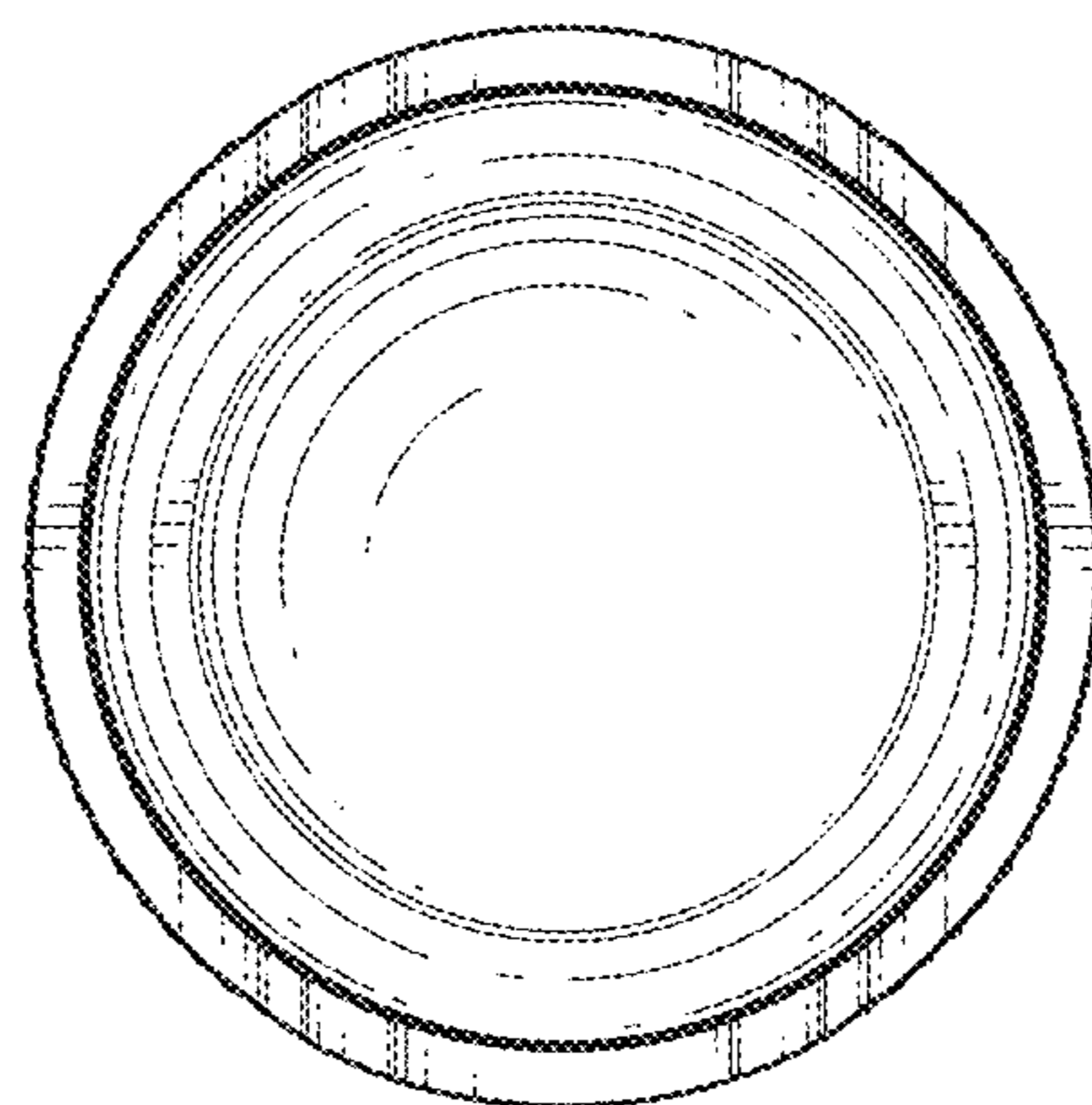


FIG. 18

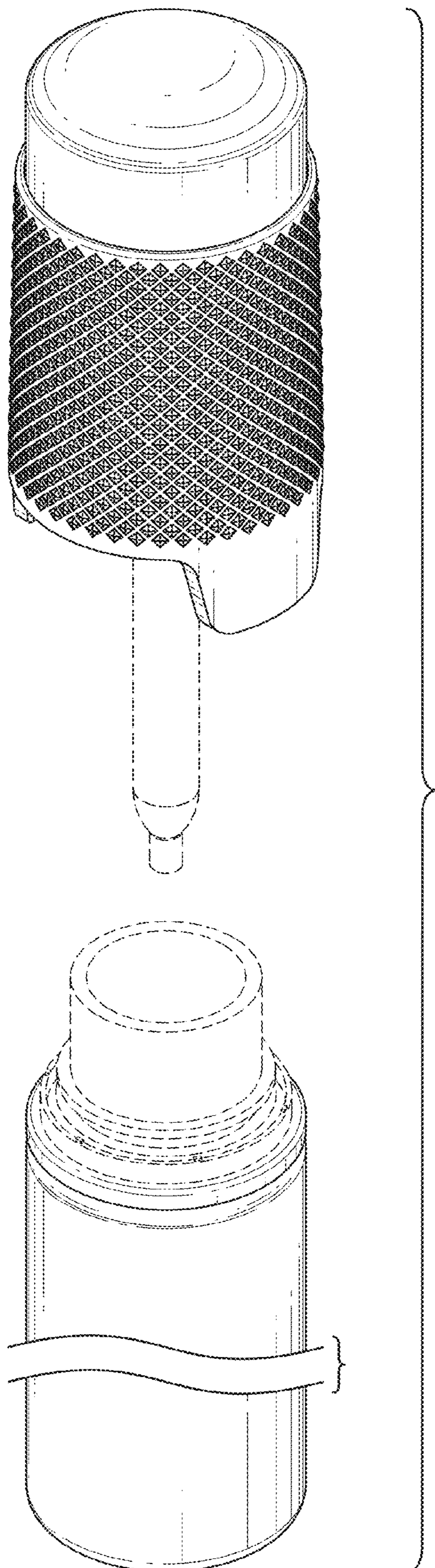


FIG. 19

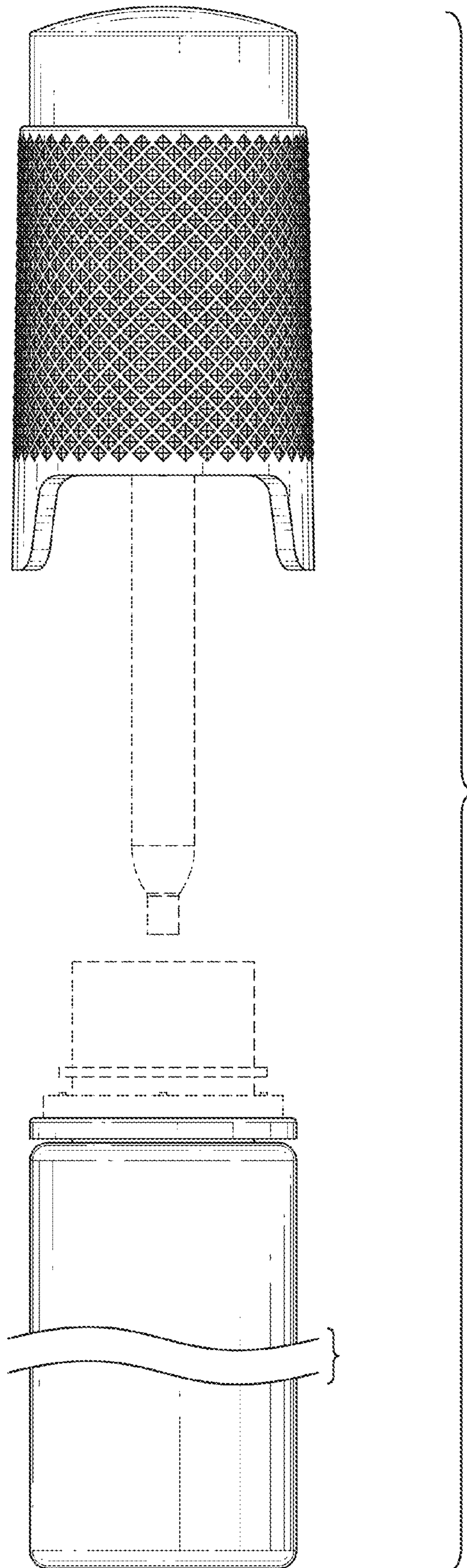


FIG. 20