



US00D914502S

(12) **United States Design Patent** (10) **Patent No.:** **US D914,502 S**
Aboabdo (45) **Date of Patent:** **** Mar. 30, 2021**

(54) **BOTTLE**

(71) Applicant: **Chubby Gorilla, Inc.**, Fullerton, CA (US)

(72) Inventor: **Ibrahiem H. Aboabdo**, Yorba Linda, CA (US)

(73) Assignee: **Chubby Gorilla, Inc.**, Fullerton, CA (US)

(**) Term: **15 Years**

(21) Appl. No.: **29/745,573**

(22) Filed: **Aug. 6, 2020**

Related U.S. Application Data

(63) Continuation of application No. 29/661,407, filed on Aug. 27, 2018, now Pat. No. Des. 892,623.

(51) **LOC (13) Cl.** **09-01**

(52) **U.S. Cl.**
USPC **D9/503; D9/443; D9/452; D9/454; D9/521**

(58) **Field of Classification Search**

USPC D9/434-435, 443, 452, 454, 500, D9/503-504, 516, 521, 529, 549, 558, D9/715, 719; D3/203.2; D24/224; D27/183, 186, 189-191; D28/76, 88
CPC B65D 1/00; B65D 1/02; B65D 1/0223; B65D 23/00; B65D 51/32; B65D 2501/00; B65D 2501/0009

See application file for complete search history.

(56) **References Cited**

U.S. PATENT DOCUMENTS

D229,748 S *	1/1974	White	D24/224
D264,555 S *	5/1982	Rand	D9/521
D395,239 S *	6/1998	Davis	D9/521
D590,661 S *	4/2009	Kitamura	D7/510
D636,683 S *	4/2011	Floyd	D9/688
D668,778 S *	10/2012	Motadel	D24/224

(Continued)

Primary Examiner — Dana Meyrow

(74) *Attorney, Agent, or Firm* — Knobbe Martens Olson & Bear, LLP

(57) **CLAIM**

The ornamental design for bottle, as shown and described herein.

DESCRIPTION

FIG. 1 is a top perspective view of a first embodiment of a bottle embodying the new design.

FIG. 2 is a bottom perspective view thereof.

FIG. 3 is a front view thereof.

FIG. 4 is a rear view thereof.

FIG. 5 is a first side view thereof.

FIG. 6 is a second side view thereof.

FIG. 7 is a top view thereof.

FIG. 8 is a bottom view thereof.

FIG. 9 is an exploded perspective view thereof.

FIG. 10 is an exploded front view thereof.

FIG. 11 is a top perspective view of a second embodiment of a bottle embodying the new design.

FIG. 12 is a bottom perspective view thereof.

FIG. 13 is a front view thereof.

FIG. 14 is a rear view thereof.

FIG. 15 is a first side view thereof.

FIG. 16 is a second side view thereof.

FIG. 17 is a top view thereof.

FIG. 18 is a bottom view thereof.

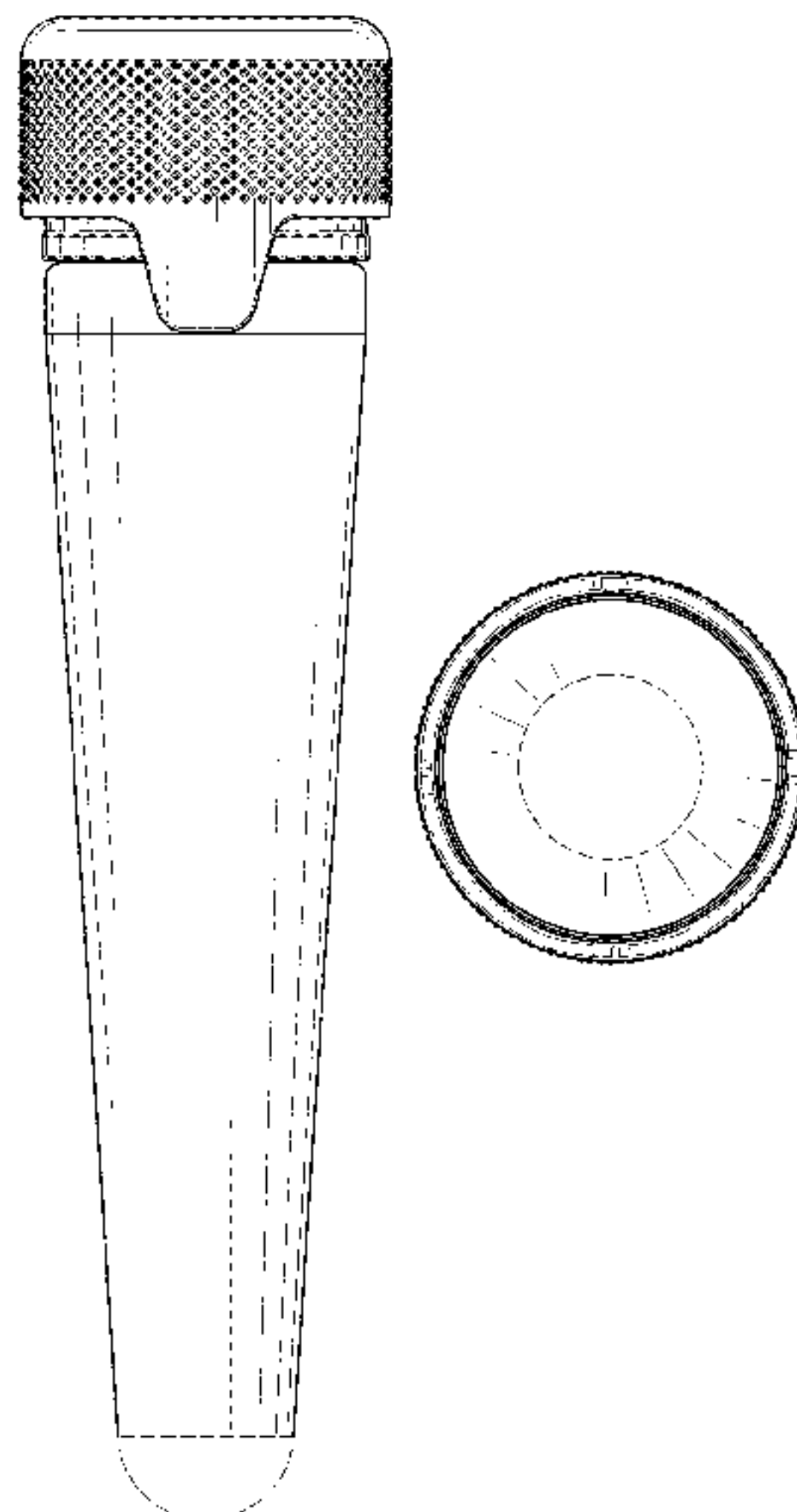
FIG. 19 is an exploded perspective view thereof; and,

FIG. 20 is an exploded front view thereof.

The second embodiment is shown with a symbolic break in its length, represented by break lines. The appearance of any portion of the article between the break lines forms no part of the claimed subject matter.

The broken lines in the drawings illustrate the portions of the bottle that form no part of the claimed design.

1 Claim, 18 Drawing Sheets



(56)

References Cited

U.S. PATENT DOCUMENTS

D687,304 S *	8/2013	Tanner	D9/521
D709,624 S *	7/2014	Baum	D24/224
D723,181 S *	2/2015	Kawamura	D24/224
D749,420 S *	2/2016	Kahlau	D9/521
D779,325 S *	2/2017	Vigoureux	D9/443
D850,913 S *	6/2019	Ke	D9/452
D854,929 S *	7/2019	Bacher	B65D 43/0231 D9/436
D869,757 S *	12/2019	Simon	D28/7
D892,623 S *	8/2020	Aboabdo	D9/503
D893,300 S *	8/2020	Aboabdo	D9/503
D894,004 S *	8/2020	Aboabdo	D9/503
D899,254 S *	10/2020	Kilduff	D9/504

* cited by examiner

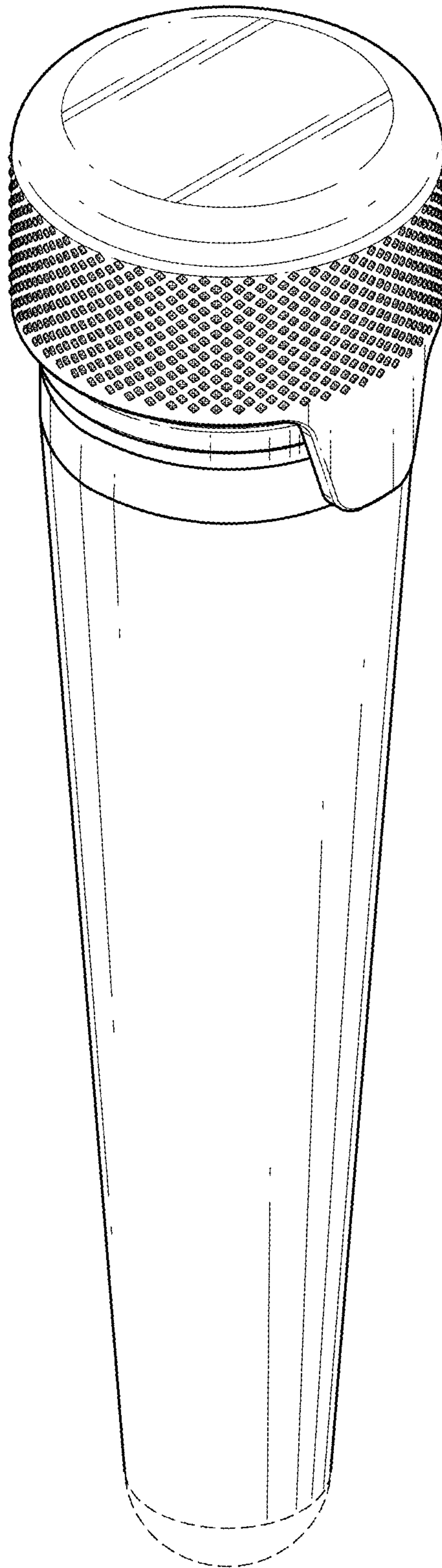


FIG. 1

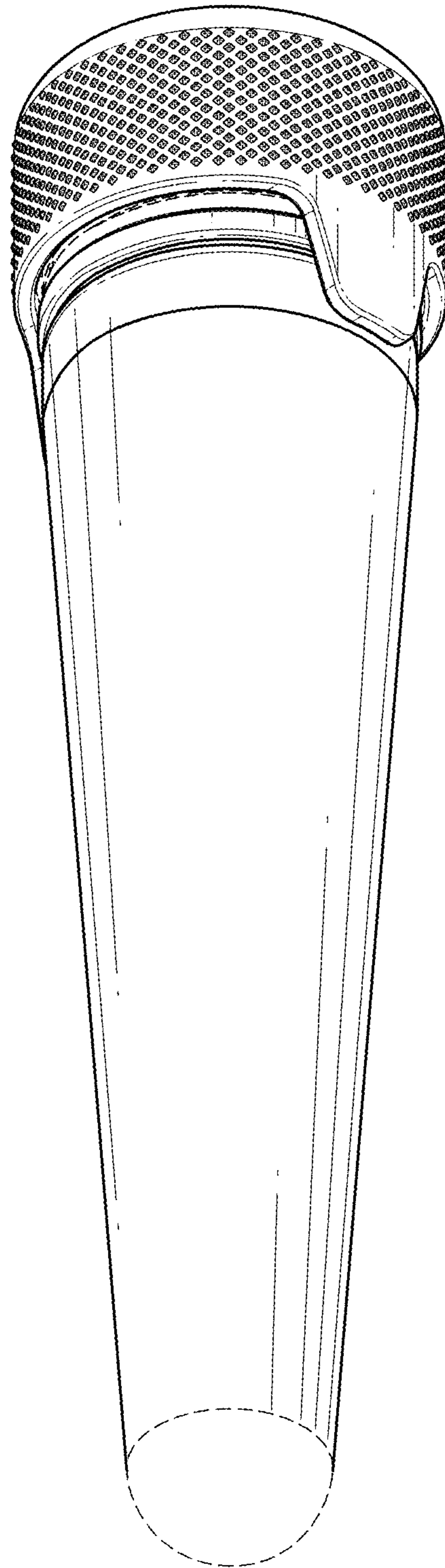


FIG. 2

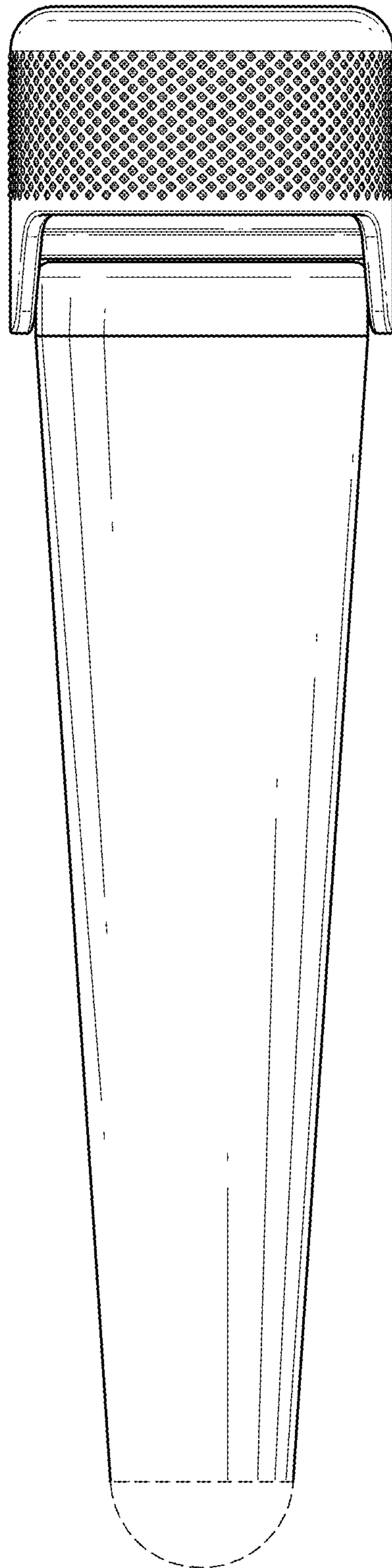


FIG. 3

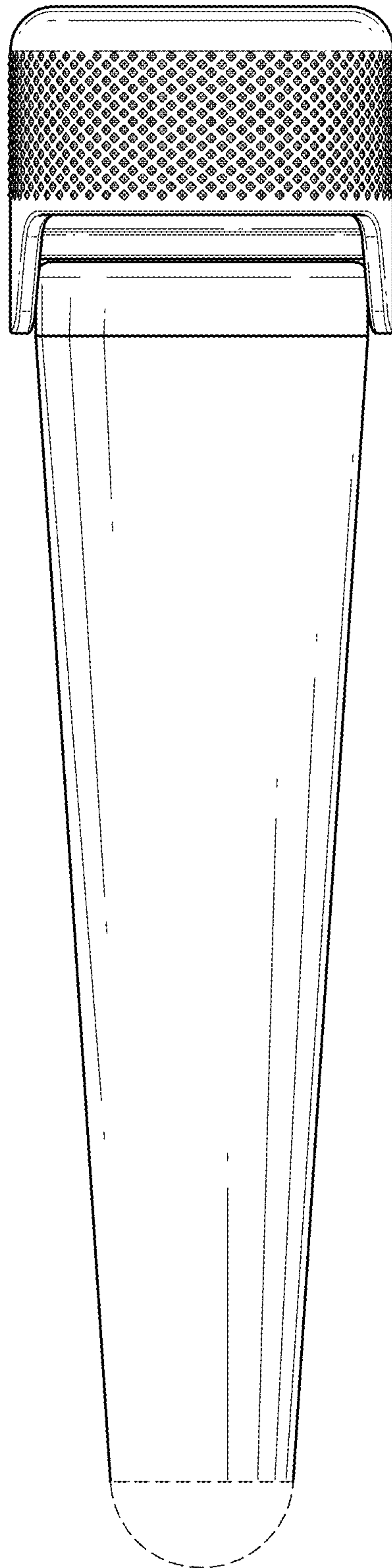


FIG. 4

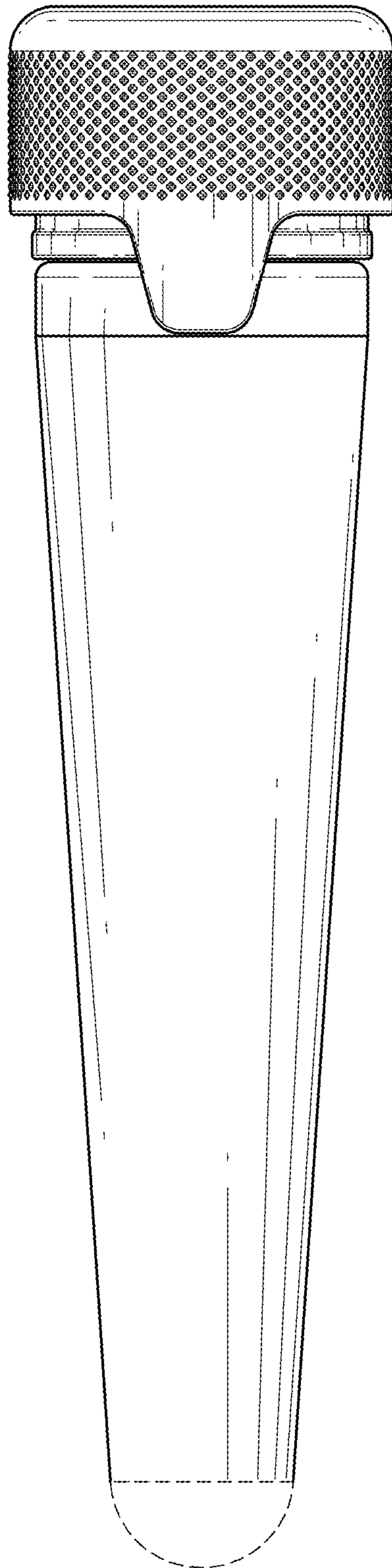


FIG. 5

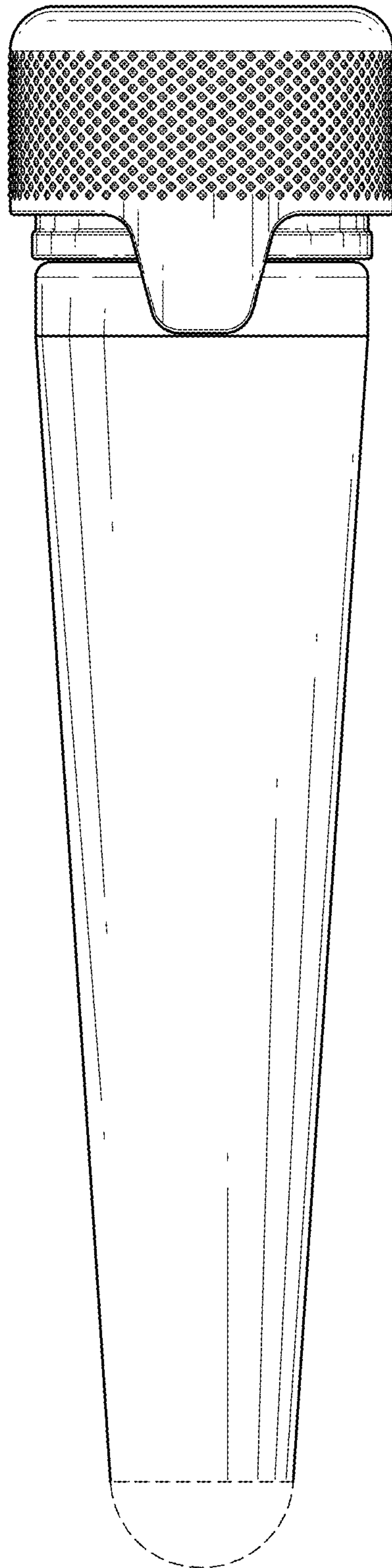


FIG. 6

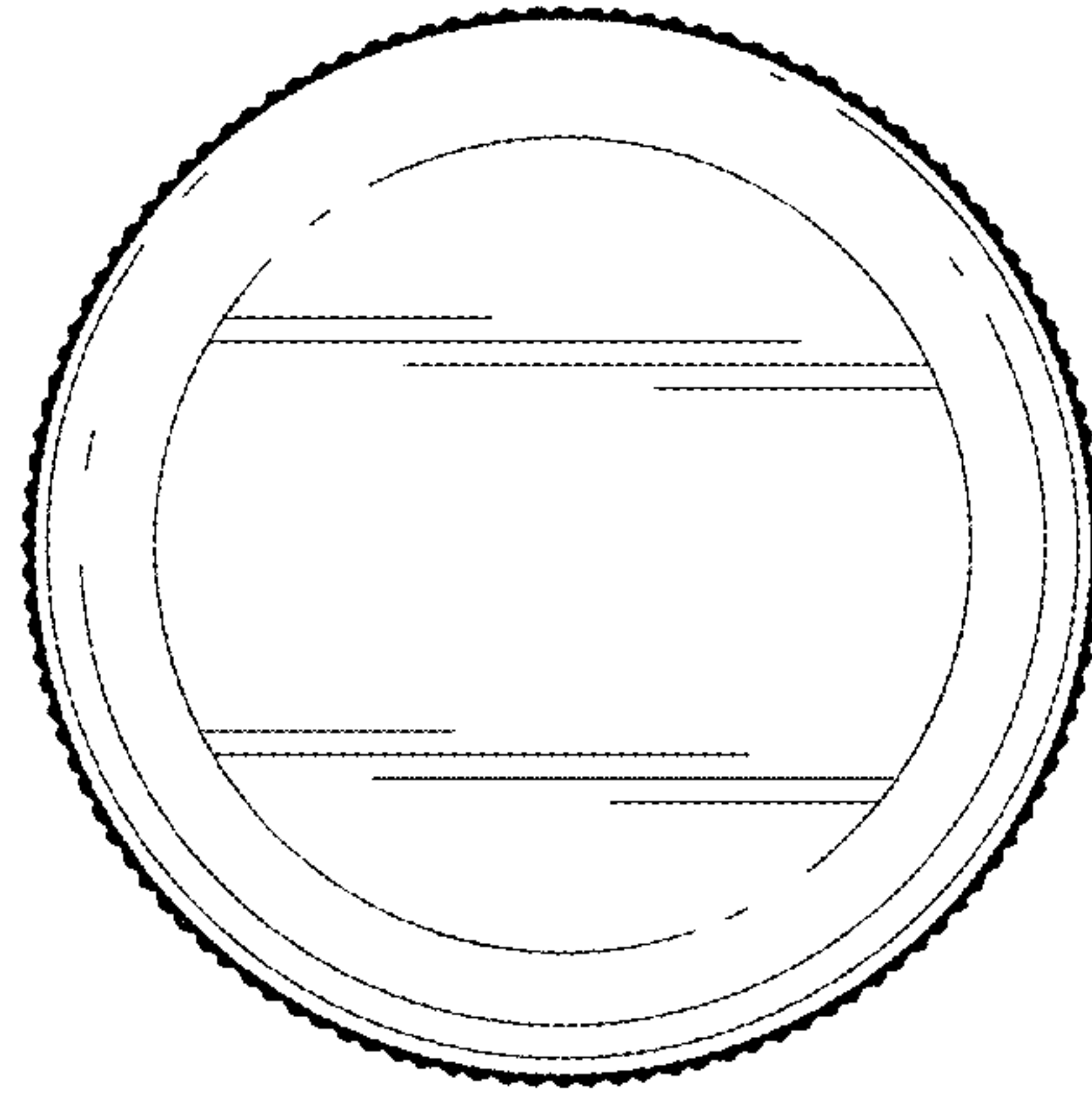


FIG. 7

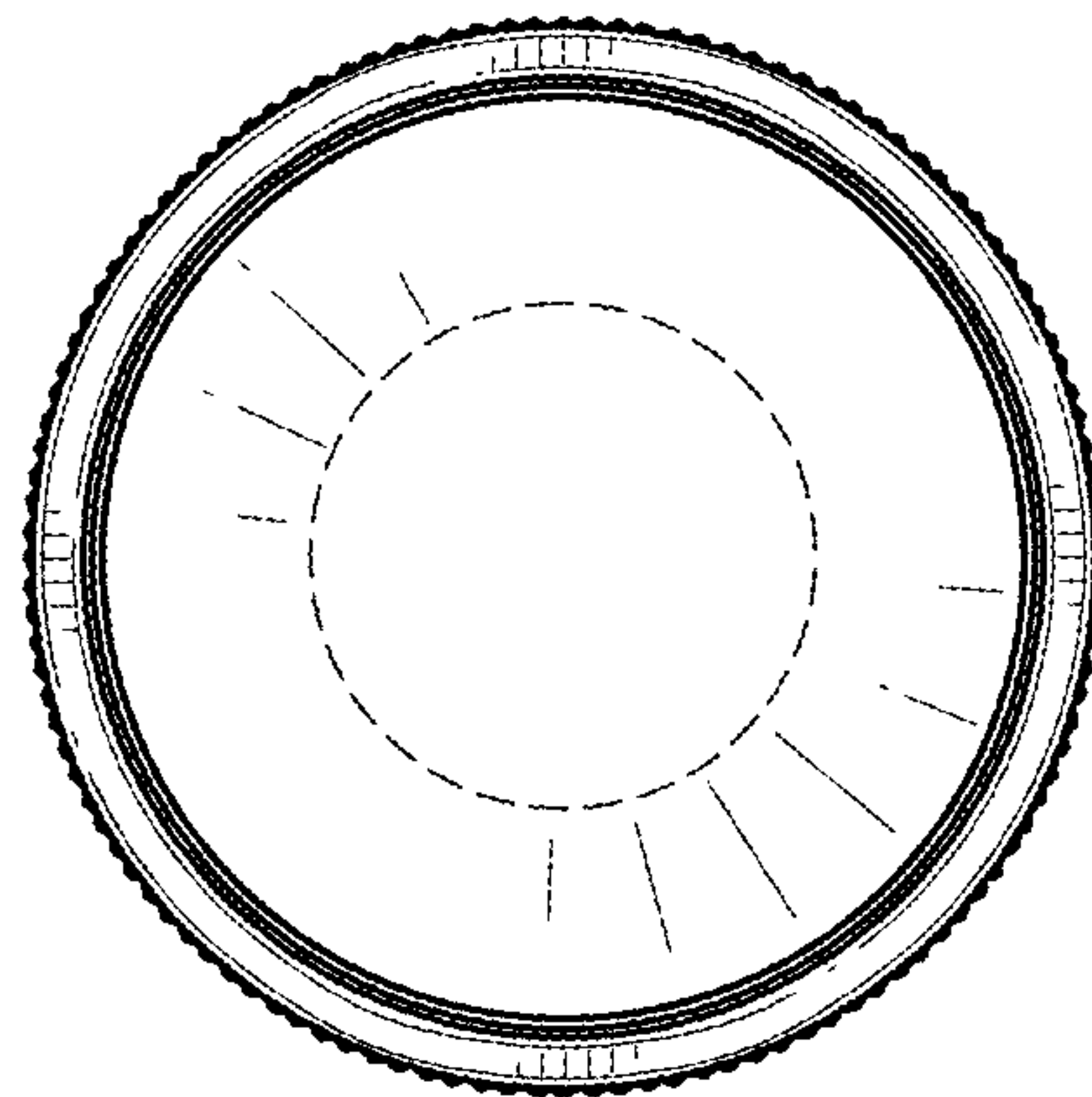


FIG. 8

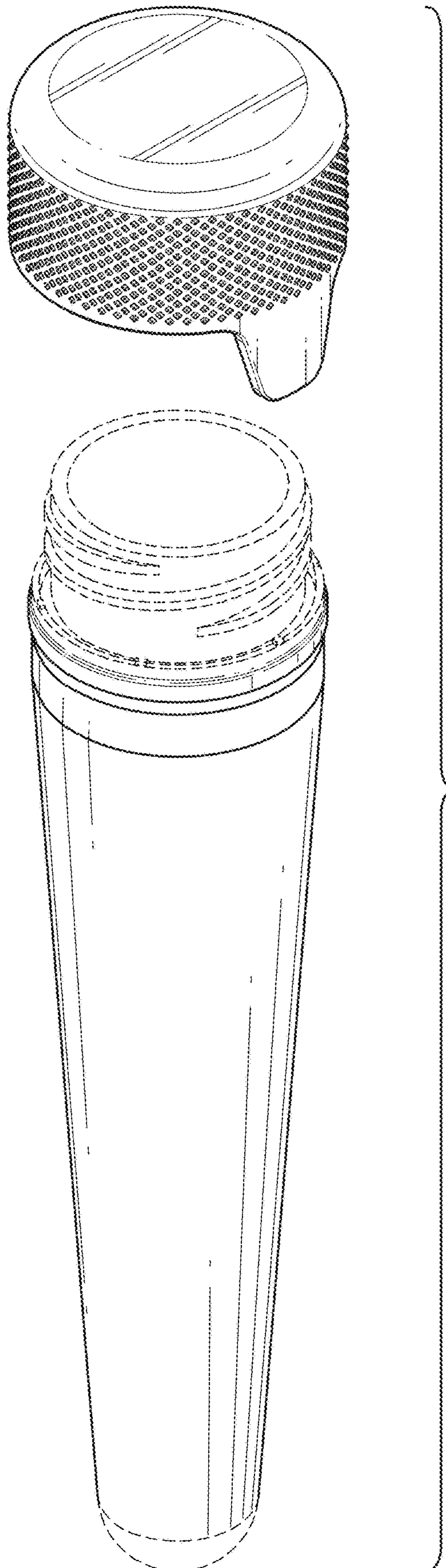


FIG. 9

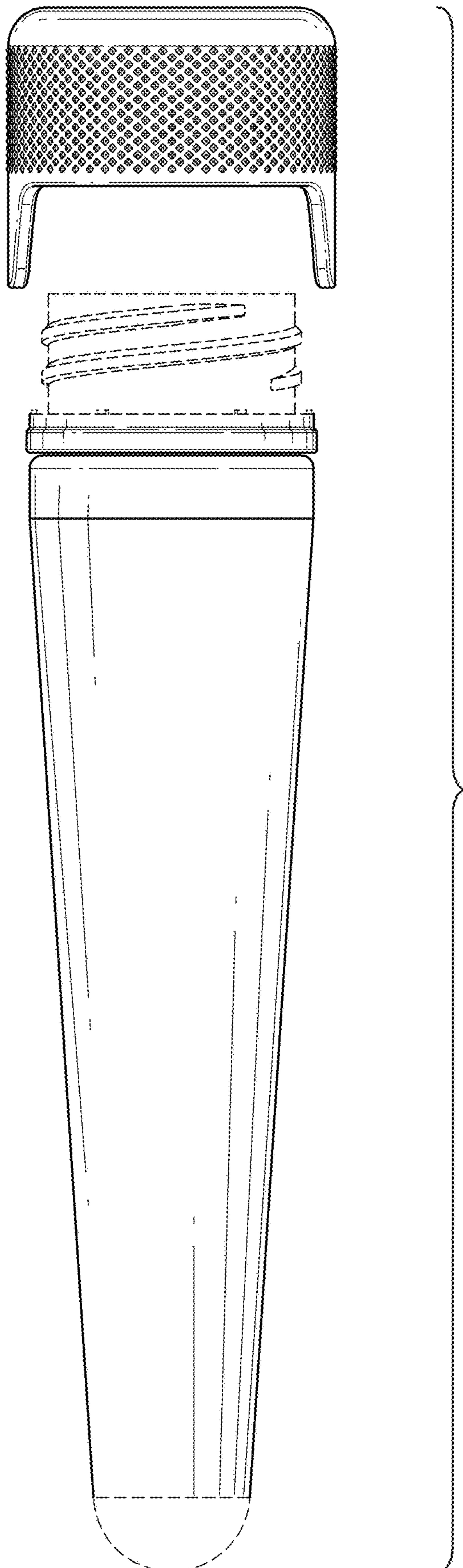


FIG. 10

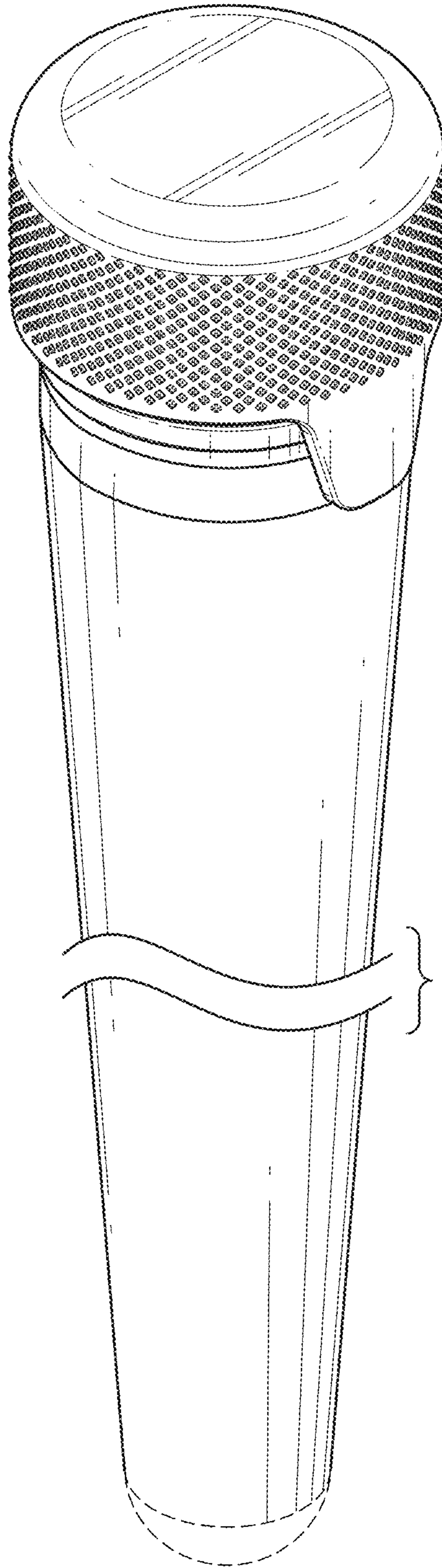


FIG. 11

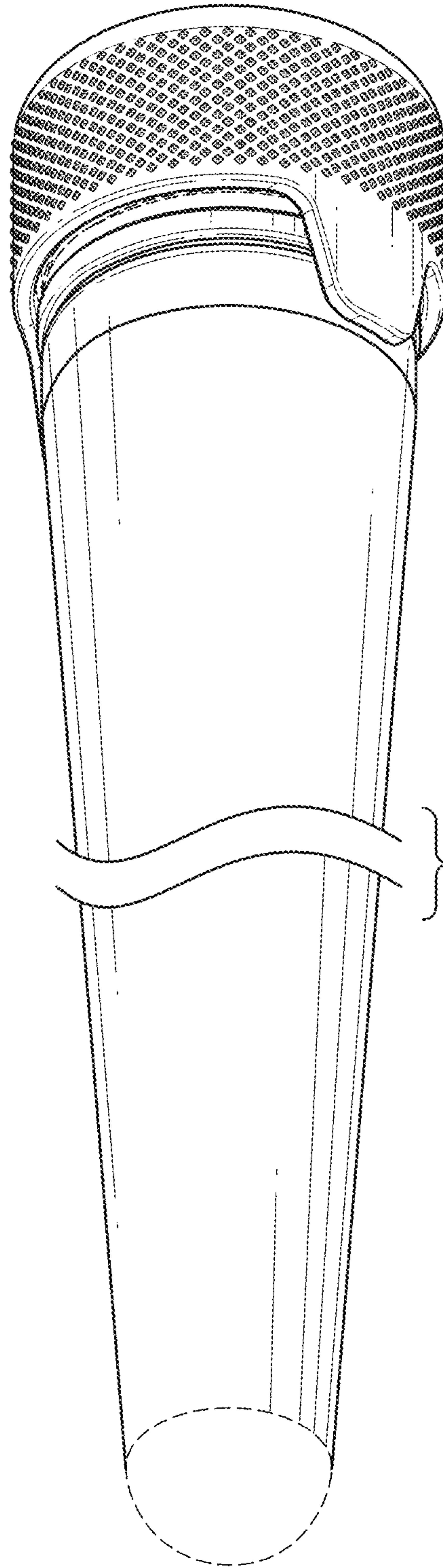


FIG. 12

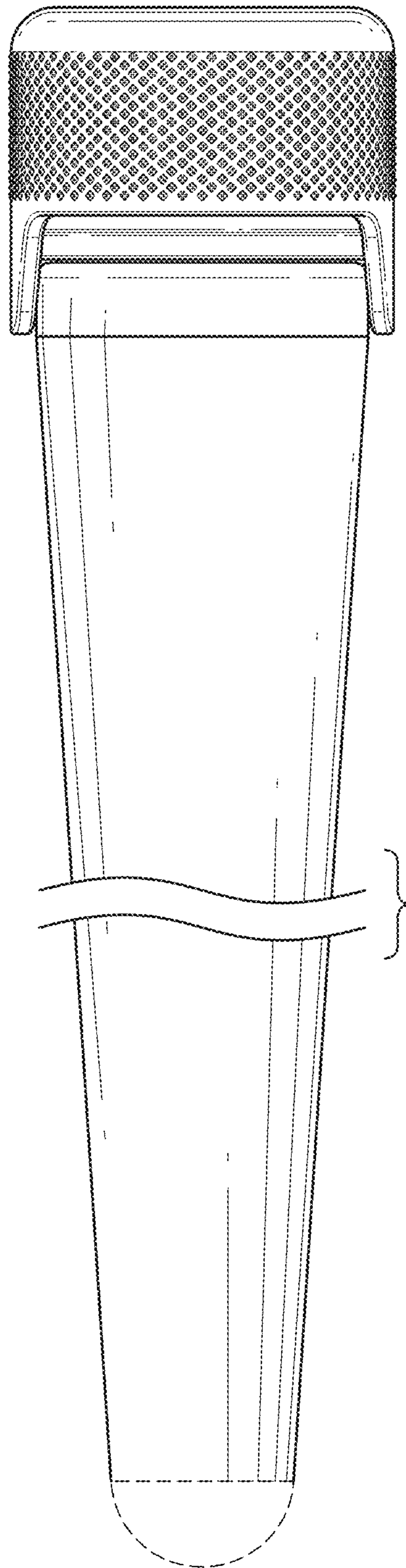


FIG. 13

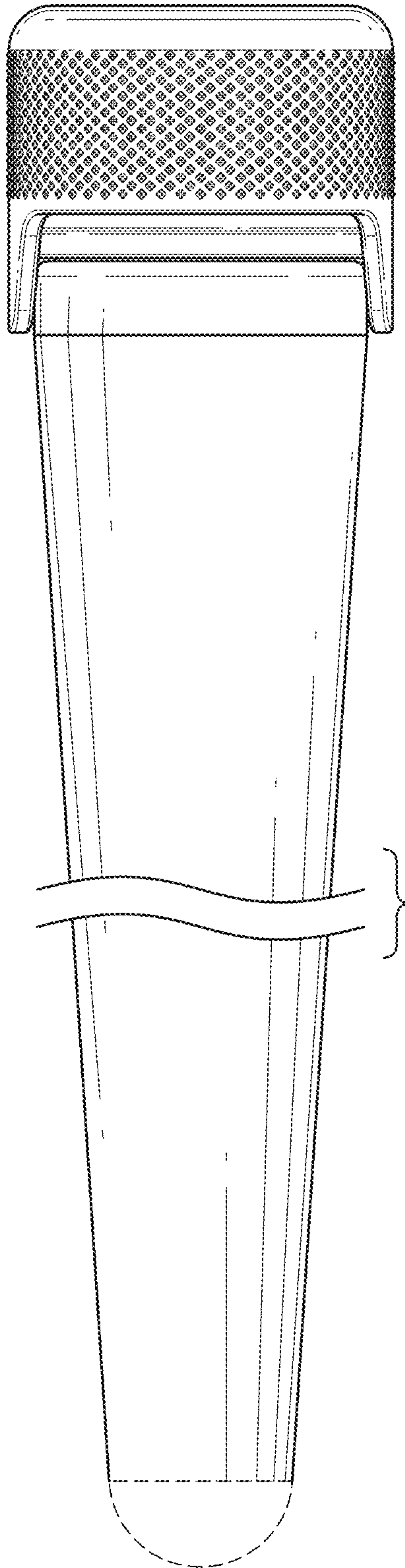


FIG. 14

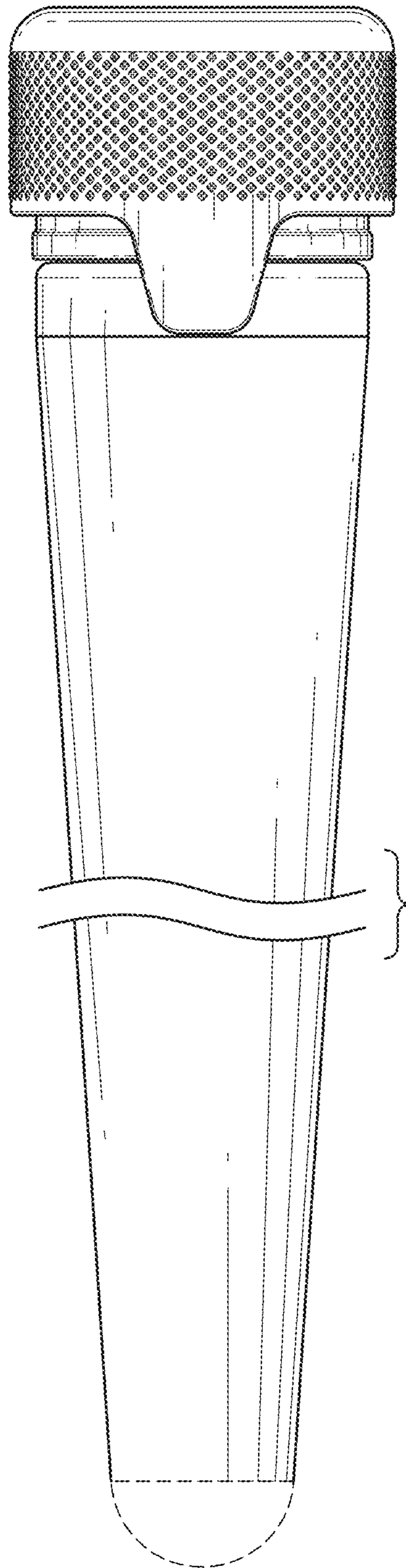


FIG. 15

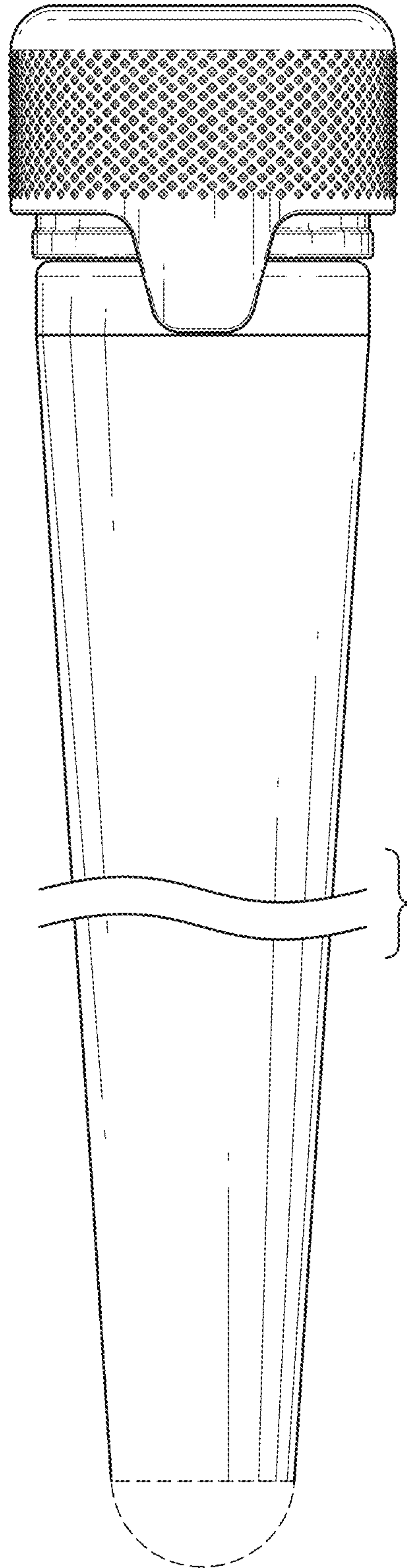


FIG. 16

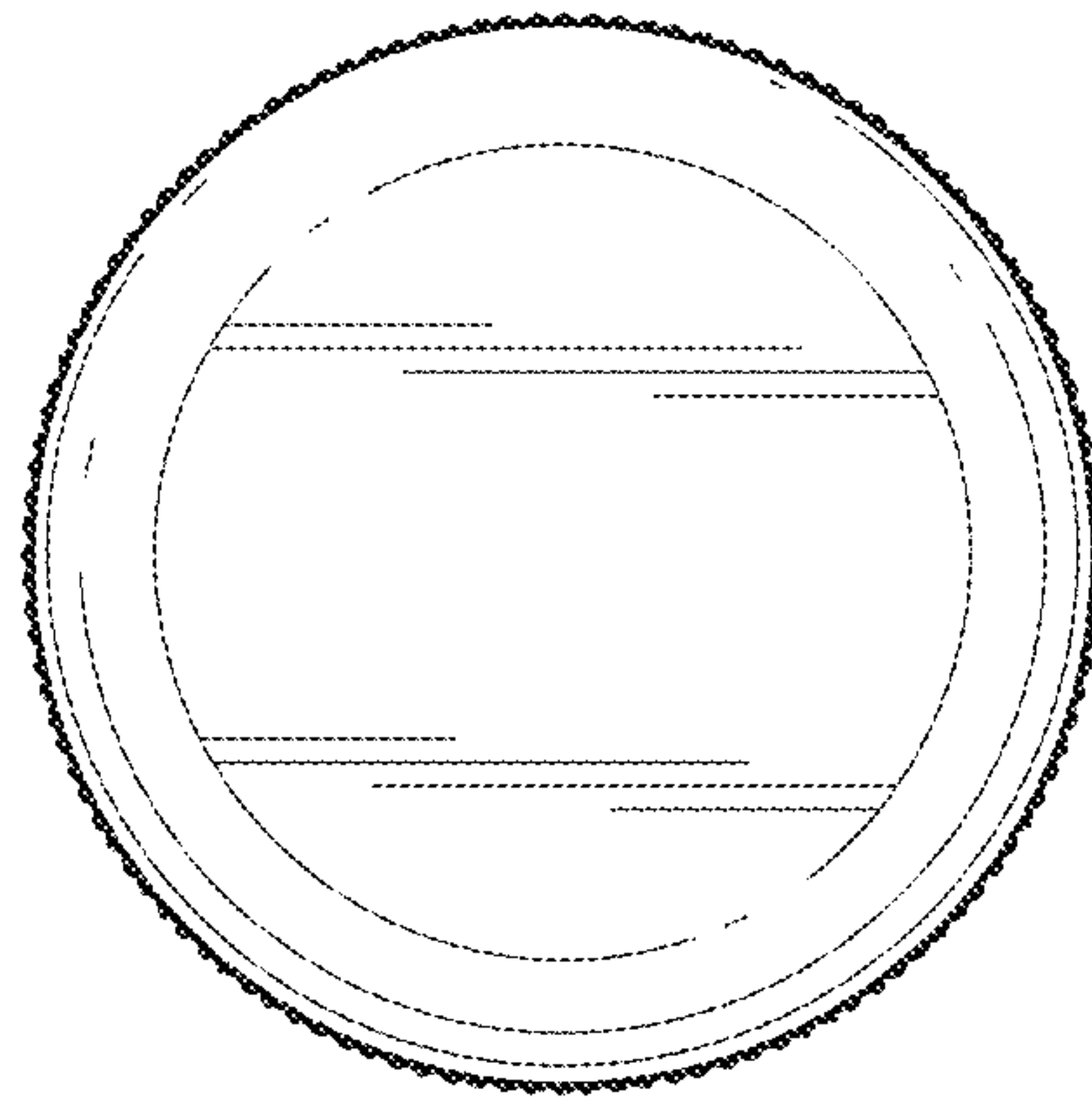


FIG. 17

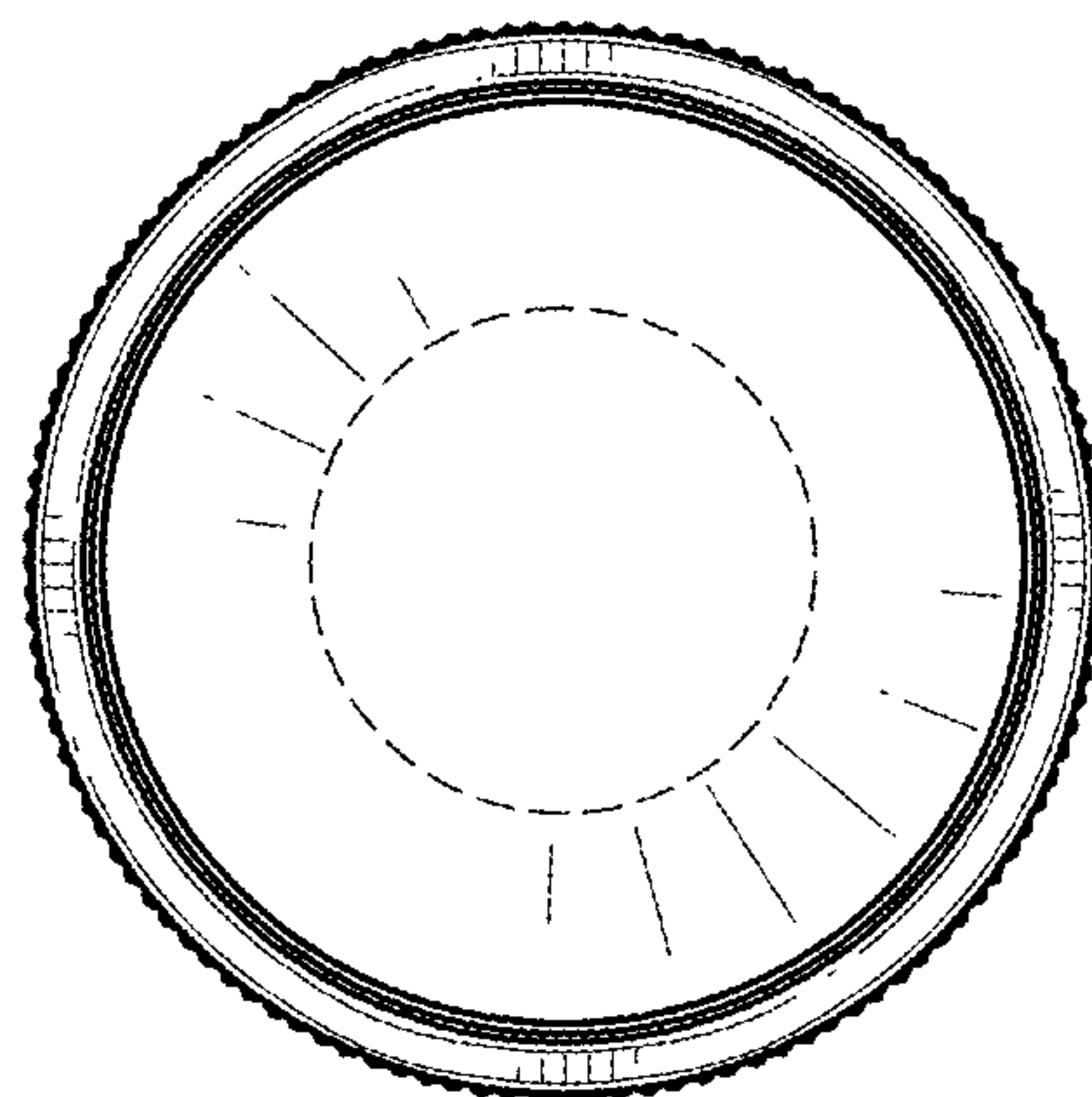


FIG. 18

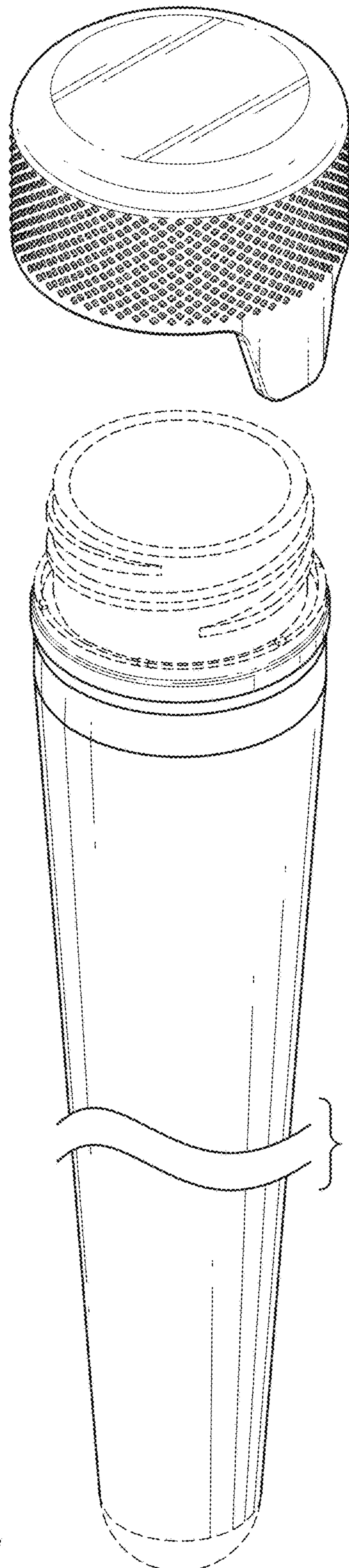


FIG. 19

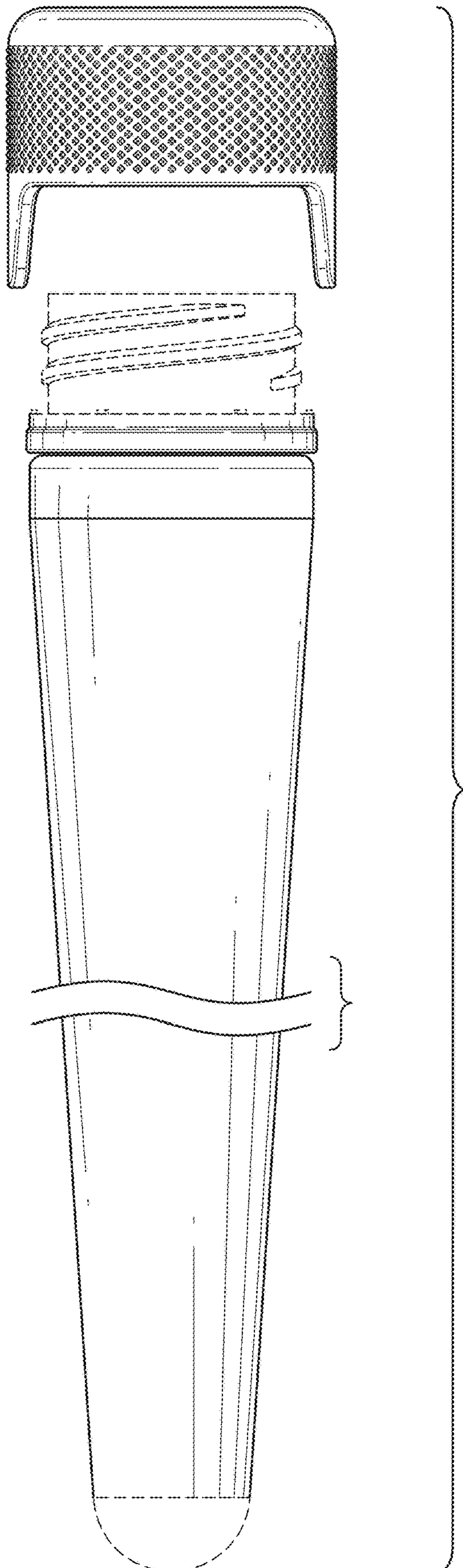


FIG. 20