



US00D914500S

(12) **United States Design Patent**
Blomberg et al.

(10) **Patent No.:** **US D914,500 S**
(45) **Date of Patent:** **** Mar. 30, 2021**

- (54) **ACCESS-RESISTANT JAR**
- (71) Applicant: **POLLEN GEAR LLC**, Hermosa Beach, CA (US)
- (72) Inventors: **Shane Grant Blomberg**, Hermosa Beach, CA (US); **Edward Kilduff**, Hermosa Beach, CA (US)
- (73) Assignee: **POLLEN GEAR LLC**, Hermosa Beach, CA (US)
- (**) Term: **15 Years**
- (21) Appl. No.: **29/685,913**
- (22) Filed: **Apr. 1, 2019**

2,076,551 A	4/1937	Conner	
2,077,215 A	4/1937	Conner	
2,077,216 A	4/1937	Conner	
2,711,766 A	6/1955	Archer et al.	
2,770,382 A	11/1956	Ritter	
2,804,103 A	8/1957	Wall	
2,980,275 A	4/1961	Isak	
3,311,248 A	3/1967	Marchant	
3,601,250 A	8/1971	Merila	
D237,361 S	10/1975	Picker	
4,020,965 A	5/1977	Northup	
4,090,631 A	5/1978	Grussen	
4,346,815 A	8/1982	Raymor et al.	
D272,722 S	2/1984	Haakenson	
D274,848 S	7/1984	Chevassus	
D275,733 S	10/1984	Pardo	
D278,121 S	3/1985	Sussman	
D280,975 S	10/1985	Dine	
D281,673 S	12/1985	Lampe	
D281,764 S	12/1985	Legrottaglie	
D284,252 S	6/1986	Lichtenvort	
D302,384 S	7/1989	Holewinski	
D322,753 S	12/1991	Sussman	
5,197,616 A	3/1993	Buono	
D347,359 S	5/1994	Robbins, I	
D381,259 S	7/1997	Hayes	
D382,809 S	8/1997	Aldrich et al.	
D403,589 S *	1/1999	Wong	D9/504
D403,590 S	1/1999	Wong	
5,894,949 A	4/1999	Taskis et al.	
D438,376 S	3/2001	Marshall	
D441,284 S	5/2001	Saur et al.	
D442,864 S	5/2001	Davies	
D445,690 S	7/2001	Ekkert	
D453,473 S	2/2002	Bianco	
D466,814 S	12/2002	Hurlburt	
D484,644 S	12/2003	Noh	
D485,017 S	1/2004	Noh	
D493,721 S	8/2004	Puigbo	
D506,128 S	6/2005	Foi	
6,986,807 B2	1/2006	Brunk	
D519,837 S	5/2006	Sturk et al.	
D522,695 S *	6/2006	Desdoigts	D28/82
7,185,780 B2	3/2007	Nomula	
D554,367 S	11/2007	Chou et al.	
D567,090 S	4/2008	Swint et al.	
7,527,159 B2	5/2009	Brozell	
D612,240 S *	3/2010	Cresswell	D9/454
D615,868 S *	5/2010	Rodriguez	D9/529
7,815,061 B1	10/2010	Robinson et al.	
D640,925 S *	7/2011	Rodriguez	D9/529
D641,245 S *	7/2011	Rodriguez	D9/529
D659,539 S *	5/2012	Bakic	D9/503

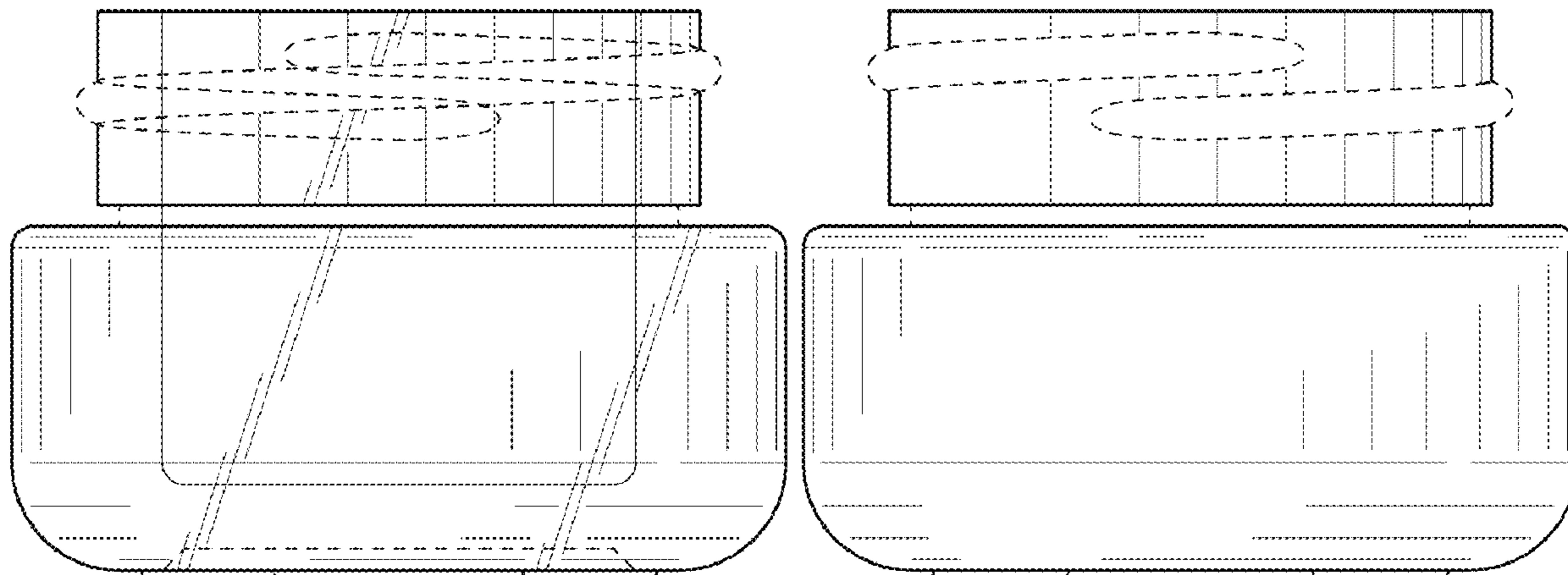
Related U.S. Application Data

- (63) Continuation of application No. 29/670,346, filed on Nov. 15, 2018, which is a continuation-in-part of application No. 29/589,016, filed on Dec. 27, 2016, now Pat. No. Des. 842,700, which is a continuation-in-part of application No. 29/580,322, filed on Oct. 7, 2016, now abandoned.
- (51) **LOC (13) Cl.** **09-01**
- (52) **U.S. Cl.**
USPC **D9/500**
- (58) **Field of Classification Search**
USPC D9/414, 434, 500, 503-504, 516, 520, D9/529, 549, 558, 715; D3/202, 203.2; D28/4, 8, 76, 91
CPC B65D 1/00; B65D 1/02; B65D 1/0223; B65D 23/00; B65D 81/00; B65D 2501/00; B65D 2501/0009; A45D 34/00; A45D 34/04
See application file for complete search history.

(56) **References Cited**

U.S. PATENT DOCUMENTS

D26,704 S * 3/1897 Morningstar D9/503
D34,061 S 2/1901 Scattergood
2,076,549 A 4/1937 Conner



8,205,761	B2	6/2012	Stull et al.	
D666,061	S *	8/2012	Ying	D7/629
D679,990	S *	4/2013	O'Brien	D9/428
D691,888	S *	10/2013	Mettler	D9/454
8,672,158	B2	3/2014	Taber et al.	
8,863,947	B2	10/2014	Sibley	
D721,270	S *	1/2015	Dittmer	D9/503
9,045,265	B2	6/2015	Adamczak	
D736,087	S *	8/2015	Birgers	D9/418
9,151,531	B2	10/2015	Wengreen et al.	
D750,885	S	3/2016	Chazel et al.	
D765,512	S *	9/2016	Joulia	D28/7
9,629,437	B2 *	4/2017	Shen	A45D 40/0068
D787,895	S *	5/2017	Kilduff	D7/629
D842,700	S *	3/2019	Blomberg	D9/500
2005/0074528	A1	4/2005	Servaux et al.	
2008/0308518	A1	12/2008	Sprishen	
2008/0314900	A1	12/2008	Biesecker et al.	
2009/0212004	A1	8/2009	Metzger et al.	
2011/0147334	A1	6/2011	Mettu et al.	
2013/0105476	A1	5/2013	Hammer et al.	
2014/0311940	A1	10/2014	Braveman	
2014/0343493	A1	11/2014	Wengreen	
2015/0076103	A1	3/2015	Koller et al.	
2015/0122767	A1	5/2015	Mettu et al.	
2015/0122769	A1	5/2015	Taber et al.	
2015/0298866	A1	10/2015	Hagen	
2016/0030285	A1	2/2016	Miceli et al.	
2016/0107796	A1	4/2016	Sibley	
2016/0295993	A1	10/2016	Wojcik et al.	
2018/0271251	A1	9/2018	Yeo	
2019/0241322	A1 *	8/2019	Blomberg	B65D 50/06
2020/0156826	A1 *	5/2020	Kilduff	B65D 43/162

FOREIGN PATENT DOCUMENTS

CN	3039760	1/1996
CN	3216306	1/2002
CN	3346458	1/2004
CN	3368364	5/2004
CN	3499121	1/2006
CN	3510821	3/2006
CN	300855076 S	12/2008
CN	301180021 S	4/2010
CN	301490884 S	3/2011
CN	301677544 S	9/2011
CN	302200652 S	11/2012
CN	302338869 S	3/2013
CN	302516445 S	7/2013
CN	302540997 S	8/2013
CN	302627739 S	11/2013
CN	302965548 S	10/2014
CN	303030375 S	12/2014
CN	303177285 S	4/2015
CN	303214397 S	5/2015
CN	303265357 S	7/2015
CN	303407633 S	10/2015
CN	303595730 S	2/2016
CN	303603019 S	3/2016
CN	303726533 S	6/2016
CN	2018304200716	1/2019
CN	2018303089815	2/2019
CN	2018303989908	3/2019
CN	2018304467676	3/2019
EP	0059120030004	2/2019
FR	2720376 A1	12/1995
JP	2001158455 A	6/2001
JP	D1188534	10/2003
JP	D1294824	2/2007
JP	D1392548	7/2010
JP	D1550735	5/2016
KR	300247819	11/1999
KR	300365162	10/2004
KR	300598093	5/2011
SI	9650055	10/1996
TR	200501421	7/2005

OTHER PUBLICATIONS

“7ml clear glass low-profile jar with 38-400 neck finish”, Container & packaging Supply, retrieved Aug. 2017.
 “Frosted Glass Low Profile Jar—7ml”, Saffire Blue inc., retrieved Aug. 2017.
 “Glass Jar: EL-32315”, Products, McKernan Packaging Clearing House, retrieved Aug. 2017, 4 pages.
 “McKernan Adds Low Profile, Frosted Glass Jars”, Beauty Packaging, published Jun. 2012, 7 pages.
 Alameda Packaging, Child Resistant Plastic Caps; https://www.alamedapackaging.com/Catalog/Caps/Plastic_Caps/NonDispensing_Caps/181/Child_Resistant_Plastic_Caps.html; Oct. 3, 2014.
 DHgate.com, Clear color 5ml glass jar tempered glass storage jars dab wax jar container oil concentrate & cosmetic cream container, <http://www.dhgate.com/product/clear-color-5ml-glass-jar-tempered-glass/238531495.html>; Apr. 29, 2016.
 Holistic Packaging Company <http://holisticpackaging.com/>, Apr. 29, 2016.
 SKS Science, White Child Resistant PE Lined “Push Down” Caps, <https://www.sks-science.com/closures-p-2756.html>; Aug. 10, 2005.

* cited by examiner

Primary Examiner — Dana Meyrow
 (74) Attorney, Agent, or Firm — RMCK Law Group PLC

(57) CLAIM

The ornamental design for an access-resistant jar, as shown and described.

DESCRIPTION

FIG. 1 is a top perspective view of an access-resistant jar in an open condition in accordance with the present teachings. FIG. 2 is a bottom perspective view of the access-resistant jar of FIG. 1. FIG. 3 is a first side view of the access-resistant jar of FIG. 1. FIG. 4 is a second side view of the access-resistant jar of FIG. 1. FIG. 5 is a third side view of the access-resistant jar of FIG. 1. FIG. 6 is a fourth side view of the access-resistant jar of FIG. 1. FIG. 7 is a top view of the access-resistant jar of FIG. 1. FIG. 8 is a bottom view of the access-resistant jar of FIG. 1. FIG. 9 is a cross-sectional view of the access-resistant jar of FIG. 3. FIG. 10 is a top perspective view of an access-resistant jar in an open condition in accordance with the present teachings. FIG. 11 is a bottom perspective view of the access-resistant jar of FIG. 10. FIG. 12 is a first side view of the access-resistant jar of FIG. 10. FIG. 13 is a second side view of the access-resistant jar of FIG. 10. FIG. 14 is a third side view of the access-resistant jar of FIG. 10. FIG. 15 is a fourth side view of the access-resistant jar of FIG. 10. FIG. 16 is a top view of the access-resistant jar of FIG. 10. FIG. 17 is a bottom view of the access-resistant jar of FIG. 10; and, FIG. 18 is a cross-sectional view of the access-resistant jar of FIG. 12.

The broken lines in the drawings illustrate the portions of the access-resistant jar that form no part of the claim.

1 Claim, 6 Drawing Sheets

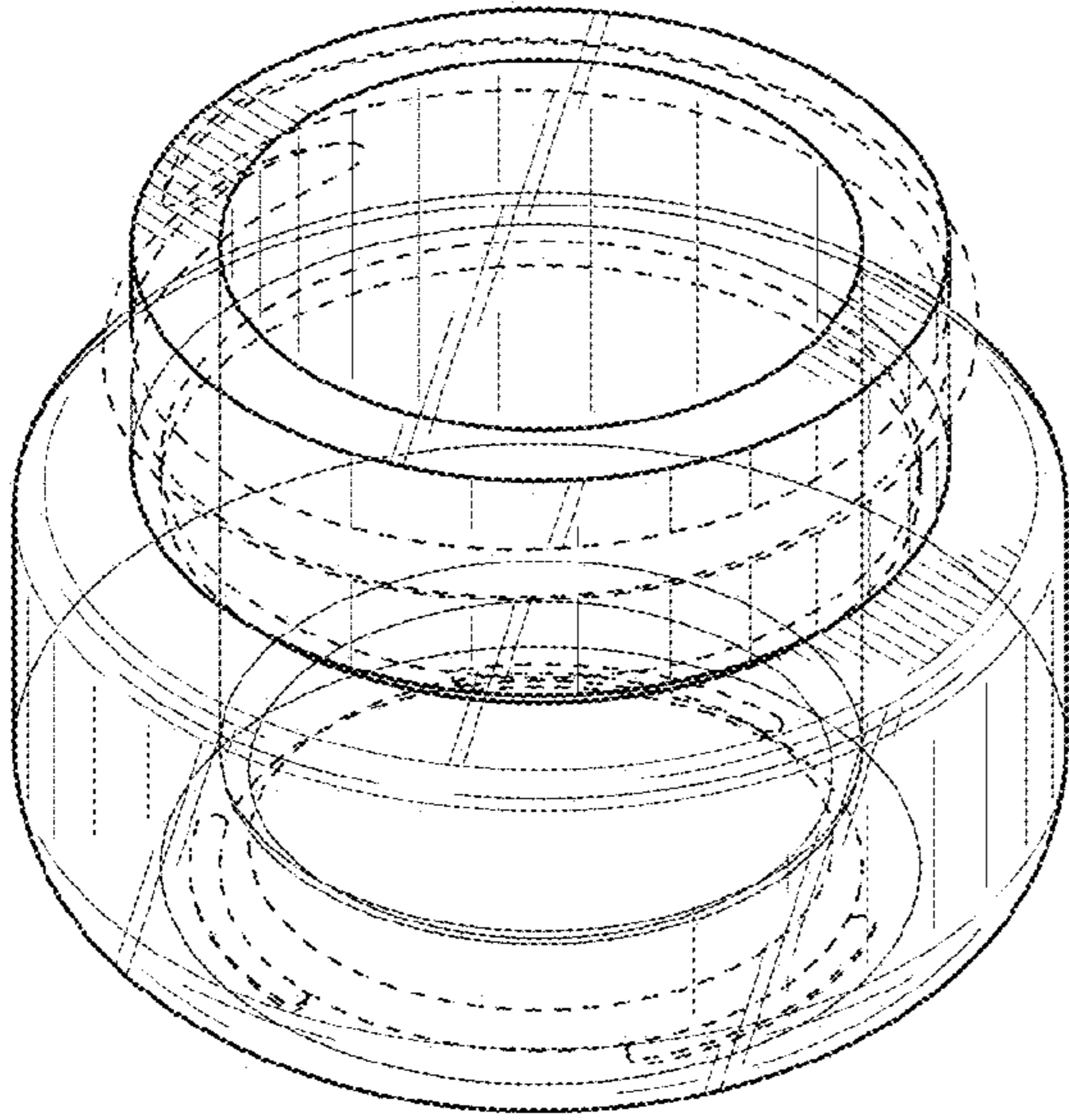


FIG. 1

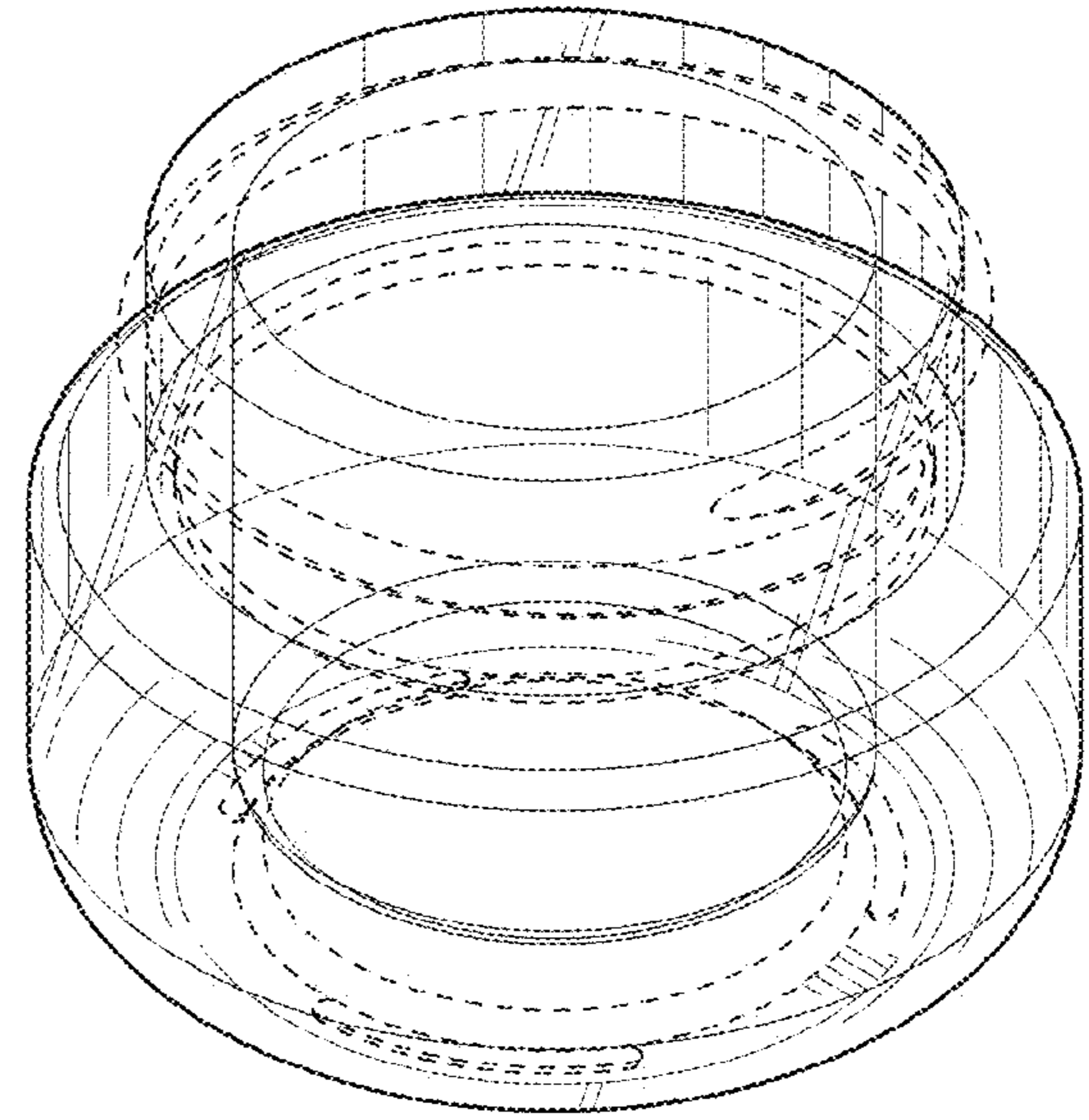


FIG. 2

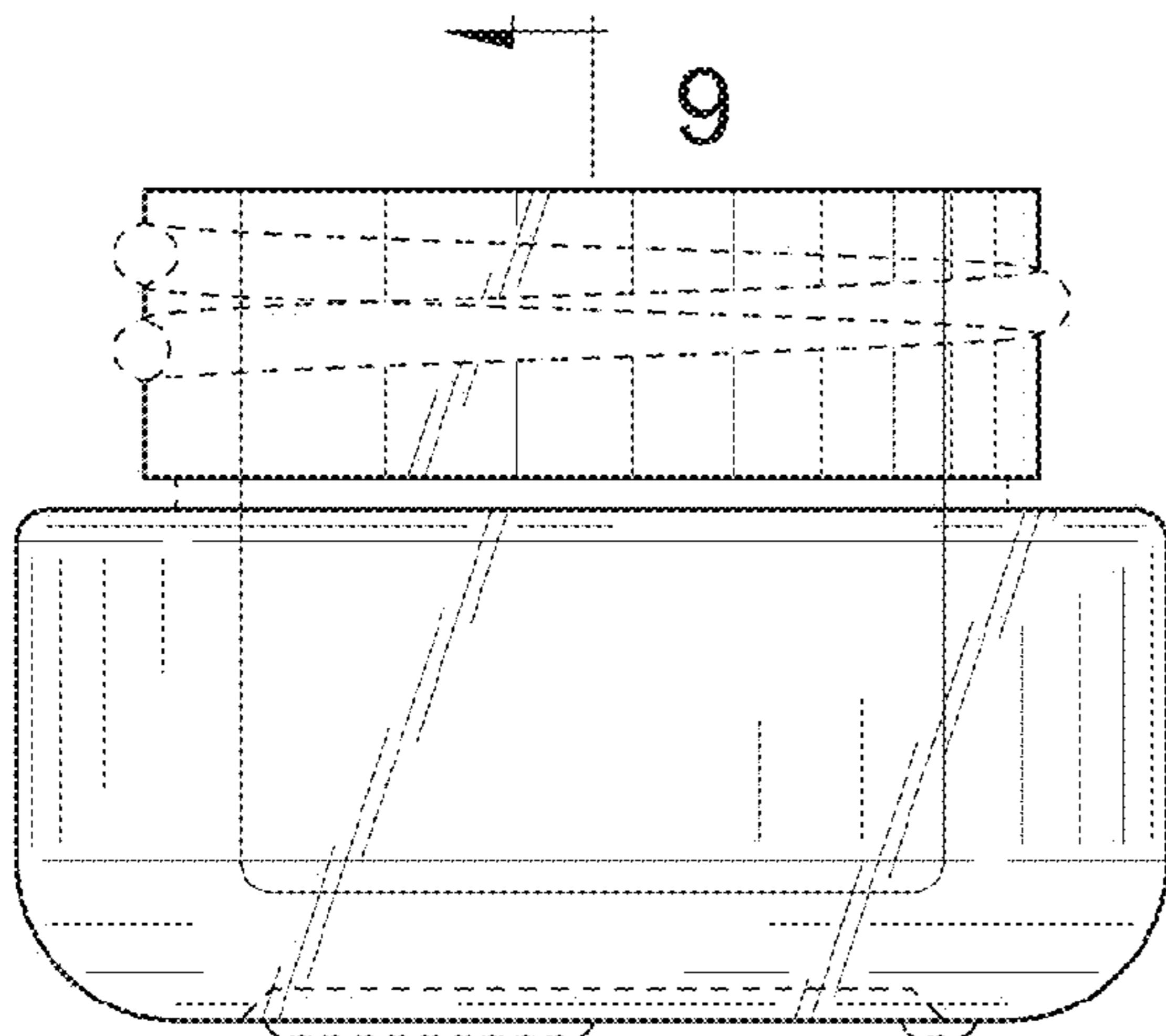


FIG. 3

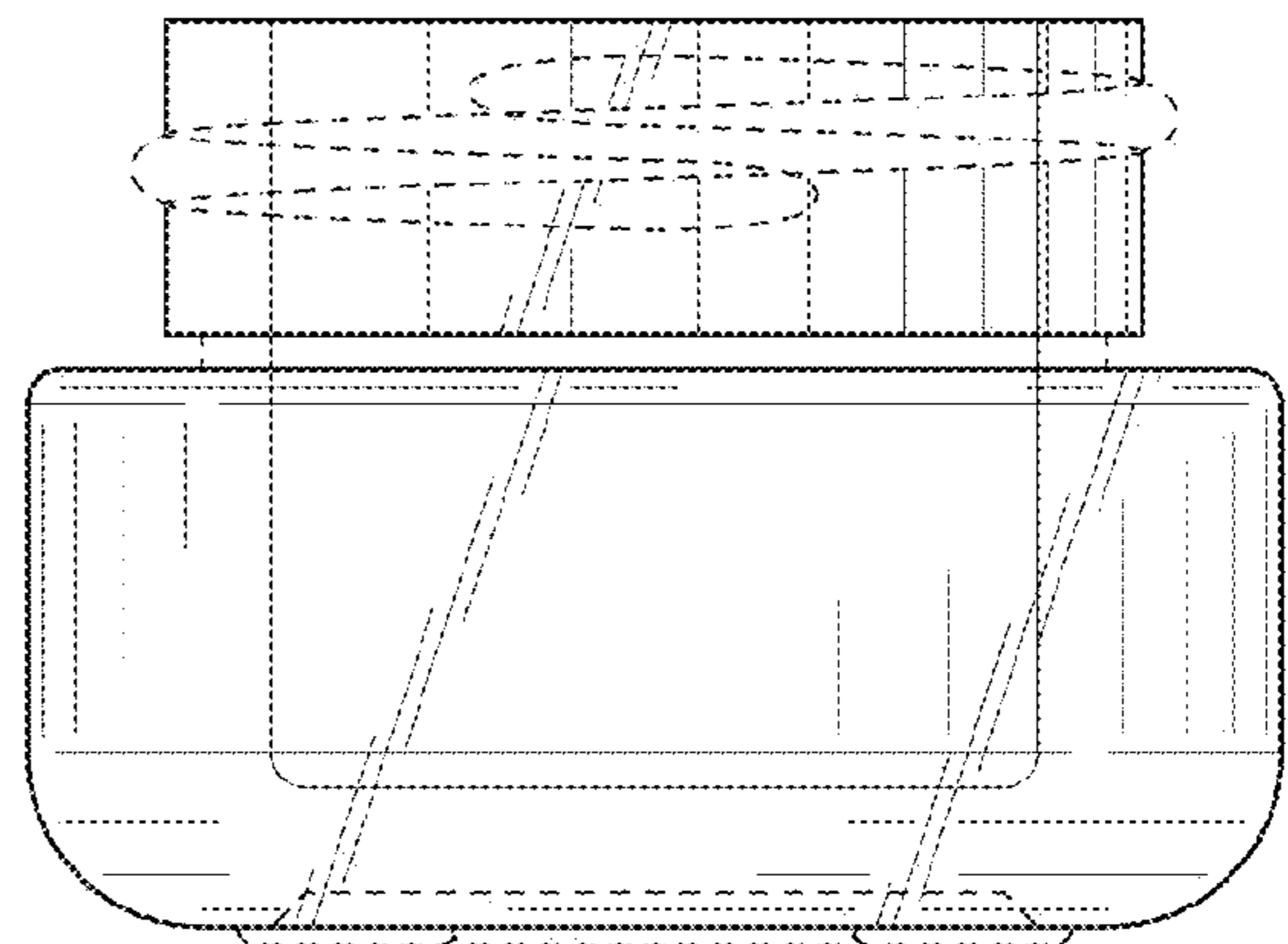


FIG. 4

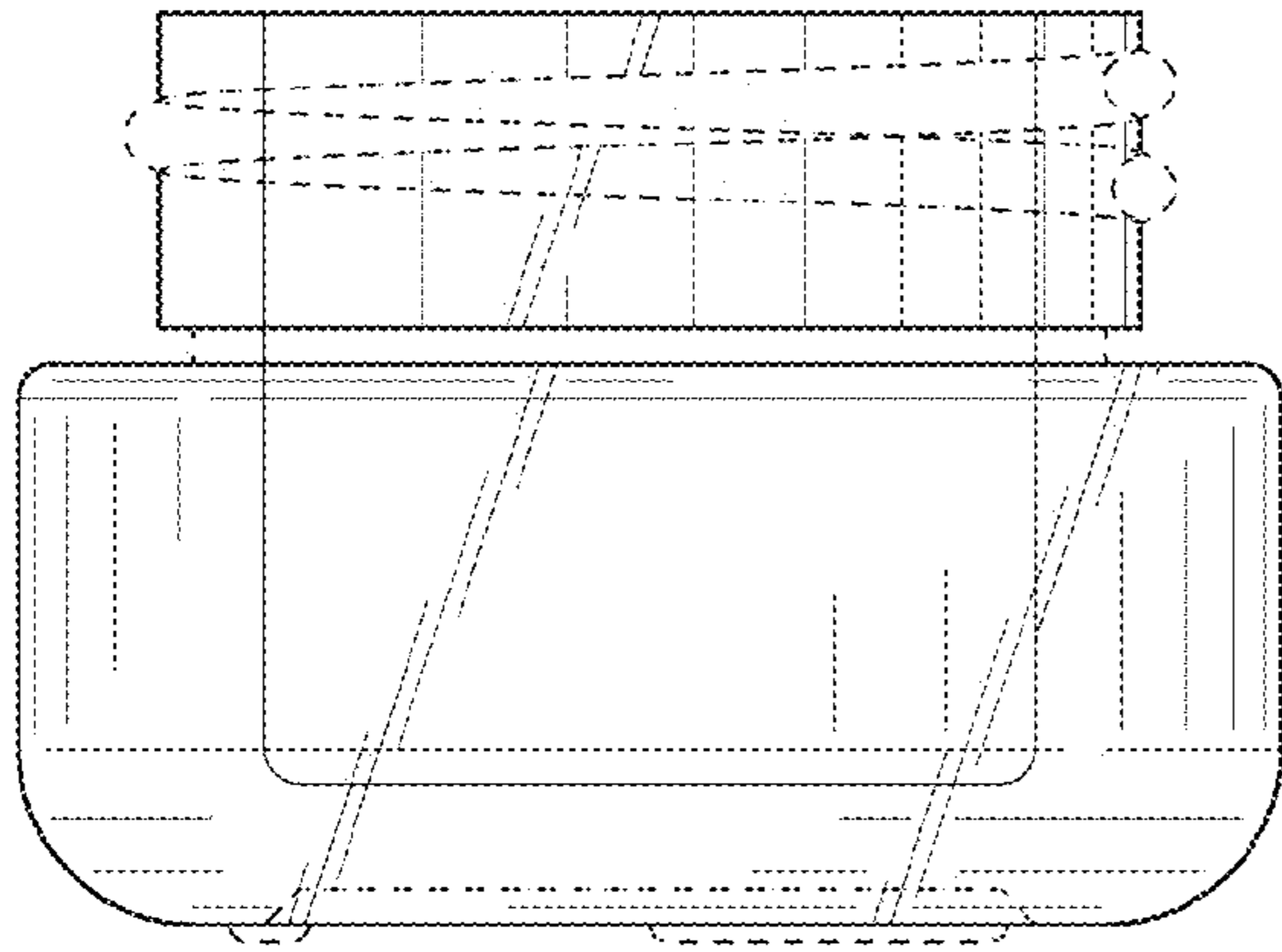


FIG. 5

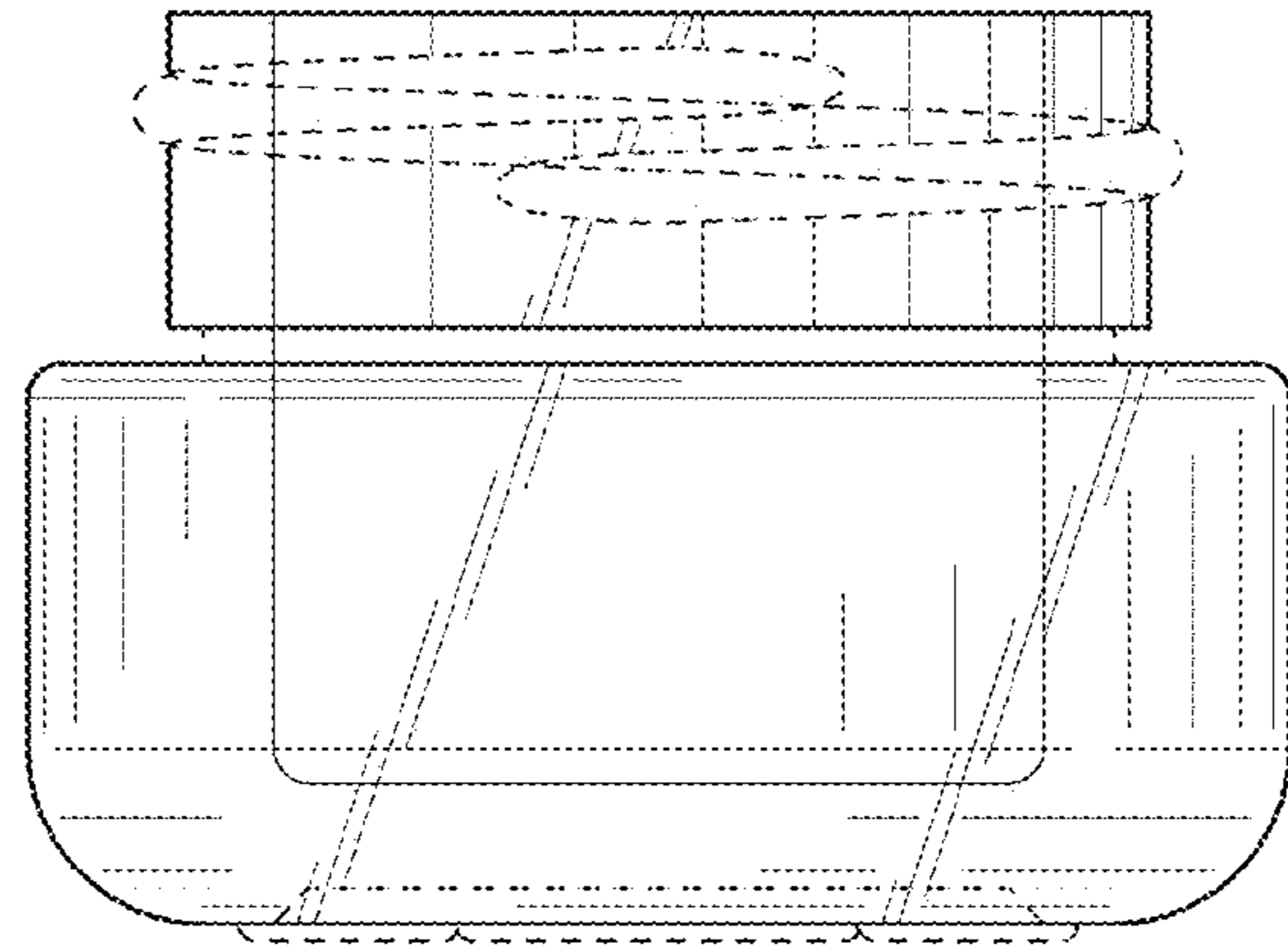


FIG. 6

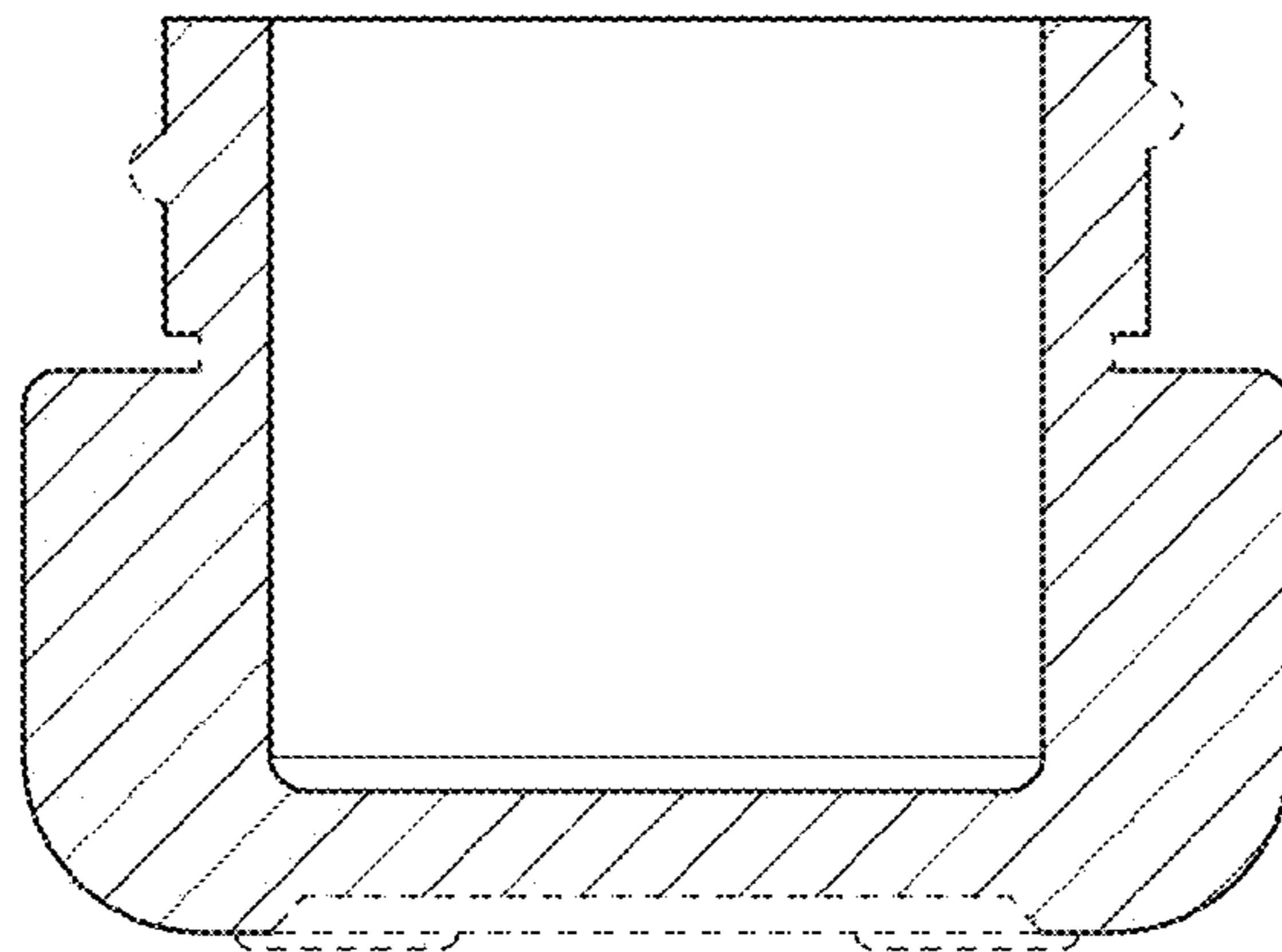


FIG. 9

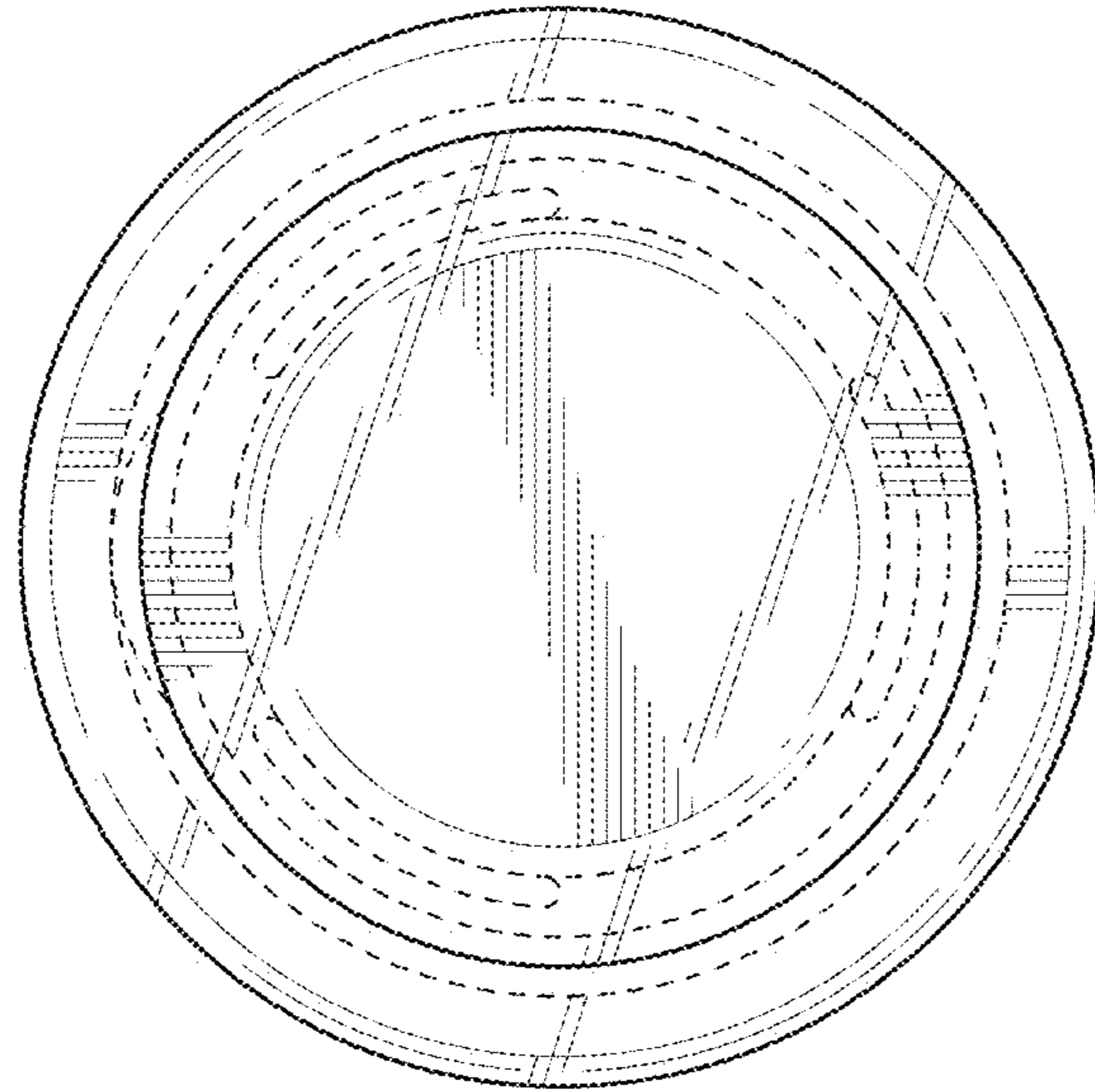


FIG. 7

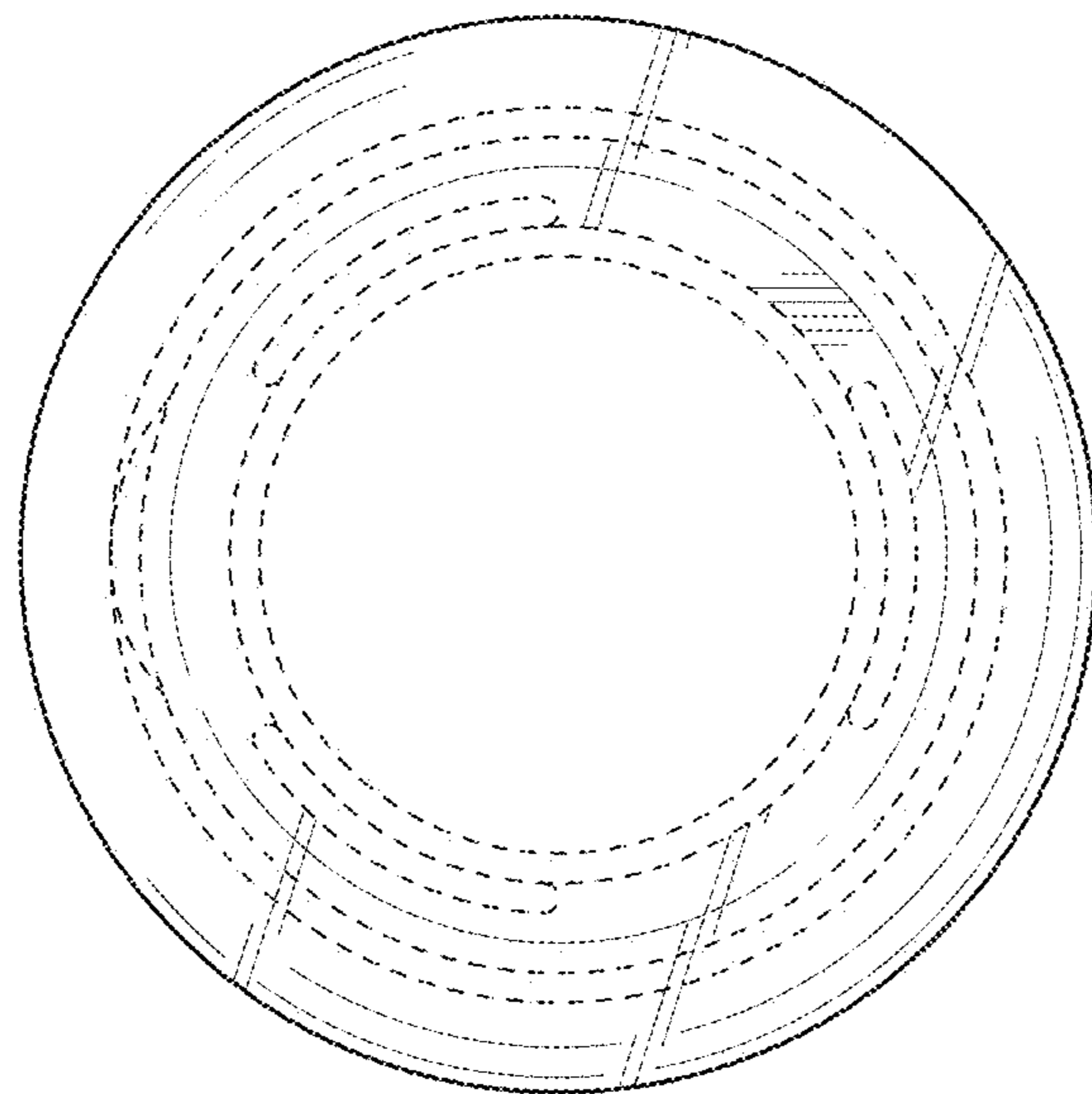


FIG. 8

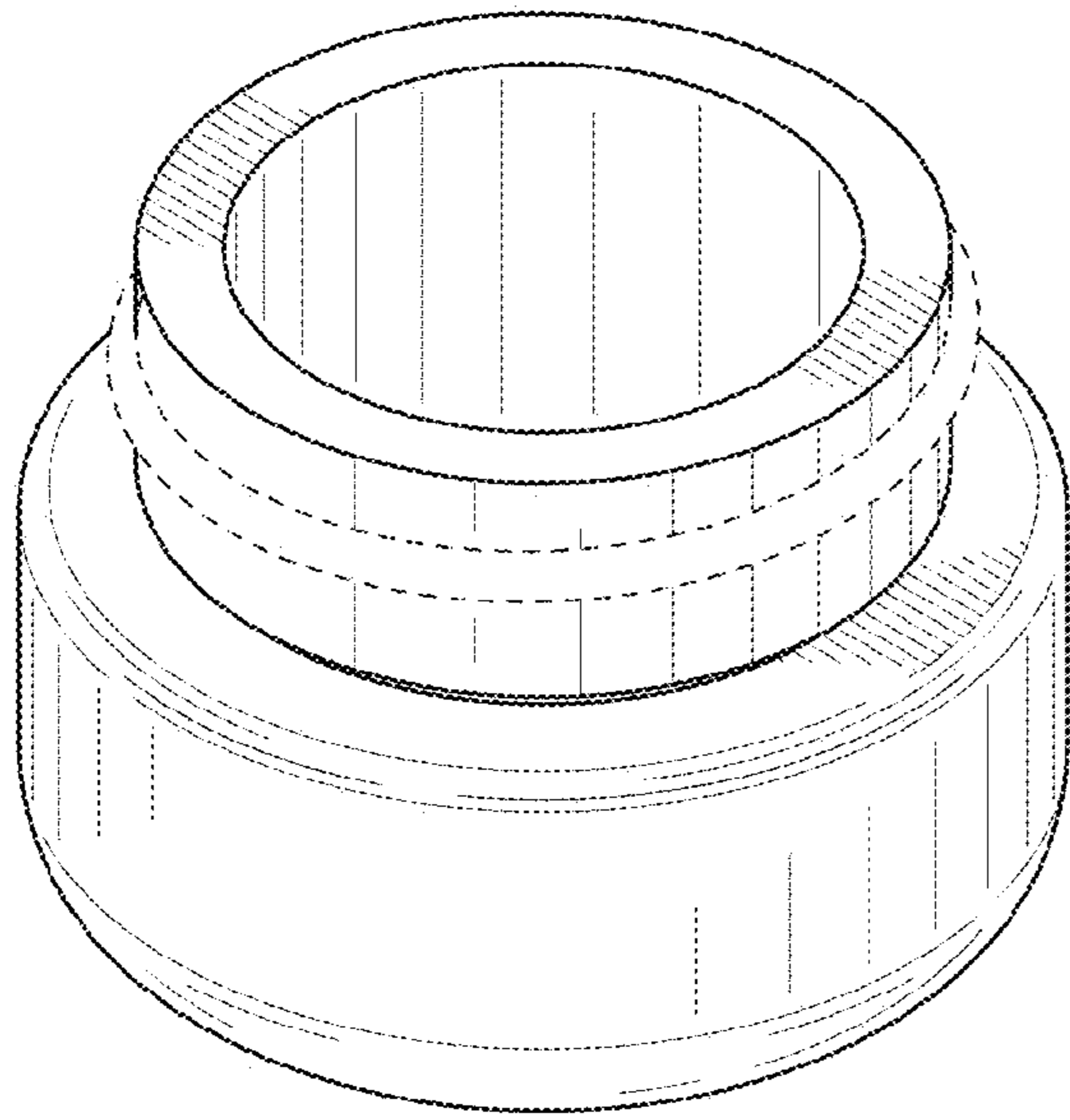


FIG. 10

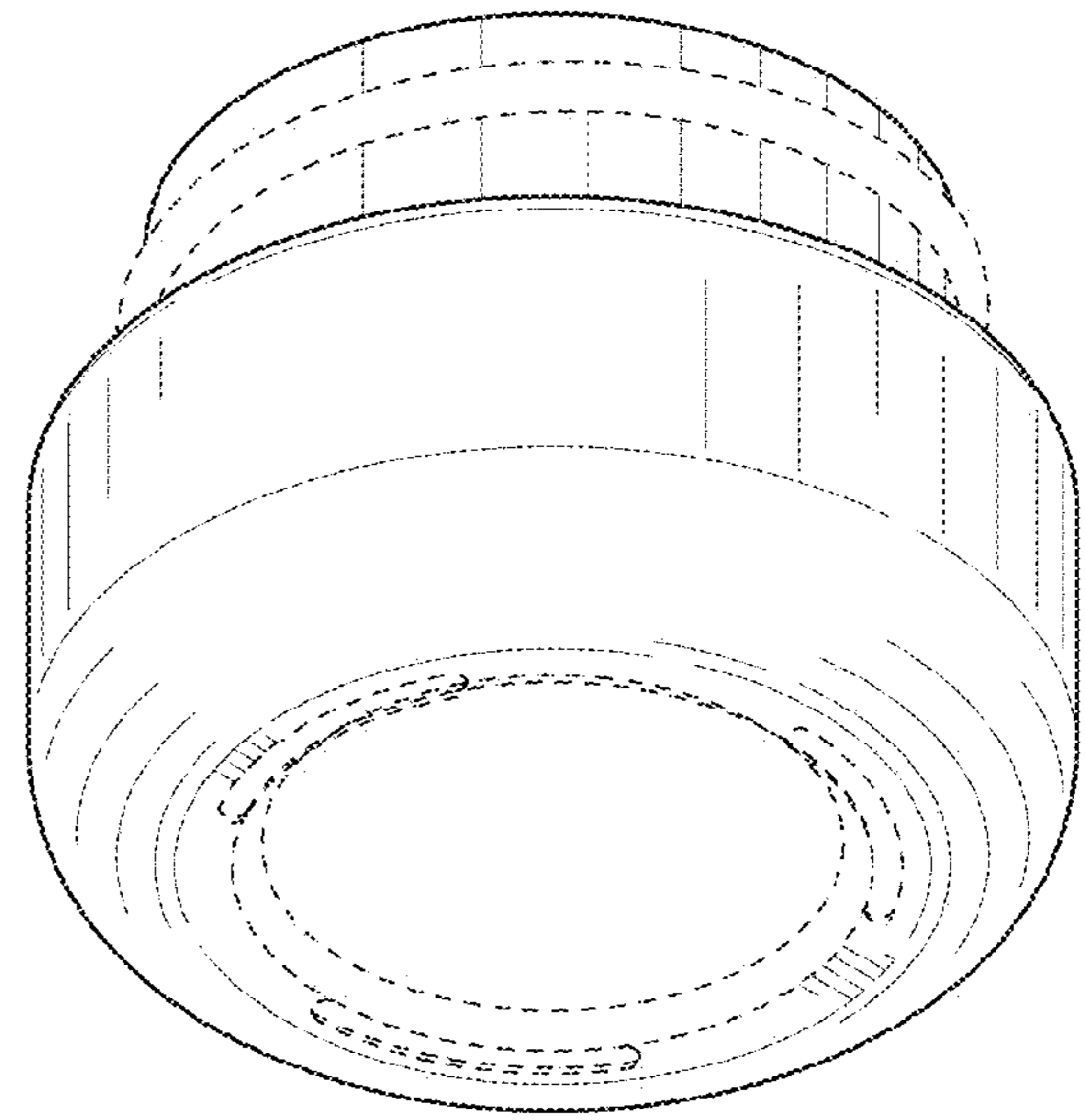
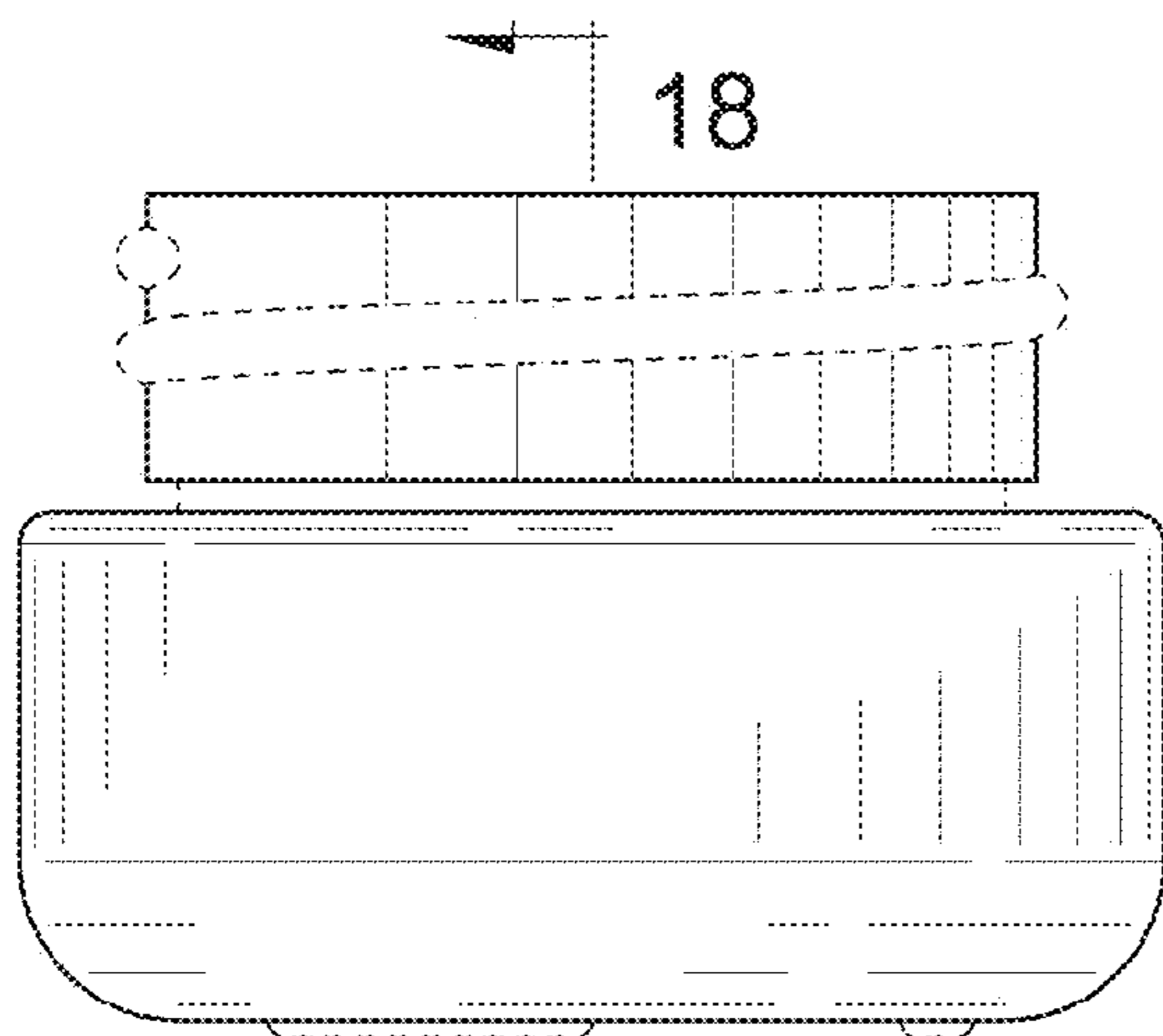


FIG. 11



18 FIG. 12

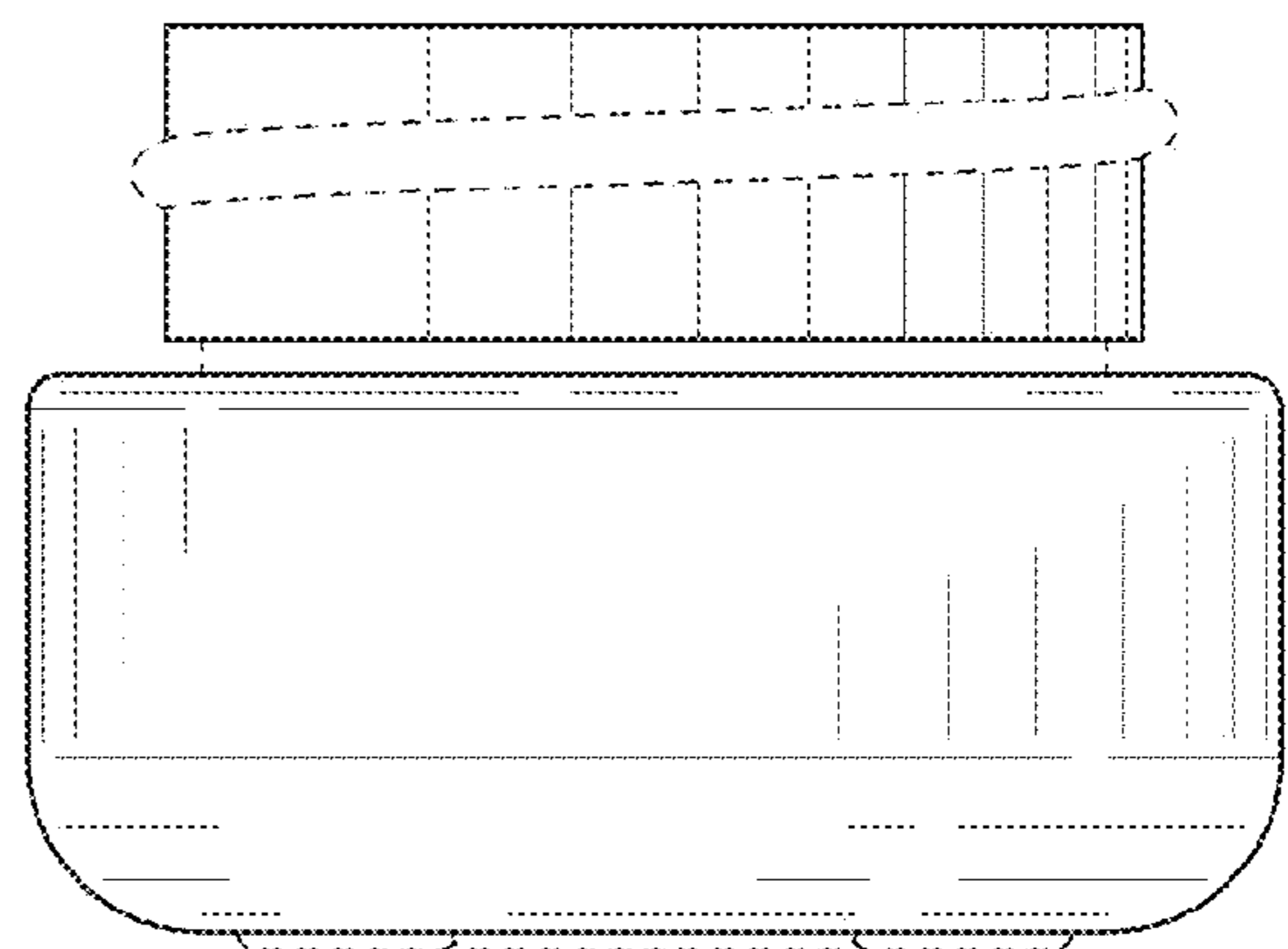


FIG. 13

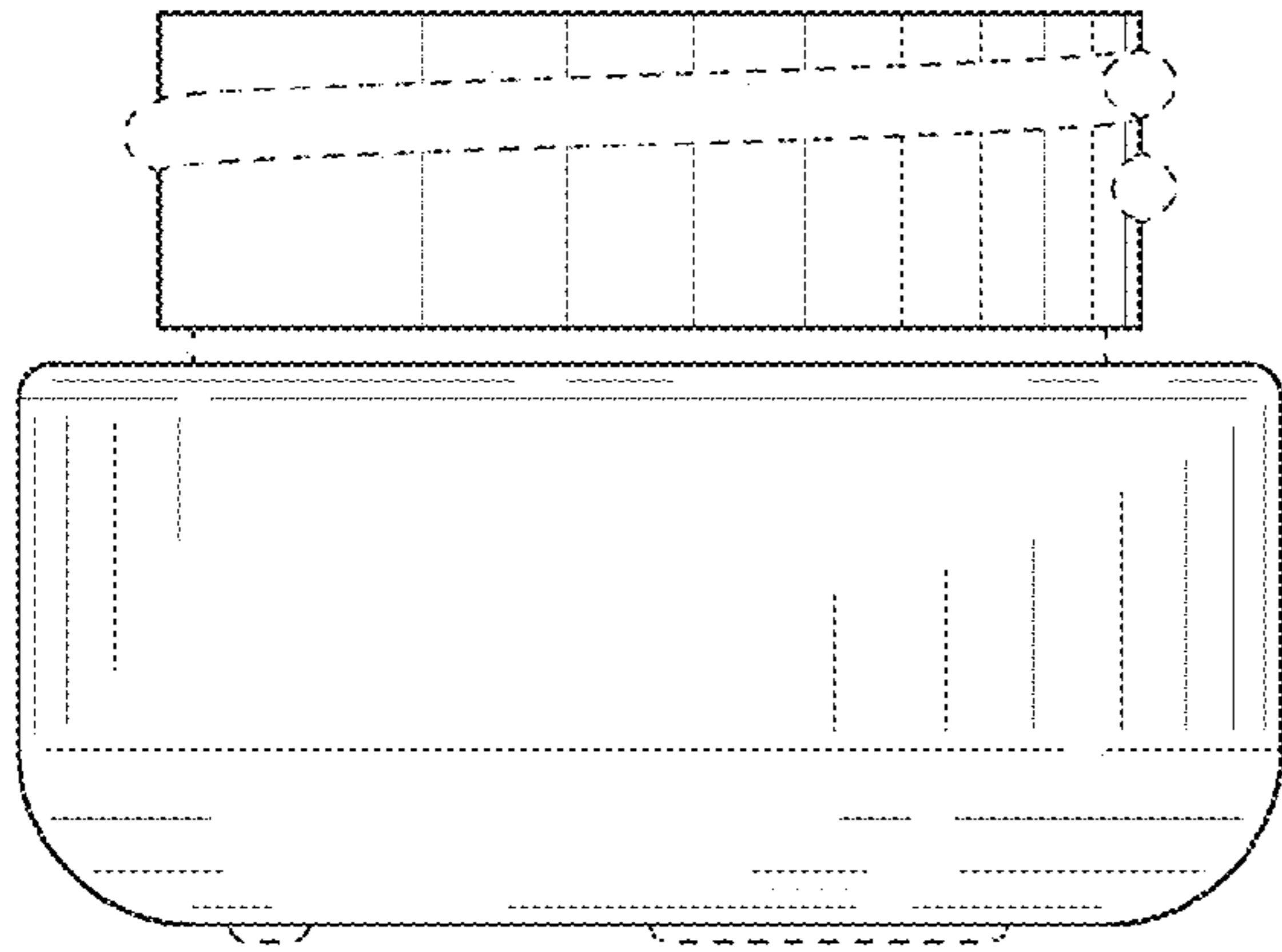


FIG. 14

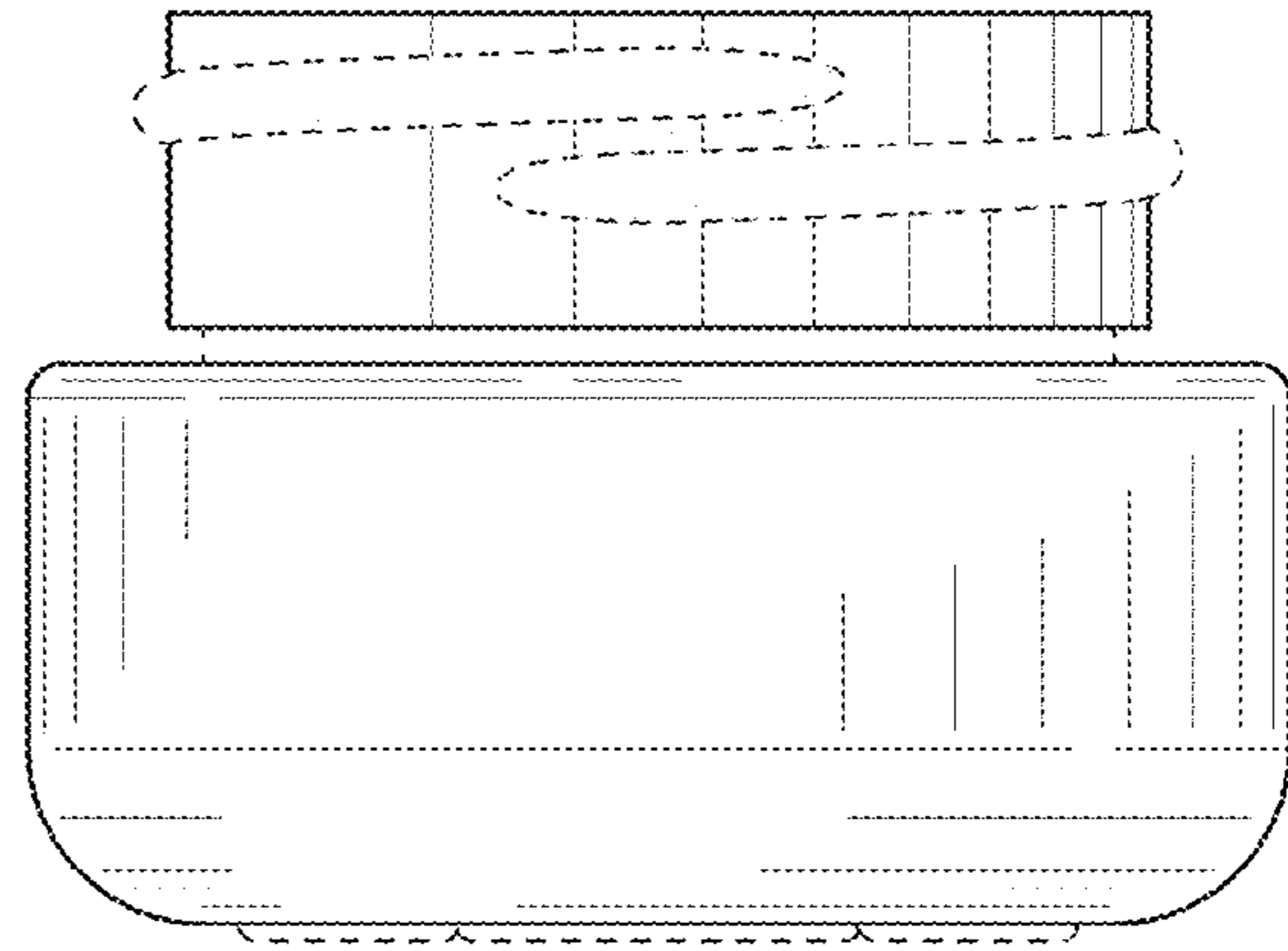


FIG. 15

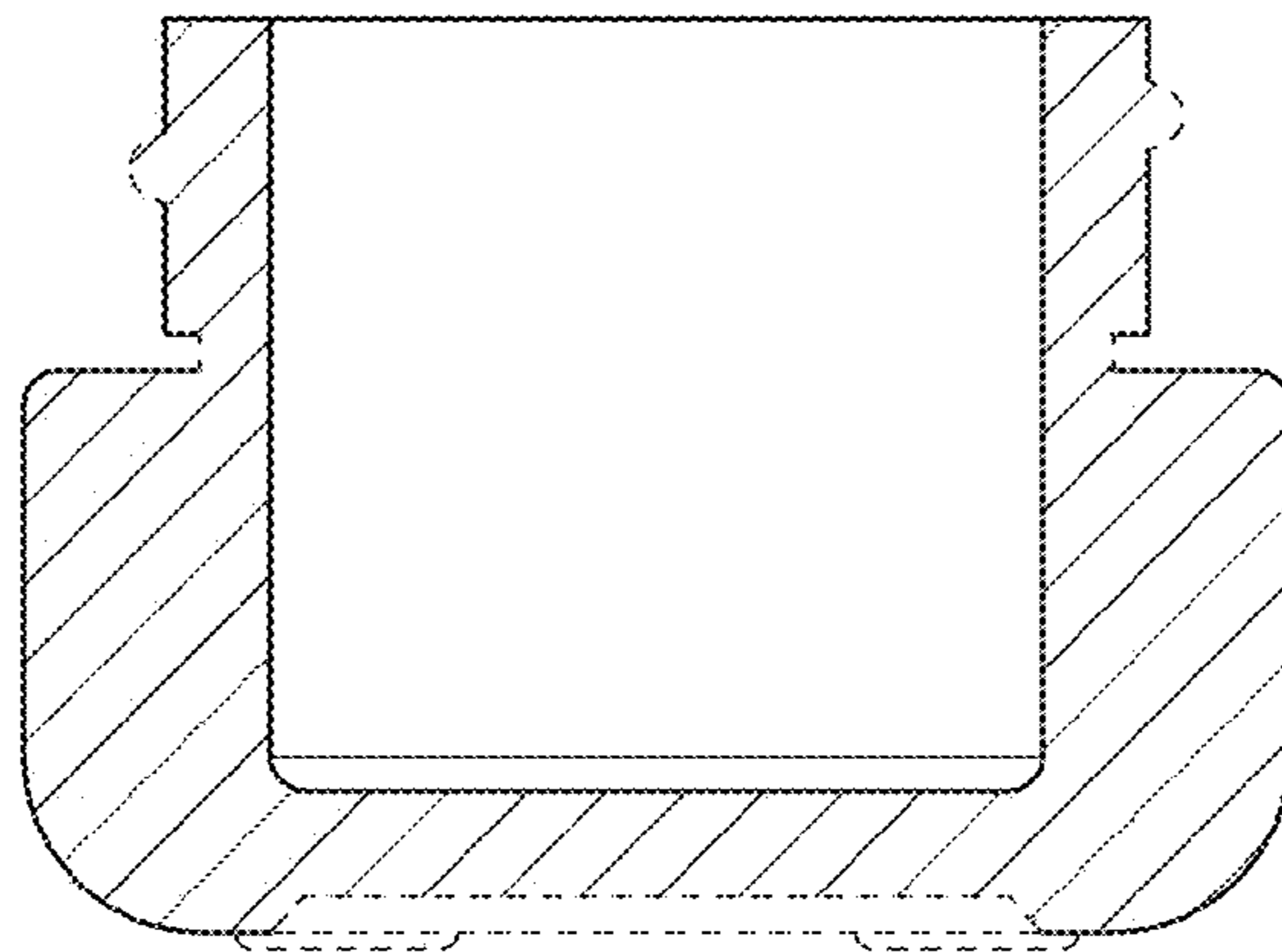


FIG. 18

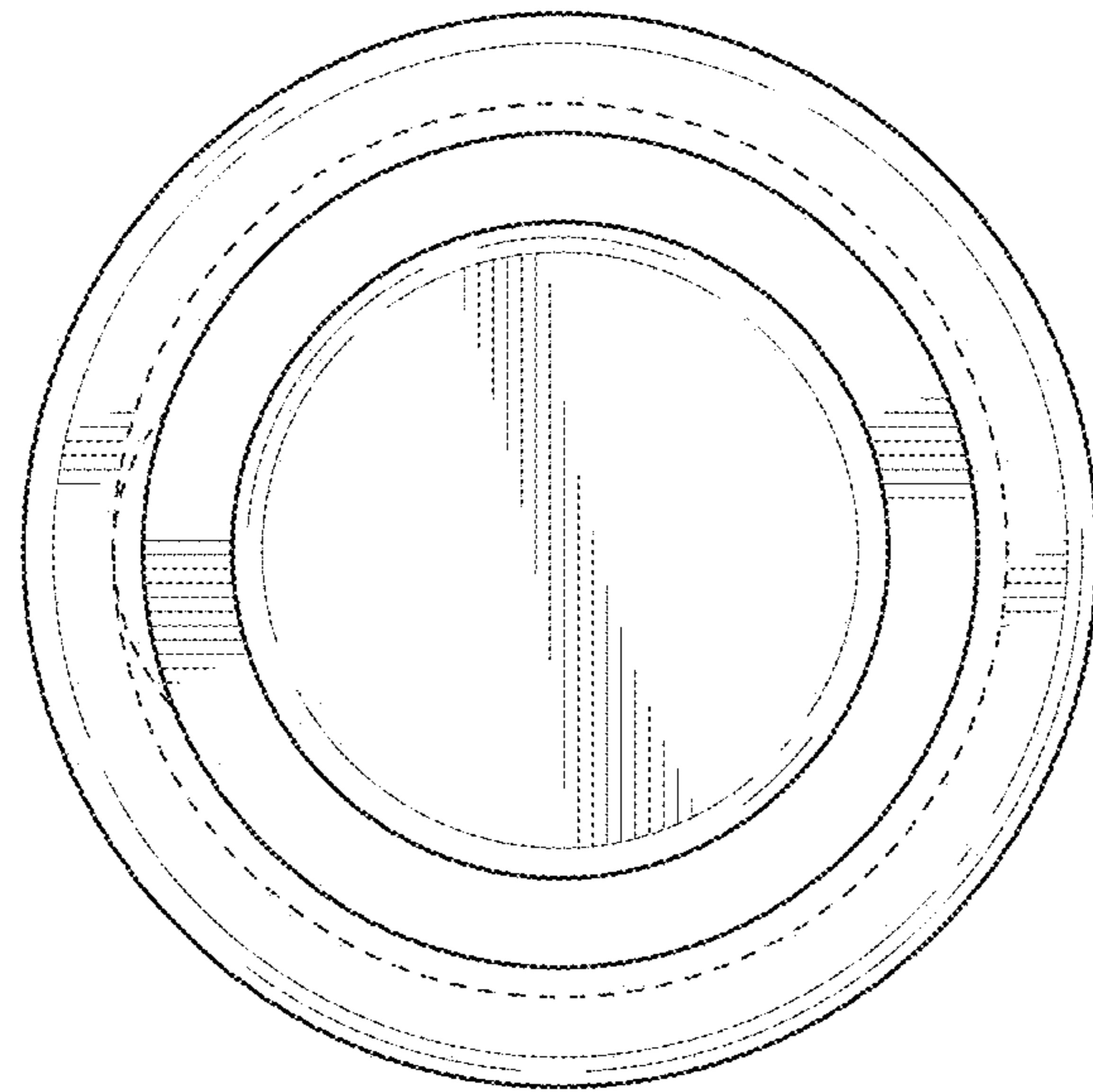


FIG. 16

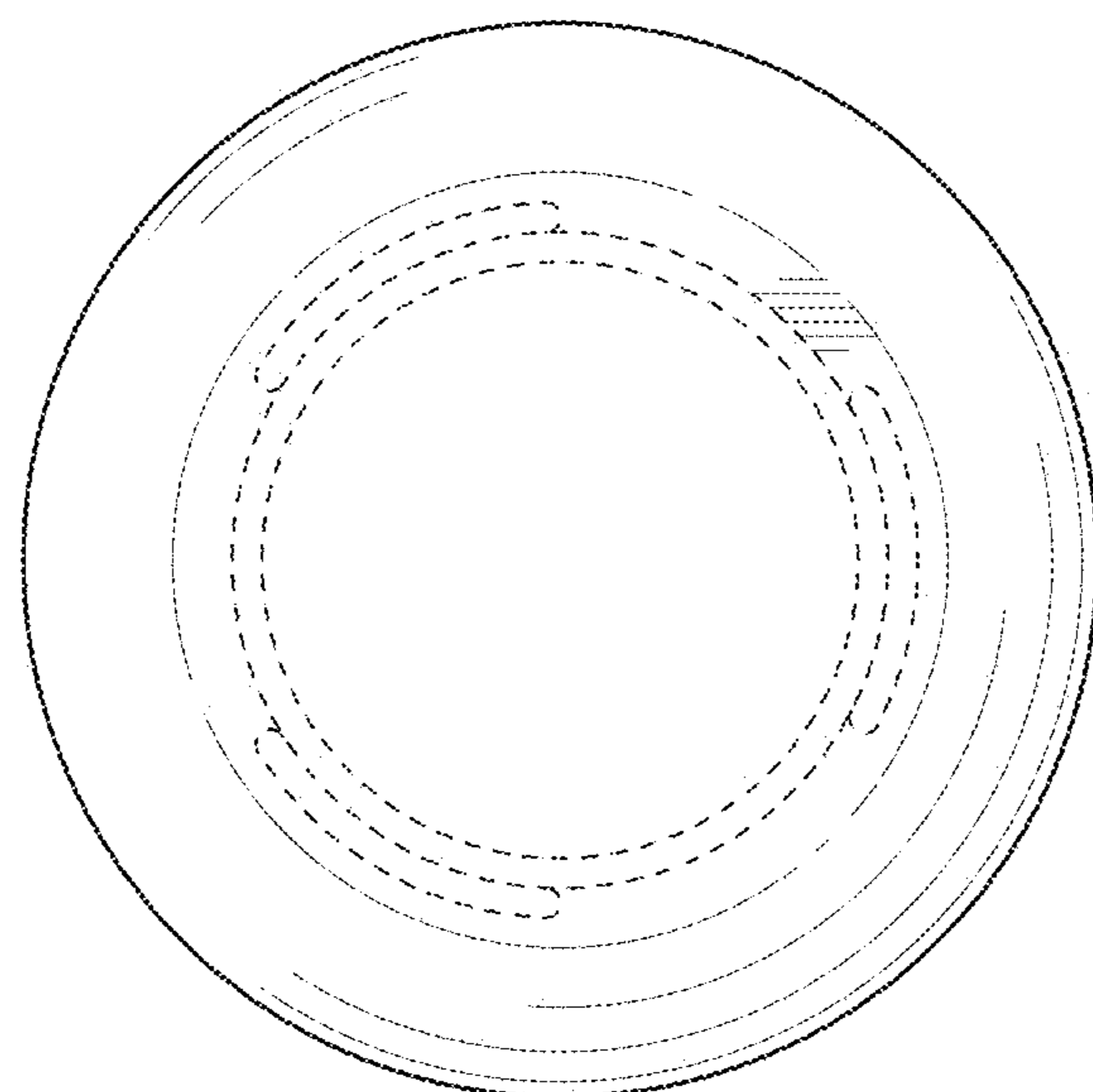


FIG. 17