



US00D914499S

(12) **United States Design Patent** (10) **Patent No.:** **US D914,499 S**
Wintroub et al. (45) **Date of Patent:** **** Mar. 30, 2021**

(54) **RECEPTACLE FOR A DISPENSER**

(71) Applicant: **Modafino, LLC**, Lincoln, NE (US)

(72) Inventors: **David Wintroub**, Omaha, NE (US);
Thomas Ortiz, Lincoln, NE (US);
David Murphy, Lincoln, NE (US)

(73) Assignee: **Modafino, LLC**, Lincoln, NE (US)

(**) Term: **15 Years**

(21) Appl. No.: **29/664,307**

(22) Filed: **Sep. 24, 2018**

(51) **LOC (13) Cl.** **09-07**

(52) **U.S. Cl.**
USPC **D9/455**; D9/435; D9/454; D7/399;
D7/400; D7/534; D6/542

(58) **Field of Classification Search**
USPC D7/399, 400, 534; D9/502, 434, 455,
D9/435, 454, 504, 391–392.1; D6/542,
D6/543; D24/197
CPC B65D 25/20
See application file for complete search history.

(56) **References Cited**

U.S. PATENT DOCUMENTS

2,614,406	A	*	10/1952	Carpenter	B65D 25/20 220/718
D191,214	S	*	8/1961	Fisher	D7/534
D258,796	S	*	4/1981	Paulides	D7/513
D264,115	S	*	4/1982	Murphy	D21/790
D306,387	S	*	3/1990	Junkman	D7/534
4,917,252	A	*	4/1990	Chambers	A61J 9/00 215/11.1
D327,196	S	*	6/1992	Crook	D6/549
D341,206	S	*	11/1993	Tsuji	D24/197
D348,588	S	*	7/1994	Yasunaga	D7/510

D352,201	S	*	11/1994	Spence, Jr.	D24/197
D388,707	S	*	1/1998	de LaForcade	D9/448
D474,647	S	*	5/2003	Reinius	D7/510
D569,724	S	*	5/2008	Bloc	D9/448
D746,109	S	*	12/2015	Wilson	D7/534
D828,113	S	*	9/2018	Fleischhut	D7/608
D848,844	S	*	5/2019	Byron	D9/454
D860,794	S	*	9/2019	Augustyniak	D9/504

* cited by examiner

Primary Examiner — Marianne N Pandozzi

(74) *Attorney, Agent, or Firm* — Mallory M. Henninger;
Advent, LLP

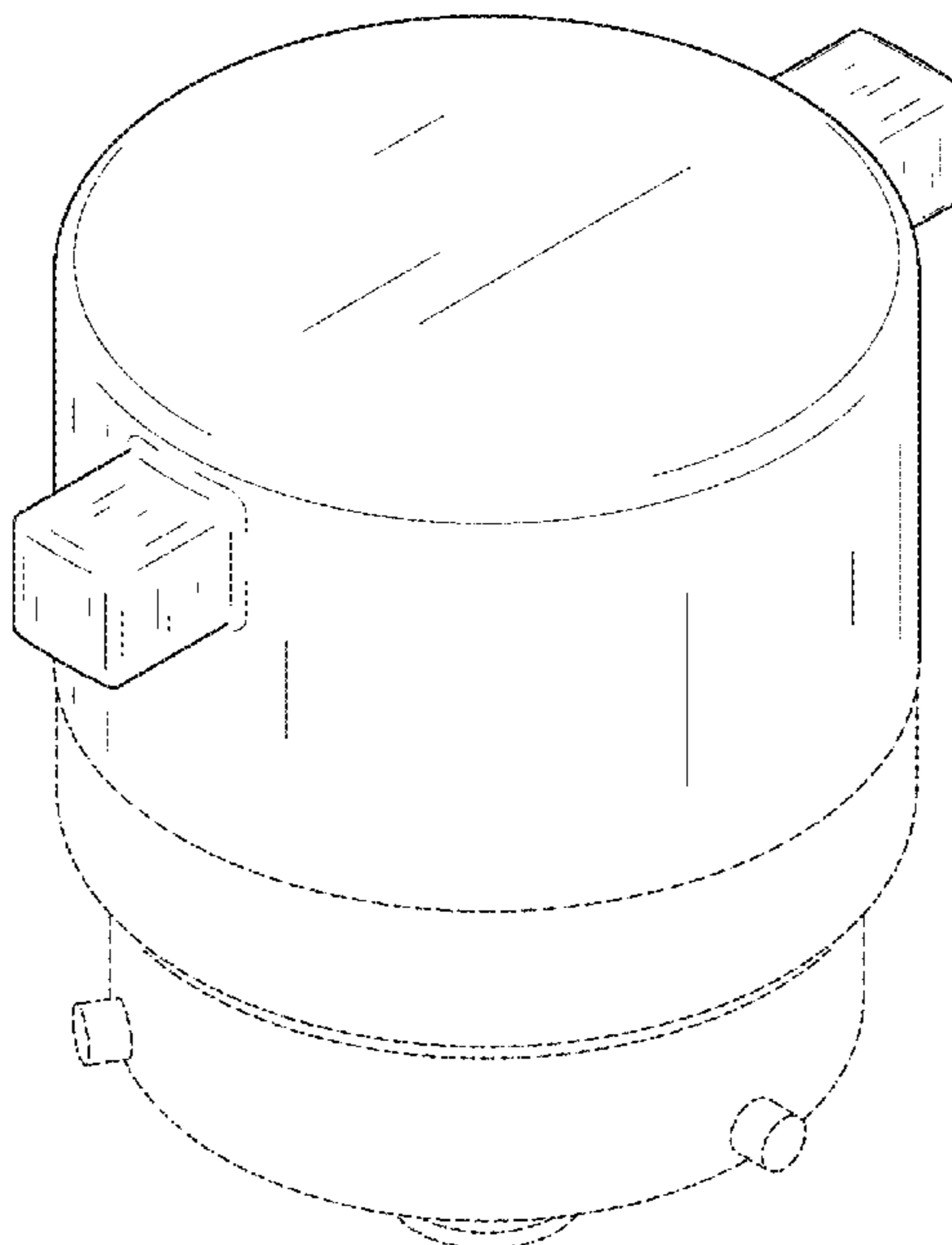
(57) **CLAIM**

The ornamental design for a receptacle for a dispenser, as shown and described.

DESCRIPTION

FIG. 1 is a top plan view of a receptacle for a dispenser. FIG. 2 is a bottom view of the receptacle for a dispenser of FIG. 1. FIG. 3 is a front elevation view of the receptacle for a dispenser of FIG. 1. FIG. 4 is a rear elevation view of the receptacle for a dispenser of FIG. 1. FIG. 5 is a left side elevation view of the receptacle for a dispenser of FIG. 1. FIG. 6 is a right side elevation view of the receptacle for a dispenser of FIG. 1. FIG. 7 is an isometric view of the receptacle for a dispenser of FIG. 1; and, FIG. 8 is another isometric view of the receptacle for a dispenser of FIG. 1. The broken lines in the drawing depict portions of the receptacle for a dispenser that form no part of the claimed design.

1 Claim, 8 Drawing Sheets



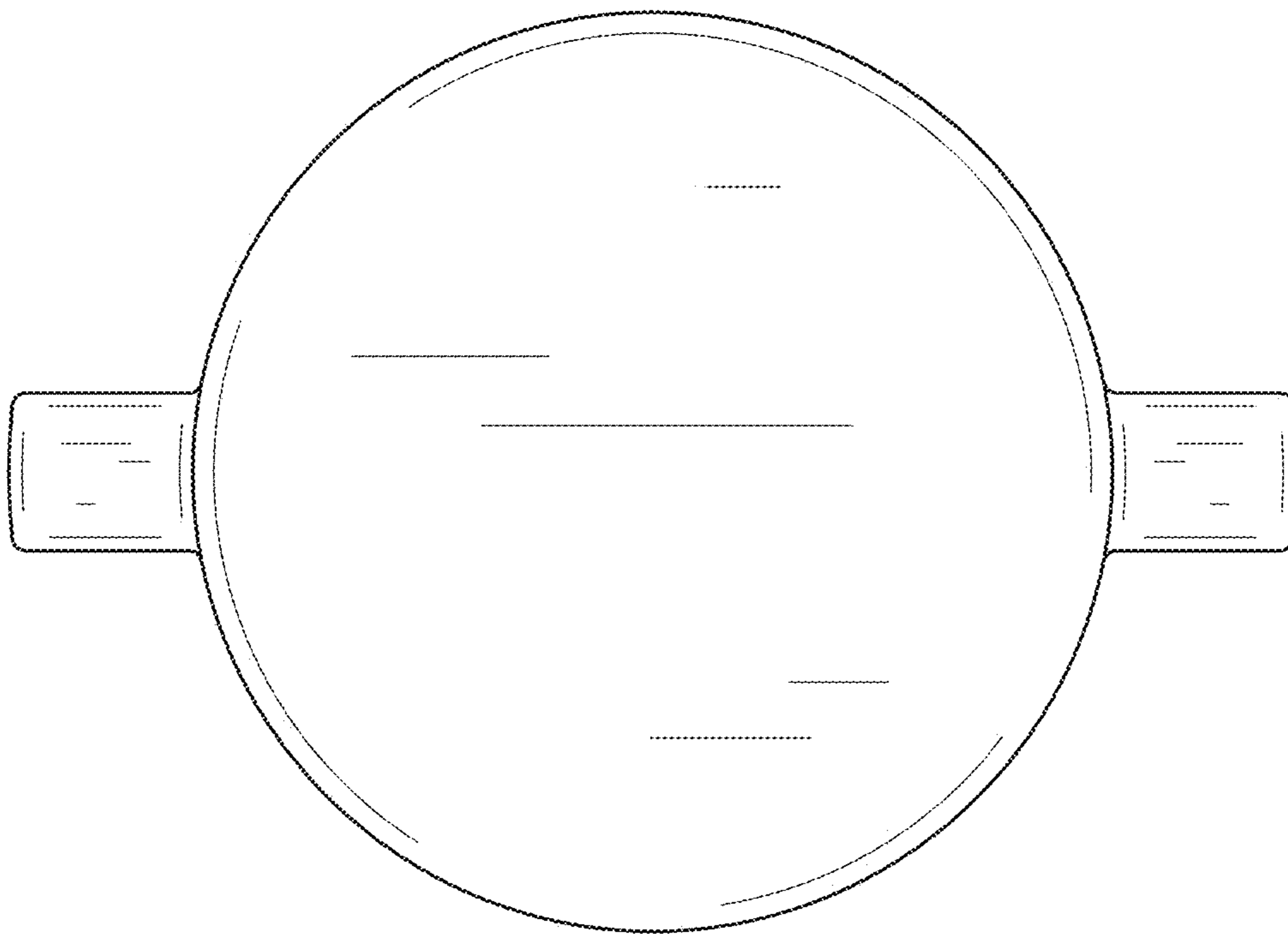


FIG. 1

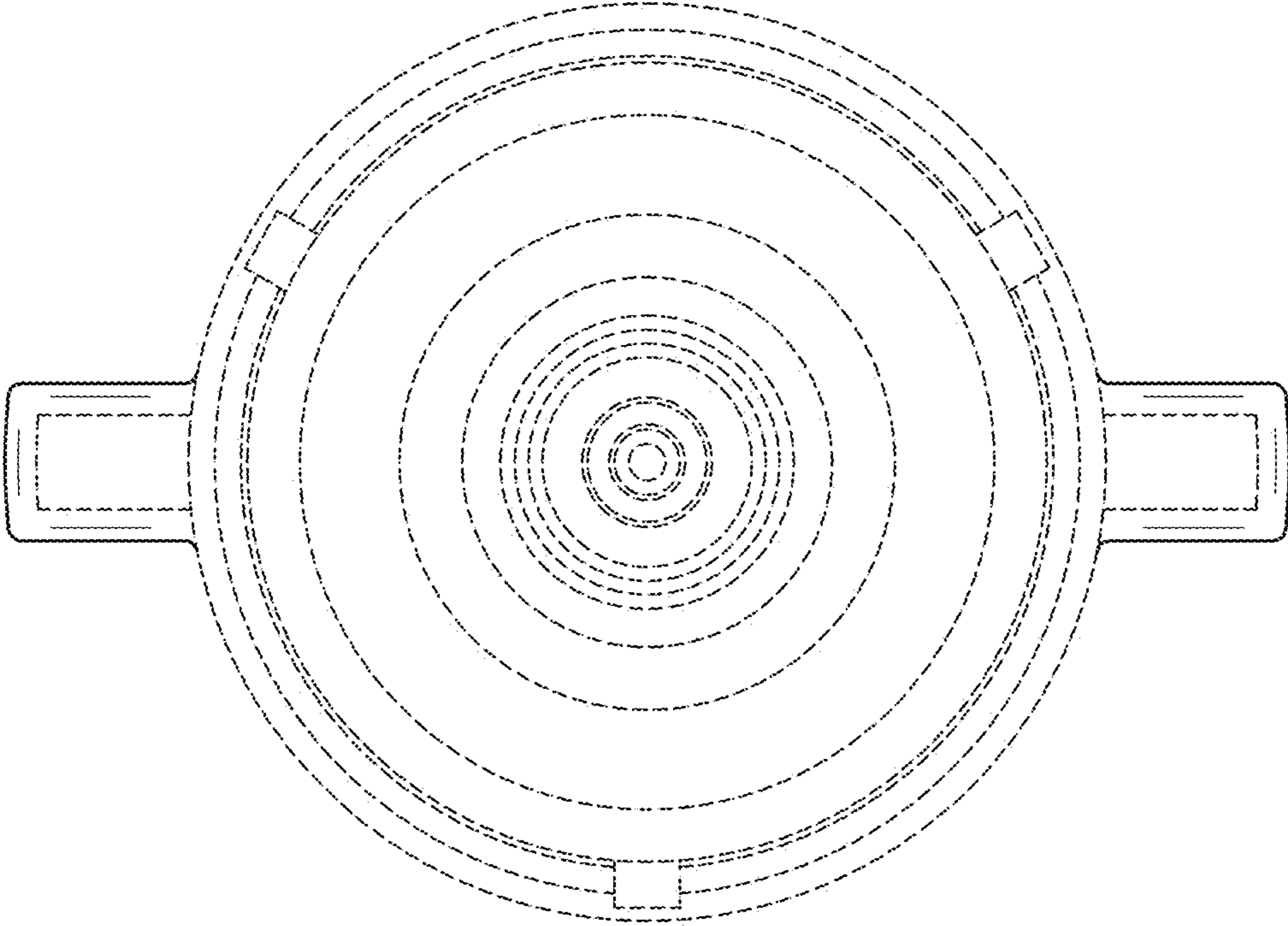


FIG. 2

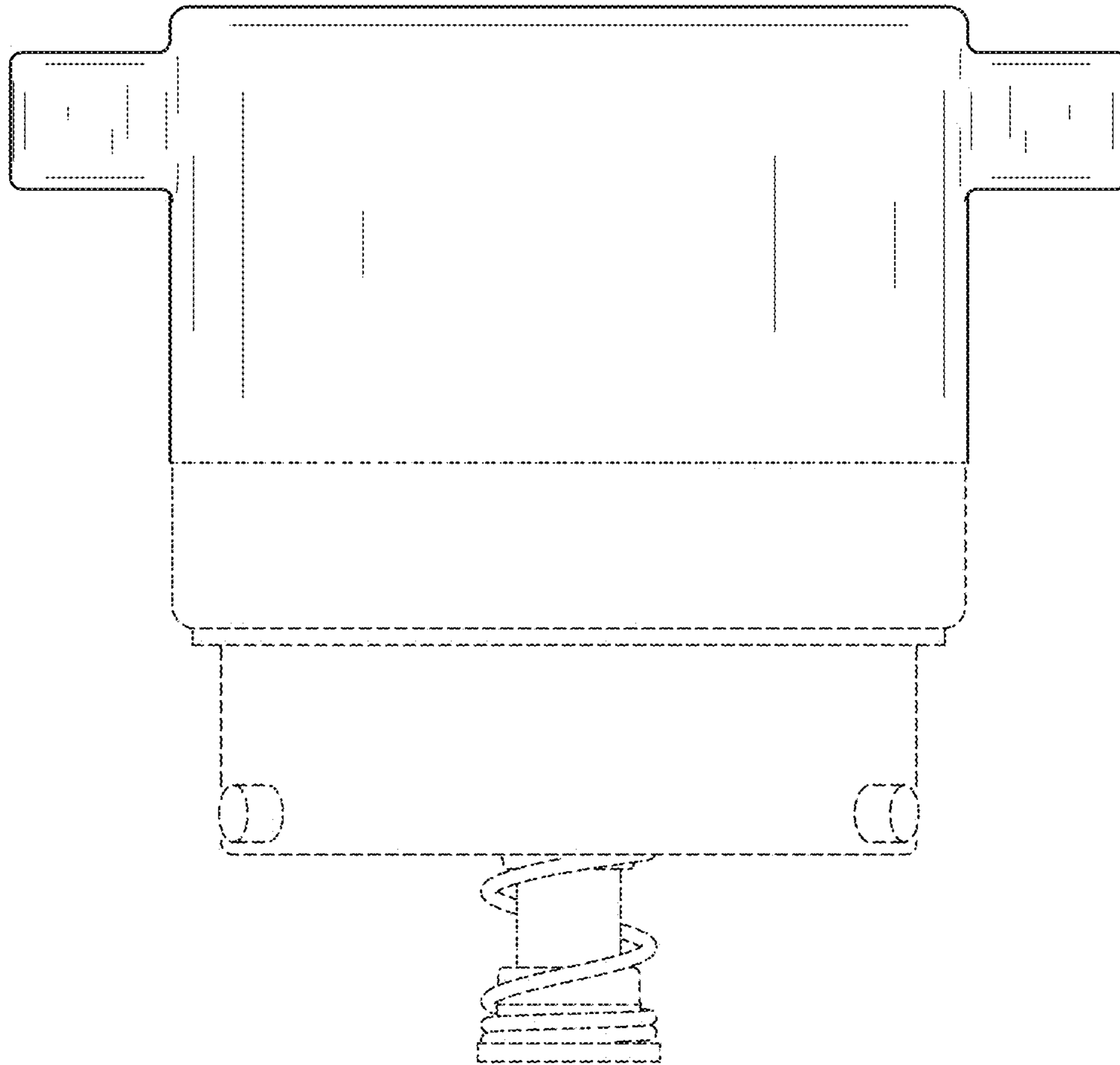


FIG. 3

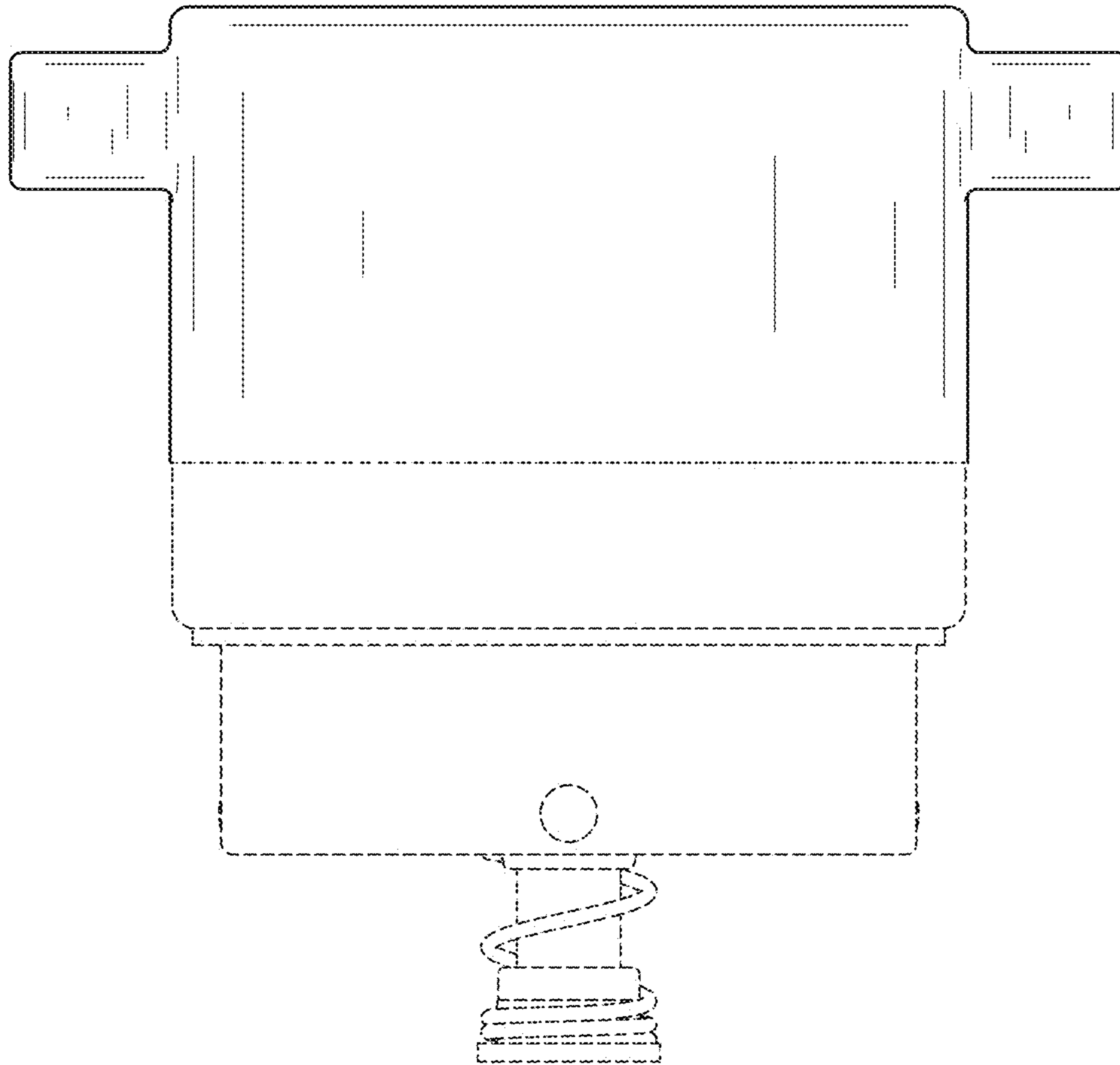


FIG. 4

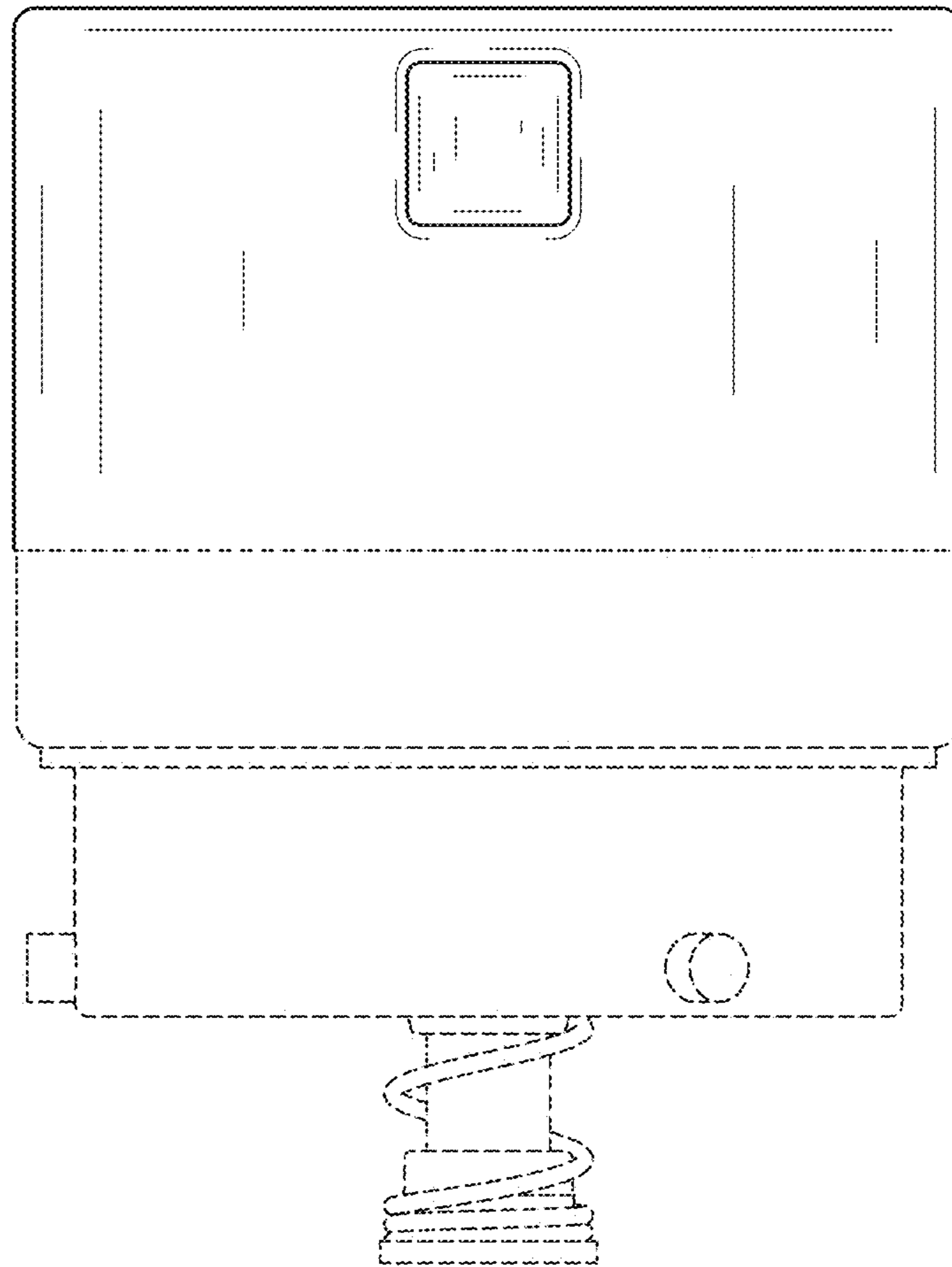


FIG. 5

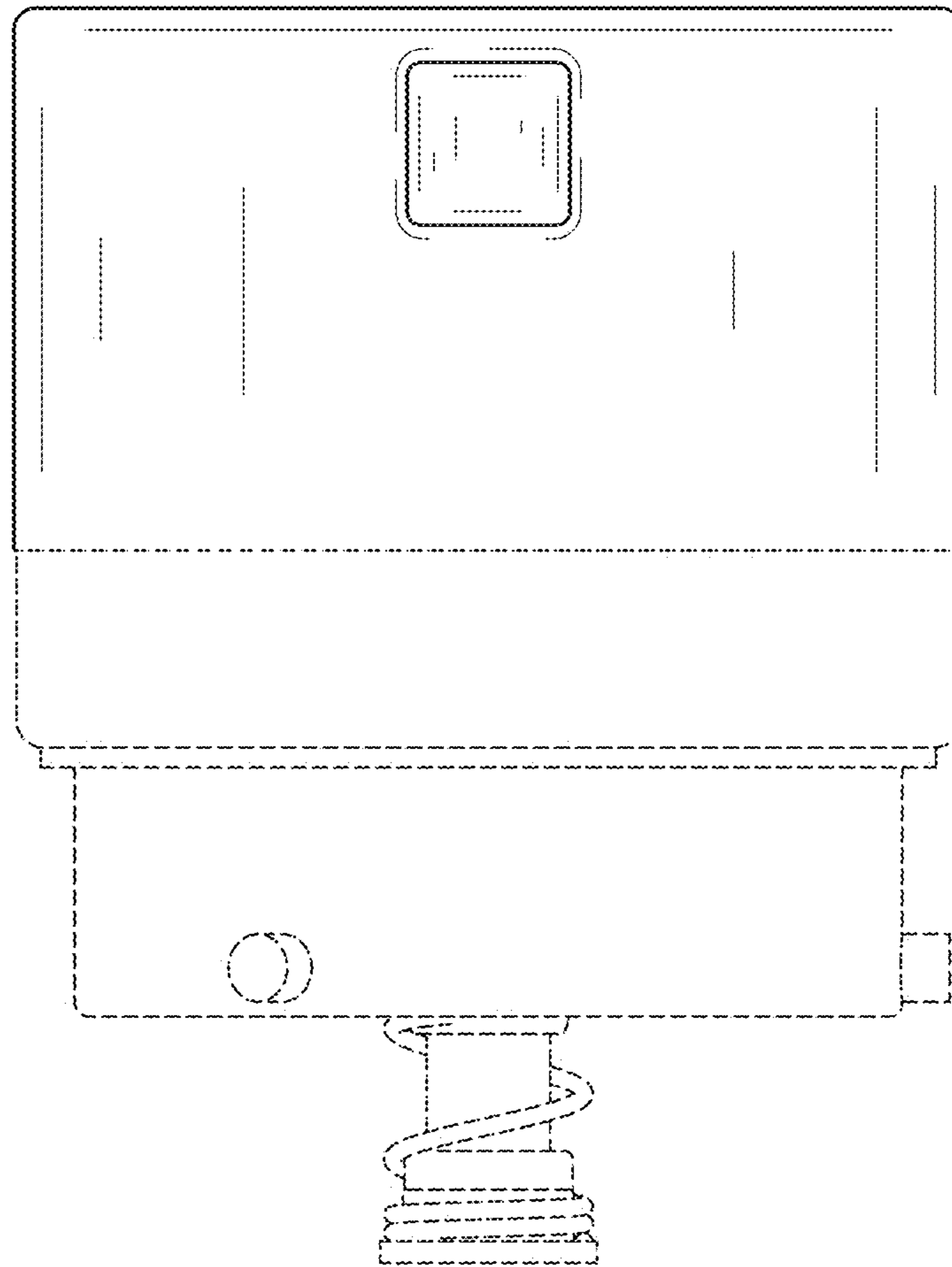


FIG. 6

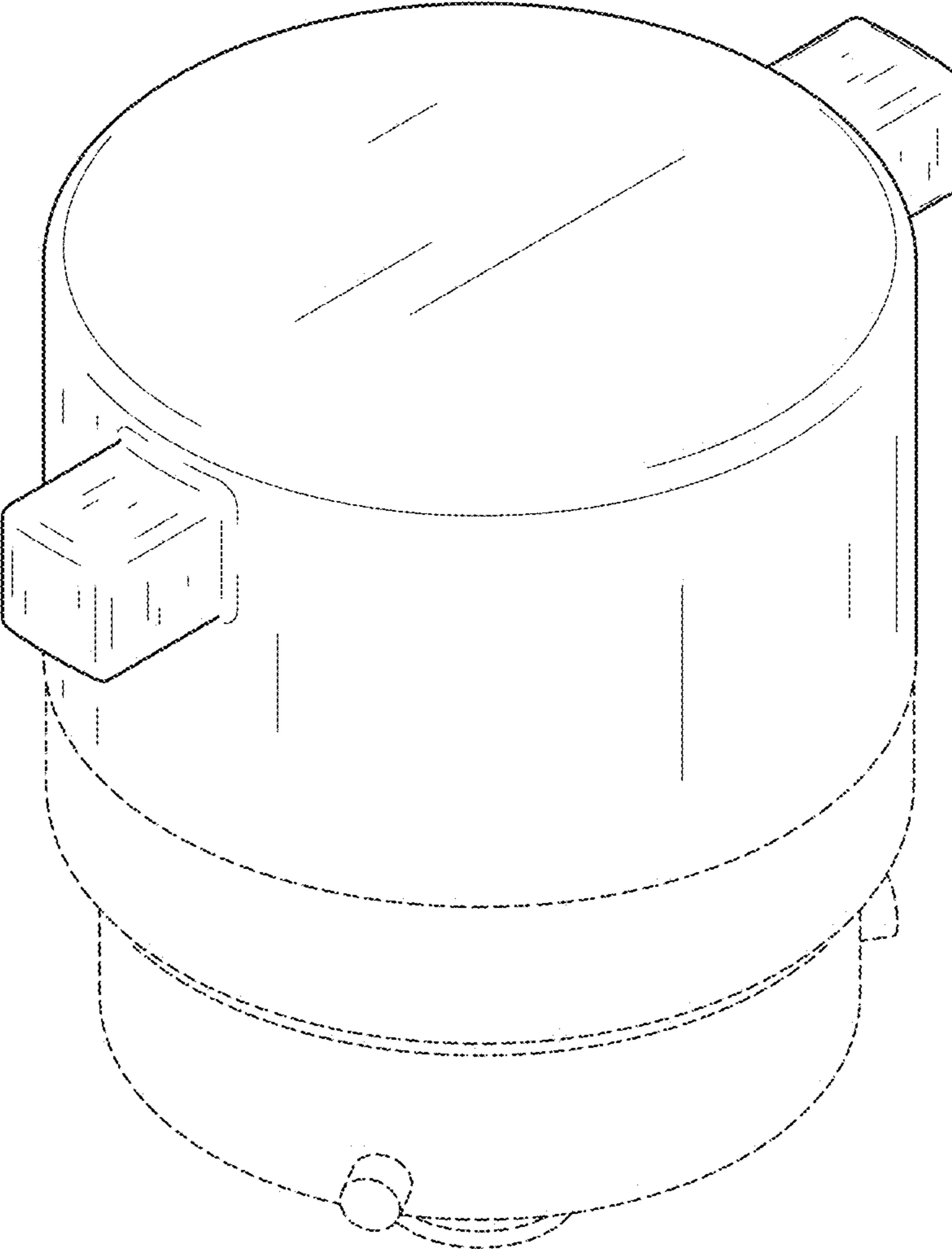


FIG. 7

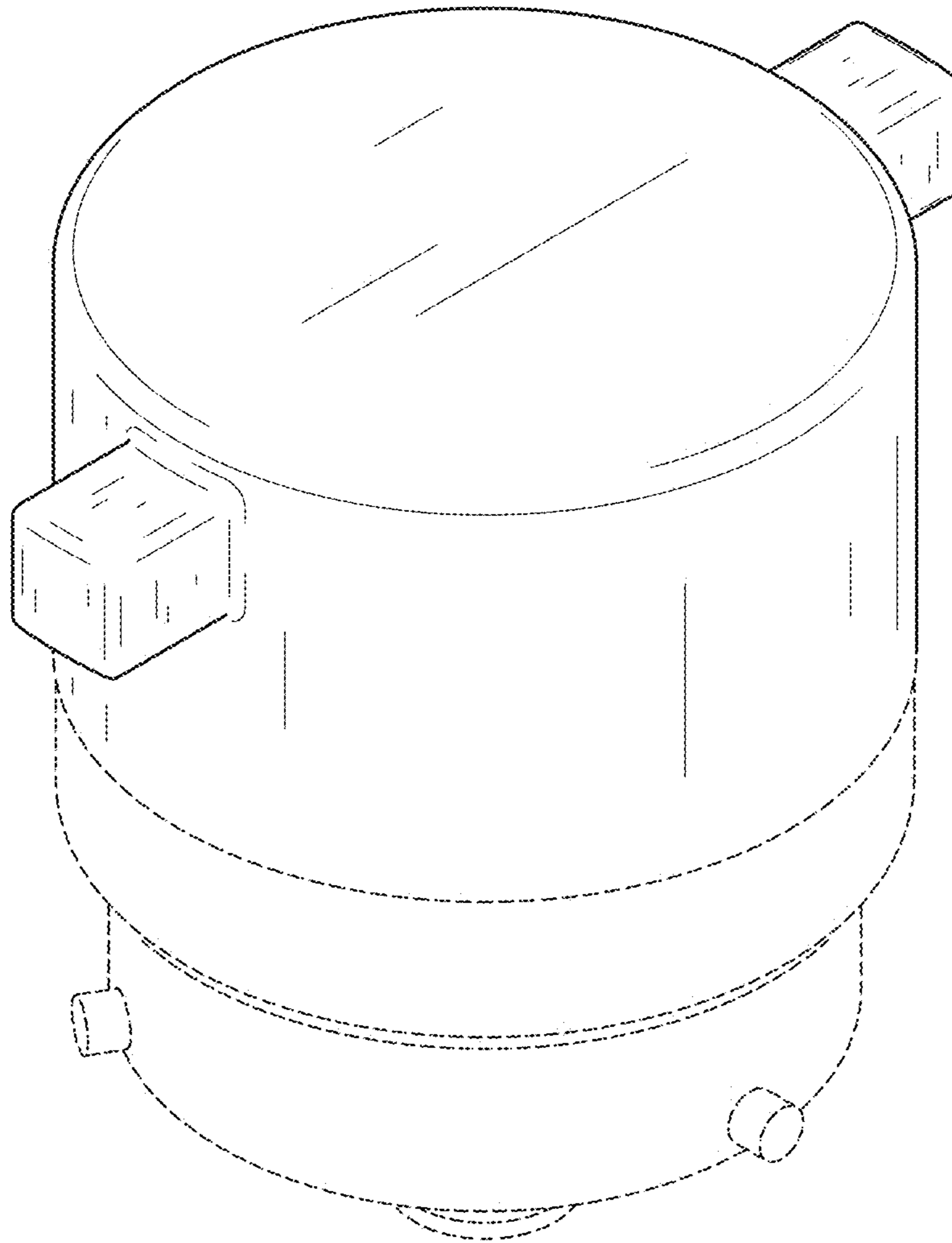


FIG. 8