



US00D914498S

(12) **United States Design Patent** (10) **Patent No.:** **US D914,498 S**
Palandri (45) **Date of Patent:** **** Mar. 30, 2021**

- (54) **CLOSURE FOR A CONTAINER NECK**
- (71) Applicant: **Obrist Closures Switzerland GmbH, Reinach (CH)**
- (72) Inventor: **Enrico Joseph Palandri, Libertyville, IL (US)**
- (73) Assignee: **OBRIST CLOSURES SWITZERLAND GMBH, Reinach (CH)**
- (**) Term: **15 Years**
- (21) Appl. No.: **29/706,289**
- (22) Filed: **Sep. 19, 2019**
- (51) **LOC (13) Cl.** **09-07**
- (52) **U.S. Cl.**
USPC **D9/449; D9/453**
- (58) **Field of Classification Search**
USPC D9/414, 424, 425, 428, 432, 434, 435, D9/436, 439, 440, 443-450, 452-457, D9/499, 503, 682, 685, 686; D7/387, D7/391, 392, 392.1, 396.2, 510, 511, 538, D7/900; D3/202, 203.2; D28/91, 91.1
CPC .. A61J 1/00; A61J 1/1412; B65D 1/00; B65D 1/02; B65D 1/10; B65D 1/46; B65D 5/46; B65D 41/00; B65D 41/38; B65D 41/56; B65D 41/62; B65D 47/00; B65D 47/06; B65D 47/08; B65D 2251/00; B65D 2543/00046; B65D 2543/00092; B65D 2543/00296
See application file for complete search history.

D578,000 S *	10/2008	Zoppas	D9/453
D581,790 S *	12/2008	Hyde	D9/449
D592,057 S *	5/2009	Guerin	D9/449
D625,605 S *	10/2010	Bardet	D9/449
D640,134 S *	6/2011	Rognard	D9/447
D672,650 S *	12/2012	Wisniewski	D9/449
D672,651 S *	12/2012	Gregory	D9/449
D673,043 S *	12/2012	Antier	D9/449
D738,737 S *	9/2015	McCay	D9/552
D747,201 S *	1/2016	Pellerin	D9/449
D775,950 S *	1/2017	Rognard	D9/452
D782,908 S *	4/2017	Bentkovski	D9/449
D801,172 S *	10/2017	Bentkovski	D9/435
9,932,158 B2 *	4/2018	Rognard	B65D 47/24
D833,278 S *	11/2018	Pellerin	D9/449
D837,650 S *	1/2019	Rognard	D9/449
10,287,067 B2 *	5/2019	Benoit-Gonin	B65D 55/024
2019/0135504 A1 *	5/2019	Koenigseder	B65D 47/0804

* cited by examiner

Primary Examiner — Wendy L Arminio

(74) *Attorney, Agent, or Firm* — Hauptman Ham, LLP

(57) **CLAIM**

The ornamental design for a closure for a container neck, as shown and described.

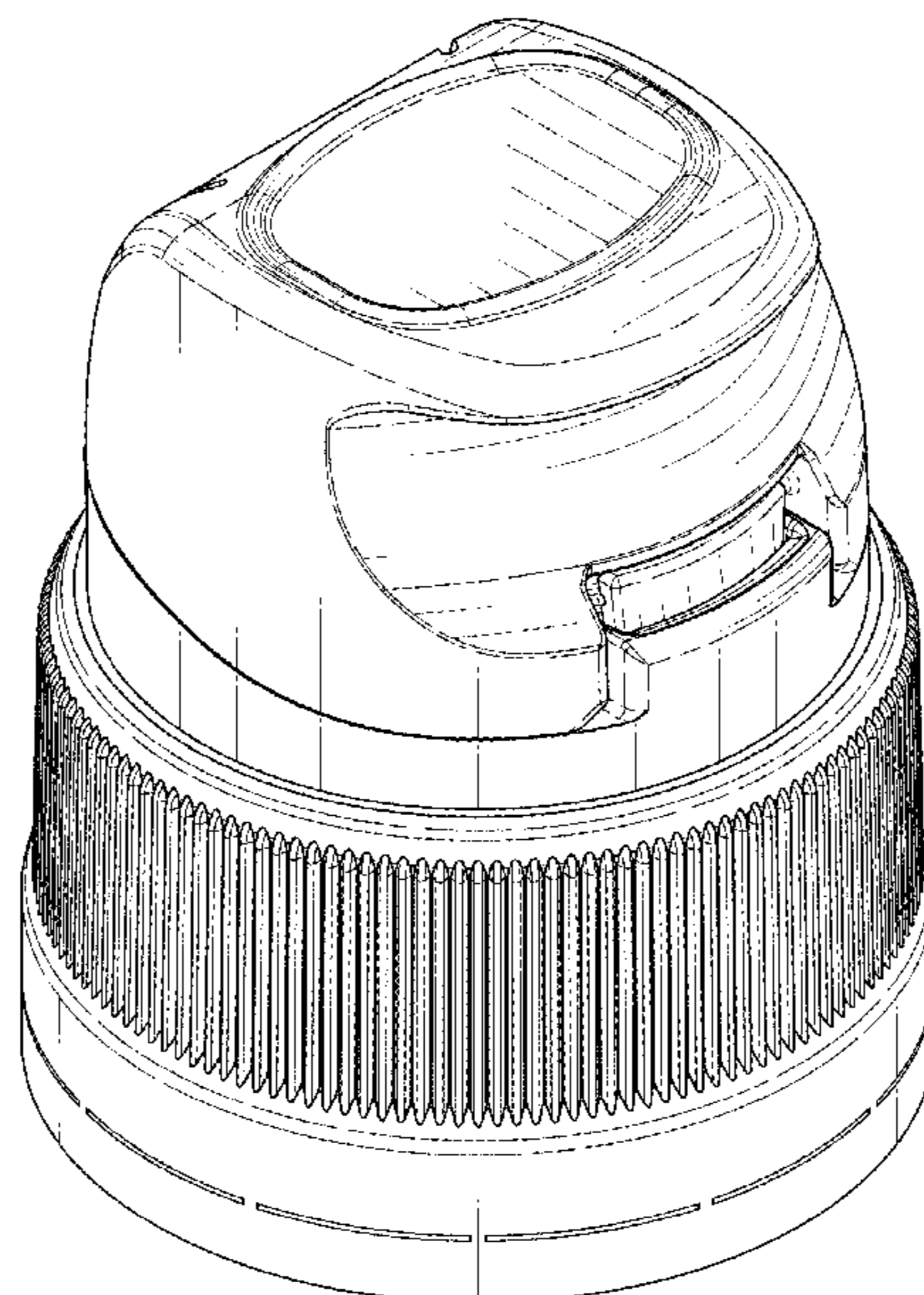
DESCRIPTION

FIG. 1 is a top-front-left perspective view of a closure for a container neck bearing the design;
 FIG. 2 is an elevational, front view of the closure of FIG. 1;
 FIG. 3 is an elevational, rear view of the closure of FIG. 1;
 FIG. 4 is an elevational, right view of the closure of FIG. 1;
 and,
 FIG. 5 is a top, plan view of the closure of FIG. 1.
 An elevational, left view of the closure is a mirror image of the elevational, right view of FIG. 4. The bottom of the closure forms no part of the claimed design. The broken lines depict portions of the closure for a container neck that form no part of the claimed design.

1 Claim, 5 Drawing Sheets

(56) **References Cited**
U.S. PATENT DOCUMENTS

D472,144 S *	3/2003	Hierzer	D9/453
D480,305 S *	10/2003	Nusbaum	D9/447



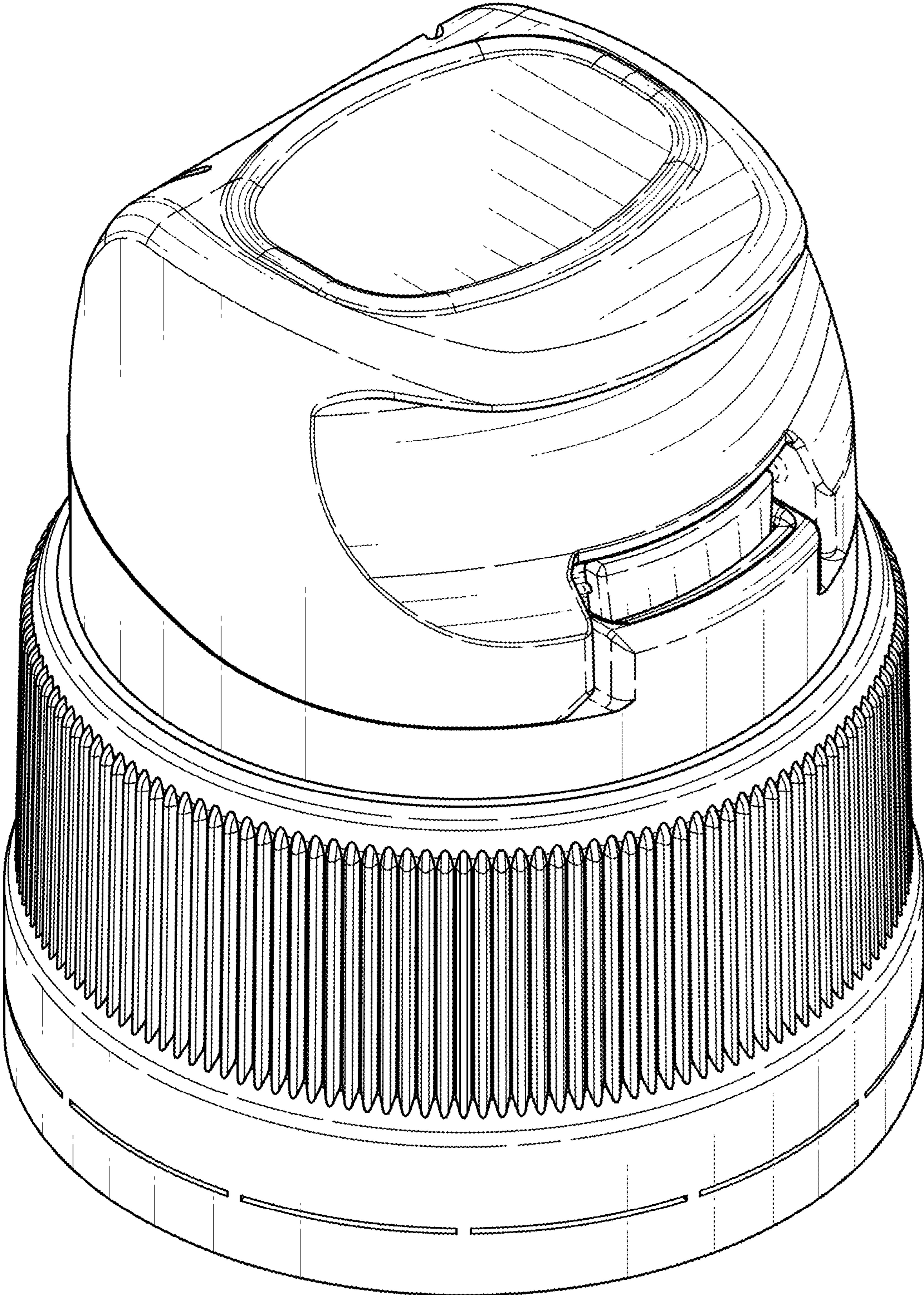


FIG. 1

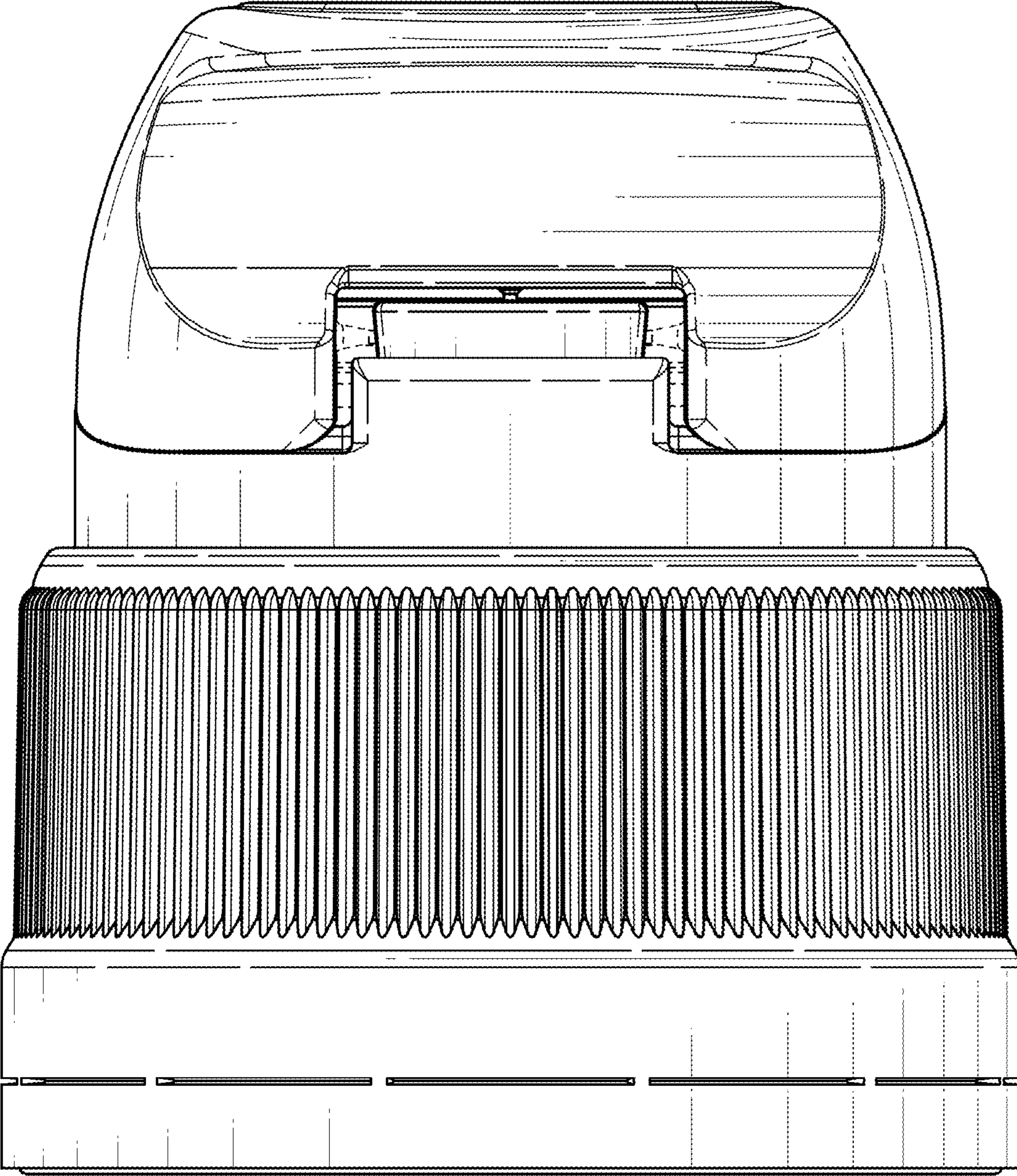


FIG. 2

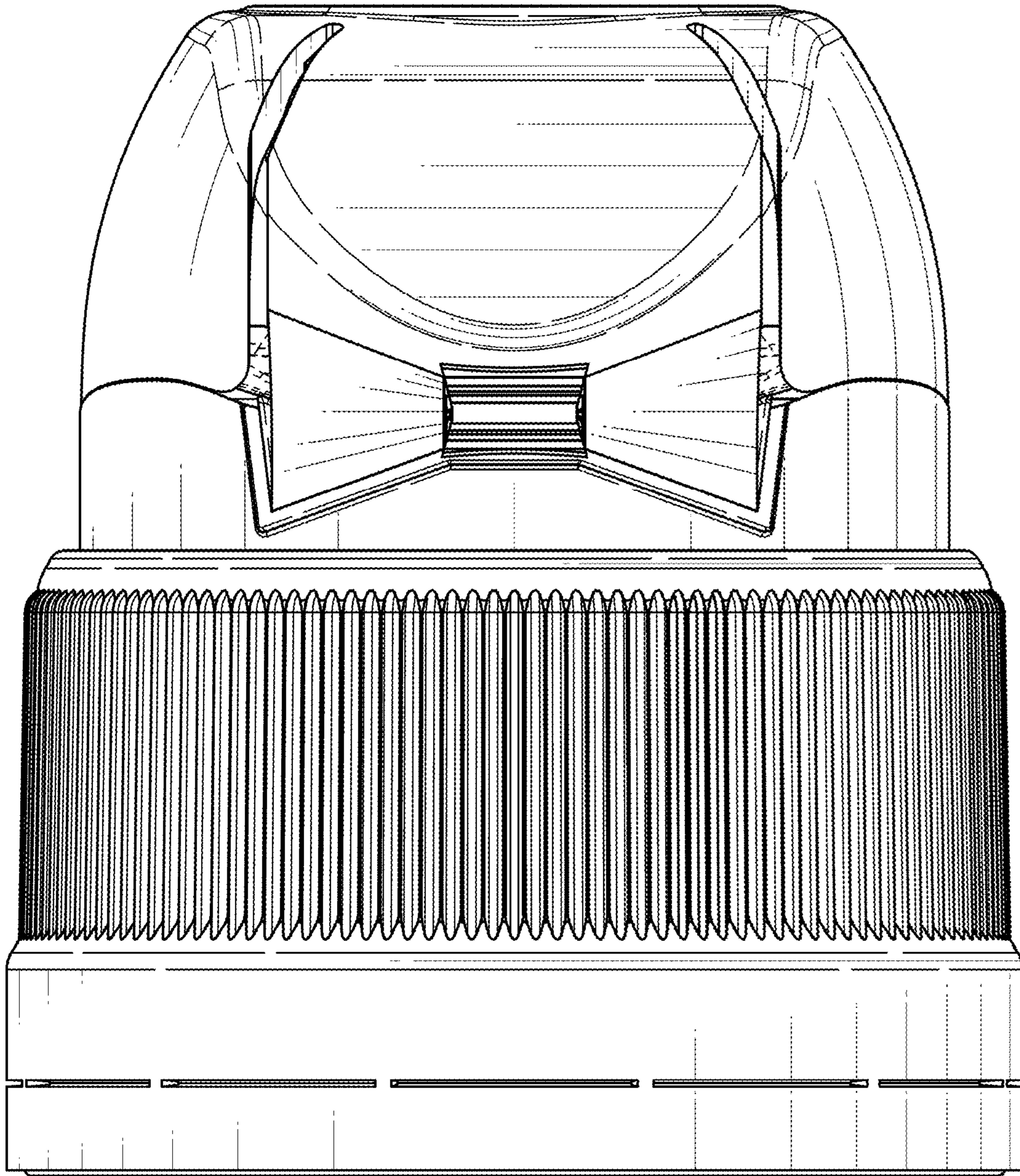


FIG. 3

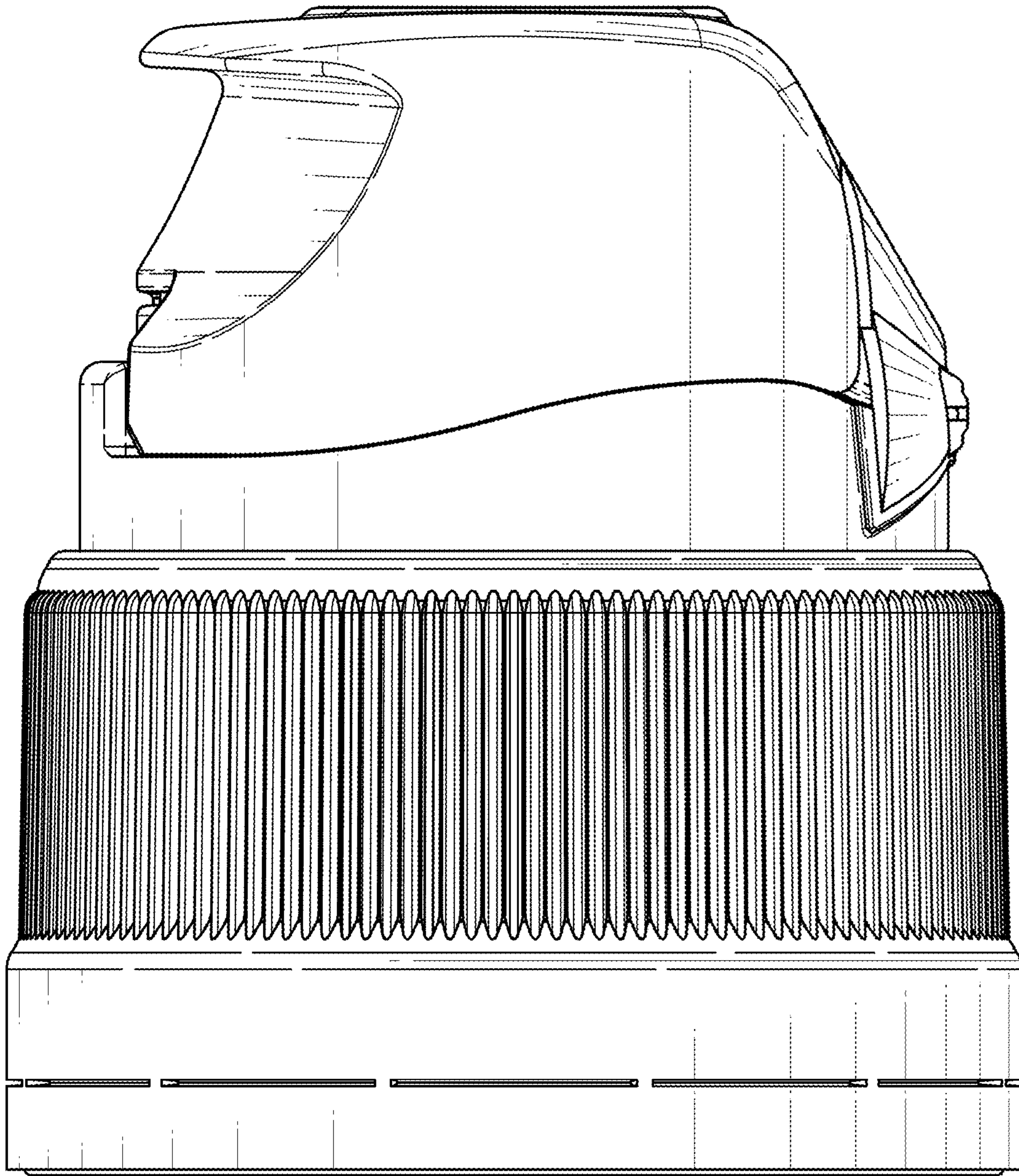


FIG. 4

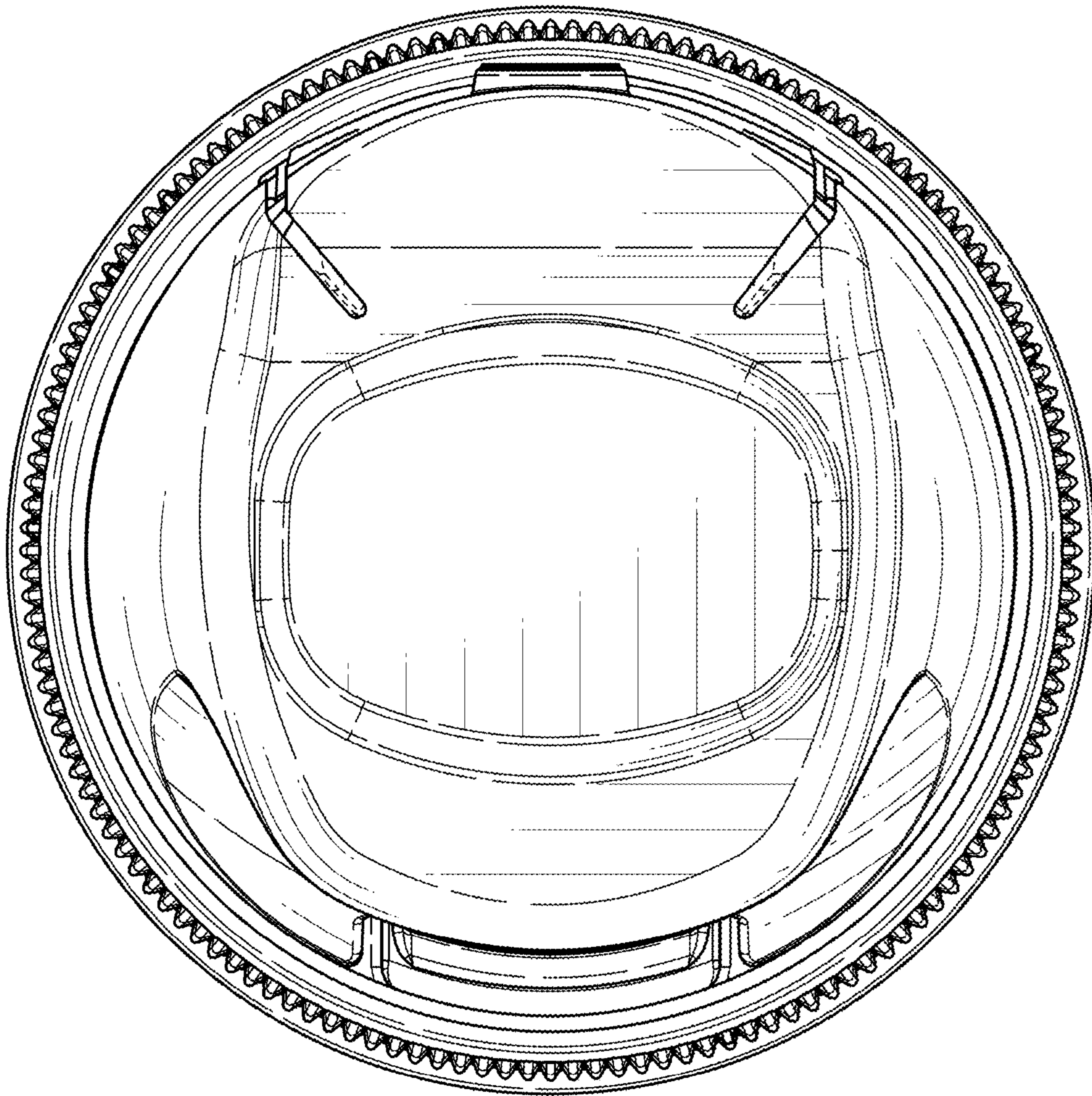


FIG. 5