



US00D914497S

(12) **United States Design Patent** (10) **Patent No.:** **US D914,497 S**
Castle et al. (45) **Date of Patent:** **** Mar. 30, 2021**

(54) **BOTTLE STOPPER**

(56) **References Cited**

(71) Applicant: **Lexmark International, Inc.**,
Lexington, KY (US)

(72) Inventors: **Scott Richard Castle**, Lexington, KY
(US); **Hyeob Kim**, Independence, KY
(US); **Robert Henry Muyskens**,
Lexington, KY (US); **Thomas Eugene
Pangburn**, Winchester, KY (US)

U.S. PATENT DOCUMENTS

D234,340 S * 2/1975 Schick D9/436
D362,388 S * 9/1995 Ferrara, Jr. D9/448
D482,281 S * 11/2003 Bakic D9/448
D671,357 S * 11/2012 Trombly D7/392.1
D682,058 S * 5/2013 Puglisi D8/34
D754,536 S * 4/2016 Arriaga D9/436
D769,686 S * 10/2016 Meyer D8/38
D795,694 S * 8/2017 Yefremow D9/443

(Continued)

(73) Assignee: **LEXMARK INTERNATIONAL,
INC.**, Lexington, KY (US)

OTHER PUBLICATIONS

(**) Term: **15 Years**

Haley's Corker 5 in 1 Wine Stopper: Site Visited Dec. 31, 2020.
Available from Internet URL: <https://www.worldmarket.com/product/haleys-corker-5-in-1-wine-stopper.do>.*

(21) Appl. No.: **29/711,375**

Primary Examiner — Catherine S Posthauer

(22) Filed: **Oct. 30, 2019**

(51) **LOC (13) Cl.** **09-07**

(57) **CLAIM**

(52) **U.S. Cl.**
USPC **D9/436**

The ornamental design for a bottle stopper, as shown and described.

(58) **Field of Classification Search**

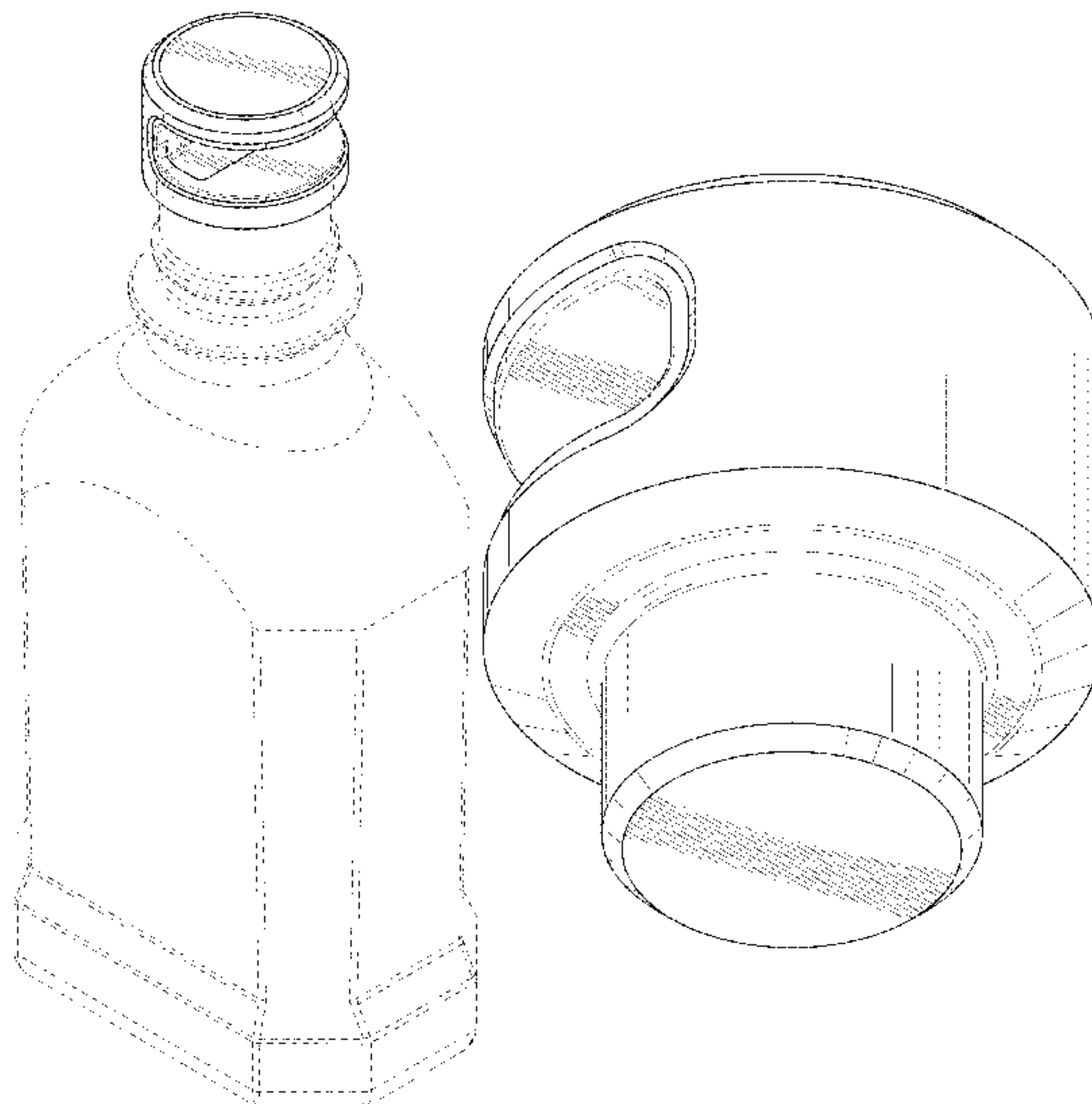
DESCRIPTION

USPC D7/509, 510, 511, 624.1, 387, 391, 392,
D7/392.1, 393, 396.1, 396.2; D9/434,
D9/435, 439, 445, 447, 448, 449, 451,
D9/454, 438, 440, 443, 452, 453, 686,
D9/723, 724, 436; D23/259, 260, 261,
D23/209, 210; D24/162, 127
CPC B65D 43/265; B65D 17/506; B65D 47/04;
B65D 47/06; B65D 47/08; B65D 47/20;
B65D 1/00; B65D 1/02; B65D 1/10;
B65D 1/46; B65D 2585/56; B65D
2585/545; B65D 41/00; B65D 41/38;
B65D 41/56; B65D 41/62; B65D 47/00;
B65D 23/00; B65D 51/1694; B65D
43/0212; B65D 43/0208; B65D
2543/00046; B65D 2543/00092; B65D
1/24; B65D 25/04; B65D 43/09; B65D
43/16; A61J 1/00; A61J 1/1412; A61J
1/02

FIG. 1 is a front, top, and right side perspective view of a bottle stopper showing our new design in a position of use with an exemplary bottle;
FIG. 2 is a front, top, and right side perspective view thereof, shown with the exemplary bottle removed to show aspects of the design not visible when combined;
FIG. 3 is a rear, bottom, and left side perspective thereof;
FIG. 4 is front elevation thereof;
FIG. 5 is a right side elevation thereof;
FIG. 6 is a rear elevation thereof;
FIG. 7 is a left side elevation thereof;
FIG. 8 is a top plan view thereof; and,
FIG. 9 is a bottom plan view thereof.
The features shown in broken lines depict environmental subject matter only and form no part of the claimed design.

See application file for complete search history.

1 Claim, 9 Drawing Sheets



(56)

References Cited

U.S. PATENT DOCUMENTS

9,821,936	B1 *	11/2017	Arriaga	B67B 7/16
D820,084	S *	6/2018	Schoen	D9/439
D860,788	S *	9/2019	Abadilla	D9/447
D901,265	S *	11/2020	Seeuwen	D8/40
D901,266	S *	11/2020	Seeuwen	D8/40
2016/0023875	A1 *	1/2016	Lenig	B67B 7/16 53/492

* cited by examiner

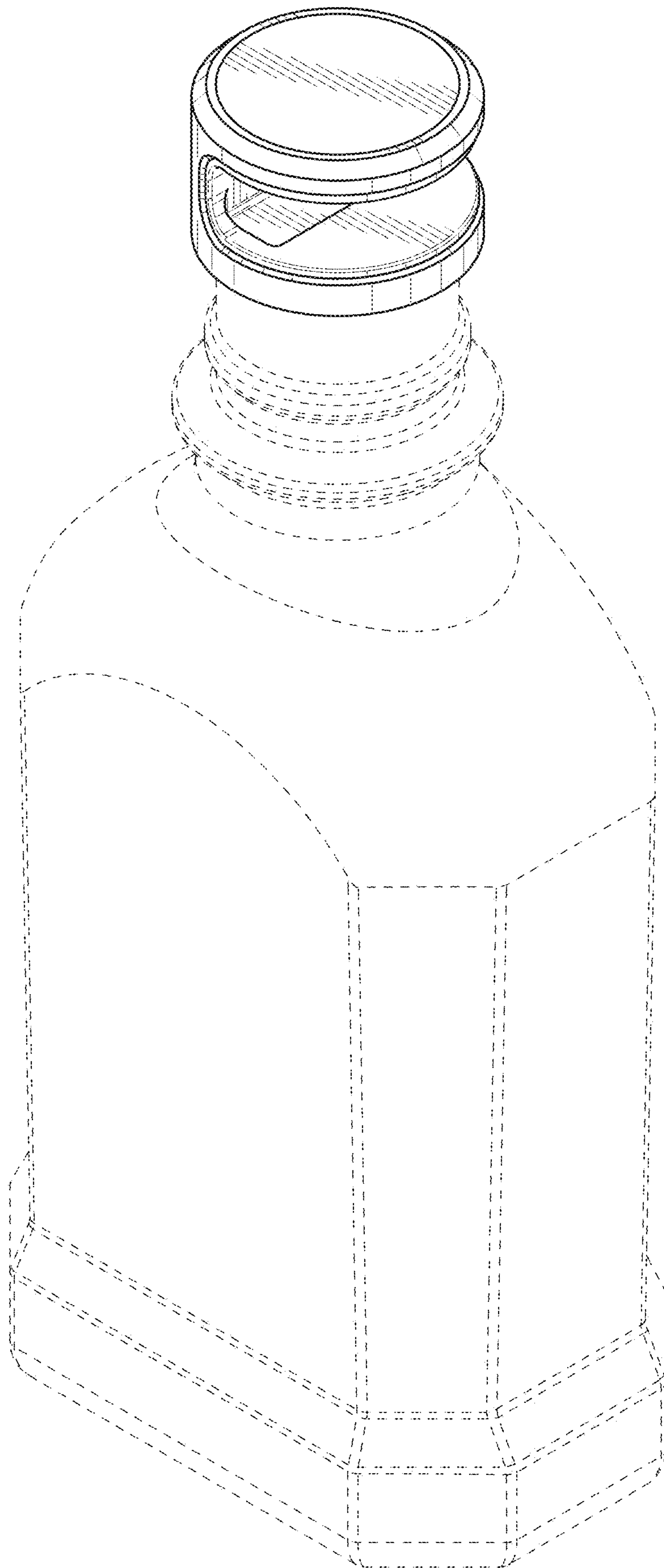


FIG. 1

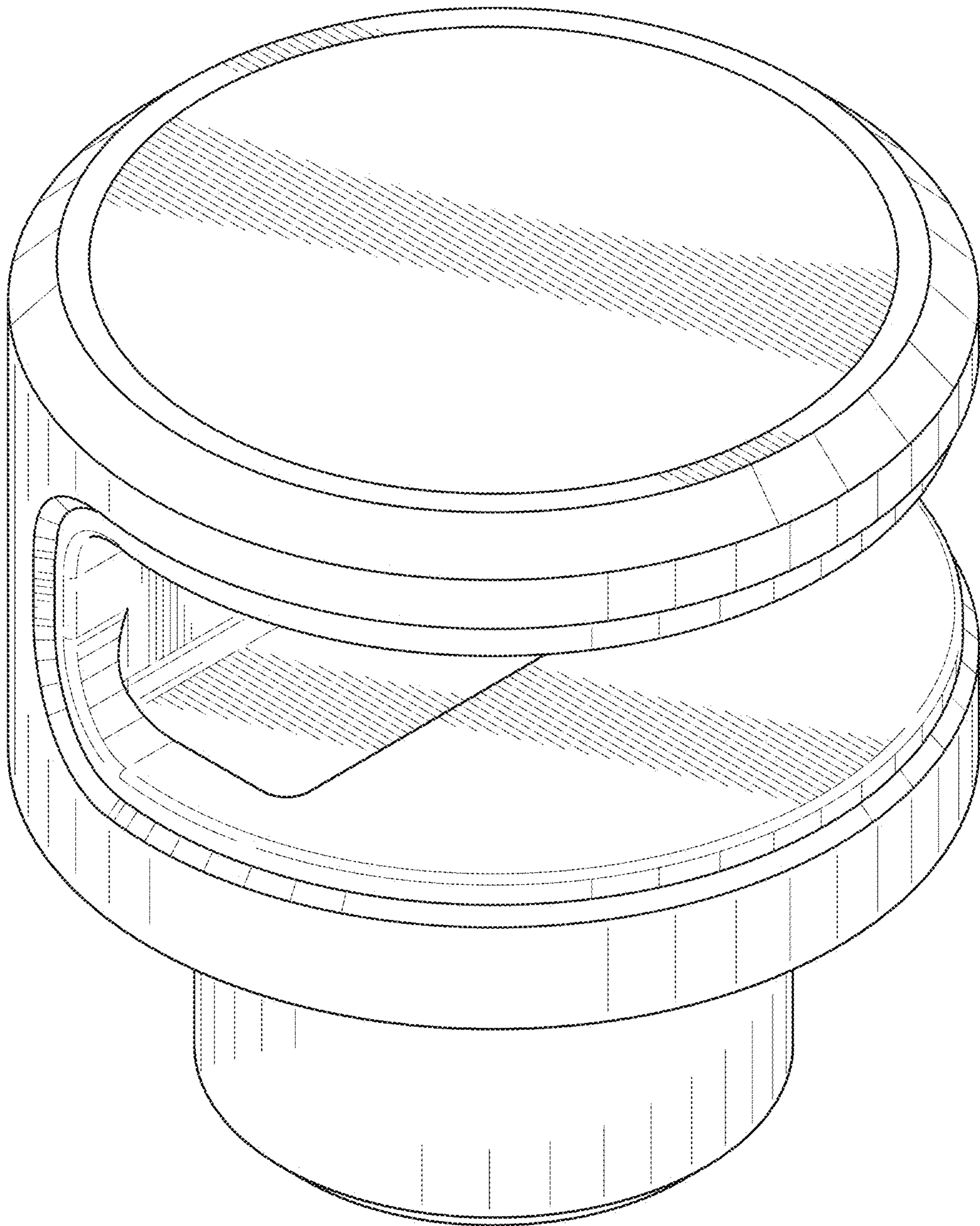


FIG. 2

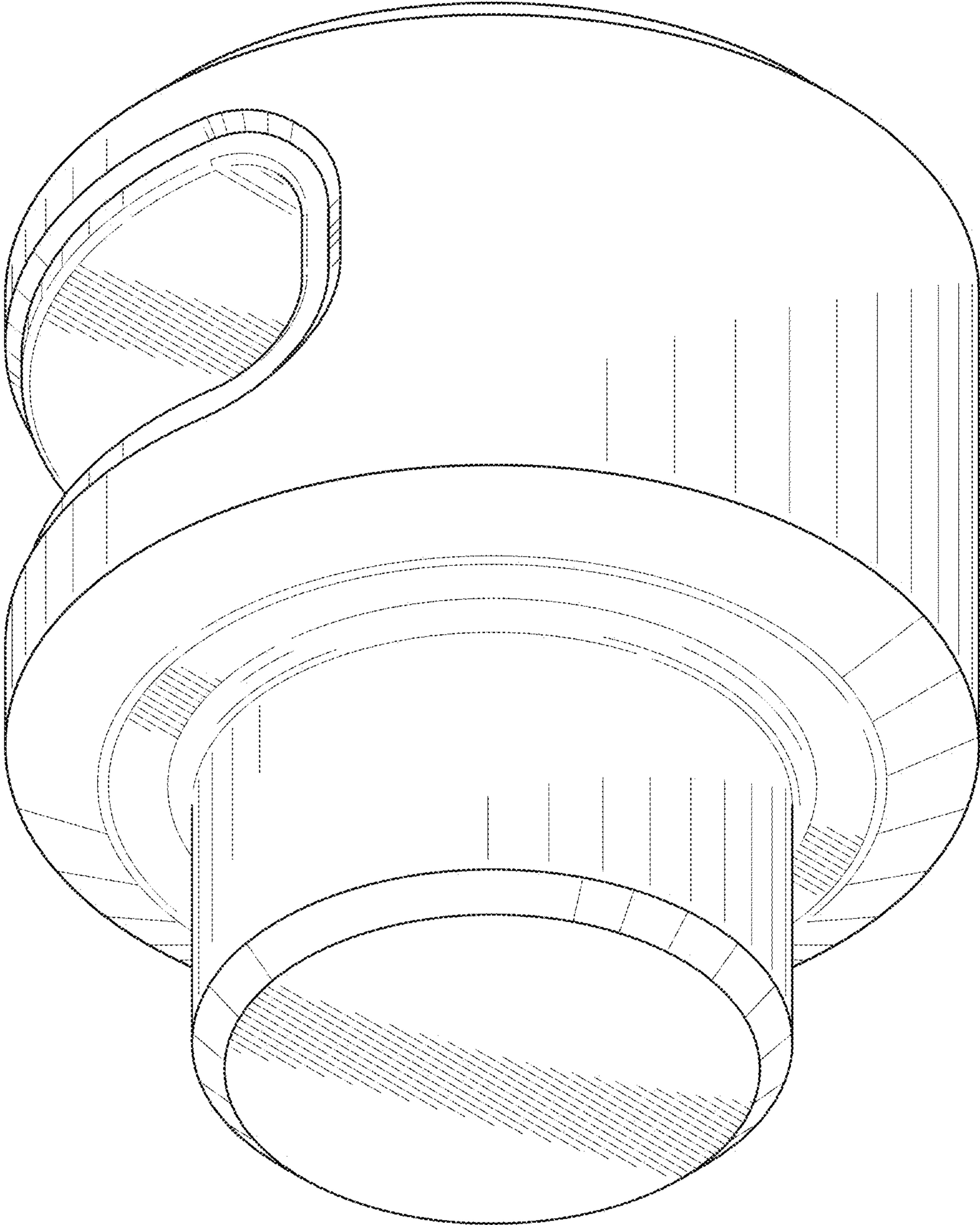


FIG. 3

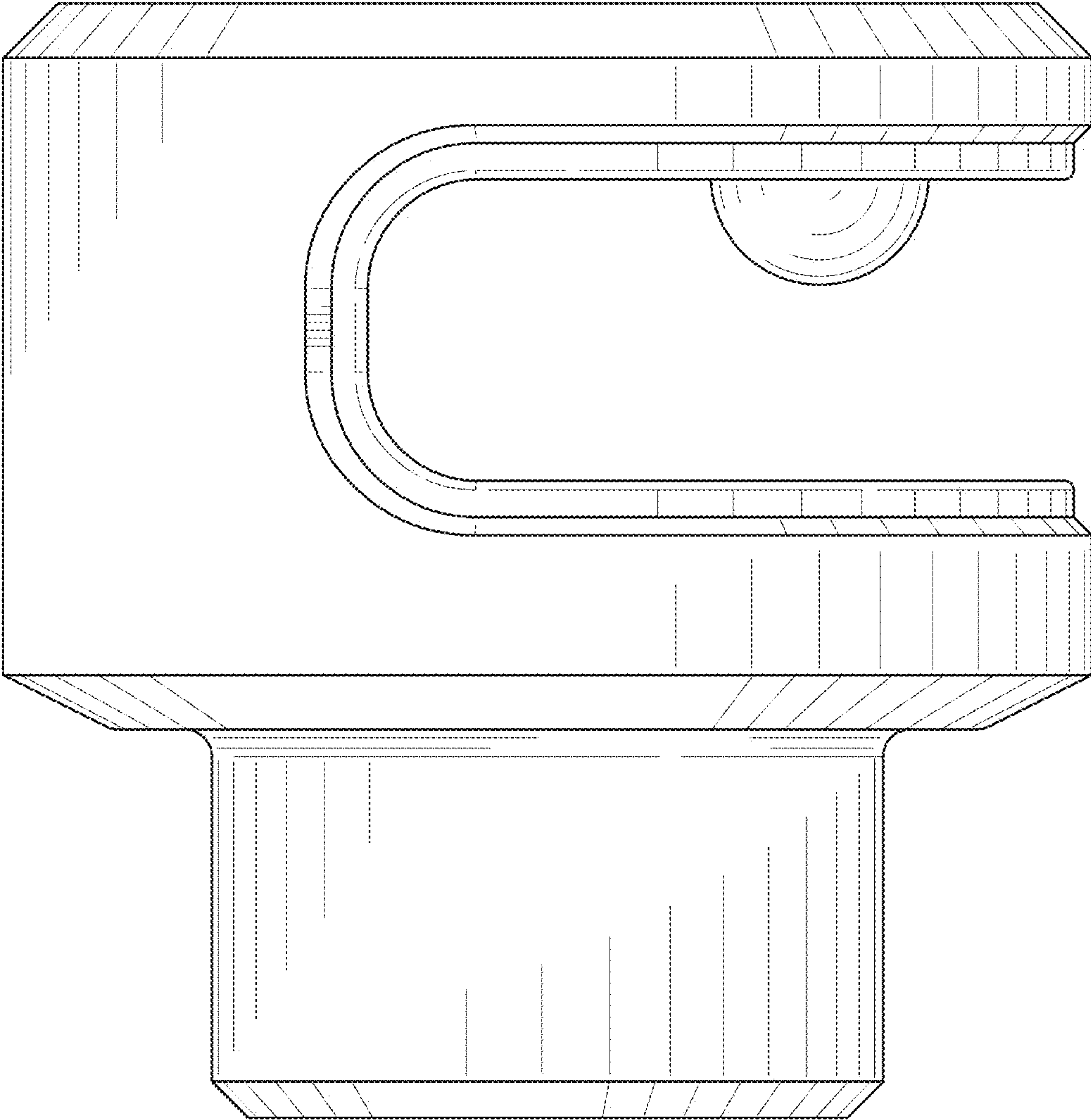


FIG. 4

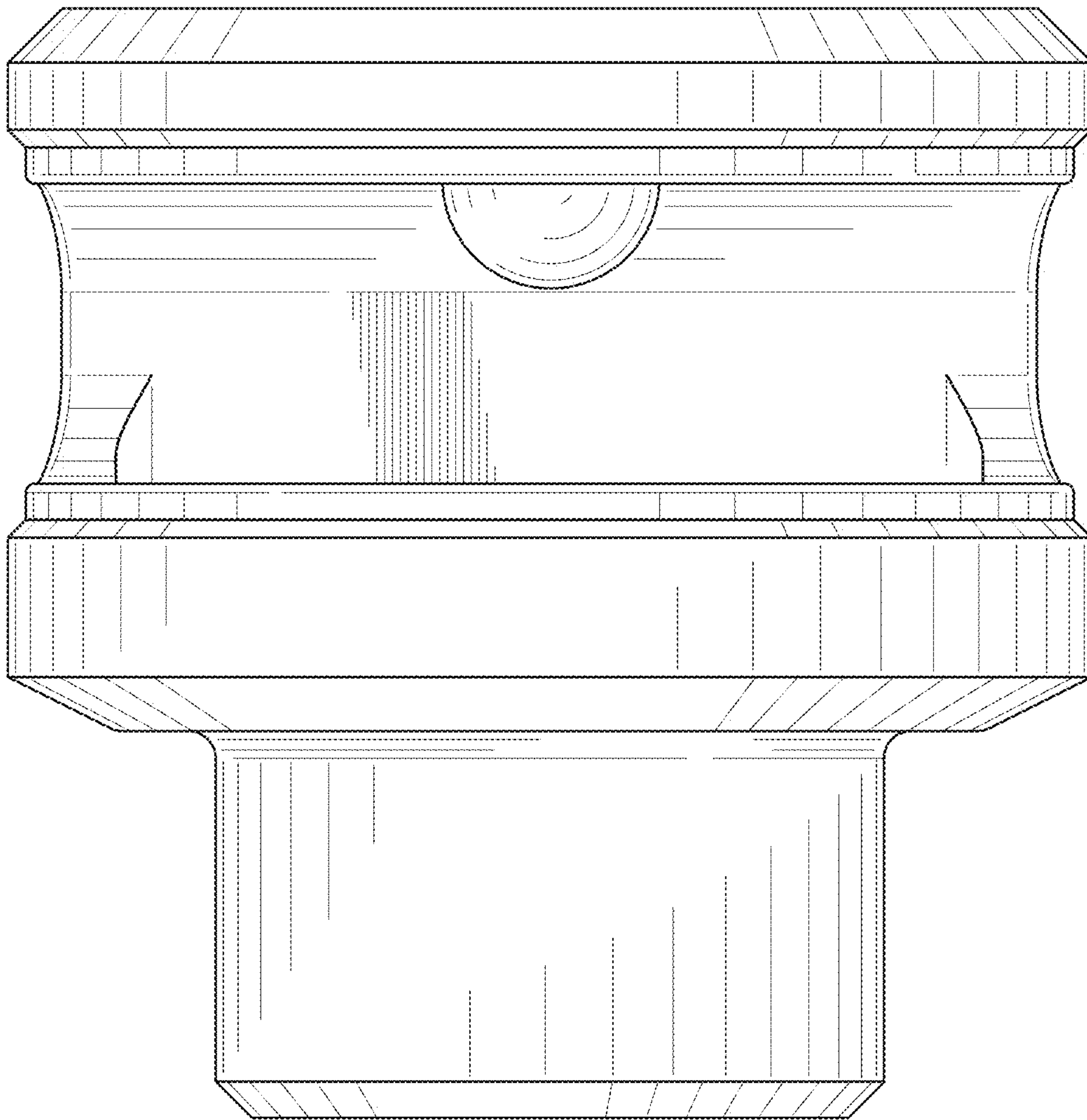


FIG. 5

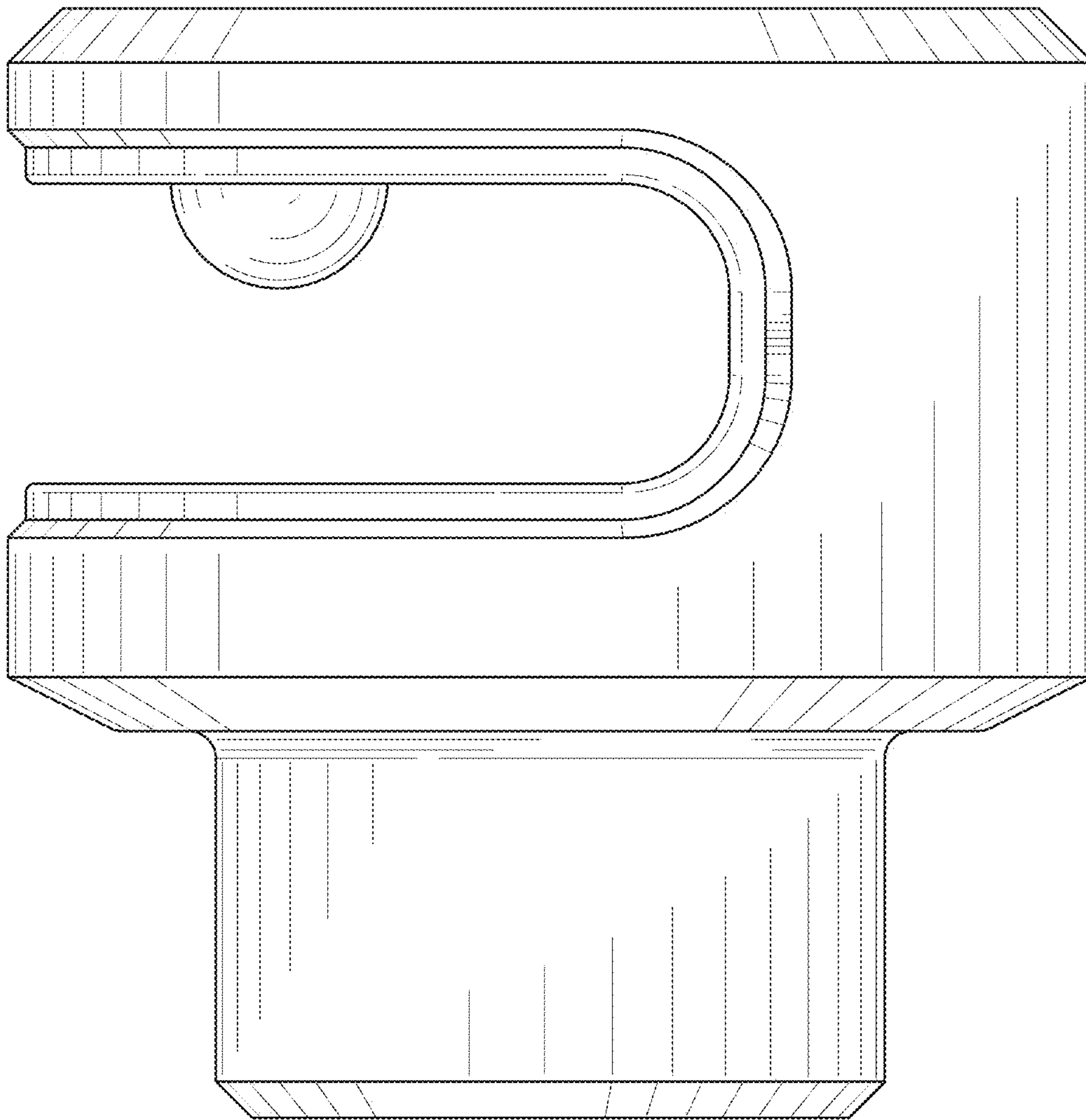


FIG. 6

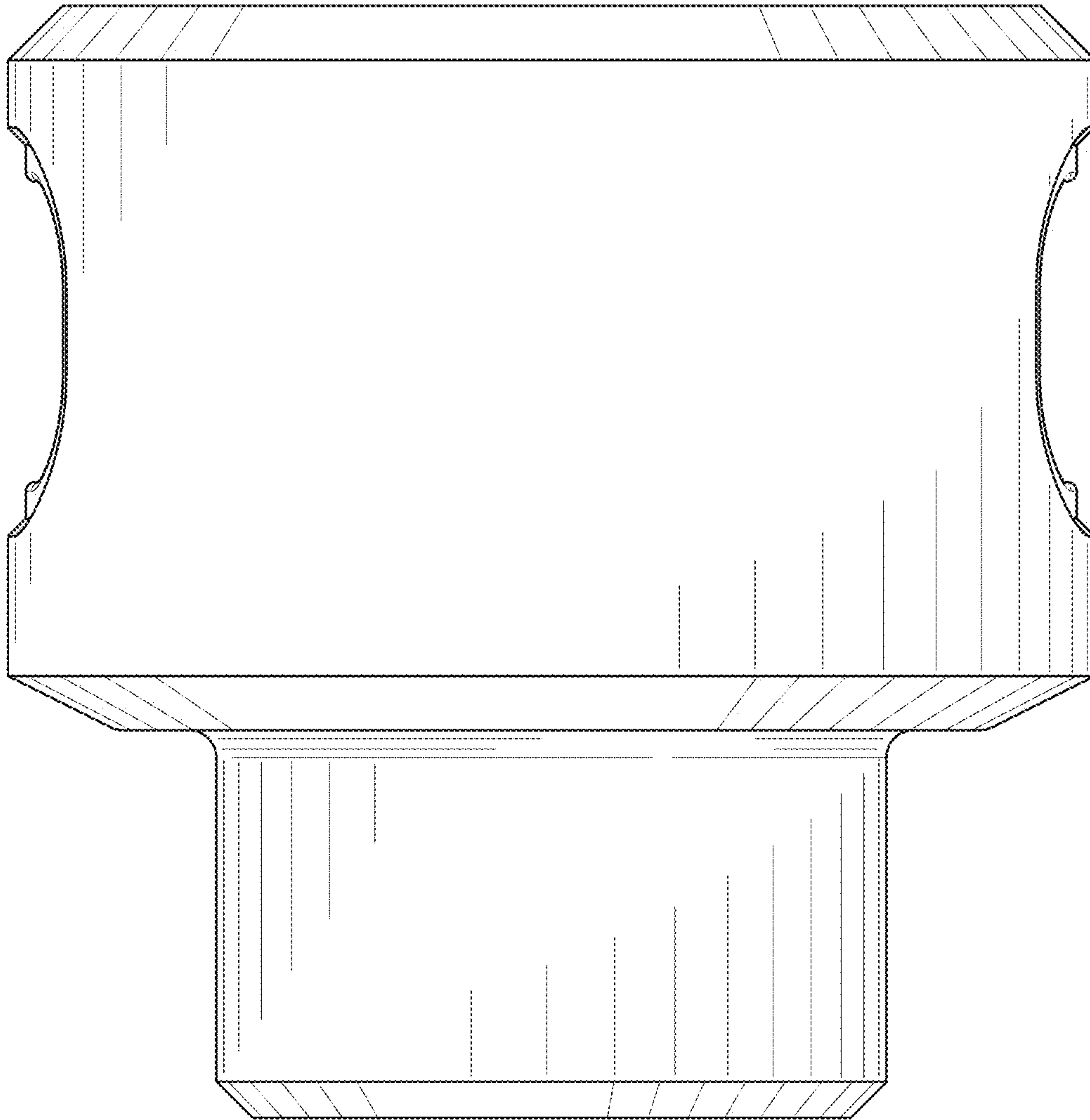


FIG. 7

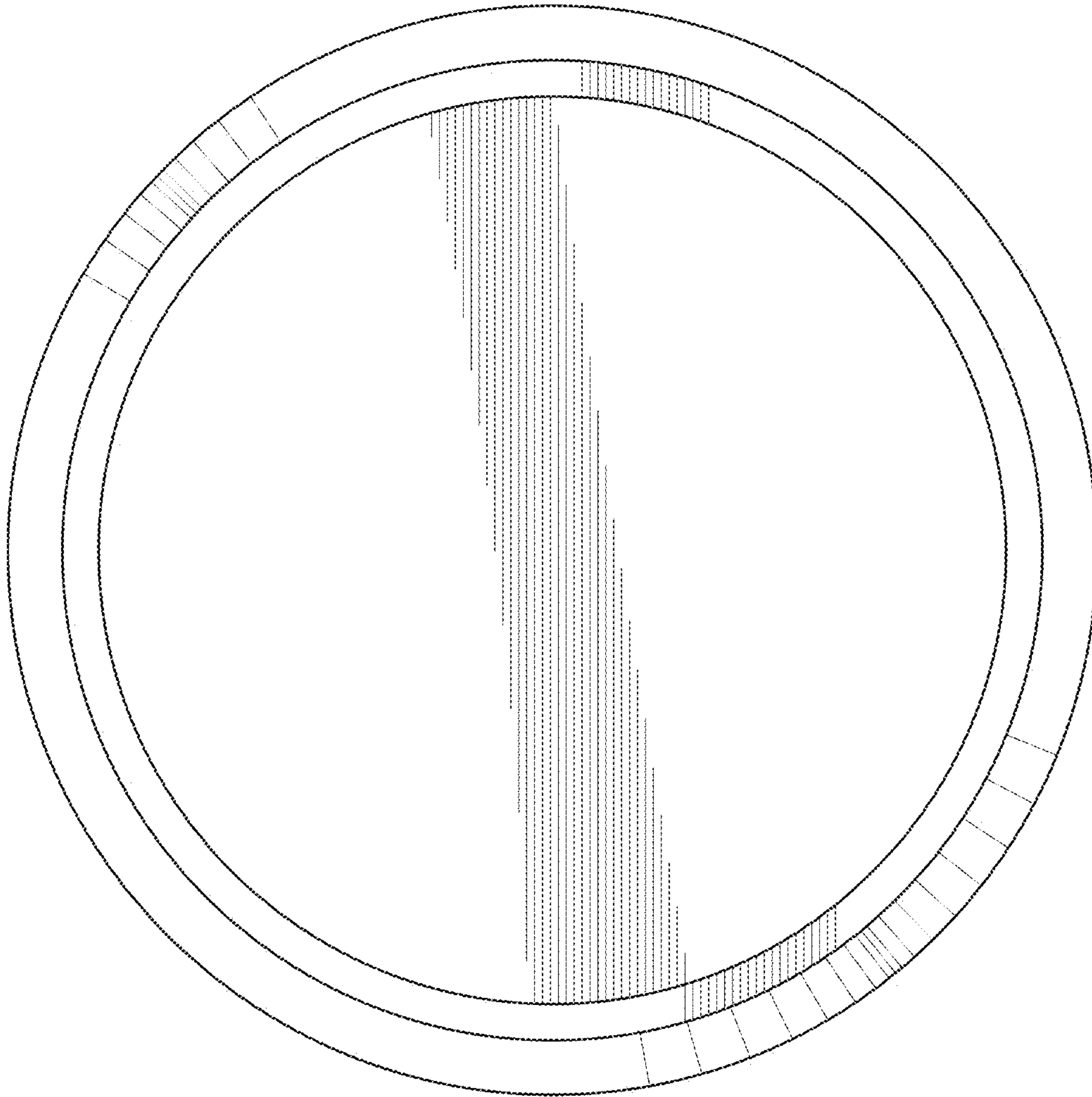


FIG. 8

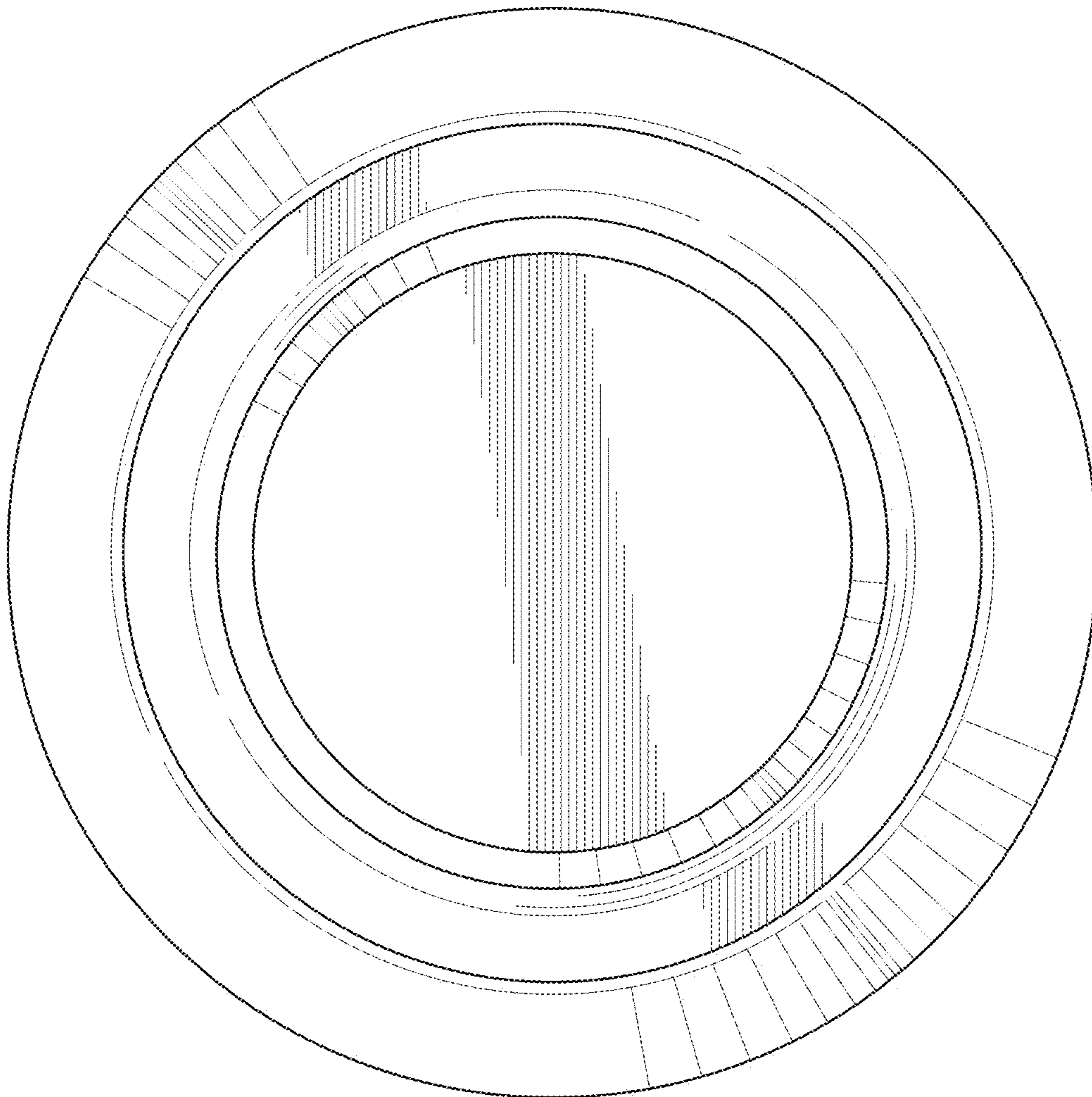


FIG. 9