



US00D914495S

(12) **United States Design Patent**
Wikstrom

(10) **Patent No.:** **US D914,495 S**

(45) **Date of Patent:** **** Mar. 30, 2021**

- (54) **TAMPER-EVIDENT CONTAINER**
- (71) Applicant: **Todd Wikstrom**, Las Vegas, NV (US)
- (72) Inventor: **Todd Wikstrom**, Las Vegas, NV (US)
- (73) Assignee: **PIZZALOC LLC**
- (**) Term: **15 Years**
- (21) Appl. No.: **29/722,056**
- (22) Filed: **Jan. 25, 2020**
- (51) **LOC (13) Cl.** **09-03**
- (52) **U.S. Cl.**
USPC **D9/432; D9/433**
- (58) **Field of Classification Search**
USPC D9/414-423, 430-433, 434, 456, 457,
D9/711, 713, 721-722, 737-756, 758,
D9/759, 760; D20/10, 22, 27, 40, 42
CPC ... B65D 5/00; B65D 5/02; B65D 5/18; B65D
5/20; B65F 5/00
See application file for complete search history.

(56) **References Cited**

U.S. PATENT DOCUMENTS

- 2,349,748 A * 5/1944 Otto B65D 5/723
229/220
- 2,903,175 A * 9/1959 Peimer B65D 5/723
229/220
- 3,119,544 A * 1/1964 Cope B65D 5/4608
229/117.16
- 3,819,093 A * 6/1974 Forbes, Jr. B65D 5/723
222/529
- 6,575,356 B2 * 6/2003 McClure B65D 5/443
229/143
- 7,306,138 B2 * 12/2007 Shadrach B65D 5/18
229/122.1
- D690,586 S * 10/2013 Taylor D9/421
- 9,045,251 B2 * 6/2015 Sanchez B65D 5/445
- D804,298 S * 12/2017 Demmink D9/418
- D808,824 S * 1/2018 Dupin D9/761

- D840,806 S * 2/2019 Bourke D9/432
- D888,549 S * 6/2020 Hietanen D9/432
- 2014/0054359 A1 * 2/2014 Benigni B65D 5/4608
229/117.16

(Continued)

OTHER PUBLICATIONS

Digitally-printed mail order packaging. [online] Retrieved Nov. 10, 2020 from URL: <https://www.thimm.com/products-services/products/product-detail/intelligent-e-commerce-packaging-for-yamo-605/>.*

Primary Examiner — Vy N Koenig

(74) *Attorney, Agent, or Firm* — QuickPatents, LLC; Kevin Prince

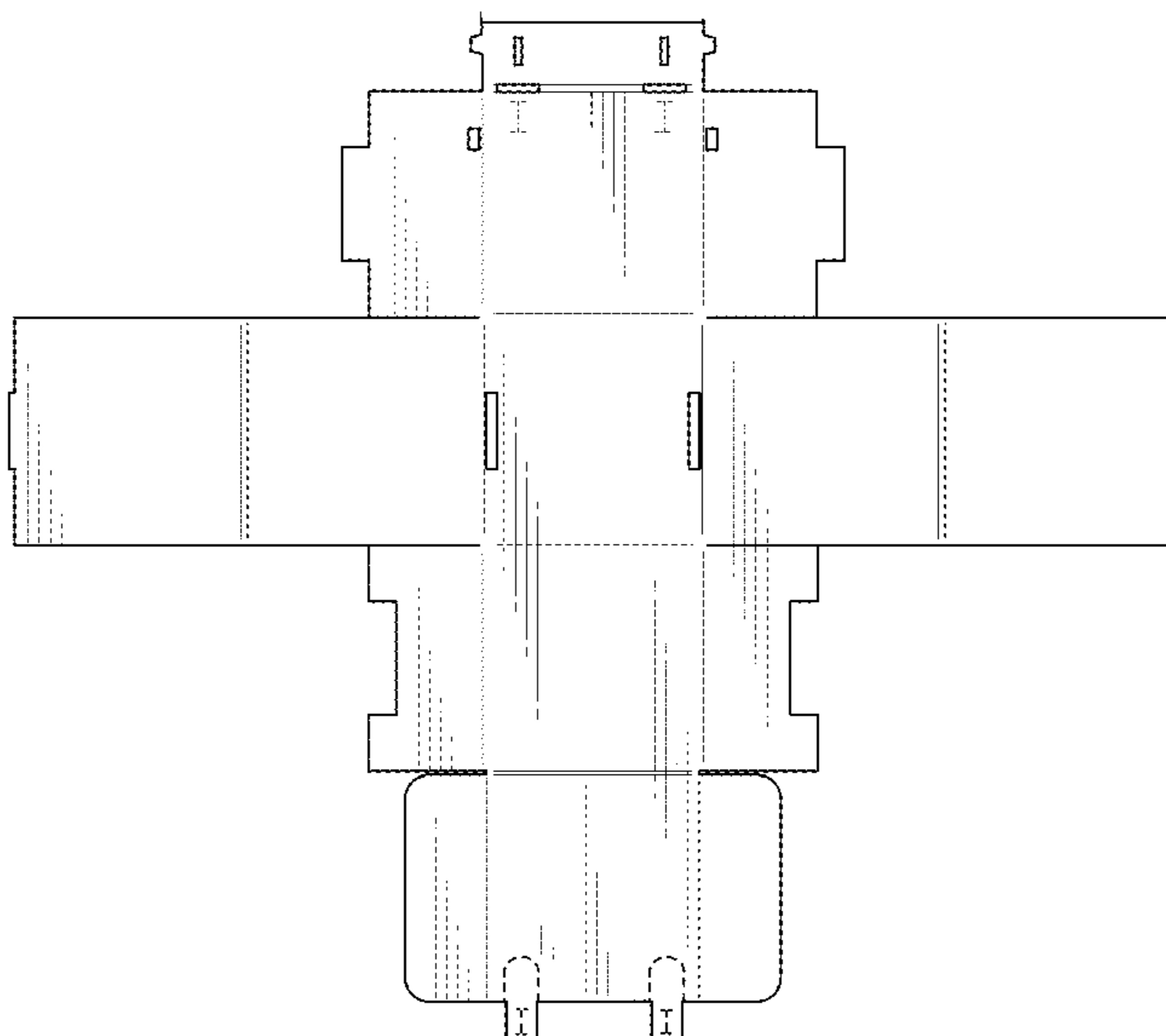
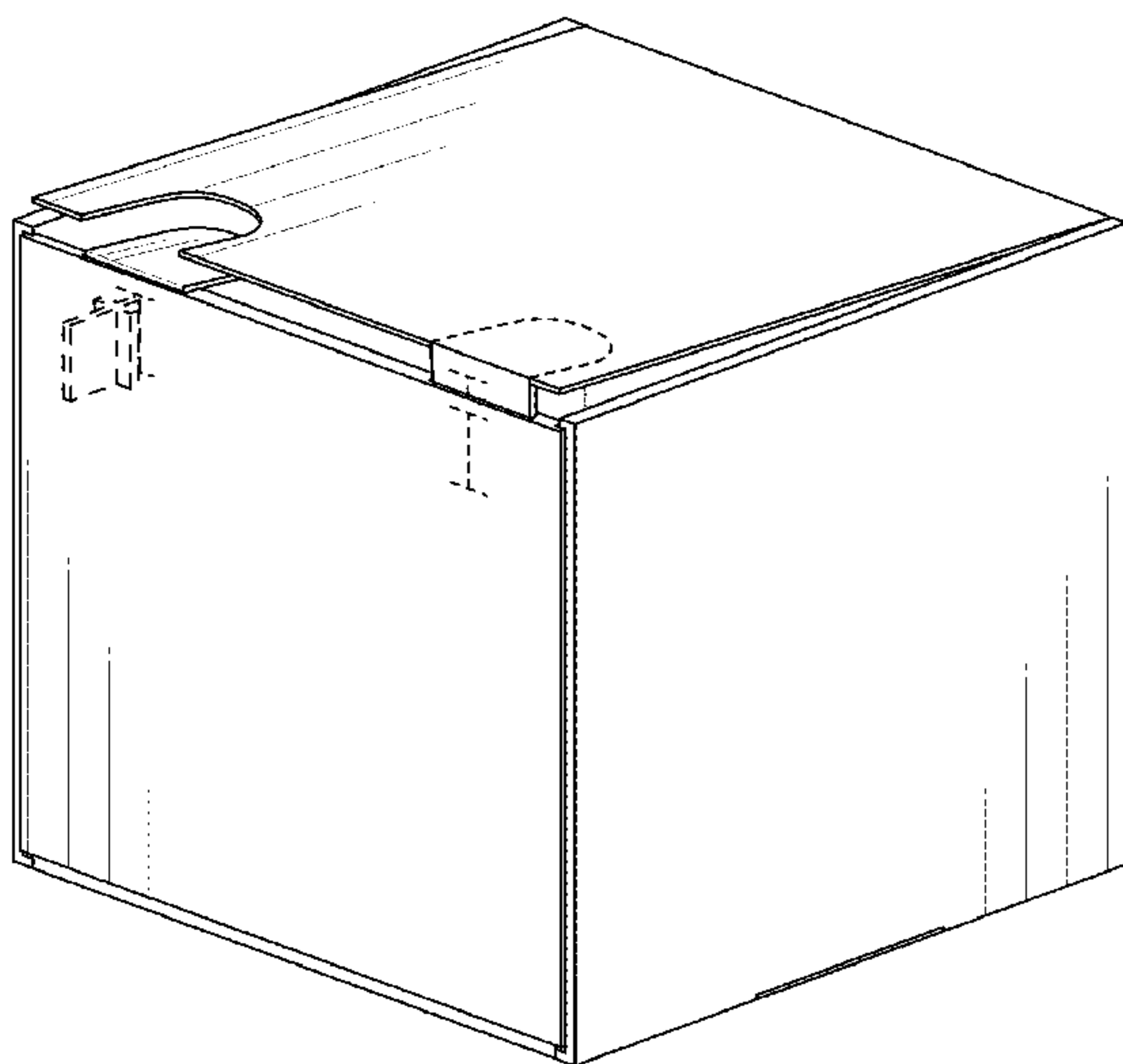
(57) **CLAIM**

The ornamental design for a tamper-evident container, as shown and described.

DESCRIPTION

FIG. 1 is a perspective view of a tamper-evident container, showing my new design in a closed and locked position; FIG. 2 is a perspective view thereof, illustrated in an unlocked and slightly open position; FIG. 3 is a front elevational view of FIG. 1; FIG. 4 is a rear elevational view of FIG. 1; FIG. 5 is a top plan view of FIG. 1; FIG. 6 is a bottom plan view of FIG. 1; FIG. 7 is a left-side elevational view of FIG. 1, the right-side elevational view being a mirror image thereof; and, FIG. 8 is a top plan view of the container of FIG. 1, illustrated in an unassembled, flat blank configuration. The broken lines showing a box fastener in FIGS. 1 and 2 depict environmental matter and form no part of the claimed design. The U-shaped broken lines on the top panel of the container and the I-shaped broken lines on the front of the container represent perforations, and do form part of the claimed design.

1 Claim, 6 Drawing Sheets



(56)

References Cited

U.S. PATENT DOCUMENTS

2018/0148216 A1* 5/2018 Stephens B65D 5/4266
2018/0148218 A1* 5/2018 Yuasa B65D 5/6655
2020/0148453 A1* 5/2020 Sollie B65D 5/64

* cited by examiner

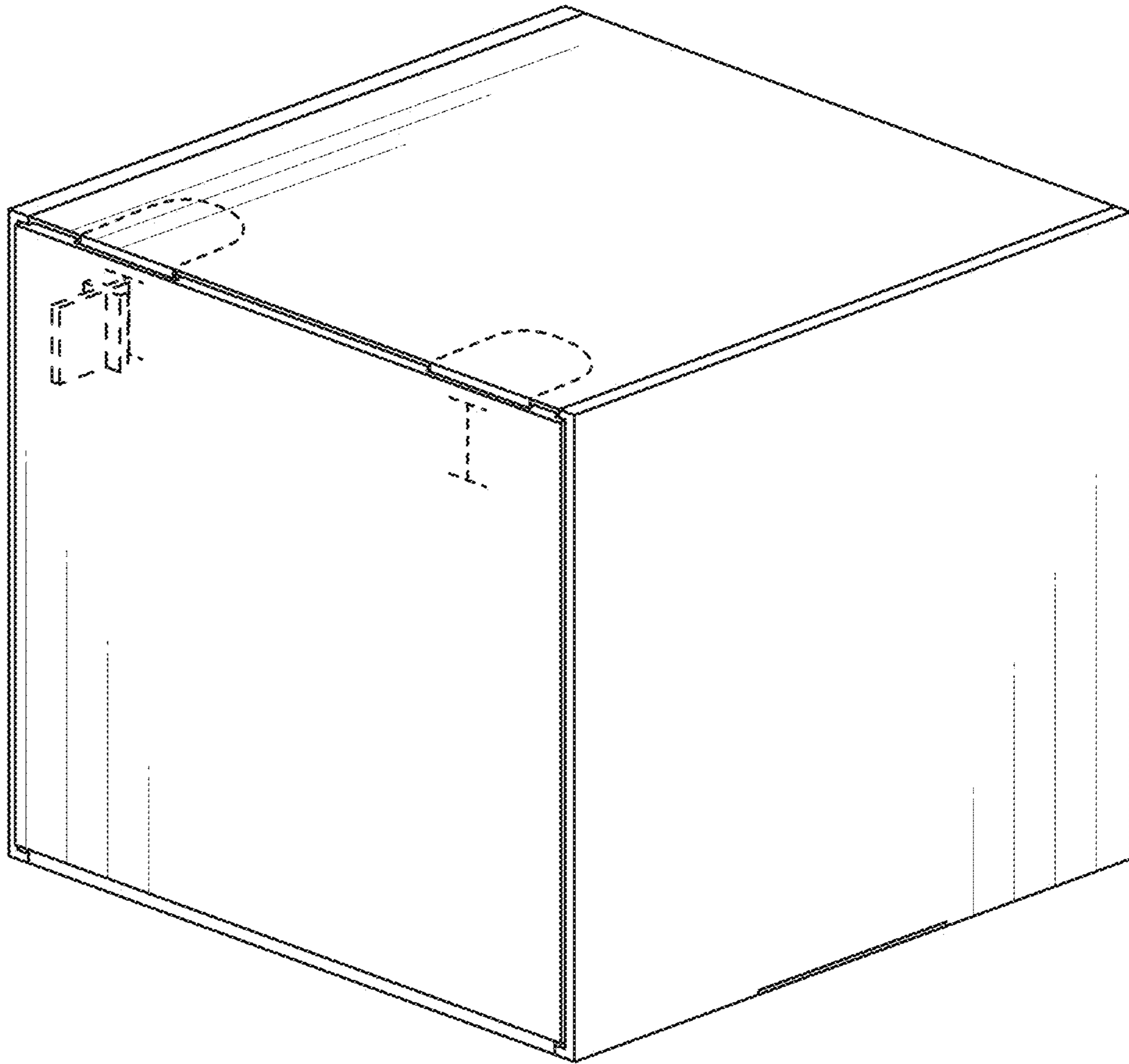


FIG. 1

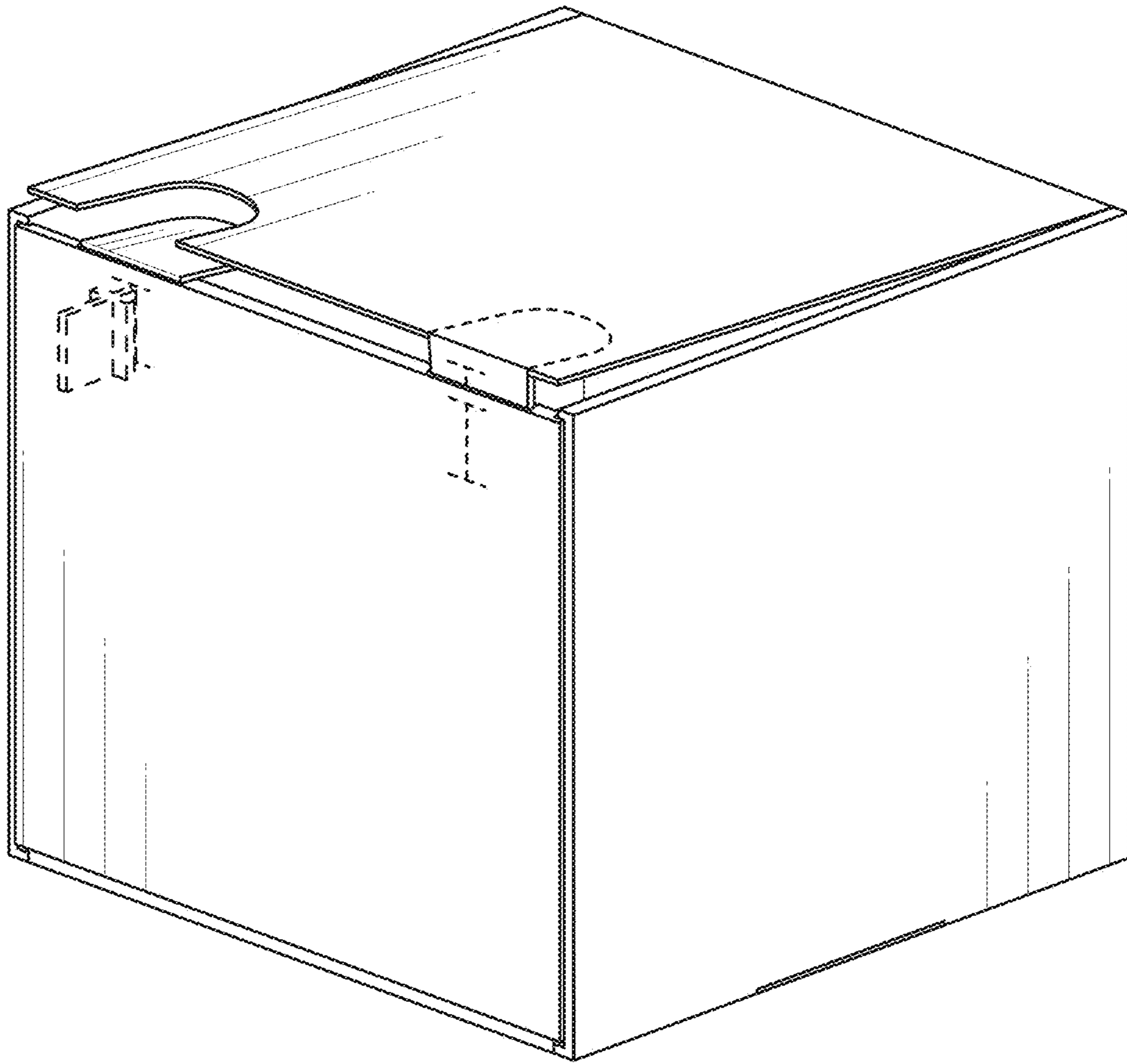


FIG. 2

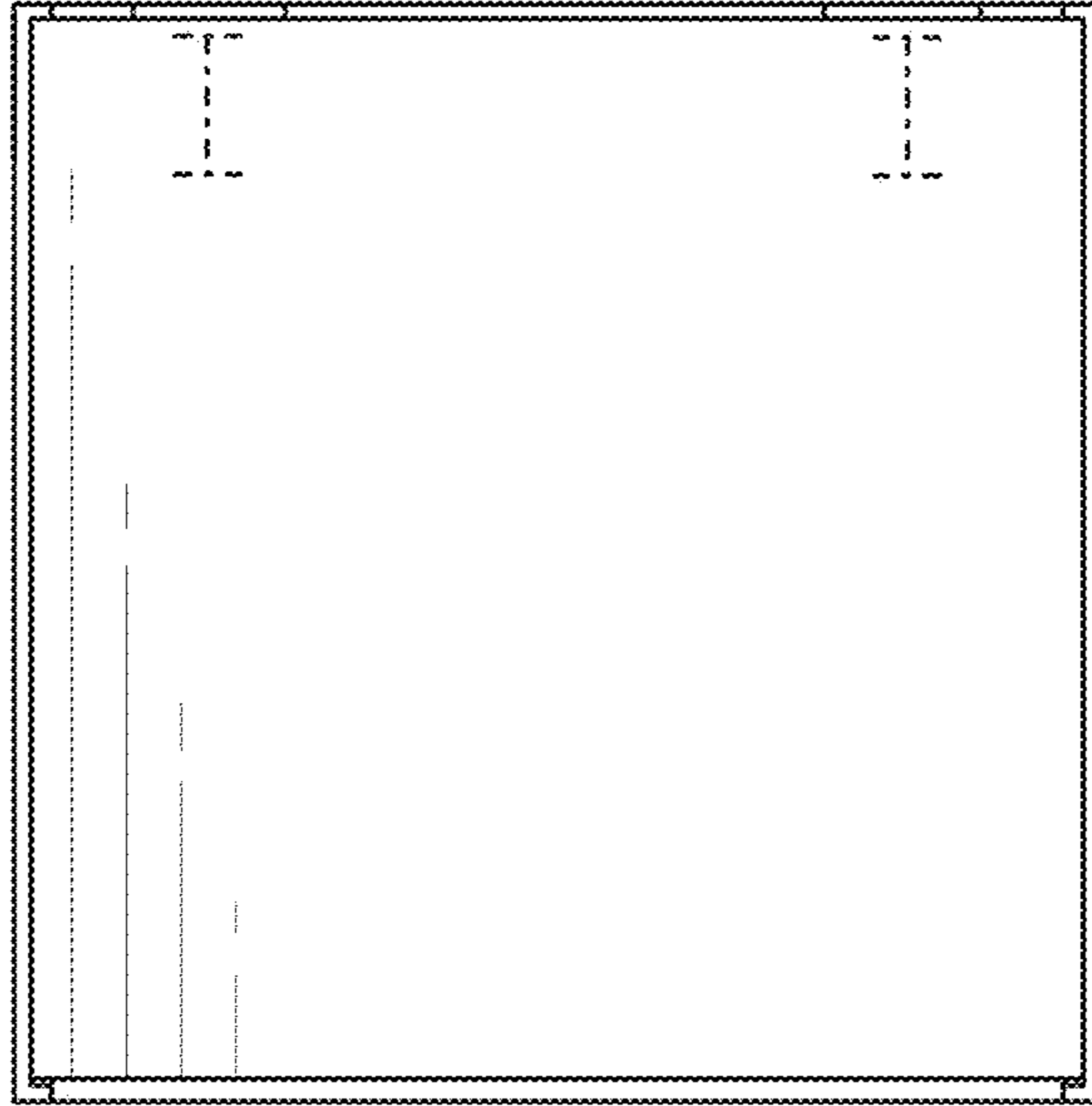


FIG. 3

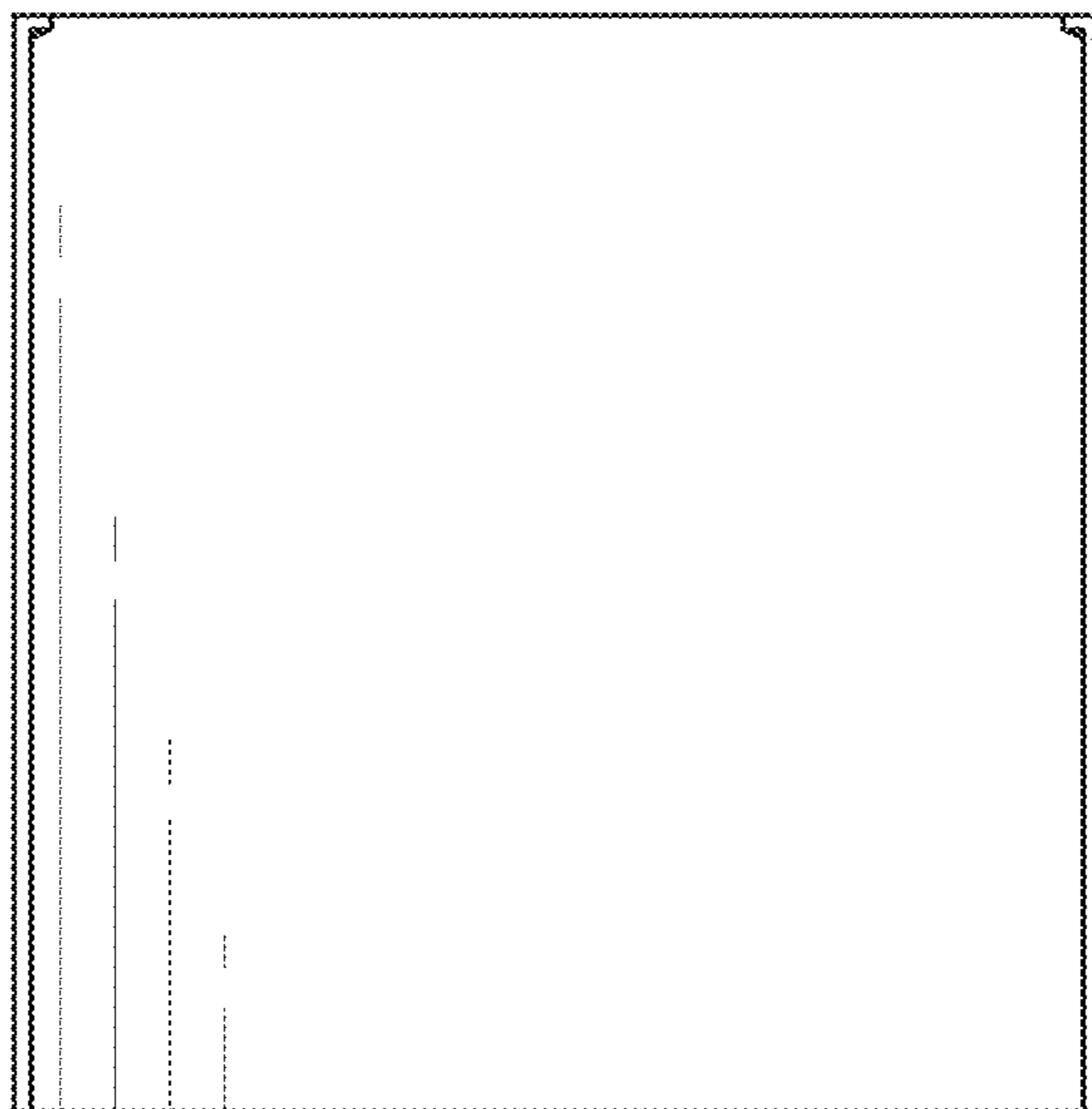


FIG. 4

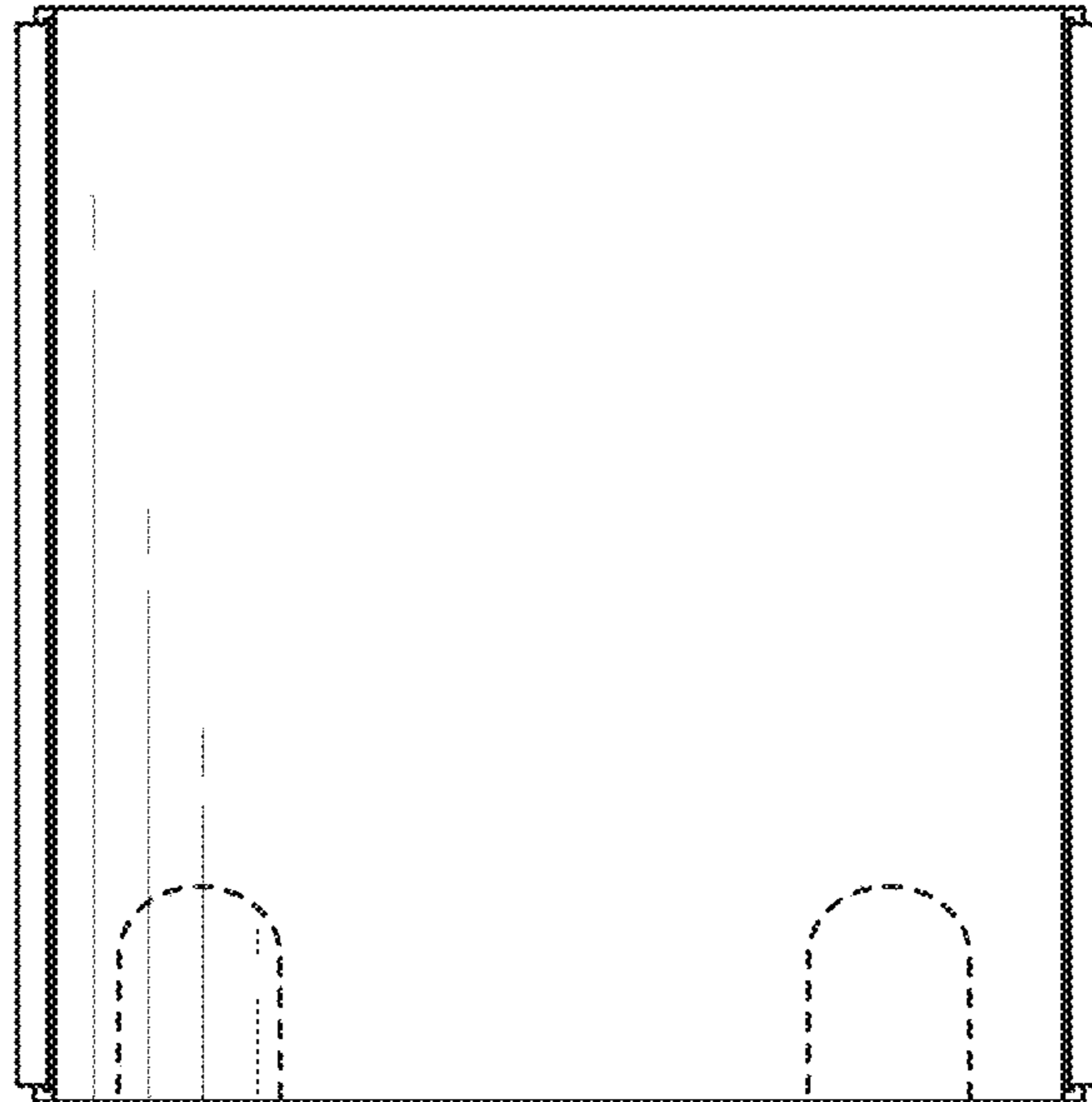


FIG. 5

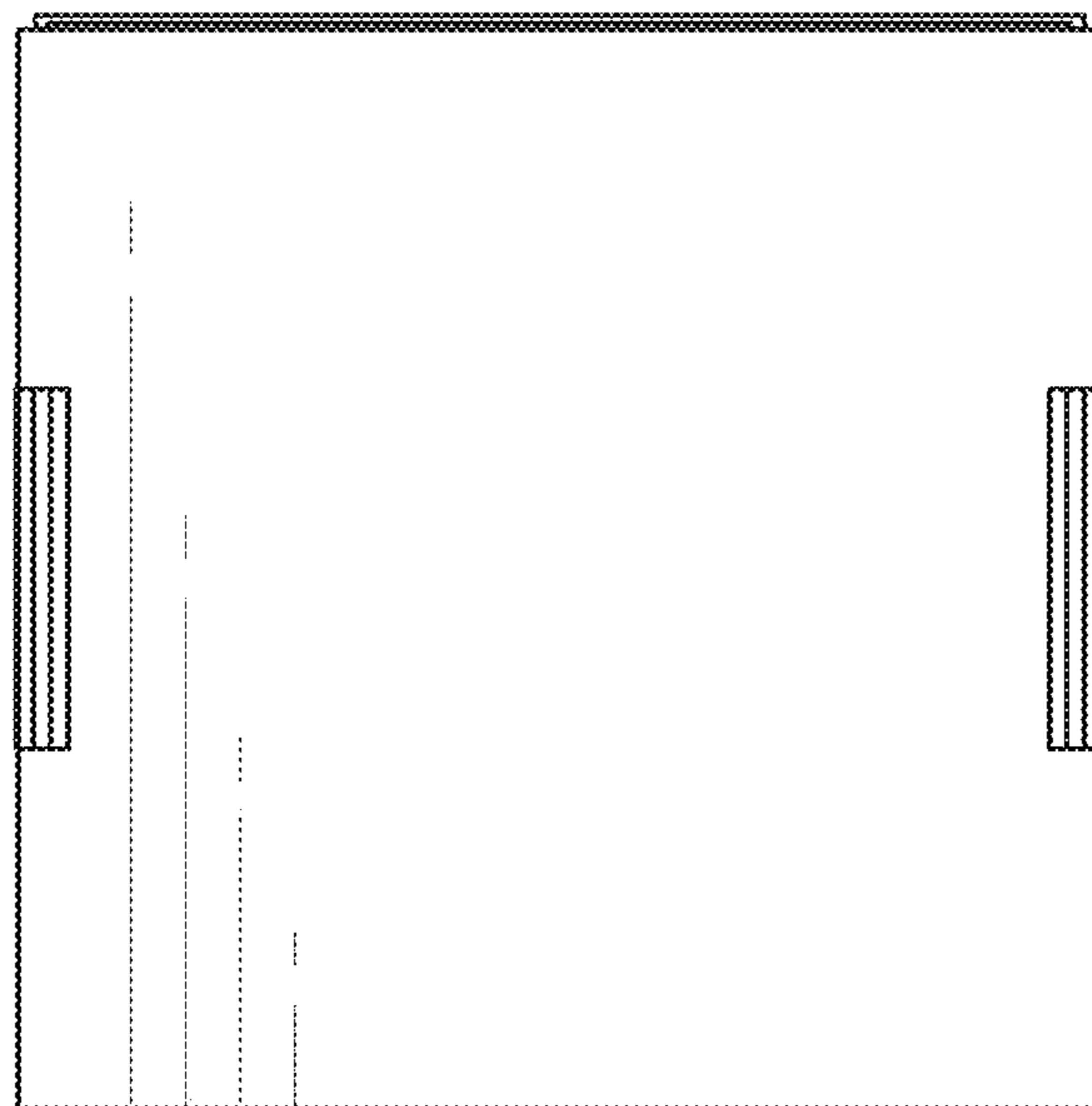


FIG. 6

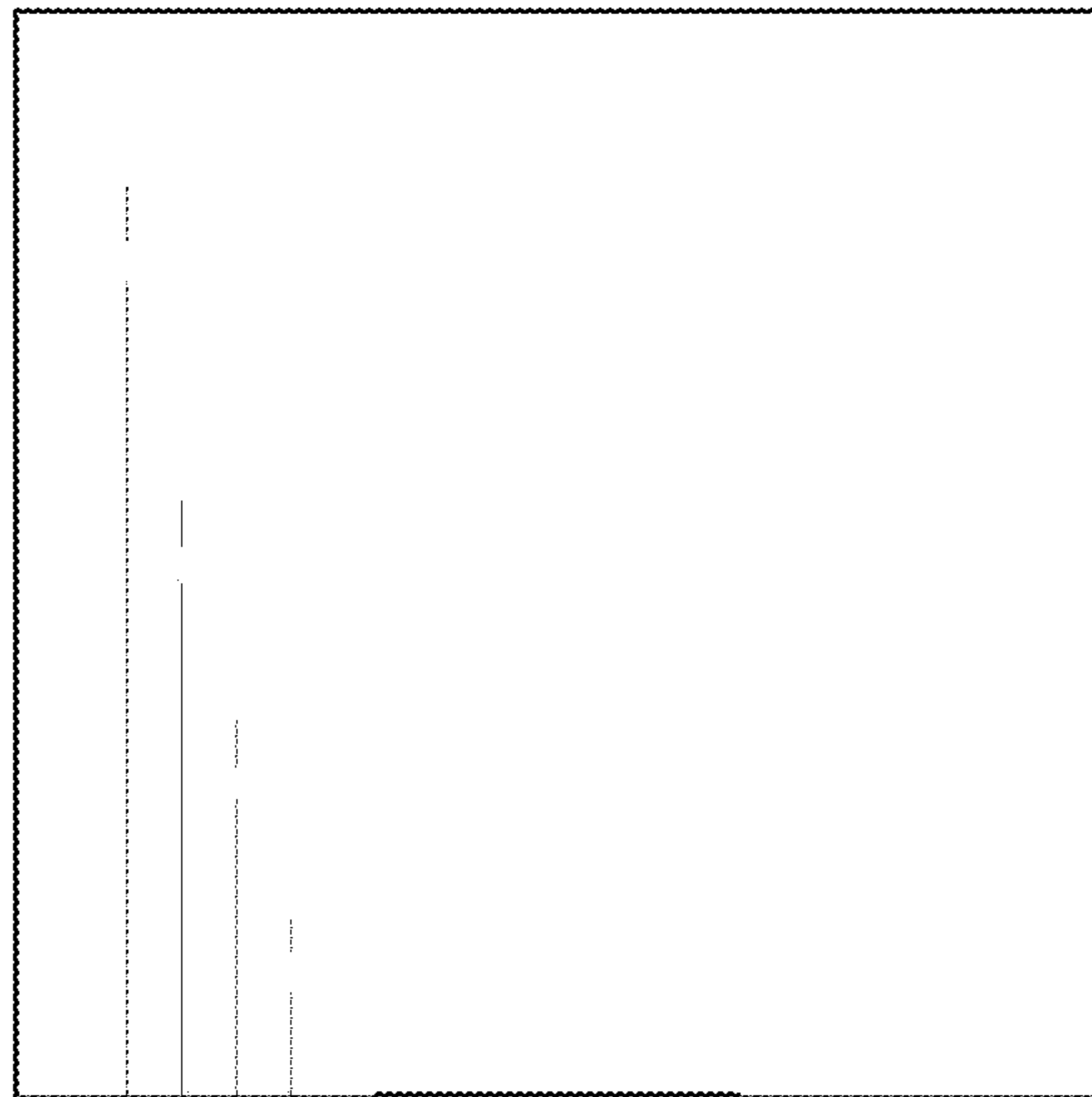


FIG. 7

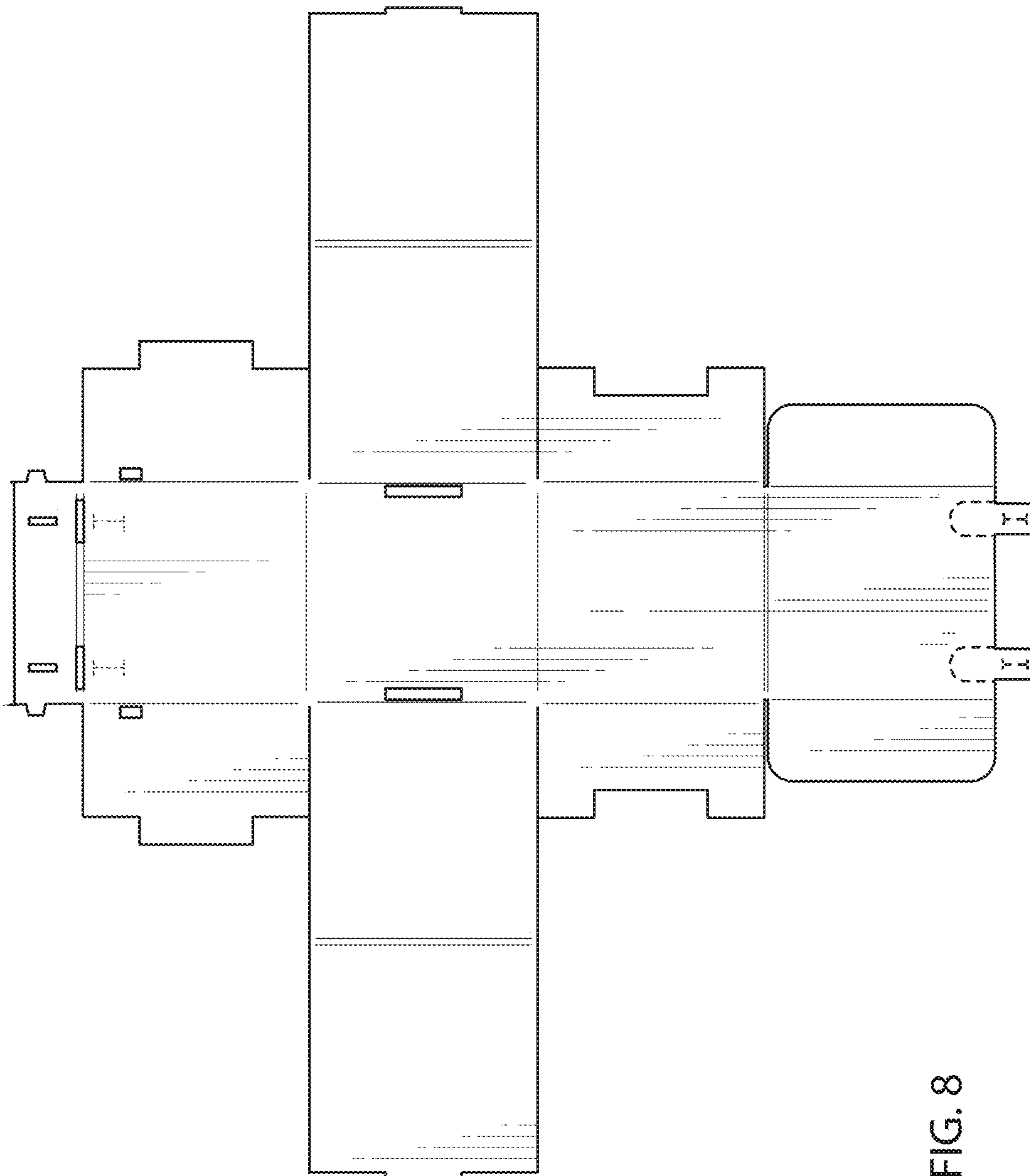


FIG. 8