



US00D914492S

(12) **United States Design Patent**
Linder et al.

(10) **Patent No.: US D914,492 S**

(45) **Date of Patent: ** *Mar. 30, 2021**

- (54) **RESILIENT FASTENER WASHER**
- (71) Applicant: **Curiteva, Inc.**, Tanner, AL (US)
- (72) Inventors: **Eric Linder**, Dublin, OH (US); **Ryan Heskett**, Wellington, FL (US)
- (73) Assignee: **Curiteva, Inc.**, Tanner, AL (US)
- (*) Notice: This patent is subject to a terminal disclaimer.
- (**) Term: **15 Years**
- (21) Appl. No.: **29/693,052**
- (22) Filed: **May 30, 2019**
- (51) **LOC (13) Cl. 08-08**
- (52) **U.S. Cl.**
USPC **D8/399**
- (58) **Field of Classification Search**
USPC D8/397, 394, 382, 349, 399; 411/376.2
CPC F16B 37/068; F16B 33/002; F01N 13/009
See application file for complete search history.

- 5,201,627 A * 4/1993 Biedenbach F16B 43/00
411/156
- D347,378 S * 5/1994 Warner D8/360
- D374,814 S * 10/1996 Saito D8/387
- D388,933 S * 1/1998 Hunter D34/39
- 6,228,087 B1 * 5/2001 Fenaroli A61B 17/809
606/104
- 6,231,606 B1 * 5/2001 Graf A61F 2/0811
606/232
- D448,659 S * 10/2001 Pamer D8/397
- D494,056 S * 8/2004 Clendenning D15/29
- D520,856 S * 5/2006 Osiecki D8/312
- D520,859 S * 5/2006 Osiecki D8/312
- D524,638 S * 7/2006 Berhow D8/387
- 7,112,025 B2 * 9/2006 Ward B21K 1/702
411/180
- D532,684 S * 11/2006 Barnes D8/397
- D539,117 S * 3/2007 Sealey D8/349
- 7,198,445 B2 * 4/2007 Kramer F16B 39/24
411/155

(Continued)

Primary Examiner — Cynthia R Underwood
(74) *Attorney, Agent, or Firm* — David L. King

(57) **CLAIM**

The ornamental design for a “resilient fastener washer”, as shown and described.

DESCRIPTION

FIG. 1 is a front perspective view of a resilient fastener washer showing our new, original and ornamental design; FIG. 2 is a top view; FIG. 3 is a bottom view; FIG. 4 is a front side view; the rear side view being a mirror image; FIG. 5 is a right side view; the left side view being a mirror image; and, FIG. 6 is a cross-section view thereof taken from line 6-6 in FIG. 2.

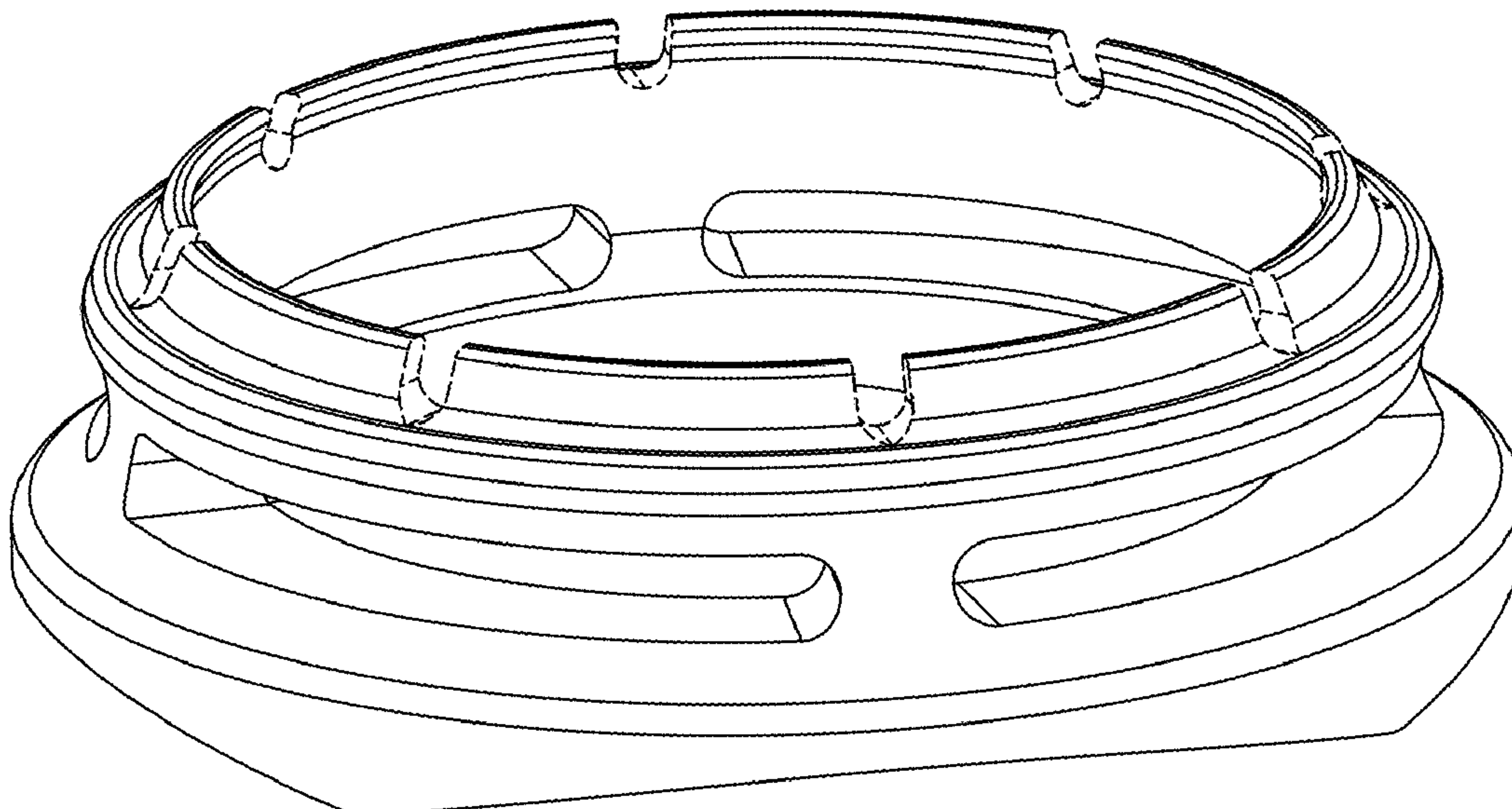
The broken lines indicate unclaimed features of the article and form no part of the claimed design.

1 Claim, 6 Drawing Sheets

(56) **References Cited**

U.S. PATENT DOCUMENTS

- D43,713 S * 3/1913 Campbell D8/397
- 1,547,162 A * 7/1925 Bohlman F16B 39/24
411/533
- 1,793,453 A * 2/1931 Barili F16B 39/24
411/156
- 3,062,557 A * 11/1962 Underwood F16B 43/001
277/630
- D198,713 S * 7/1964 Curtiss D8/397
- D217,540 S * 5/1970 Weise D8/397
- D281,953 S * 12/1985 Newman D8/397
- 4,690,599 A * 9/1987 Shinjo F16B 37/068
411/180
- 4,988,351 A * 1/1991 Paulos A61B 17/8625
606/232



(56)

References Cited

U.S. PATENT DOCUMENTS

D554,017	S *	10/2007	Hampton	D10/119.1
7,591,623	B2 *	9/2009	Parker	F16B 33/002
					411/180
7,597,515	B2 *	10/2009	Ward	F01N 13/009
					411/180
7,615,069	B2 *	11/2009	Paul	A61B 17/86
					606/287
D658,978	S *	5/2012	Linares	D8/399
D702,543	S *	4/2014	Bell	D8/397
D703,521	S *	4/2014	Haynes	D8/397
D709,369	S *	7/2014	van de Klippe	D9/440
D715,902	S *	10/2014	Malaker	D23/262
D717,408	S *	11/2014	Malaker	D23/262
8,888,429	B2 *	11/2014	Pamer	F16B 37/068
					411/181
D724,936	S *	3/2015	Coronado	D8/397
8,998,968	B1 *	4/2015	Brow	A61B 17/8605
					606/319
D741,158	S *	10/2015	Hasegawa	D8/387
D747,183	S *	1/2016	Davidson	D8/397
D795,682	S *	8/2017	Downs	D8/382
D871,201	S *	12/2019	Shinjo	D8/397
2005/0260061	A1 *	11/2005	Sung	F16B 43/00
					411/533

* cited by examiner

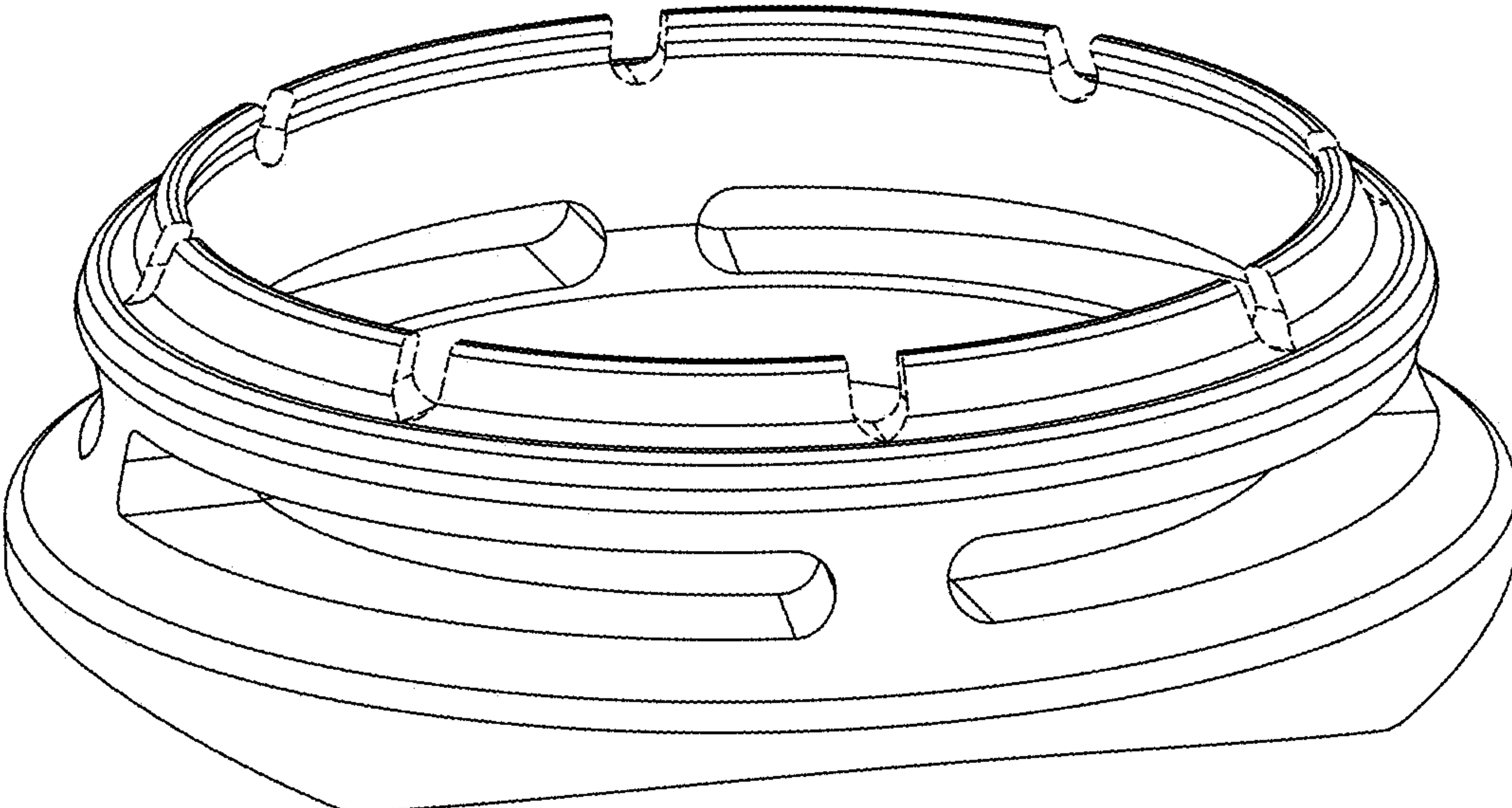


FIG. 1

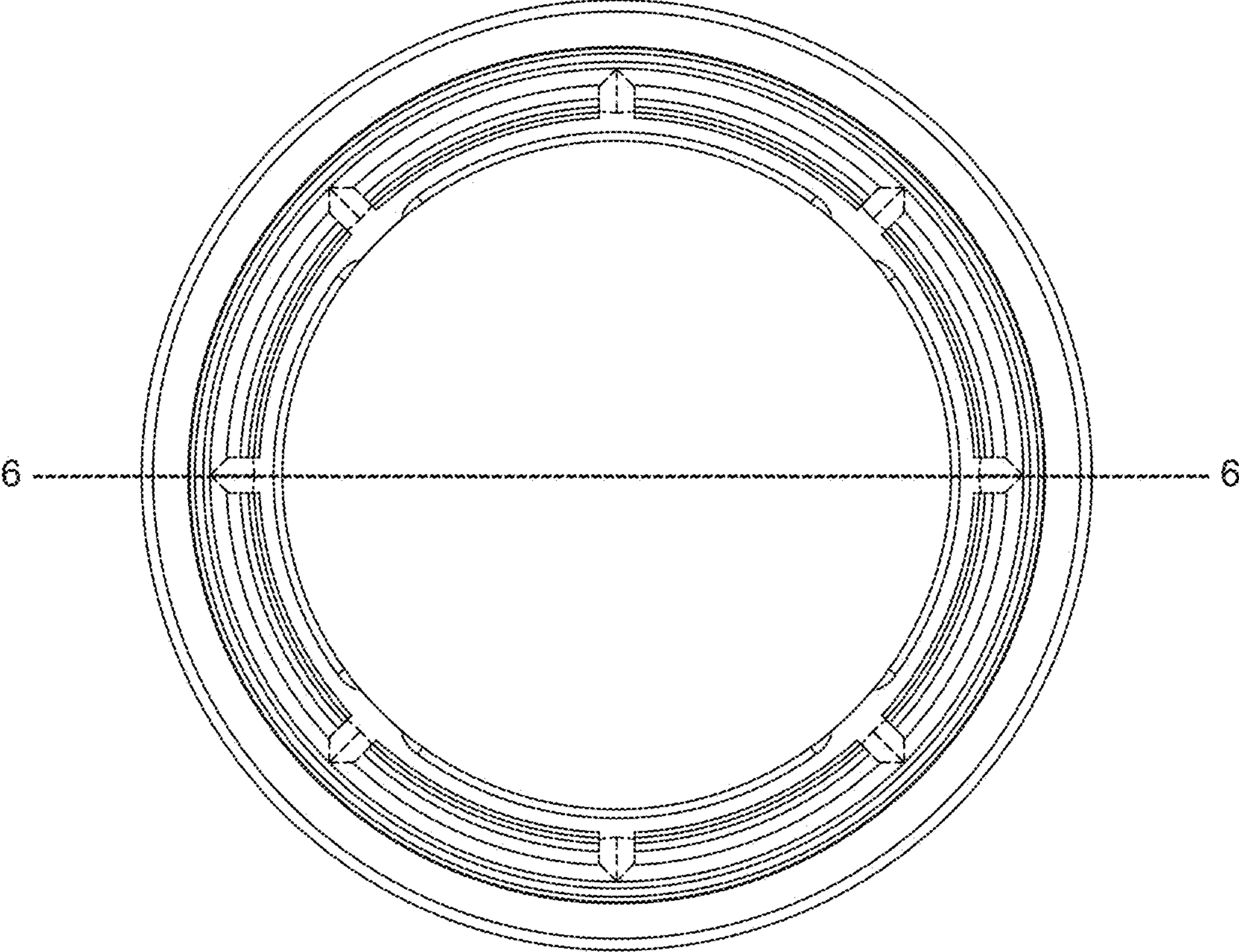


FIG. 2

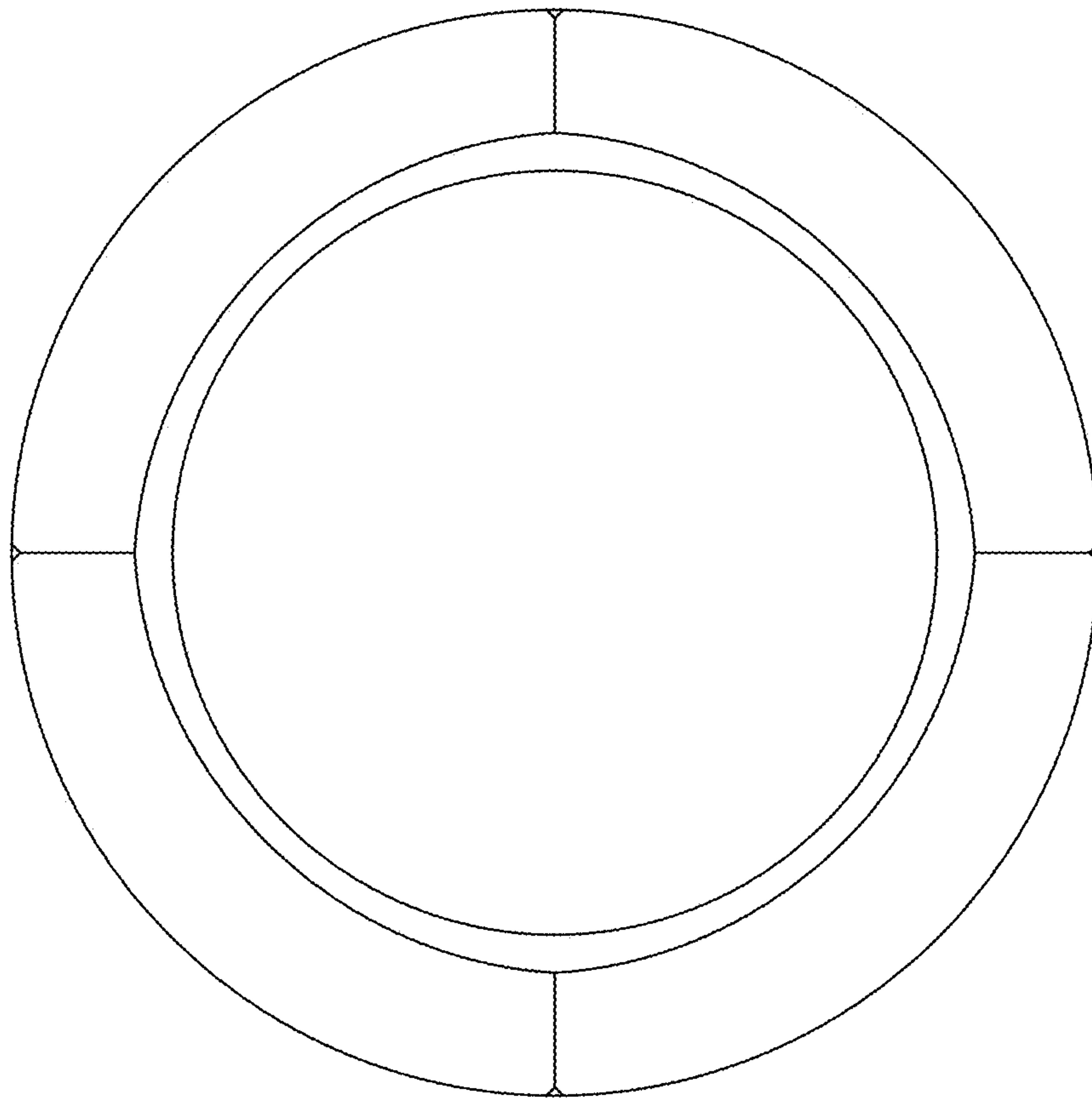


FIG. 3

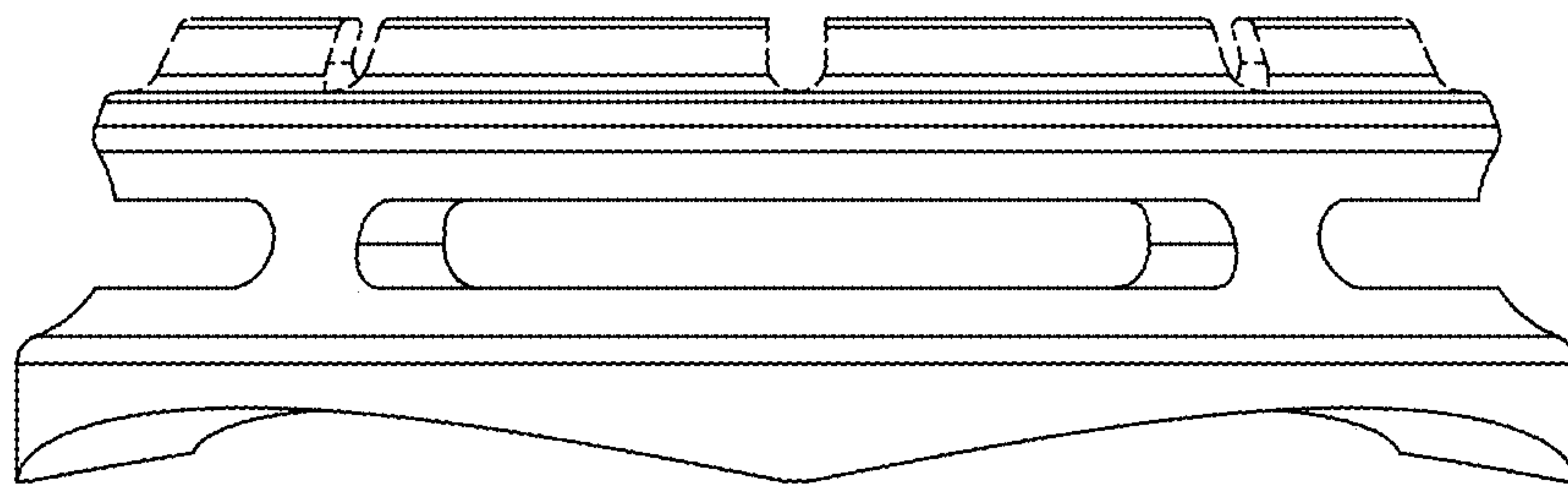


FIG. 4

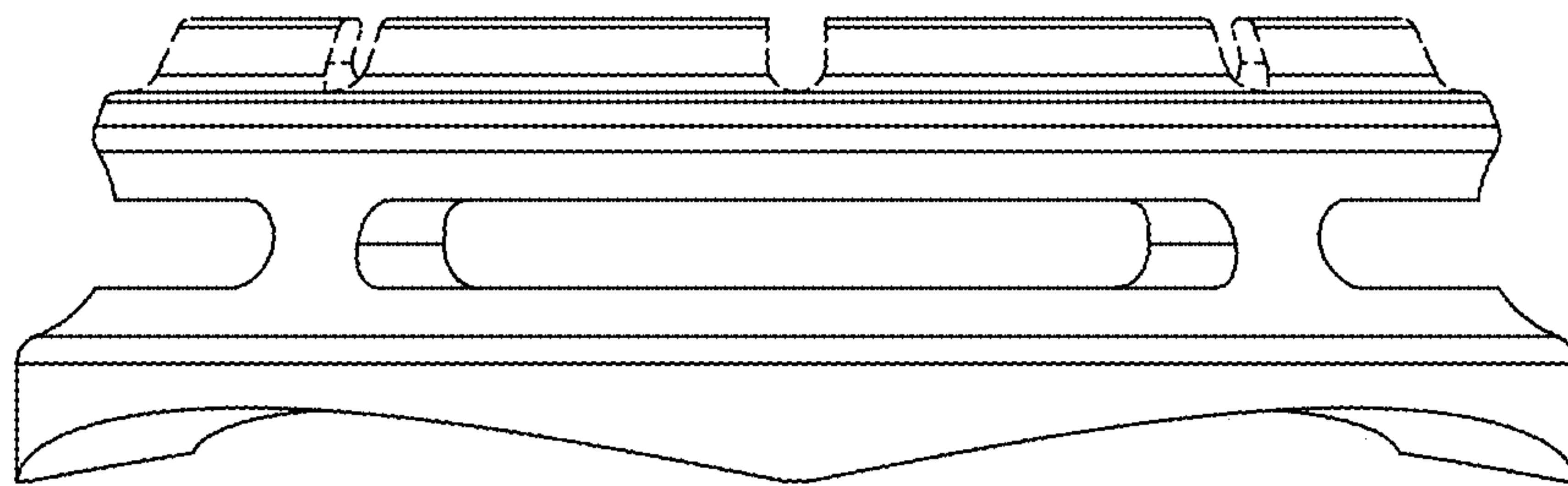


FIG. 5

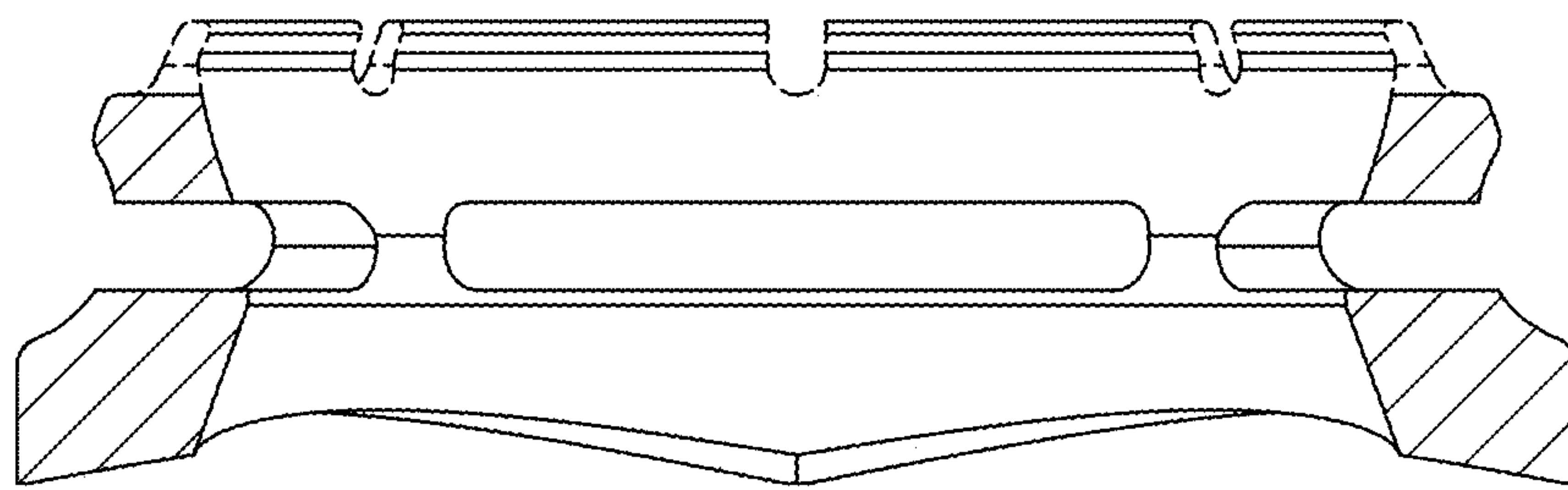


FIG. 6