



US00D914491S

(12) **United States Design Patent**
Daniels

(10) **Patent No.:** **US D914,491 S**
(45) **Date of Patent:** **** Mar. 30, 2021**

(54) **FASTENER FOR A CONVEYOR BELT**

FOREIGN PATENT DOCUMENTS

(71) Applicant: **Flexible Steel Lacing Company,**
Downers Grove, IL (US)

AU 125500 7/1947
CN 2199365 Y 5/1995

(Continued)

(72) Inventor: **William J. Daniels,** Orland Park, IL
(US)

OTHER PUBLICATIONS

(73) Assignee: **Flexible Steel Lacing Company,**
Downers Grove, IL (US)

U.S. Appl. No. 62/038,669, filed Aug. 18, 2014, William J. Daniels.
(Continued)

(**) Term: **15 Years**

Primary Examiner — Sandra Snapp

Assistant Examiner — Ieisha N Price

(21) Appl. No.: **29/732,450**

(74) *Attorney, Agent, or Firm* — Fitch, Even, Tabin &
Flannery LLP

(22) Filed: **Apr. 24, 2020**

Related U.S. Application Data

(62) Division of application No. 29/626,966, filed on Nov. 21, 2017, now Pat. No. Des. 882,382, which is a division of application No. 29/499,693, filed on Aug. 18, 2014, now Pat. No. Des. 808,253.

(57) **CLAIM**

I claim the ornamental design for a fastener for a conveyor belt, as shown and described.

(51) **LOC (13) Cl.** **08-08**

(52) **U.S. Cl.**
USPC **D8/382**

DESCRIPTION

(58) **Field of Classification Search**
USPC D8/323, 325, 349, 354, 356, 382, 383,
D8/394, 395, 499; D13/199; D15/199
CPC F16G 3/04; F16G 3/02; F16G 3/00; F16G
3/16; Y10T 24/16; Y10T 24/162; Y10T
24/1608; Y10T 24/1632; Y10T 24/1636;
Y10T 24/1616; Y10T 24/1644; Y10T
24/1672; Y10T 24/1648
See application file for complete search history.

FIG. 1 is a front perspective view of a fastener for a conveyor belt, showing my new design;
FIG. 2 is a right side elevational view thereof;
FIG. 3 is a left side elevational view thereof;
FIG. 4 is a top plan view thereof;
FIG. 5 is a bottom plan view thereof;
FIG. 6 is a front elevational view thereof;
FIG. 7 is a rear elevational view thereof; and,
FIG. 8 is a rear perspective view thereof showing the fastener for a conveyor belt interconnected with another fastener by a wire.

The broken lines in the drawings illustrate portions of the Fastener for a conveyor belt and form no part of the claimed design. The dot-dash-dot broken lines in the drawings define the bounds of the claimed design and form no part thereof.

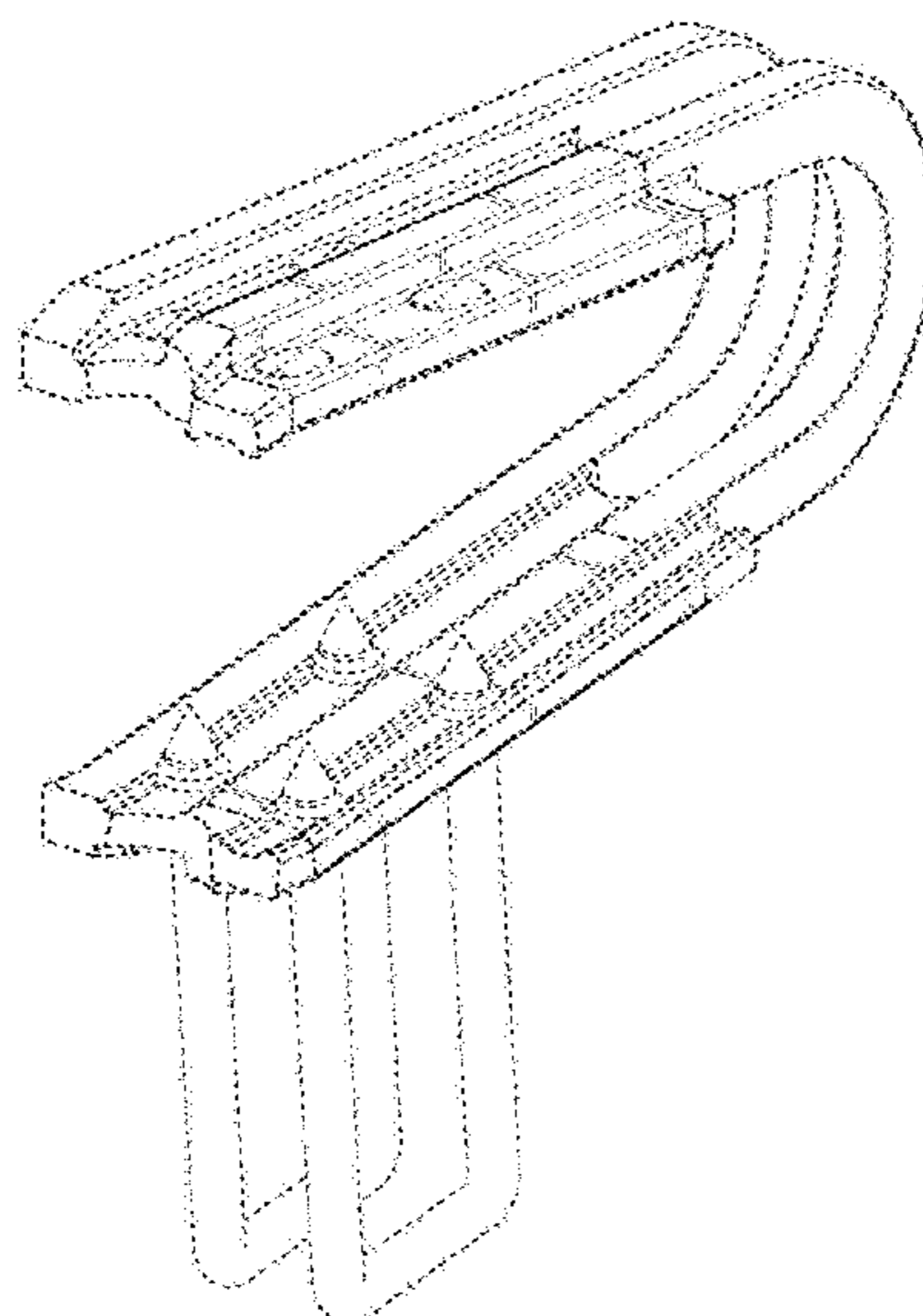
(56) **References Cited**

U.S. PATENT DOCUMENTS

1,361,083 A * 12/1920 Millar F16G 3/04
24/33 B

2,477,855 A 8/1949 Beach
(Continued)

1 Claim, 6 Drawing Sheets



(56)

References Cited

U.S. PATENT DOCUMENTS

3,107,406 A * 10/1963 Tebb F16G 3/04
24/33 C

3,327,358 A 6/1967 Schick
3,368,417 A 2/1968 Jenkins
3,962,754 A 6/1976 Stolz
4,023,239 A 5/1977 Stolz
4,050,138 A 9/1977 Stolz
4,060,877 A 12/1977 Schick
4,144,628 A 3/1979 Schick
4,151,634 A 5/1979 Stolz
4,212,094 A 7/1980 Pray
4,315,349 A 2/1982 Stolz
4,333,217 A 6/1982 Pray
4,538,755 A 9/1985 Schick
4,582,505 A 4/1986 Stolz
4,597,137 A 7/1986 Droppleman
4,620,657 A 11/1986 Gladding
4,653,156 A 3/1987 Stolz
4,671,403 A 6/1987 Schick
4,688,711 A 8/1987 Gladding et al.
4,858,280 A 8/1989 Schick
4,937,921 A 7/1990 Musil
4,942,645 A 7/1990 Musil
4,996,750 A 3/1991 Musil
5,025,968 A 6/1991 Nasiatka
5,095,590 A 3/1992 Schick
5,170,924 A 12/1992 Musil
5,182,933 A 2/1993 Schick
5,236,079 A 8/1993 Herold
5,341,545 A 8/1994 Herold
5,368,214 A 11/1994 Schick
5,539,959 A 7/1996 Schick
5,544,801 A 8/1996 Schick
5,553,359 A 9/1996 Herold
5,644,836 A 7/1997 Schick
5,645,159 A 7/1997 Luginbuhl
5,669,114 A 9/1997 Jakob
5,881,863 A 3/1999 Borner
5,884,369 A 3/1999 Schick
5,890,266 A 4/1999 Herold
6,053,308 A 4/2000 Vogrig
6,085,897 A 7/2000 Schick
6,196,378 B1 3/2001 Borner
6,216,851 B1 4/2001 Mitas
6,311,393 B1 11/2001 Garner
D513,964 S 1/2006 Overthun
D539,291 S 3/2007 Li Tao
D572,119 S 7/2008 Wells
9,556,930 B2 1/2017 Daniels
9,829,067 B2 11/2017 Daniels
D808,253 S 1/2018 Daniels
10,107,359 B2 10/2018 Daniels
D882,382 S 4/2020 Daniels
2002/0040841 A1 4/2002 Winkelman
2002/0139644 A1 10/2002 Herold
2010/0200374 A1 8/2010 Jakob
2012/0090965 A1 4/2012 Jakob
2012/0228170 A1 9/2012 Richardson
2013/0167356 A1 7/2013 Hagie

2013/0327112 A1 12/2013 Charre
2014/0182089 A1 7/2014 Jakob
2016/0047438 A1 2/2016 Daniels
2017/0138438 A1* 5/2017 Daniels F16G 3/16
2018/0100558 A1 4/2018 Jakob

FOREIGN PATENT DOCUMENTS

CN 2596103 Y 12/2003
CN 201133441 Y 10/2008
CN 201434047 Y 3/2010
CN 101270795 B 11/2010
CN 102116361 A 7/2011
CN 205423686 8/2016
CN 206092811 4/2017
DE 4012877 A1 10/1991
DE 4431835 C1 2/1996
FR 571613 A 2/1924
GB 1603544 A 11/1981
GB 2146730 A 4/1985
GB 2202605 A 9/1988
WO 2012072274 A1 6/2012
WO 2012103961 A1 8/2012
WO 2016028586 2/2016

OTHER PUBLICATIONS

Charter Wire, Charter Wire brochure, publicly available more than one year before Aug. 18, 2014, 5 pages.
Charter Wire, Near Net Shapes brochure, publicly available more than one year before Aug. 18, 2014, 8 pages.
Clipper-MATO Belt Fastening Systems for Mining Operations, publicly available more than one year before Aug. 18, 2014, 6 pages.
GORO, Titan brochure, publicly available more than one year before Aug. 18, 2014, 6 pages.
GORO, Titan Conveyor Belt Fastening System, 1980, 5 pages.
GORO, Titan H brochure, publicly available more than one year before Aug. 18, 2014, 12 pages.
MATO Mining Service, MATO Hingeless Belt Fastening System, publicly available more than one year before Aug. 18, 2014, 4 pages.
MATO, Belt Lacing-Systems brochure, publicly available more than one year before Aug. 18, 2014, 20 pages.
MATO, Hammer System MH30, publicly available more than one year before Aug. 18, 2014, 6 pages.
MATO, Standard System S30 brochure, publicly available more than one year before Aug. 18, 2014, 4 pages.
ML T Fasteners, publicly available more than one year before Aug. 18, 2014, 4 pages.
Scandura MATO, Belt Fasteners and Ancillary Conveyor Equipment brochure, publicly available more than one year before Aug. 18, 2014, 4 pages.
Website, GORO, Record V6 and Operating procedure, publicly available more than one year before Aug. 18, 2014, 3 pages.
Website, GORO, Titan Staggered and Titan 5, publicly available more than one year before Aug. 18, 2014, 2 pages.

* cited by examiner

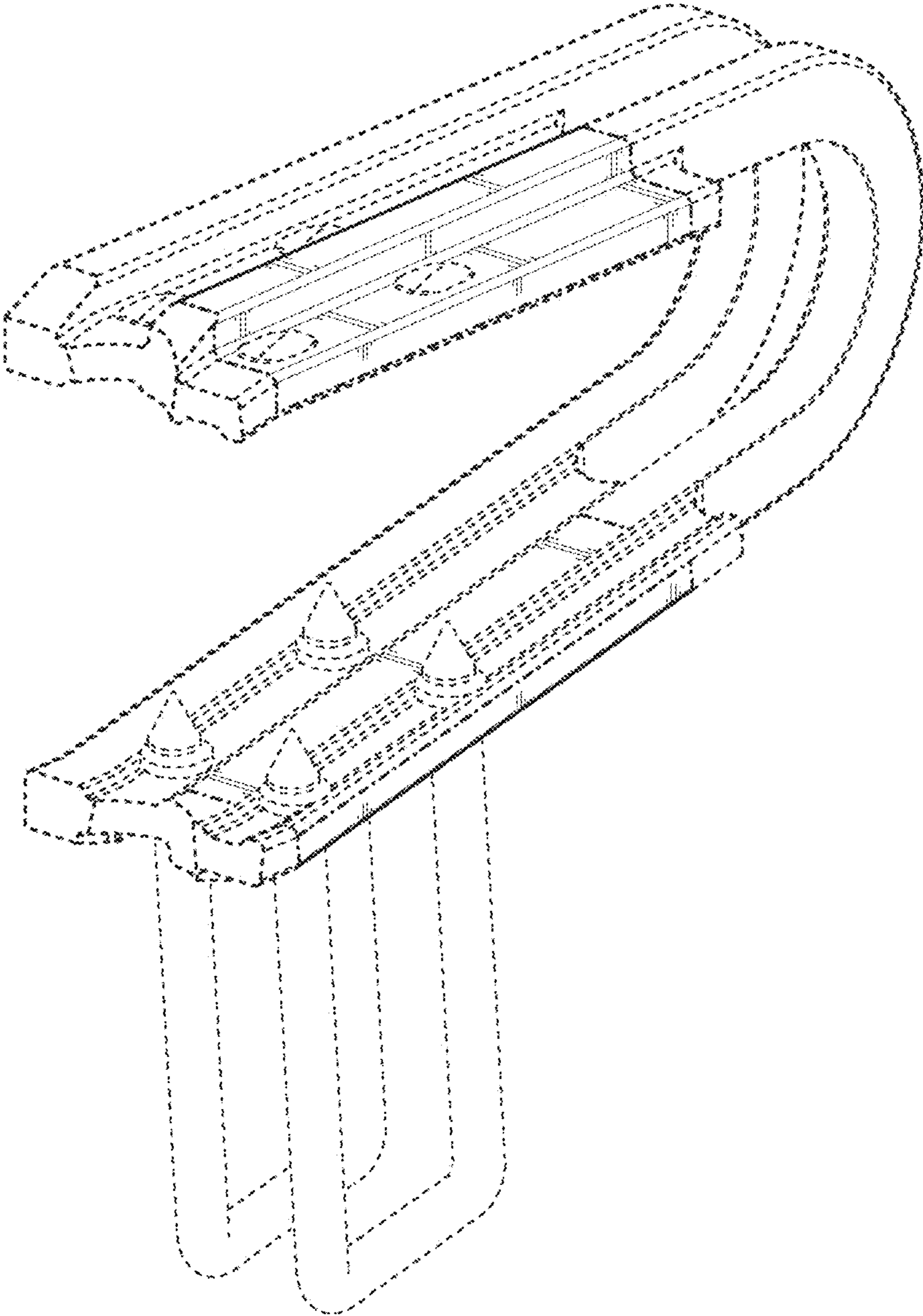


FIG. 1

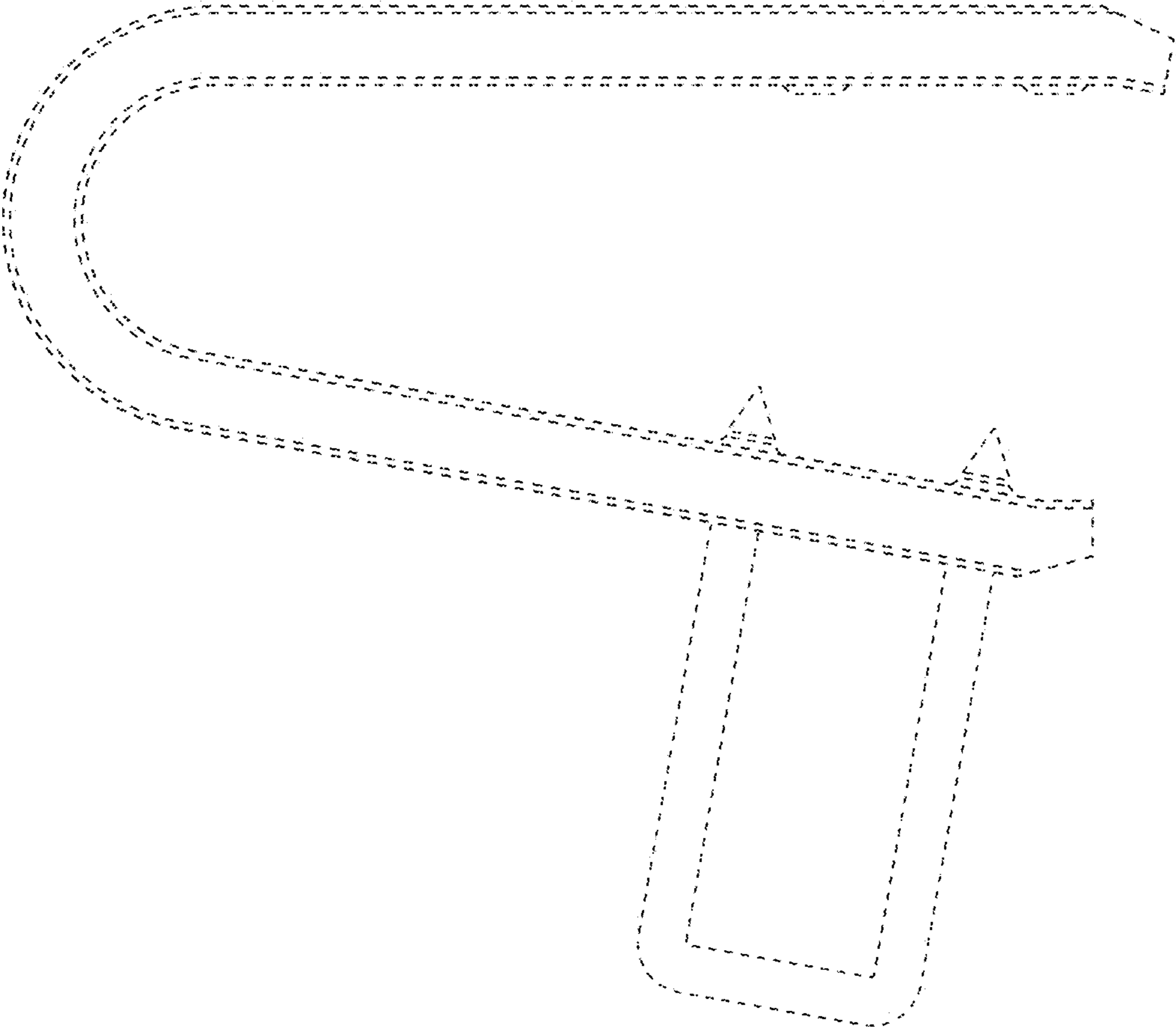


FIG. 2

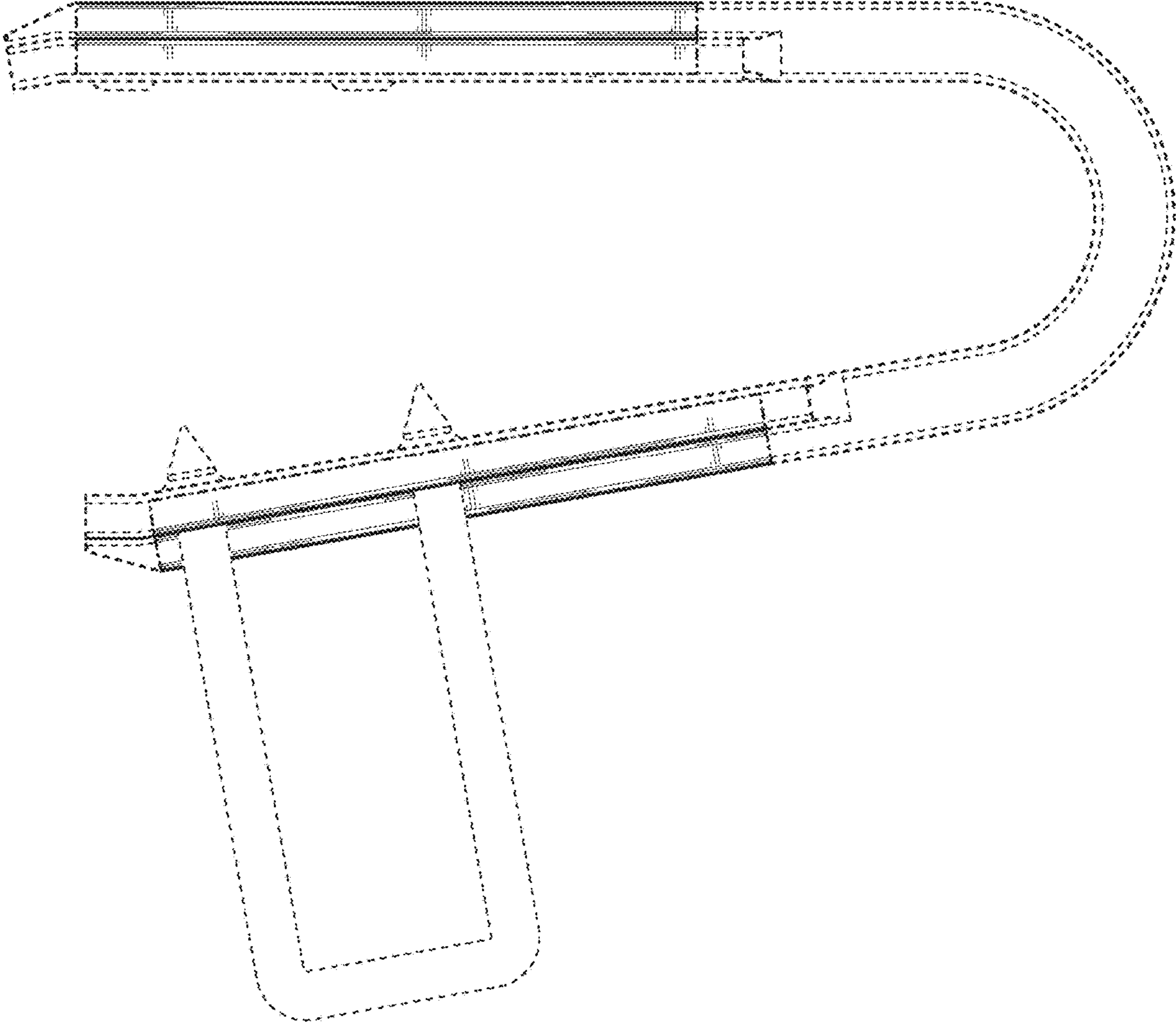


FIG. 3

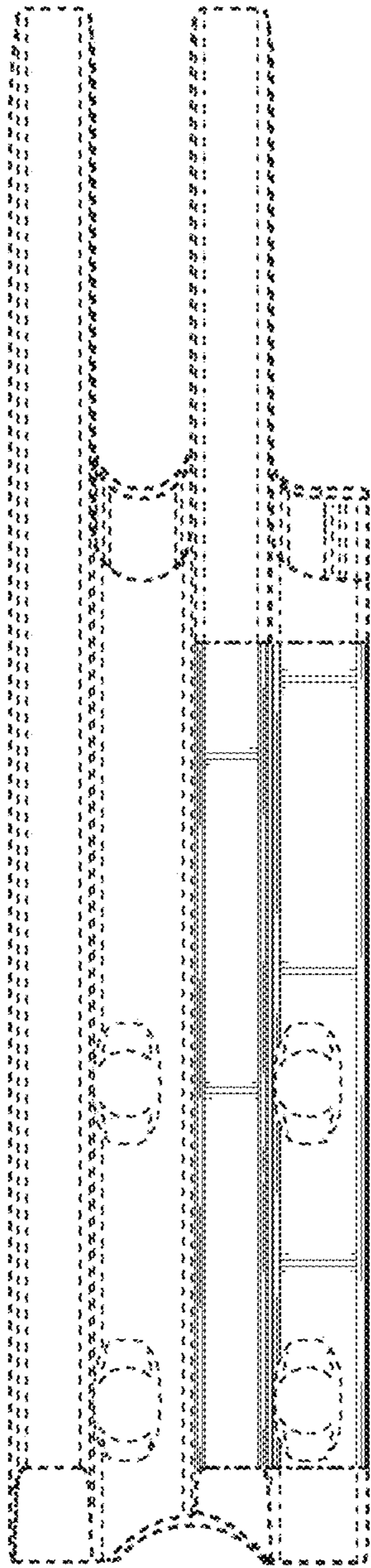


FIG. 4

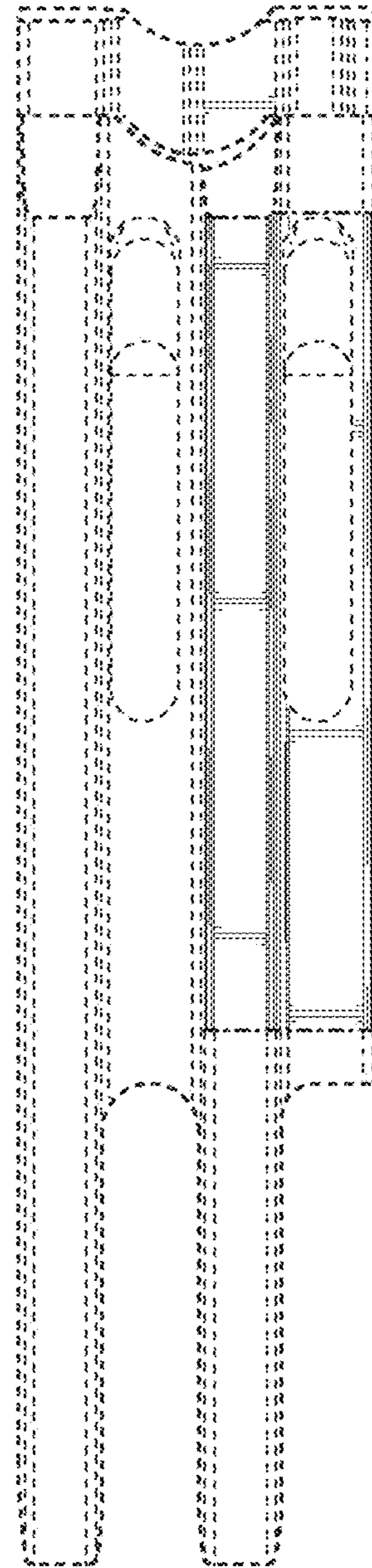


FIG. 5

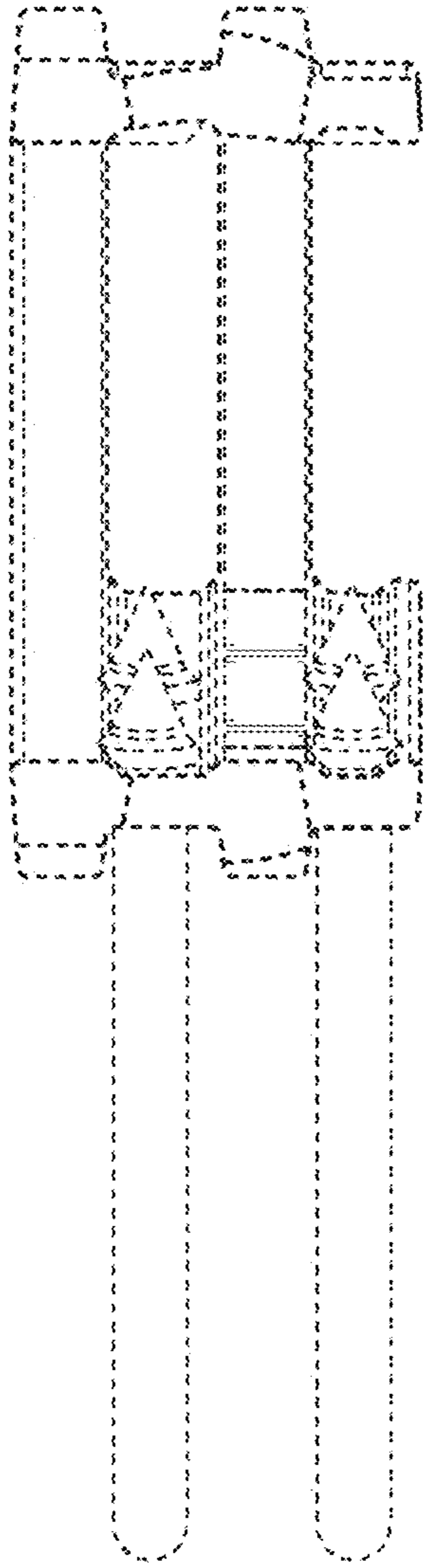


FIG. 6

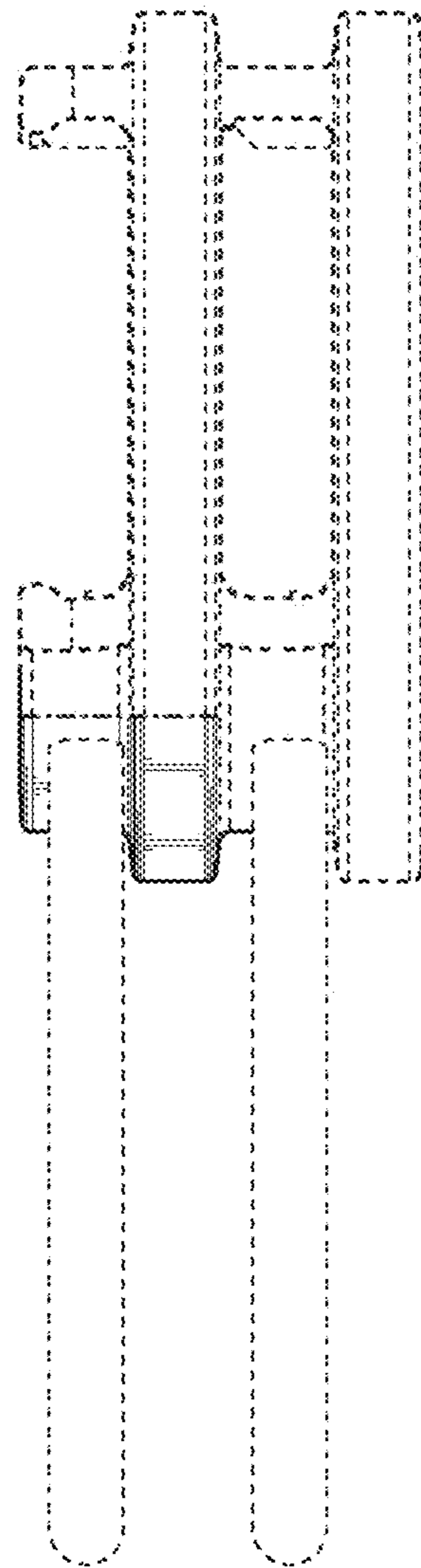


FIG. 7

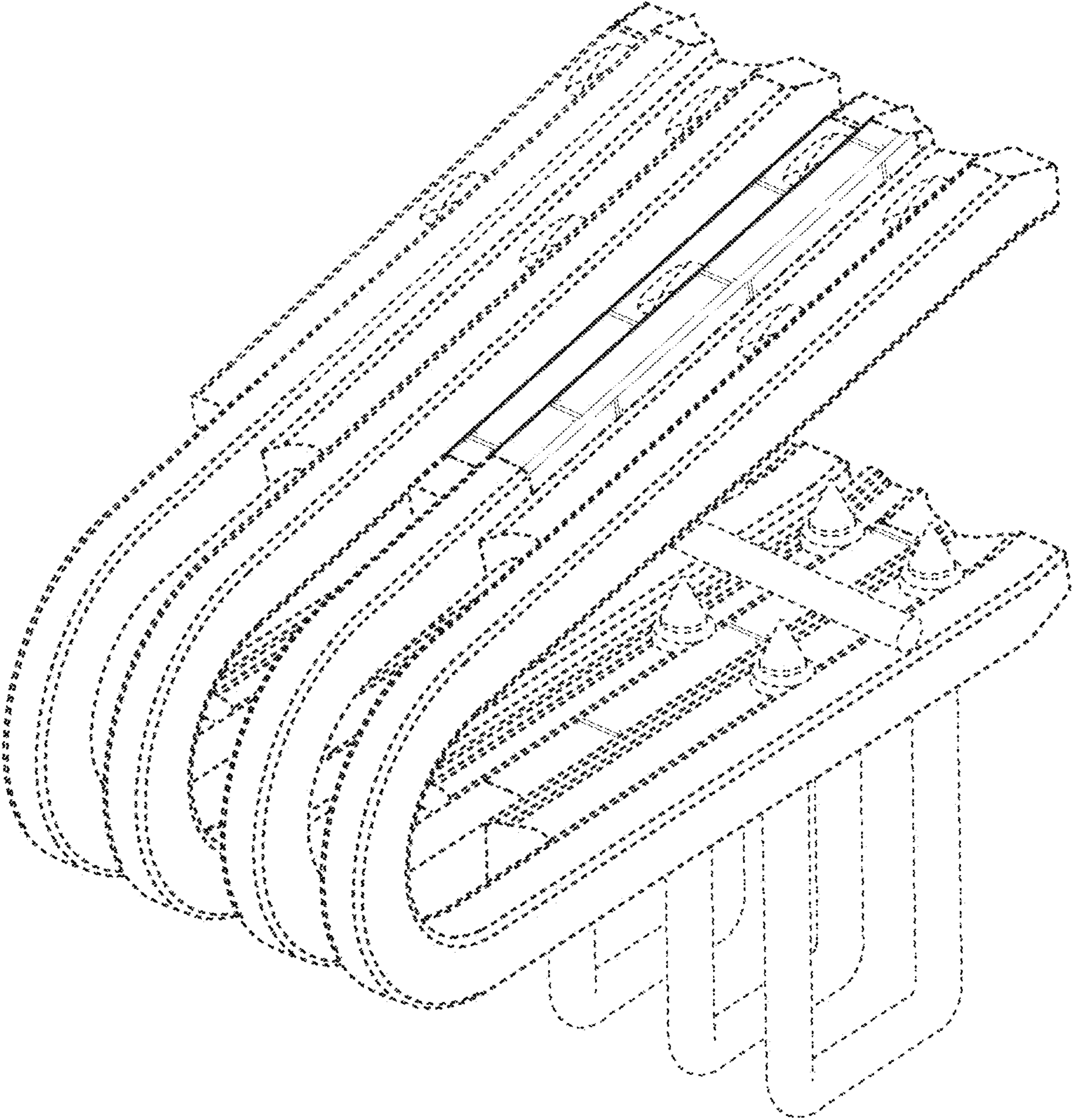


FIG. 8