



US00D914490S

(12) **United States Design Patent**  
**Mast et al.**

(10) **Patent No.:** **US D914,490 S**  
(45) **Date of Patent:** **\*\* Mar. 30, 2021**

(54) **CASTER**  
(71) Applicant: **Compagnie Generale des Etablissements Michelin, Clermont-Ferrand (FR)**  
(72) Inventors: **Christopher Mast, Greenville, SC (US); Patrick F King, Mauldin, SC (US)**  
(73) Assignee: **Compagnie Generale Des Etablissements Michelin, Clermont-Ferrand (FR)**

D568,726 S *	5/2008	Kohagen .....	D8/375
D593,847 S *	6/2009	Graffunder .....	D8/375
D600,104 S *	9/2009	Weber .....	D8/375
D641,612 S *	7/2011	Magill .....	D8/375
D650,658 S *	12/2011	Magill .....	D8/375
D653,526 S *	2/2012	Melara .....	D8/375
D733,541 S *	7/2015	Fan .....	D8/375
D735,022 S *	7/2015	Fan .....	D8/375
D770,539 S	11/2016	Mast	
D792,198 S *	7/2017	Cmich .....	D8/375
D802,930 S *	11/2017	Morszeck .....	D3/318
D804,939 S *	12/2017	Starck .....	D8/375

\* cited by examiner

*Primary Examiner* — Mark A Goodwin

(74) *Attorney, Agent, or Firm* — Neal P. Pierotti

(\*\*) Term: **15 Years**

(21) Appl. No.: **29/686,614**

(22) Filed: **Apr. 5, 2019**

(51) **LOC (13) Cl.** ..... **08-05**

(52) **U.S. Cl.**  
USPC ..... **D8/375; D15/17; D12/501**

(58) **Field of Classification Search**  
USPC ..... D8/375; D15/14–18, 11, 28; D12/207, D12/208, 501, 209, 500, 570, 605, 210, D12/592, 135, 204  
CPC ..... B60C 2007/107; B60C 2007/146; B60C 7/22; B60C 7/00; B60C 7/12; B60B 9/26; B60B 9/00; B60B 9/04; B60B 33/00; B60B 33/0002; B60B 33/0028; B60B 33/049; B60B 33/042; B60B 33/068; B29C 41/37; B29C 41/042; B29D 30/02

See application file for complete search history.

(56) **References Cited**

**U.S. PATENT DOCUMENTS**

D470,748 S *	2/2003	Tsai .....	D8/375
D492,894 S *	7/2004	Cheng .....	D8/375
D496,259 S *	9/2004	Cheng .....	D8/375
D568,575 S *	5/2008	Walstrom .....	D34/31

(57) **CLAIM**

The ornamental design for a caster, as shown and described.

**DESCRIPTION**

FIG. 1 is a perspective view of a caster showing our new design;

FIG. 2 is a front elevation view of the caster of FIG. 1;

FIG. 3 is a back elevation view of the caster of FIG. 1;

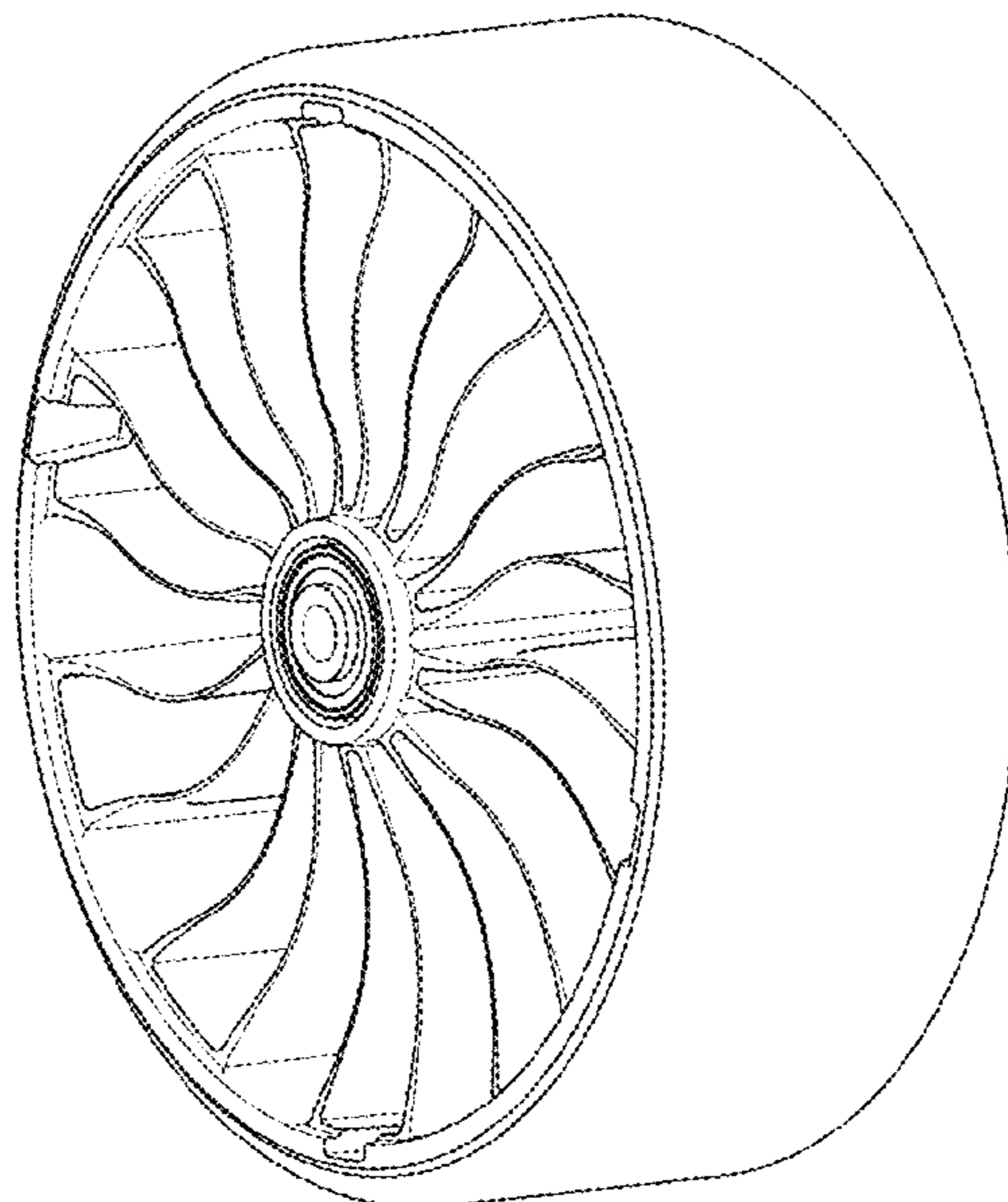
FIG. 4 is a right side elevation view of the caster of FIG. 1;

FIG. 5 is a left side elevation view of the caster of FIG. 1;

FIG. 6 is a top plan view of the caster of FIG. 1; and,

FIG. 7 is a bottom plan view of the caster of FIG. 1.

**1 Claim, 7 Drawing Sheets**



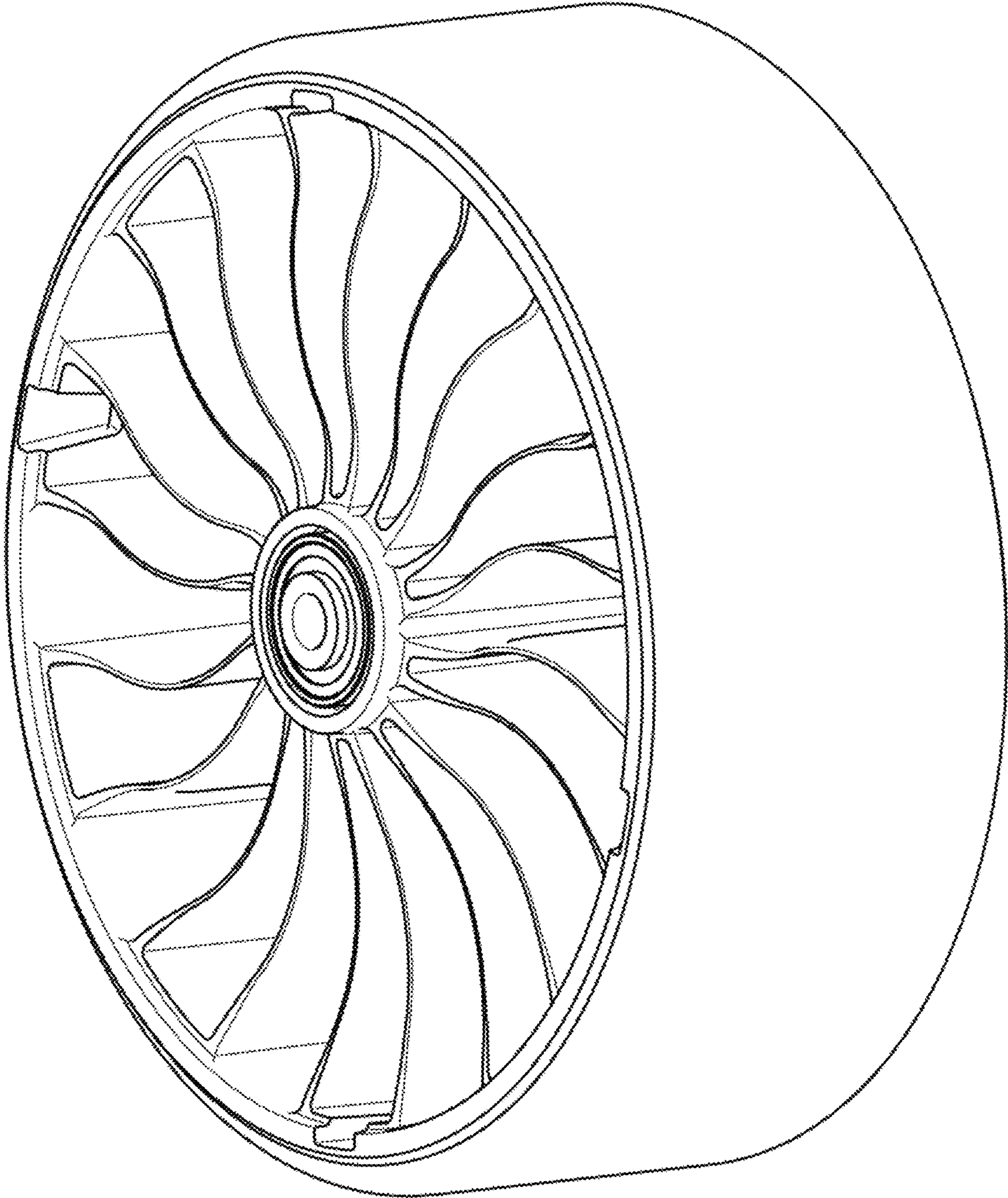


FIG. 1

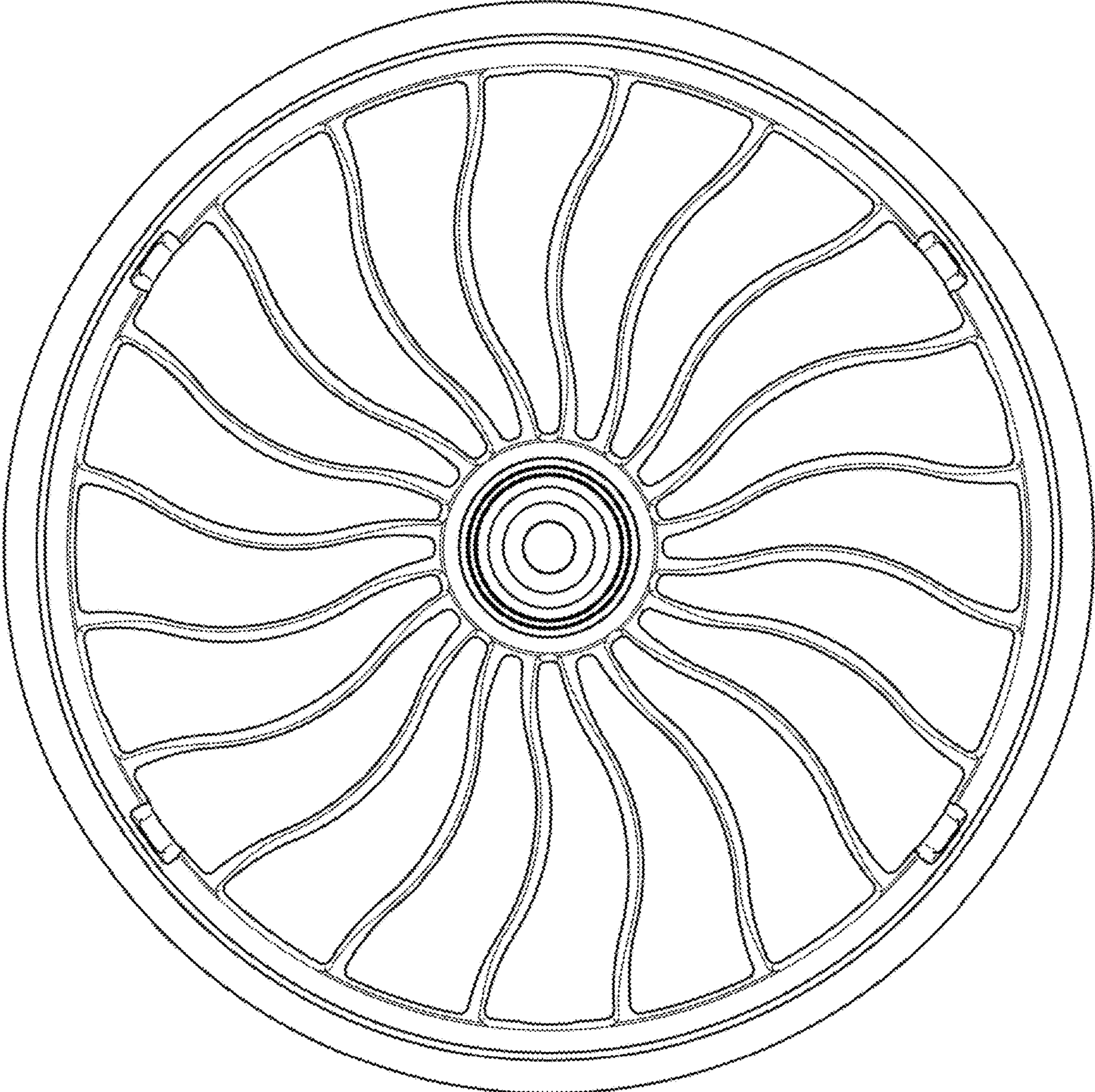


FIG. 2

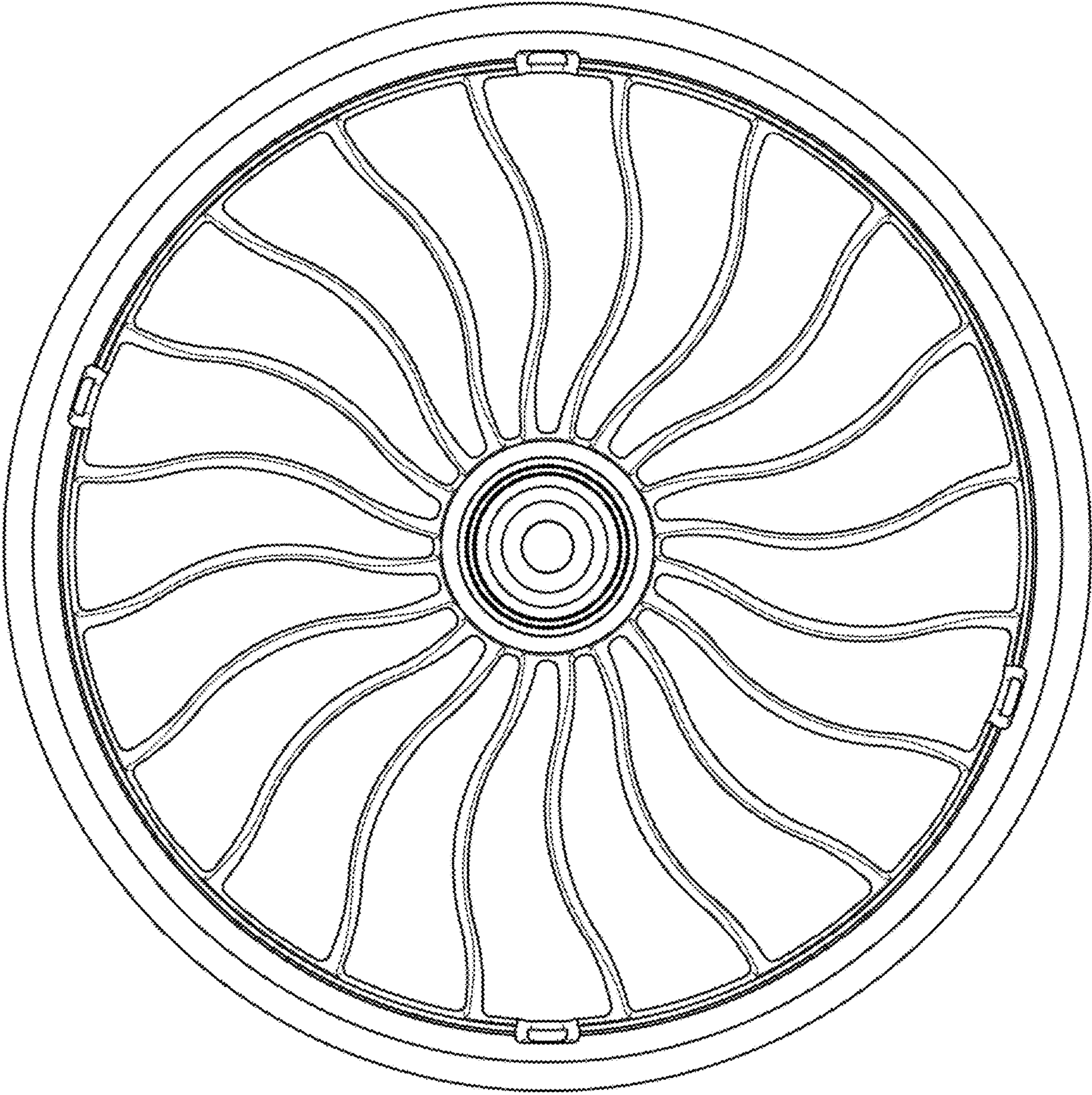


FIG. 3

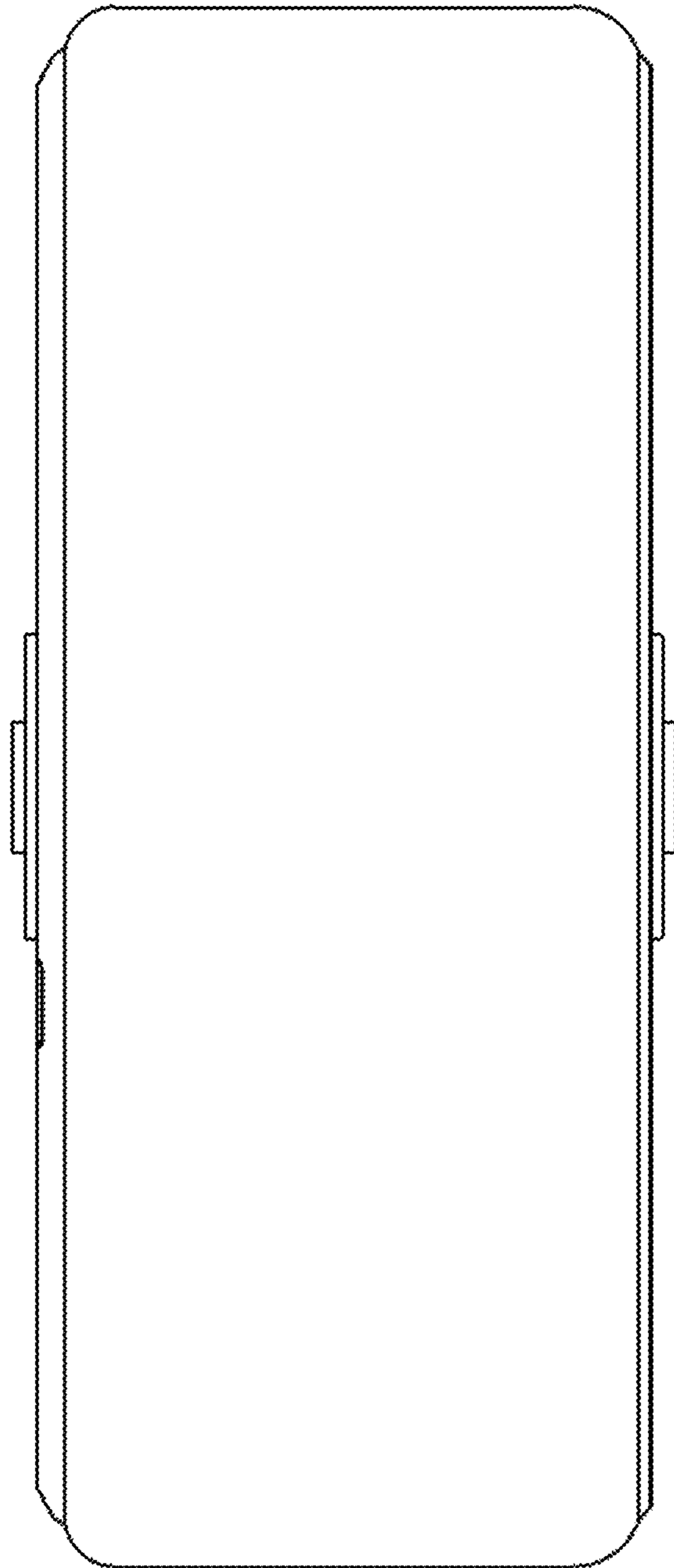


FIG. 4

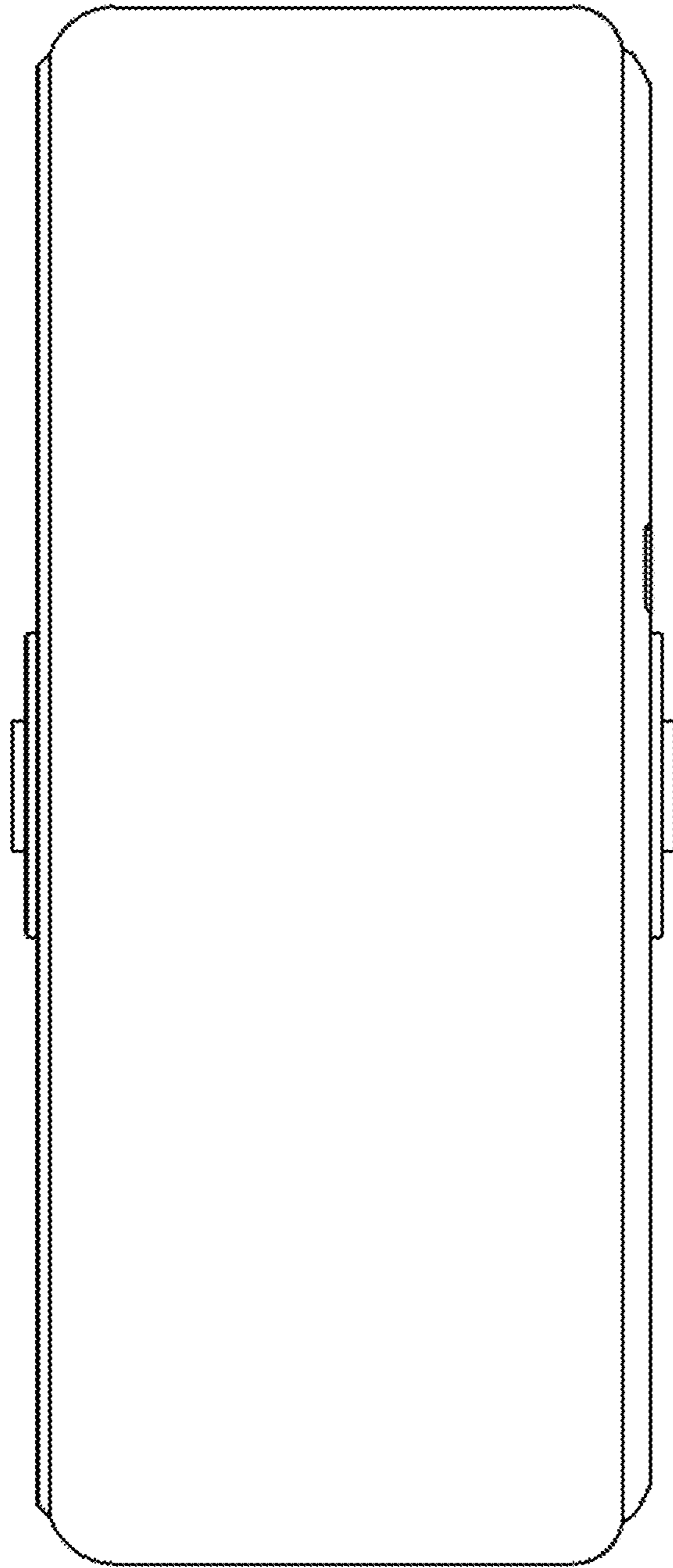


FIG. 5

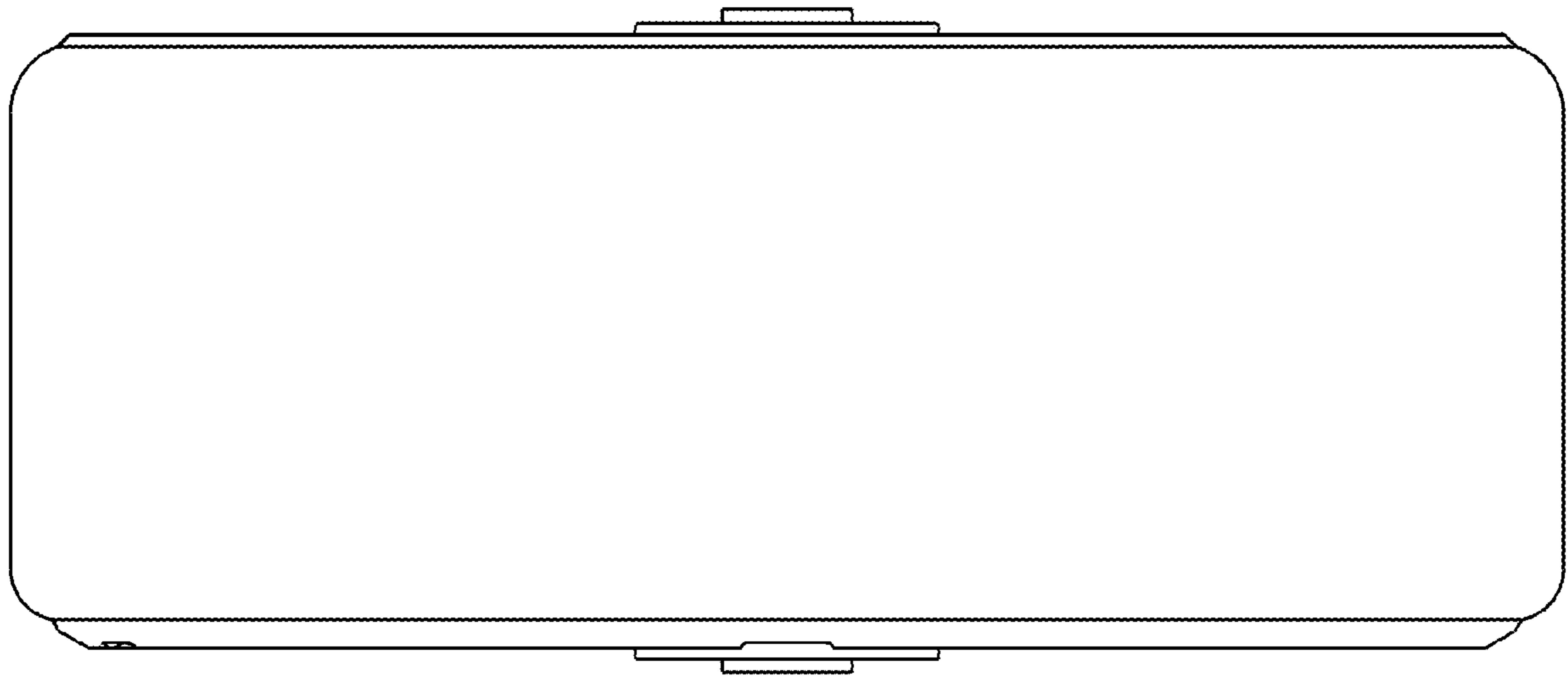


FIG. 6

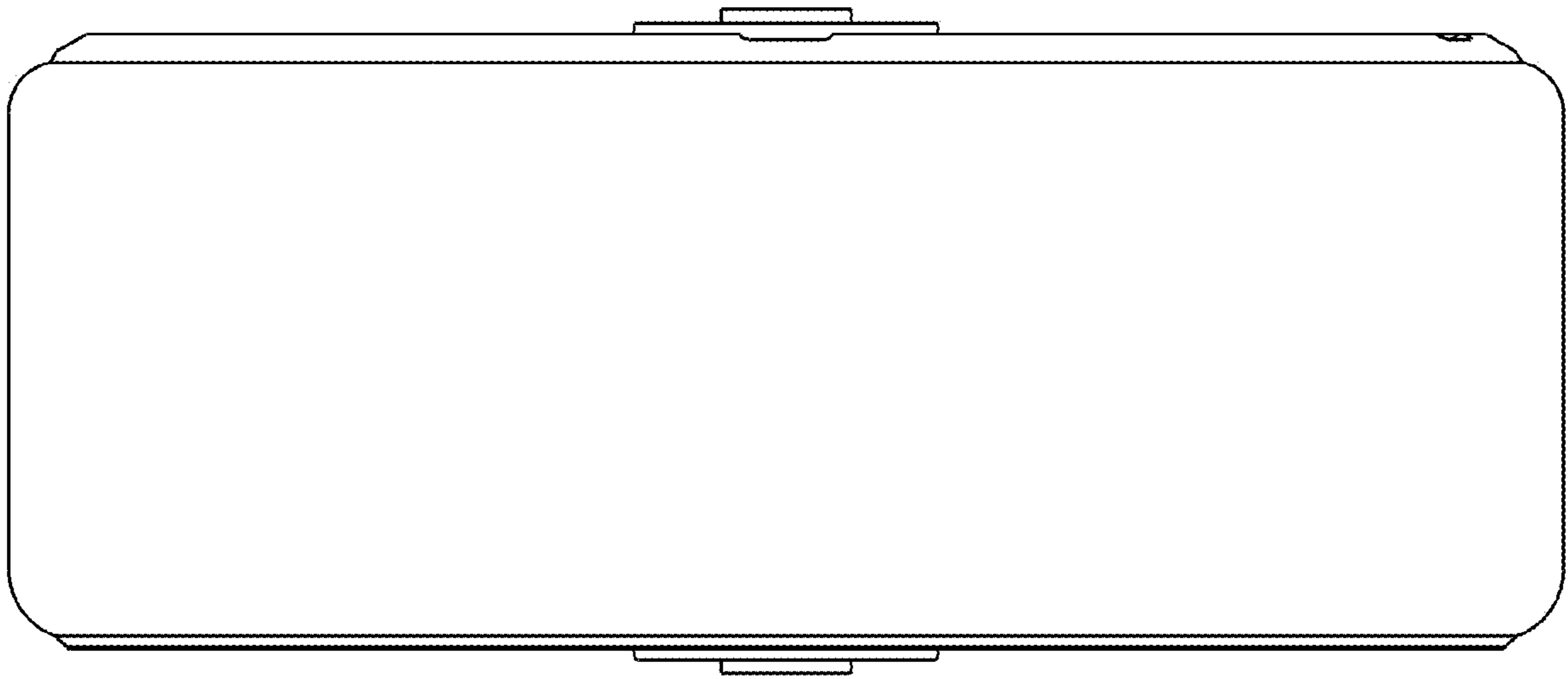


FIG. 7