



US00D914487S

(12) **United States Design Patent** (10) **Patent No.:** **US D914,487 S**
Rong (45) **Date of Patent:** **** Mar. 30, 2021**

- (54) **FRAME ELEMENT**
- (71) Applicant: **Zhijun Rong**, Guangdong (CN)
- (72) Inventor: **Zhijun Rong**, Guangdong (CN)
- (73) Assignee: **Shenzhen Century-Star Audio & Visuals Co., Ltd**, Shenzhen (CN)
- (**) Term: **15 Years**
- (21) Appl. No.: **29/740,880**
- (22) Filed: **Jul. 8, 2020**
- (51) **LOC (13) Cl.** **08-05**
- (52) **U.S. Cl.**
USPC **D8/355**
- (58) **Field of Classification Search**
USPC D25/60, 61; D8/349, 354, 355
CPC G03B 21/58; G03B 21/56; A47G 5/00
See application file for complete search history.

(56) **References Cited**

U.S. PATENT DOCUMENTS

D251,451 S	3/1979	Toder	
D312,315 S	11/1990	Westphal	
D555,720 S	11/2007	Gant et al.	
D583,219 S *	12/2008	Dagg	D8/349
D765,882 S	9/2016	Deleu	
D865,222 S *	10/2019	Cai	D25/61
D879,326 S *	3/2020	Hendry	D25/61
2003/0227675 A1 *	12/2003	Stumpfl	G03B 21/58 359/443
2005/0200951 A1 *	9/2005	Redmon	G03B 21/58 359/443
2010/0079860 A1 *	4/2010	Unno	G03B 21/58 359/443

2010/0238544 A1 *	9/2010	Elliott	G03B 21/58 359/443
2011/0304823 A1 *	12/2011	Wensing	E04F 10/0692 353/15
2012/0140318 A1 *	6/2012	Wang	G03B 21/58 359/443
2017/0059981 A1 *	3/2017	Yu	G03B 21/58
2019/0049834 A1 *	2/2019	Mathieson	G03B 21/58
2019/0120422 A1 *	4/2019	Zhang	G03B 21/58
2020/0292930 A1 *	9/2020	Long	A47G 5/00
2020/0341363 A1 *	10/2020	Redmon	G03B 21/58

* cited by examiner

Primary Examiner — Llorelys Martinez

(57) **CLAIM**

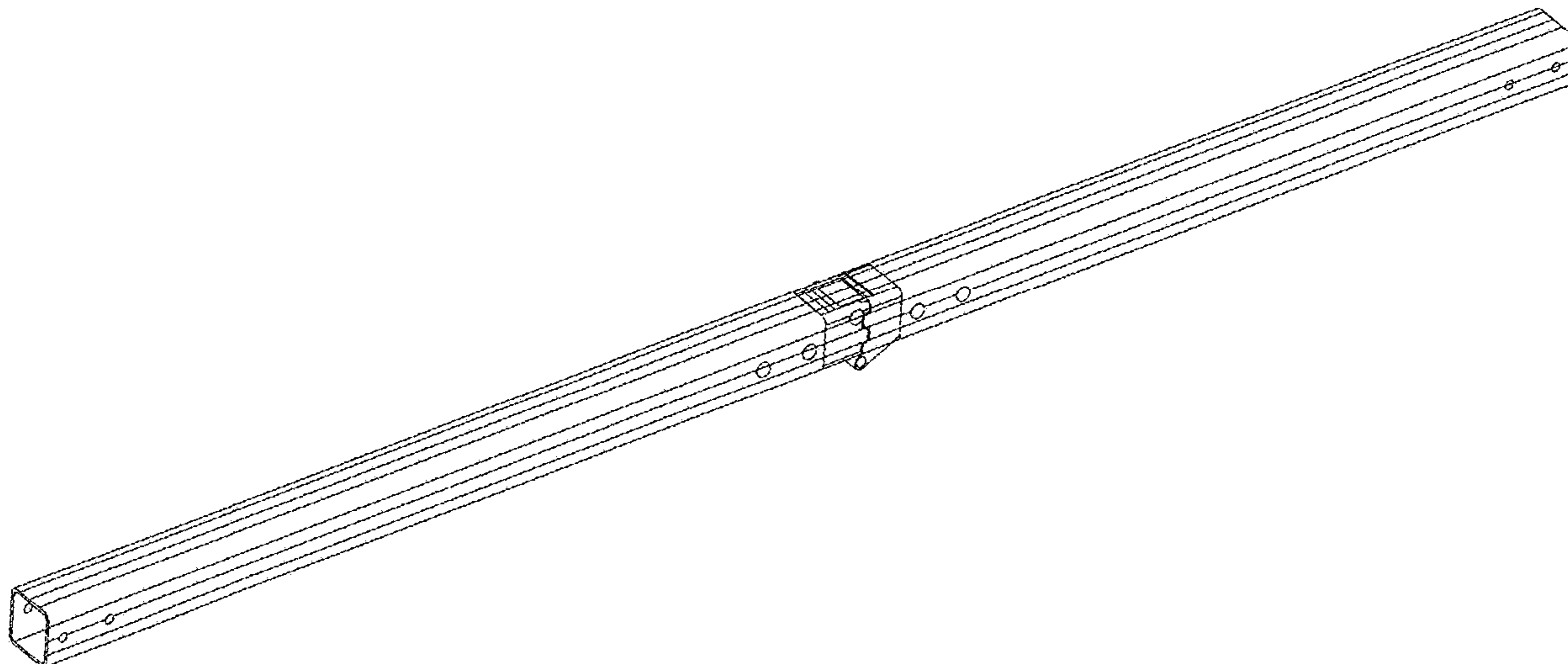
The ornamental design for a frame element, as shown and described.

DESCRIPTION

FIG. 1 is a perspective view of a frame element showing my new design;
 FIG. 2 is a front elevation view thereof;
 FIG. 3 is an enlarged view of the rectangular area in FIG. 2;
 FIG. 4 is a rear elevation view thereof;
 FIG. 5 is an enlarged view of the rectangular area in FIG. 4;
 FIG. 6 is an enlarged left side elevation view thereof;
 FIG. 7 is an enlarged right side elevation view thereof;
 FIG. 8 is a top plan view thereof;
 FIG. 9 is an enlarged view of the rectangular area in FIG. 8;
 FIG. 10 is a bottom plan view thereof; and,
 FIG. 11 is an enlarged view of the rectangular area in FIG. 10.

The broken lines in the drawings illustrate portions of the frame element that form no part of the claimed design.

1 Claim, 4 Drawing Sheets



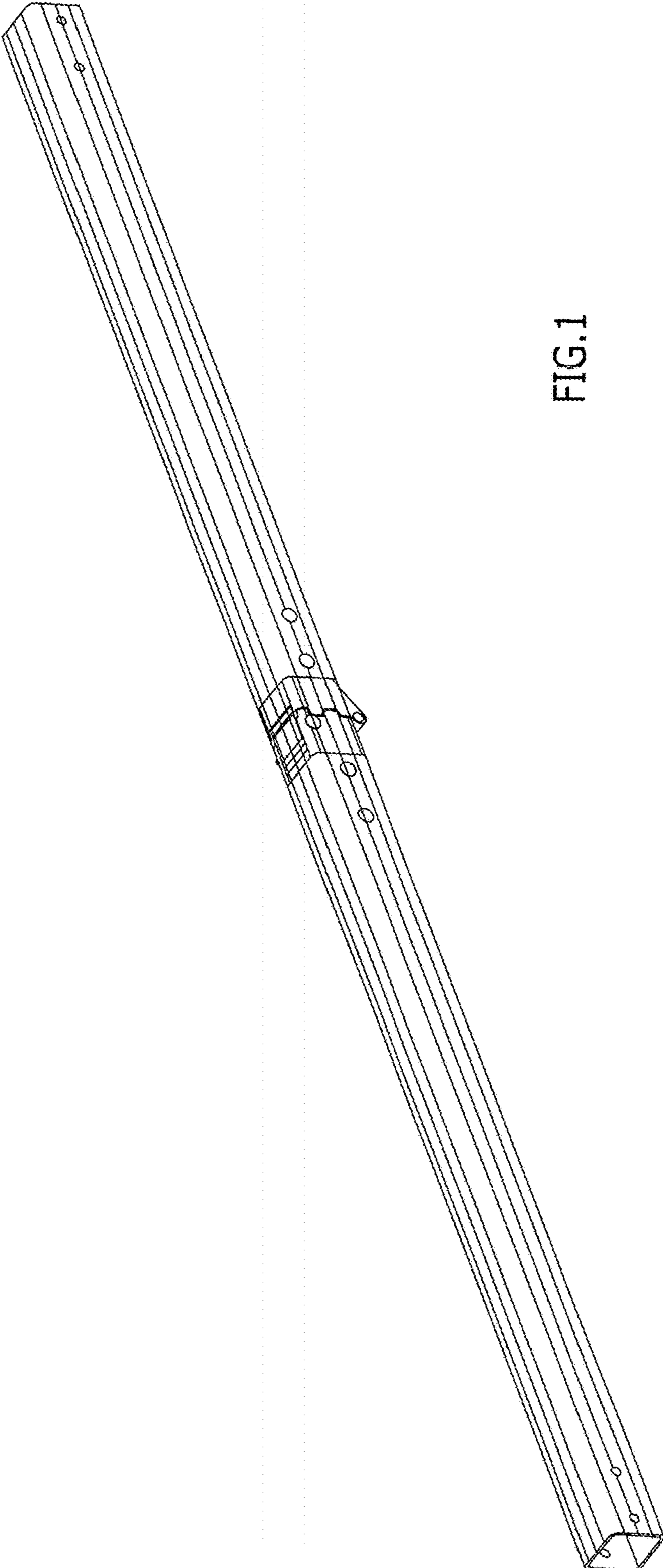
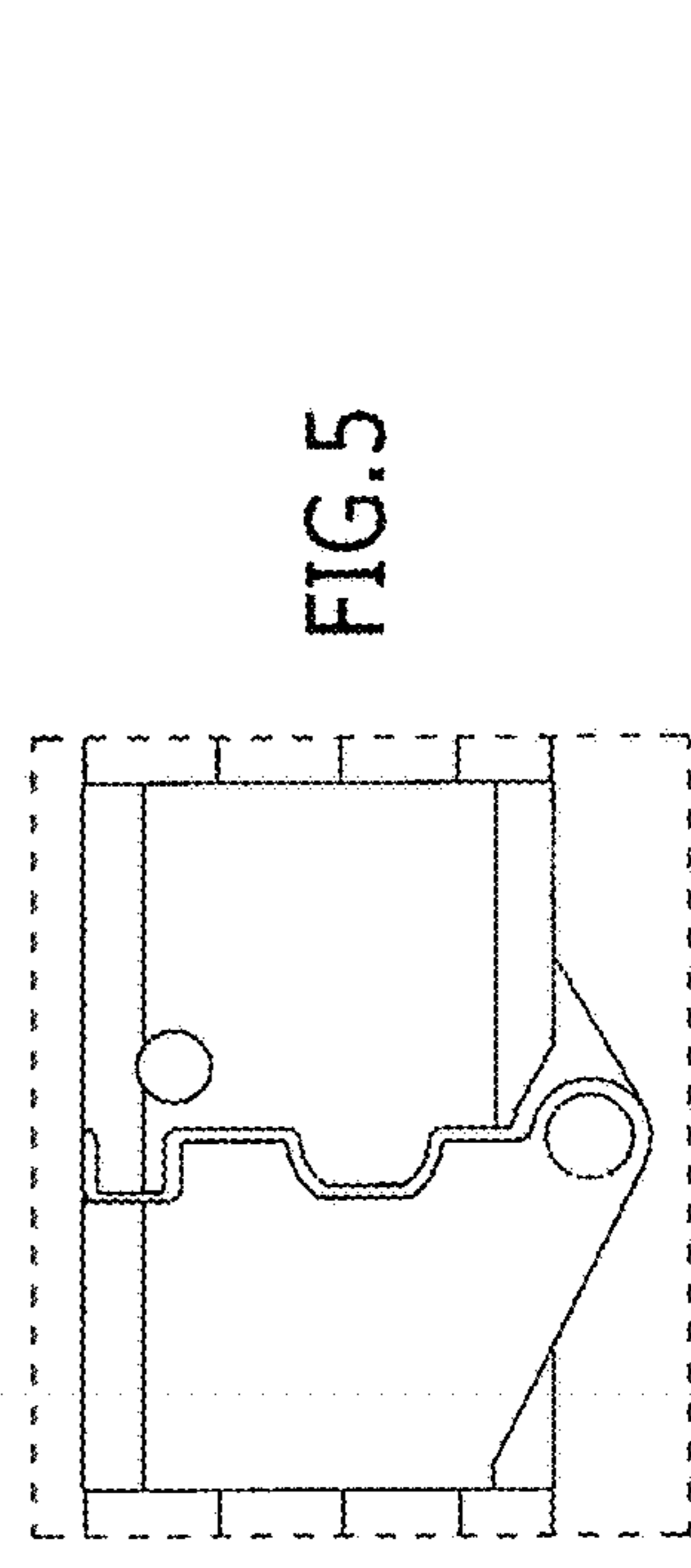
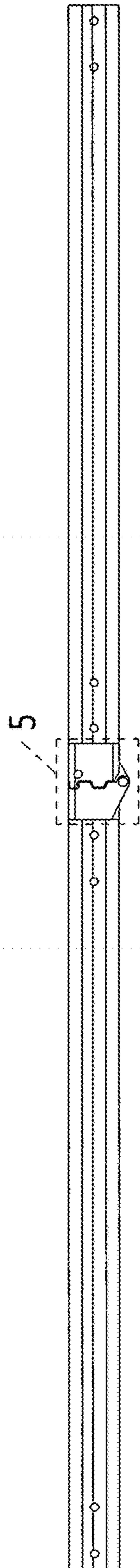
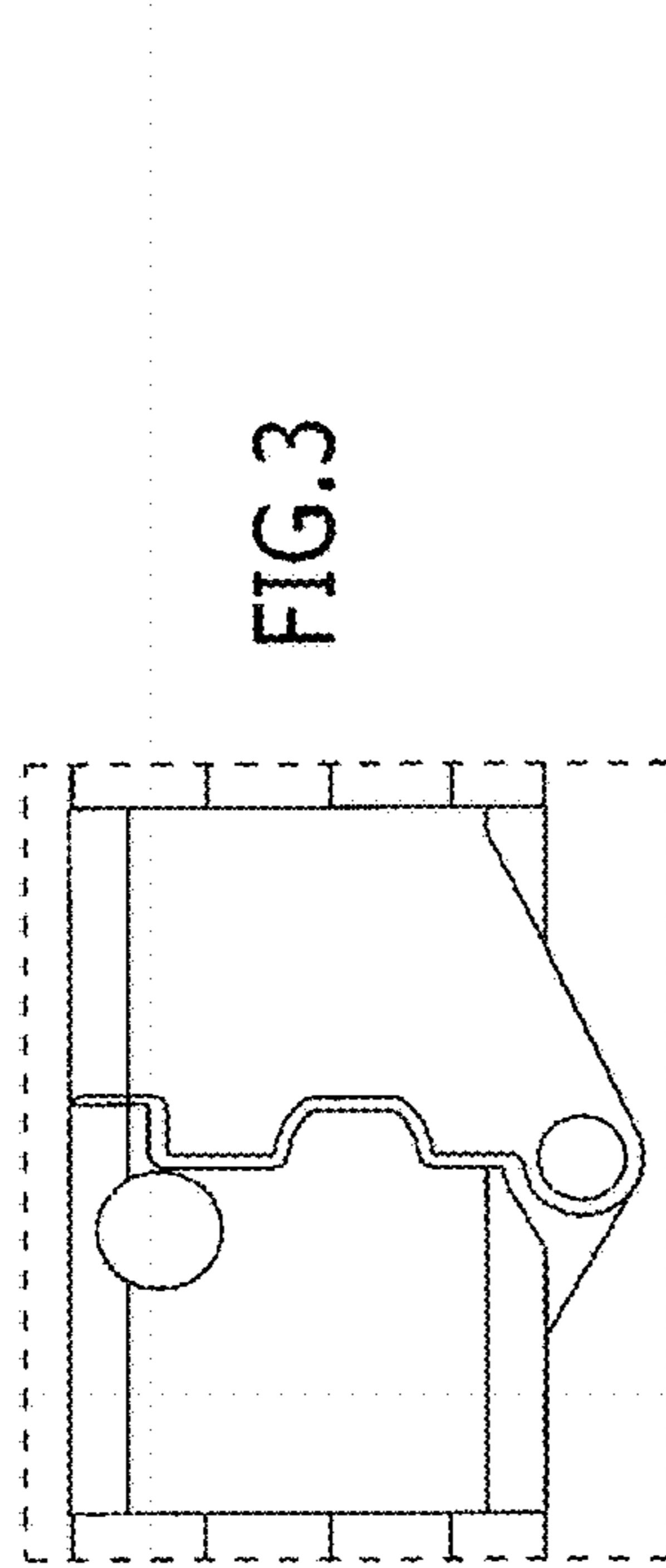
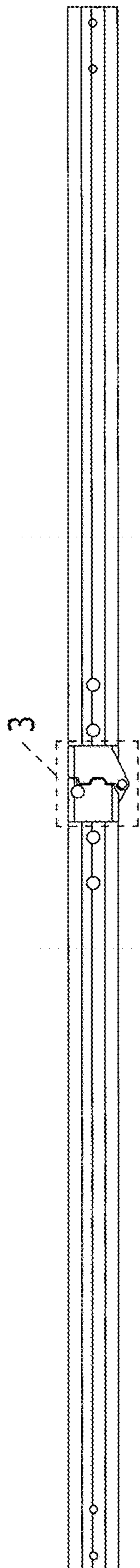


FIG.1



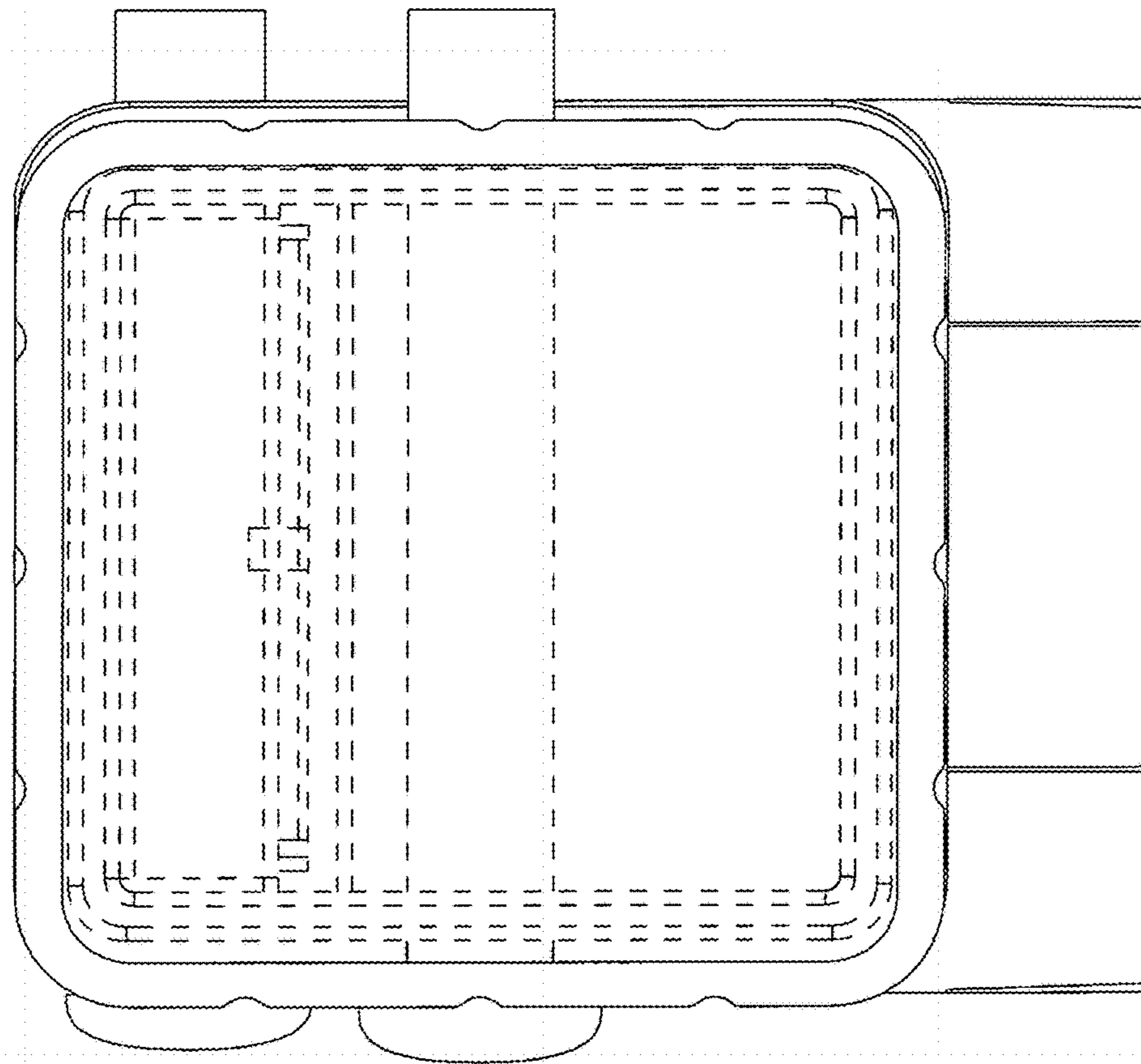


FIG.7

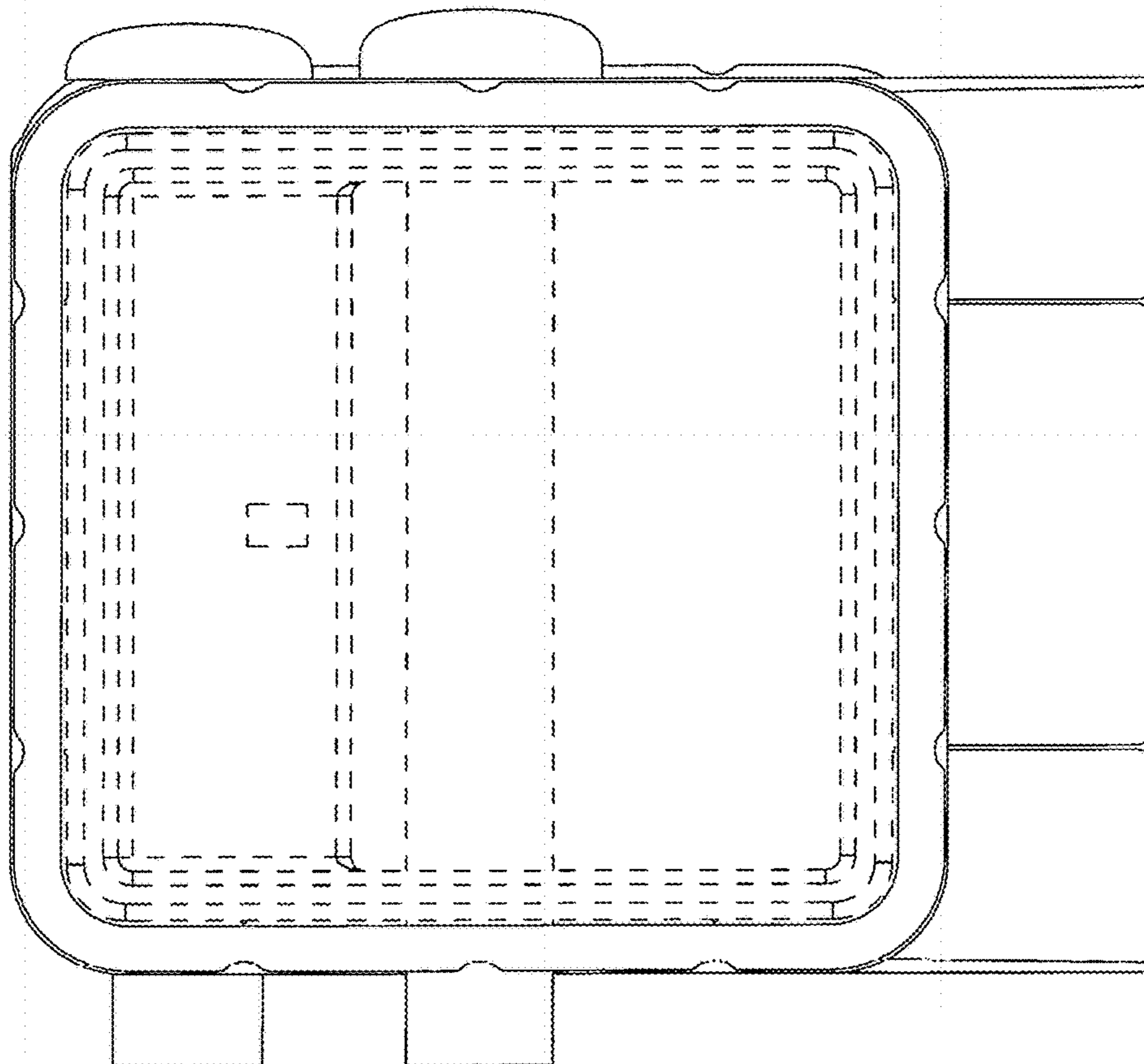


FIG.6

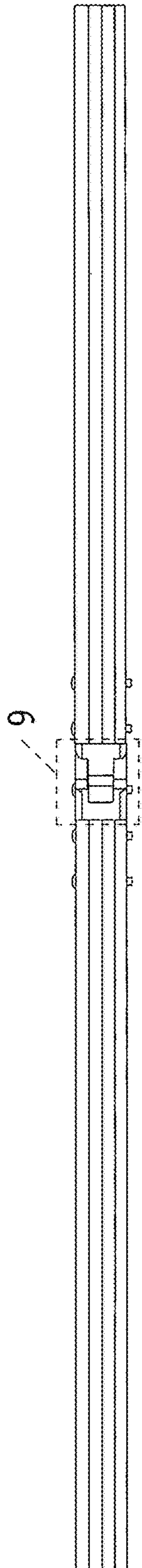


FIG. 8

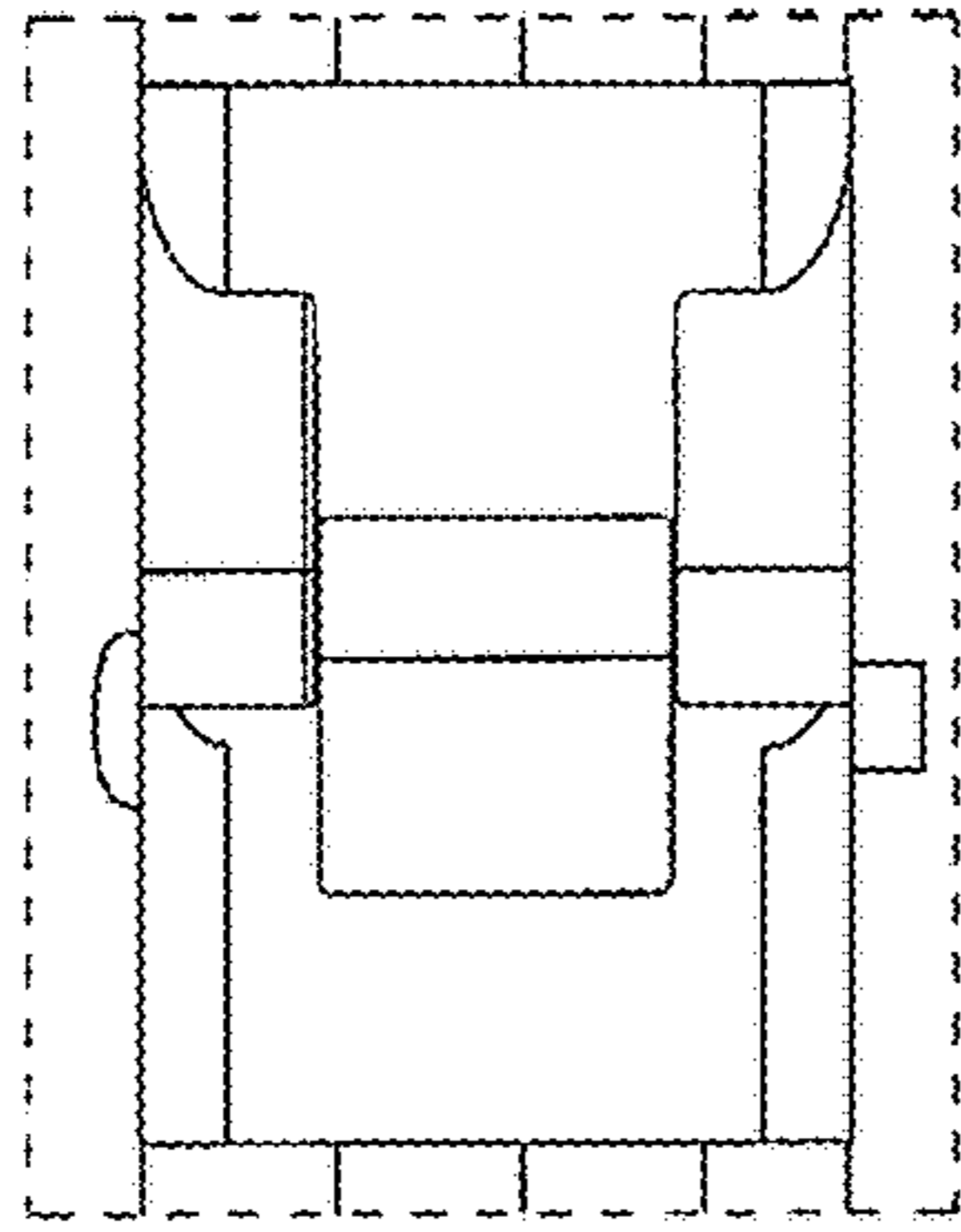


FIG. 9

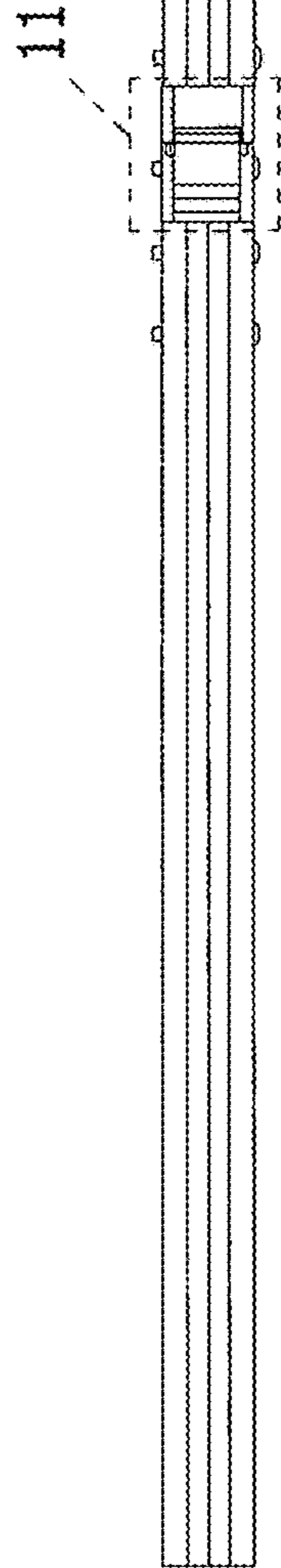


FIG. 10

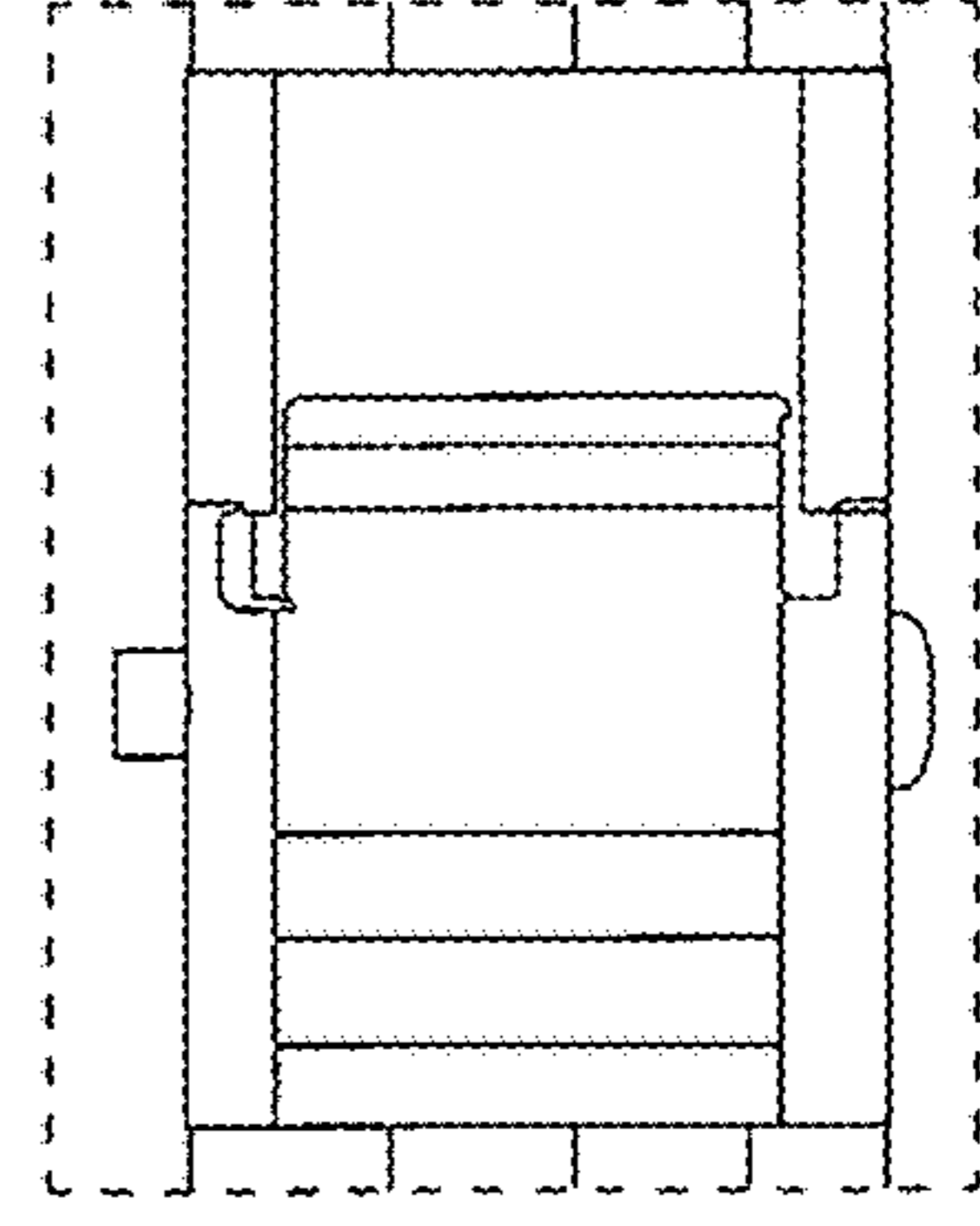


FIG. 11