



US00D914483S

(12) **United States Design Patent** (10) **Patent No.:** **US D914,483 S**
Lee et al. (45) **Date of Patent:** **** Mar. 30, 2021**

(54) **FIXTURE FOR A FRAME OF BUILT-IN HOME APPLIANCES**

(71) Applicant: **LG ELECTRONICS INC.**, Seoul (KR)

(72) Inventors: **Bumsang Lee**, Seoul (KR); **Taeho Kim**, Seoul (KR); **Junghan Ryu**, Seoul (KR); **Chulmin Lim**, Seoul (KR); **Mijin Jung**, Seoul (KR); **Junghyun Joo**, Seoul (KR); **Jipyoo Hong**, Seoul (KR)

(73) Assignee: **LG ELECTRONICS INC.**, Seoul (KR)

(**) Term: **15 Years**

(21) Appl. No.: **29/711,955**

(22) Filed: **Nov. 4, 2019**

(51) **LOC (13) Cl.** **08-08**

(52) **U.S. Cl.**
USPC **D8/349**

(58) **Field of Classification Search**
USPC D6/300, 301, 320, 323, 325, 326, 328, D6/576, 577, 579, 580; D8/349, 354, D8/355, 363, 373-377; D12/317, 400, D12/415, 416; D13/154, 133, 129, 199, D13/107-110
CPC .. F16C 2314/72; F16C 29/0623; F16C 29/06; F16C 29/0609; F16C 29/005; F16C 29/008; F16C 29/04; F16C 29/0657; F16C 29/004; F16C 29/12; A47B 1/10; A47B 88/493; A47B 88/423; A47B 2088/4235

See application file for complete search history.

(56) **References Cited**

U.S. PATENT DOCUMENTS

D774,874 S * 12/2016 Wentzel D8/349
D794,420 S * 8/2017 Emmons D8/349

D810,553 S * 2/2018 Amato D8/377
D817,741 S * 5/2018 West D8/349
D844,415 S * 4/2019 Kneib D8/354
D853,377 S * 7/2019 Crandon D14/253
D855,439 S * 8/2019 Schmonsees D8/349
D855,440 S * 8/2019 Schmonsees D8/349
D855,441 S * 8/2019 Schmonsees D8/349

(Continued)

Primary Examiner — Mark A Goodwin
Assistant Examiner — Benjamin M Weeks
(74) *Attorney, Agent, or Firm* — Birch, Stewart, Kolasch & Birch, LLP

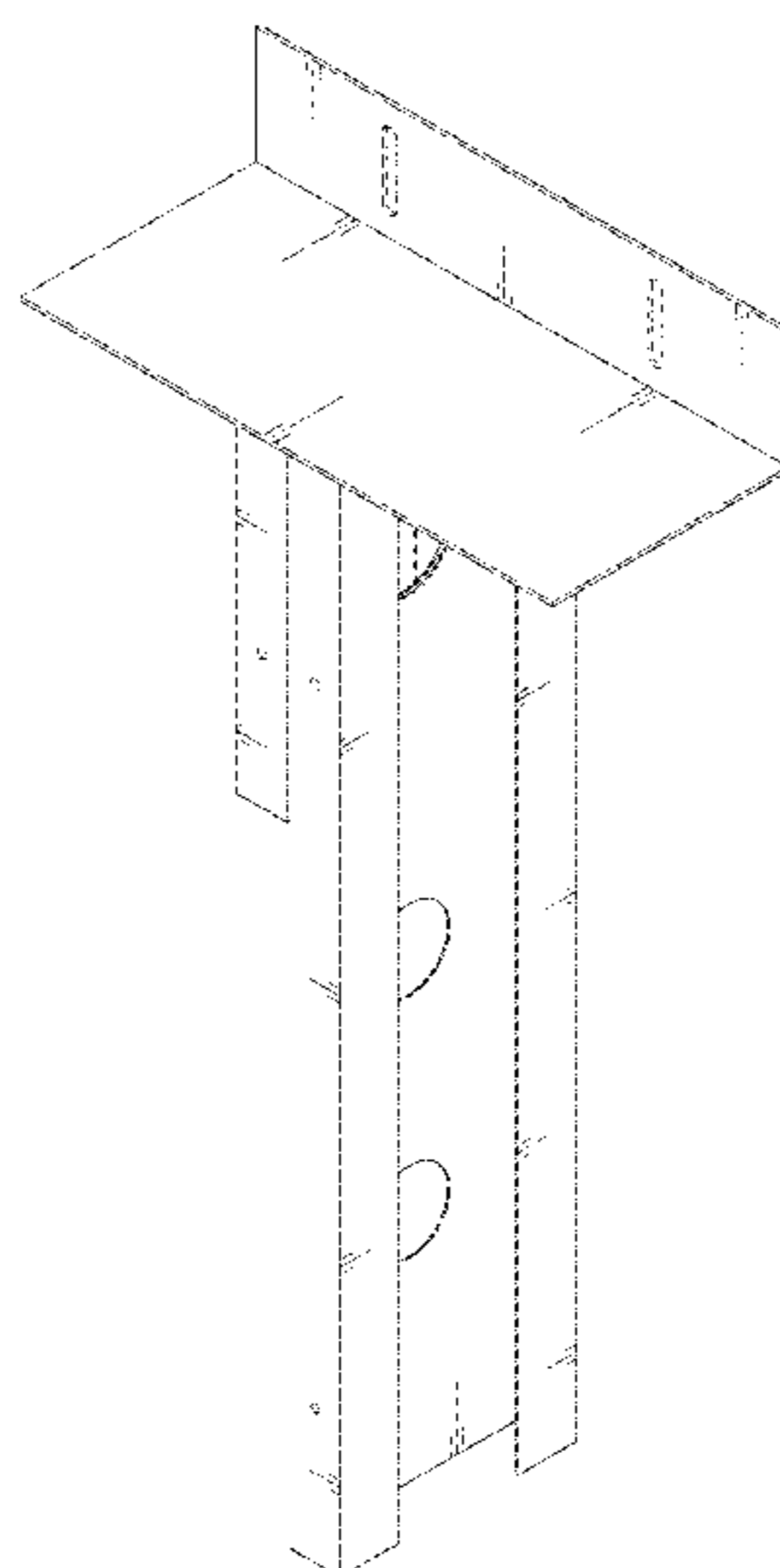
(57) **CLAIM**

The ornamental design for a fixture for a frame of built-in home appliances, as shown and described.

DESCRIPTION

FIG. 1 is a front perspective view of the fixture for a frame of built-in home appliances showing our new design;
FIG. 2 is a front view thereof;
FIG. 3 is a rear view thereof;
FIG. 4 is a left side view thereof;
FIG. 5 is a right side view thereof;
FIG. 6 is a top view thereof;
FIG. 7 is a bottom view thereof;
FIG. 8 is a rear perspective view thereof;
FIG. 9 is a reference view showing the use state in which the claimed design is being attached to the frame for built-in home appliances; and,
FIG. 10 is a reference view showing the use state in which the claimed design has been attached to the frame for built-in home appliances.
The broken lines depict portions of the fixture for a frame of built-in home appliances that form no part of the claimed design. The portions of FIGS. 9 and 10 drawn in broken lines show environmental structure only and form no part of the claimed design.

1 Claim, 10 Drawing Sheets



(56)

References Cited

U.S. PATENT DOCUMENTS

D869,936 S * 12/2019 Smith D8/349
D884,302 S * 5/2020 Azzaro D34/10
D892,597 S * 8/2020 Stoops D8/354
10,813,454 B1 * 10/2020 Chen A47B 88/49

* cited by examiner

FIG. 1

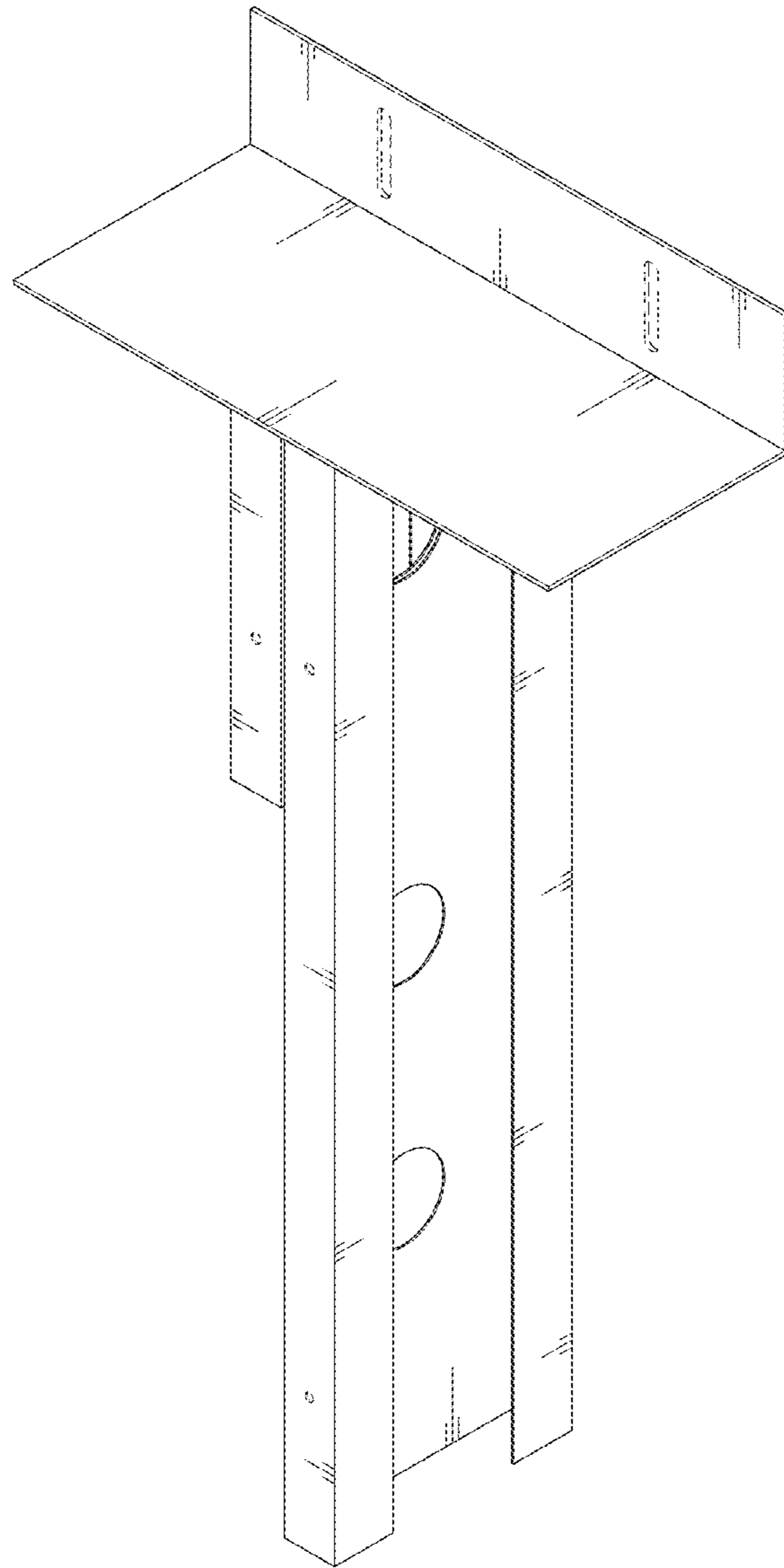


FIG. 2

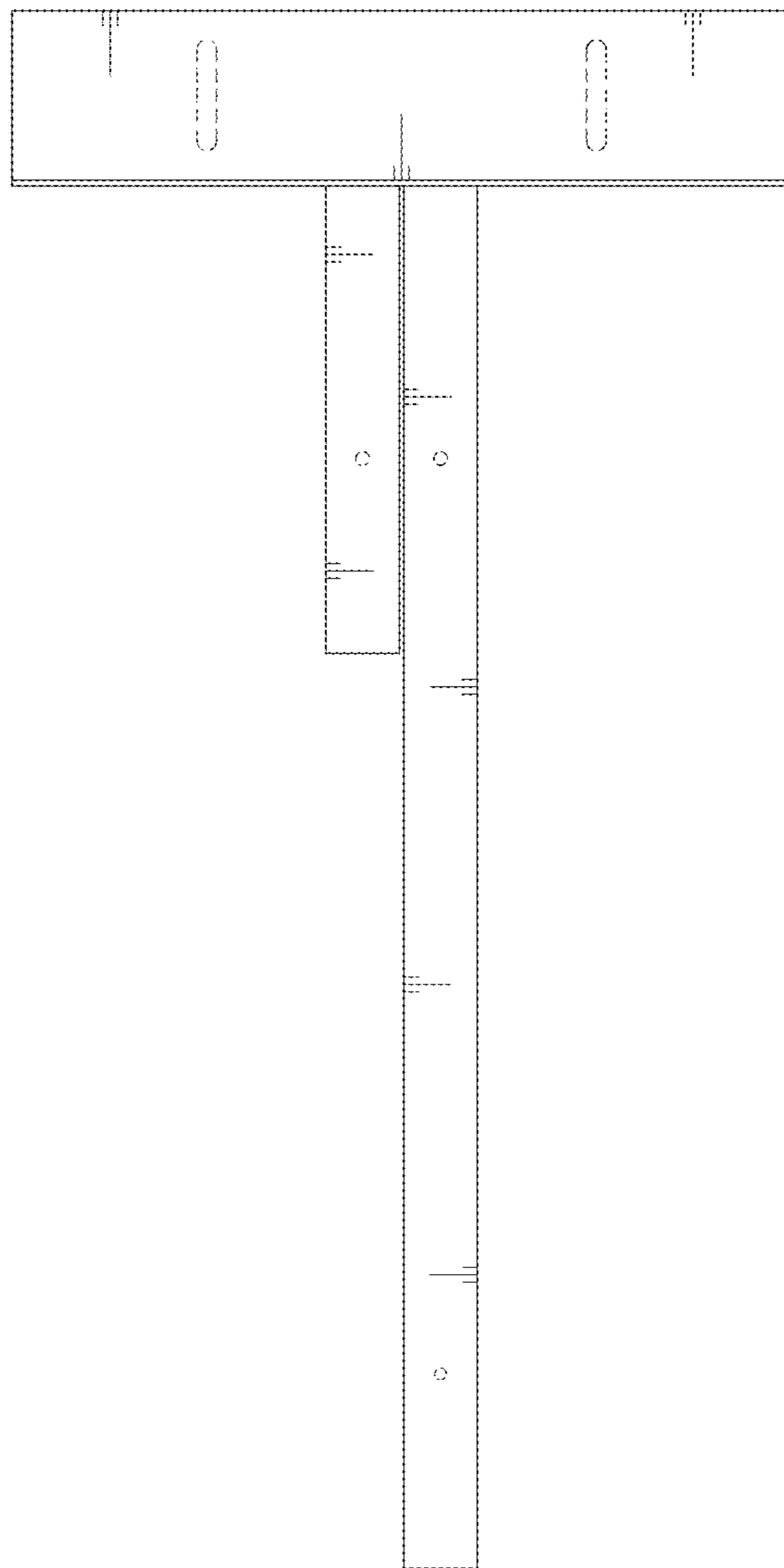


FIG. 3

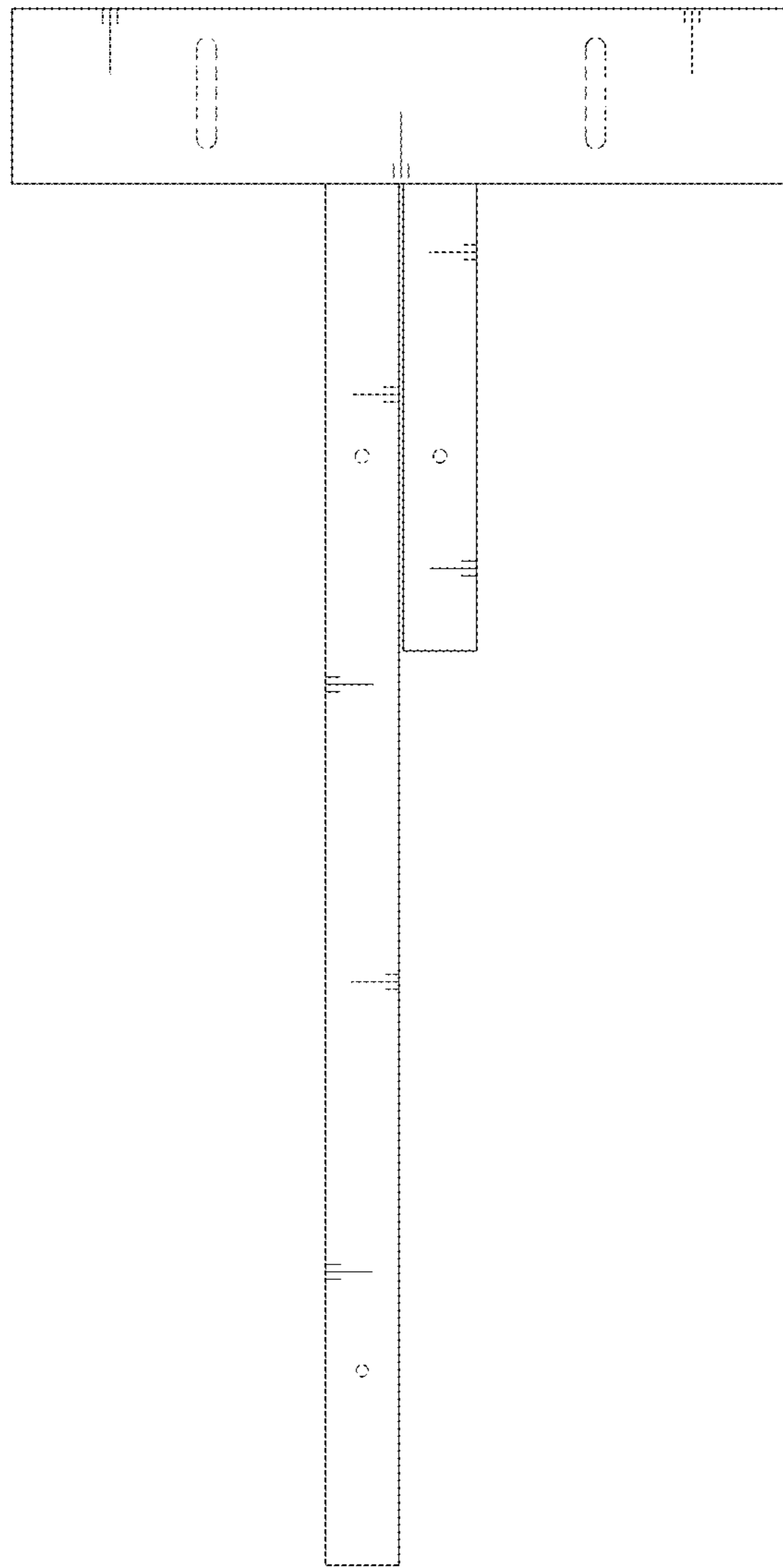


FIG. 4

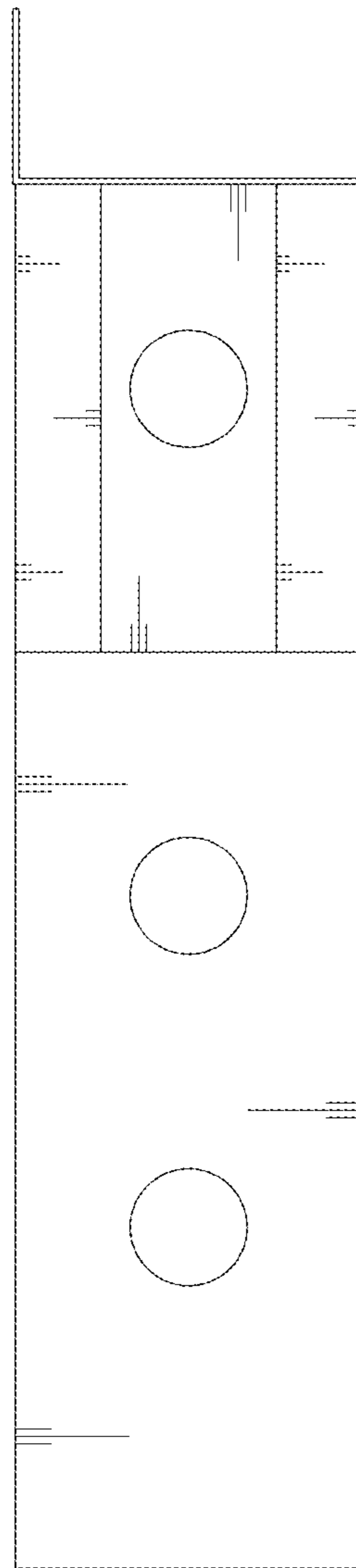


FIG. 5

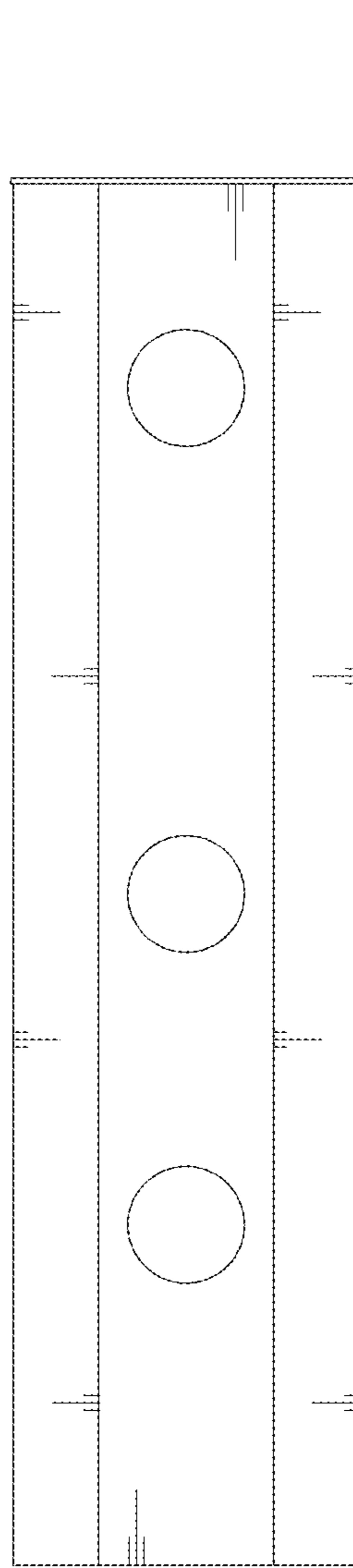


FIG. 6

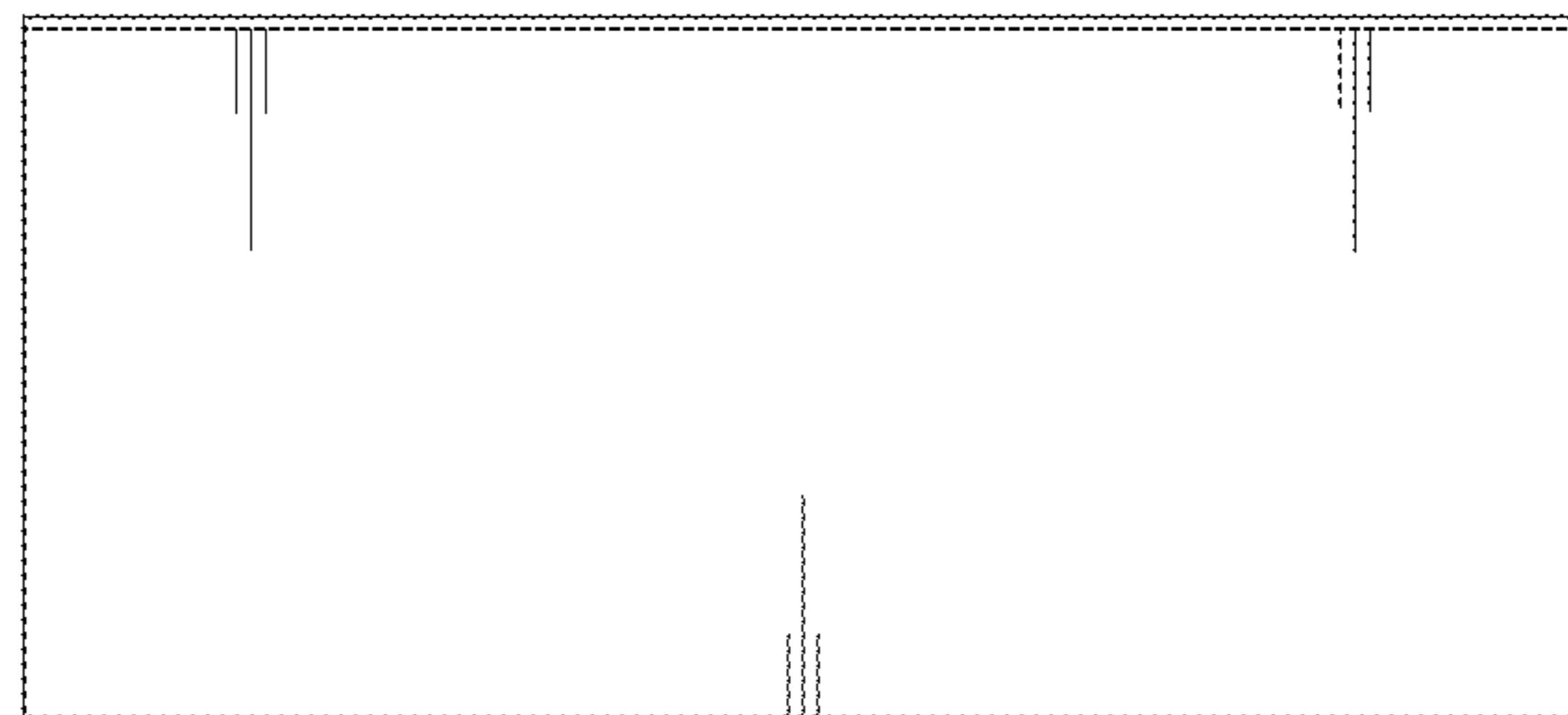


FIG. 7

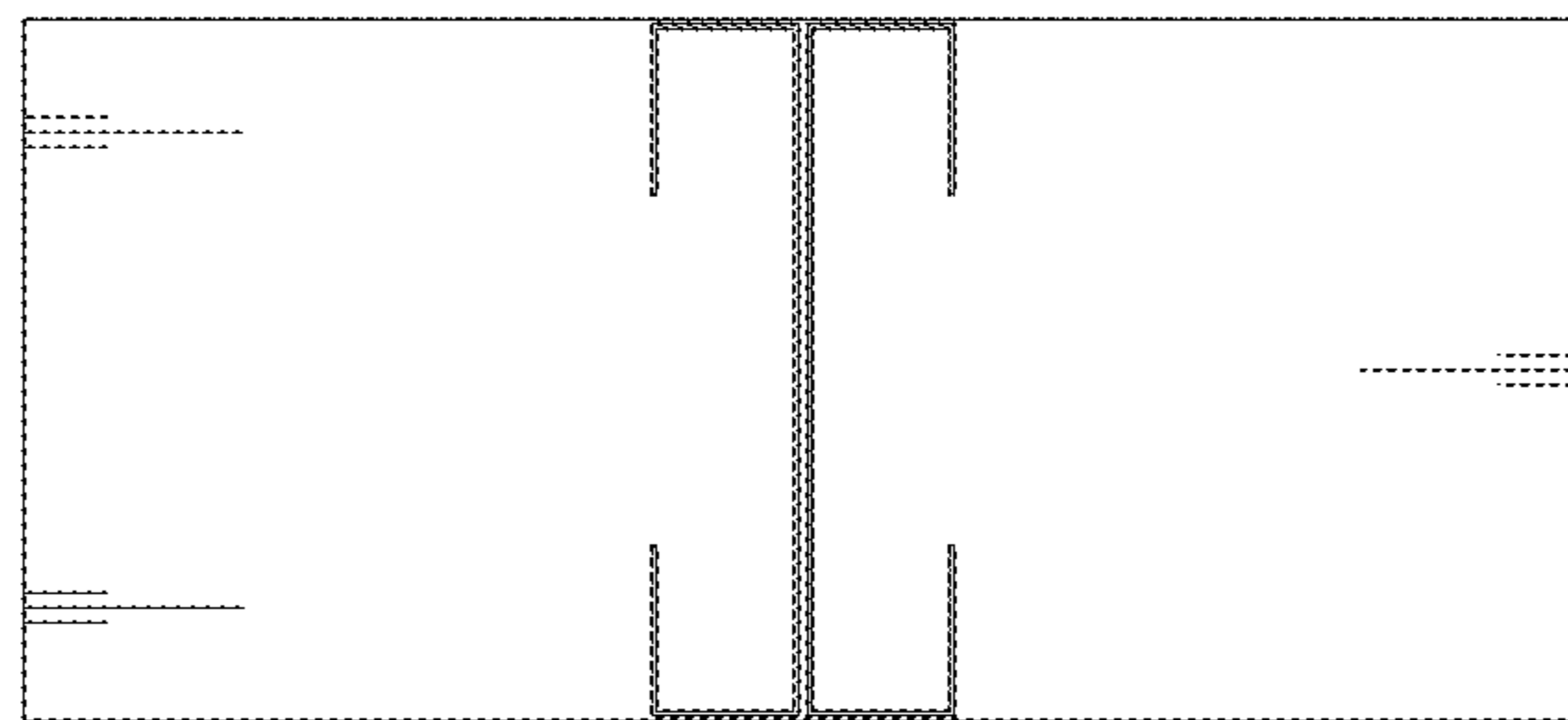


FIG. 8

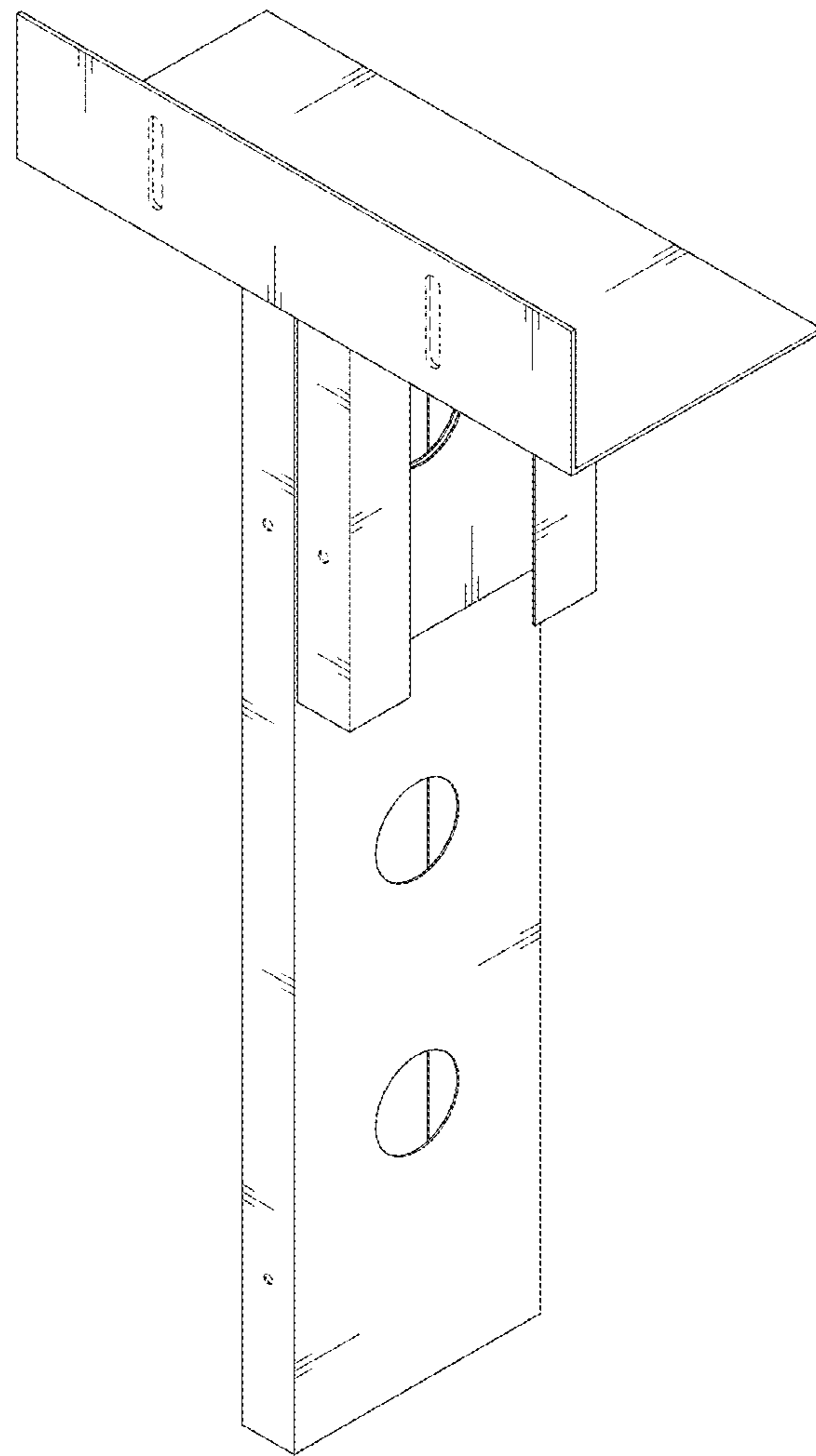


FIG. 9

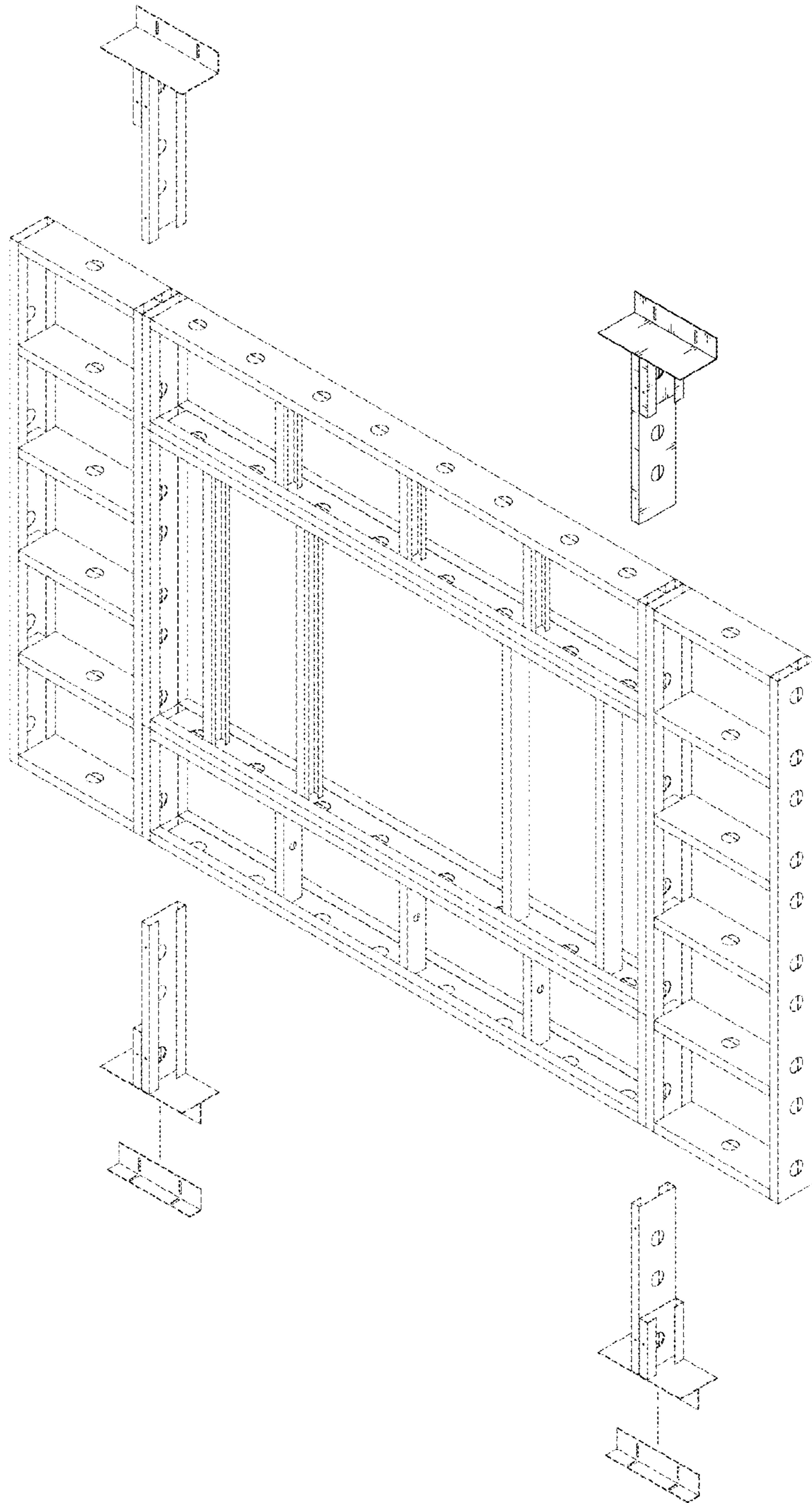


FIG. 10

