



US00D914482S

(12) **United States Design Patent** (10) **Patent No.:** **US D914,482 S**
Bohmbach et al. (45) **Date of Patent:** **** Mar. 30, 2021**

- (54) **DUAL SWIVEL CLIP**
- (71) Applicant: **Tenacious Holdings, Inc.**, St. Paul, MN
(US)
- (72) Inventors: **Nathan Bohmbach**, Lakeville, MN
(US); **Jeffery Popowski**, Roseville, MN
(US)
- (73) Assignee: **Tenacious Holdings, Inc.**, St. Paul, MN
(US)

D369,537 S *	5/1996	Henslee	D8/354
D381,893 S *	8/1997	Klamm	D2/891
D434,641 S *	12/2000	Hartley	D8/373
D469,023 S *	1/2003	Mah	D10/15
D564,341 S *	3/2008	Kelleghan	D8/356
D590,699 S *	4/2009	Szymanski	D8/373
D600,106 S *	9/2009	Berney	D8/356
D612,710 S *	3/2010	Kelleghan	D8/356
D655,999 S *	3/2012	Kelleghan	D8/356
D657,660 S *	4/2012	Petty	D8/356
D702,100 S *	4/2014	Larard	D8/72
D758,824 S *	6/2016	Kelleghan	D8/105
D845,110 S *	4/2019	Cox	D8/354
D853,826 S *	7/2019	May	D8/373

(**) Term: **15 Years**

* cited by examiner

- (21) Appl. No.: **29/709,274**
- (22) Filed: **Oct. 12, 2019**
- (51) **LOC (13) Cl.** **08-08**
- (52) **U.S. Cl.**
USPC **D8/349**
- (58) **Field of Classification Search**
USPC D8/349, 350-353, 354, 355, 363, 383,
D8/394, 399; D29/101.1, 122, 129
CPC A45F 2005/006; A45F 5/00; A45F 5/02;
A45F 5/021; A45F 2005/025
See application file for complete search history.

Primary Examiner — Mark A Goodwin
Assistant Examiner — Benjamin M Weeks
 (74) *Attorney, Agent, or Firm* — Skaar Ulbrich Macari,
 P.A.

(57) **CLAIM**

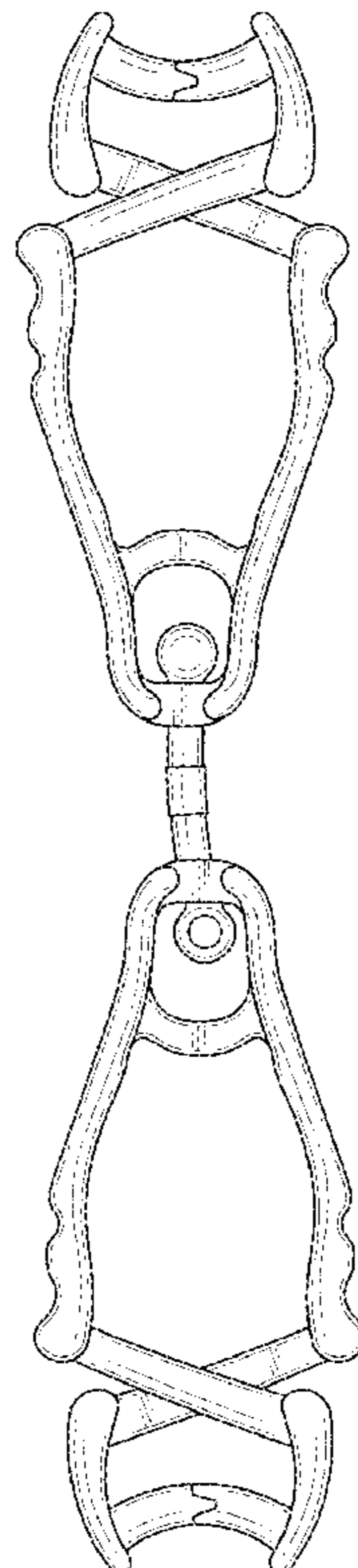
The ornamental design for a dual swivel clip, as shown and described.

DESCRIPTION

FIG. 1 is a front elevation view of a dual swivel clip showing our new design;
 FIG. 2 is a back elevation view thereof;
 FIG. 3 is a left side elevation view thereof;
 FIG. 4 is a right side elevation view thereof;
 FIG. 5 is a top plan view thereof; and,
 FIG. 6 is a bottom plan view thereof.

- (56) **References Cited**
 U.S. PATENT DOCUMENTS
- | | | | | |
|---------------|---------|------|-------|------------------------|
| D27,910 S * | 11/1897 | Cary | | D8/382 |
| 1,888,875 A * | 11/1932 | Long | | F16B 45/02
24/601.5 |
| D124,260 S * | 12/1940 | Rice | | D8/382 |

1 Claim, 6 Drawing Sheets



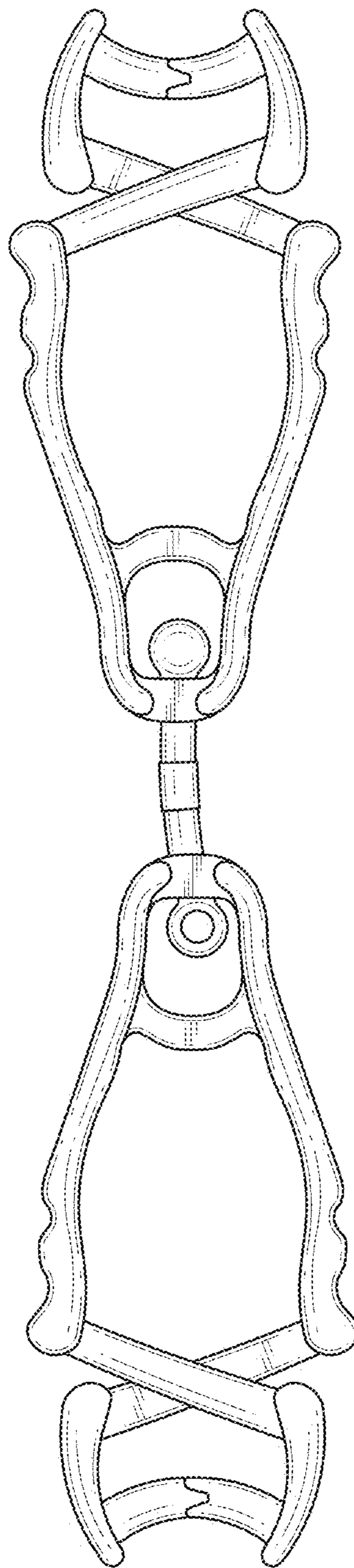


FIG. 1

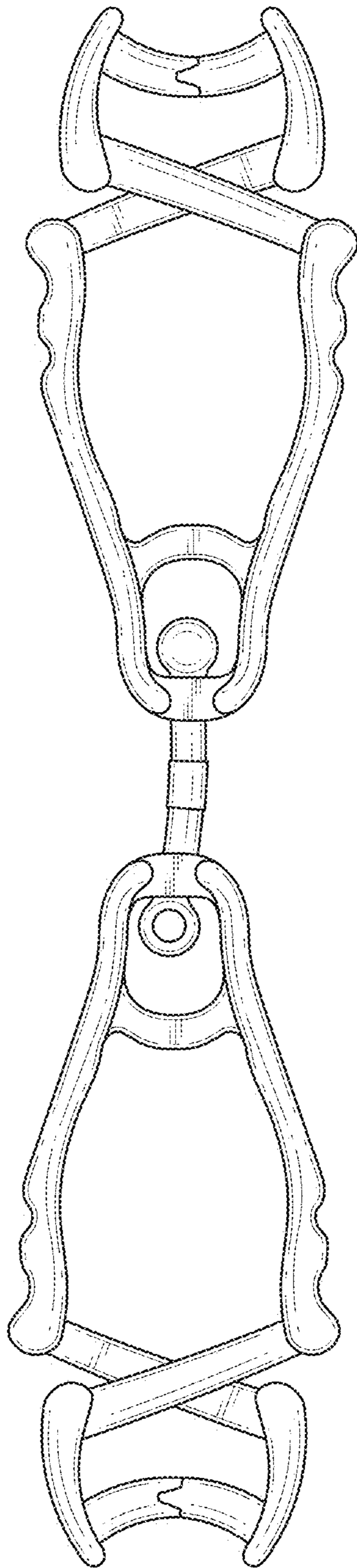


FIG. 2

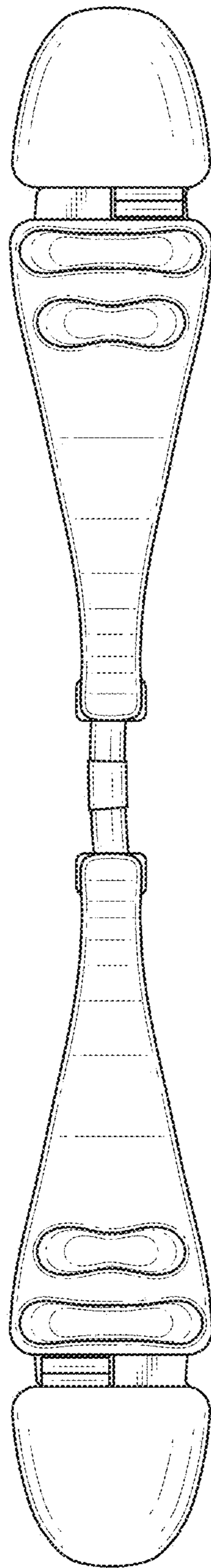


FIG. 3

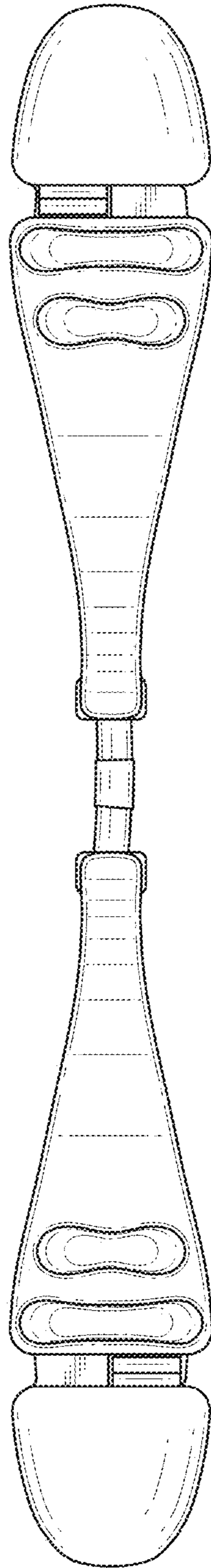


FIG. 4

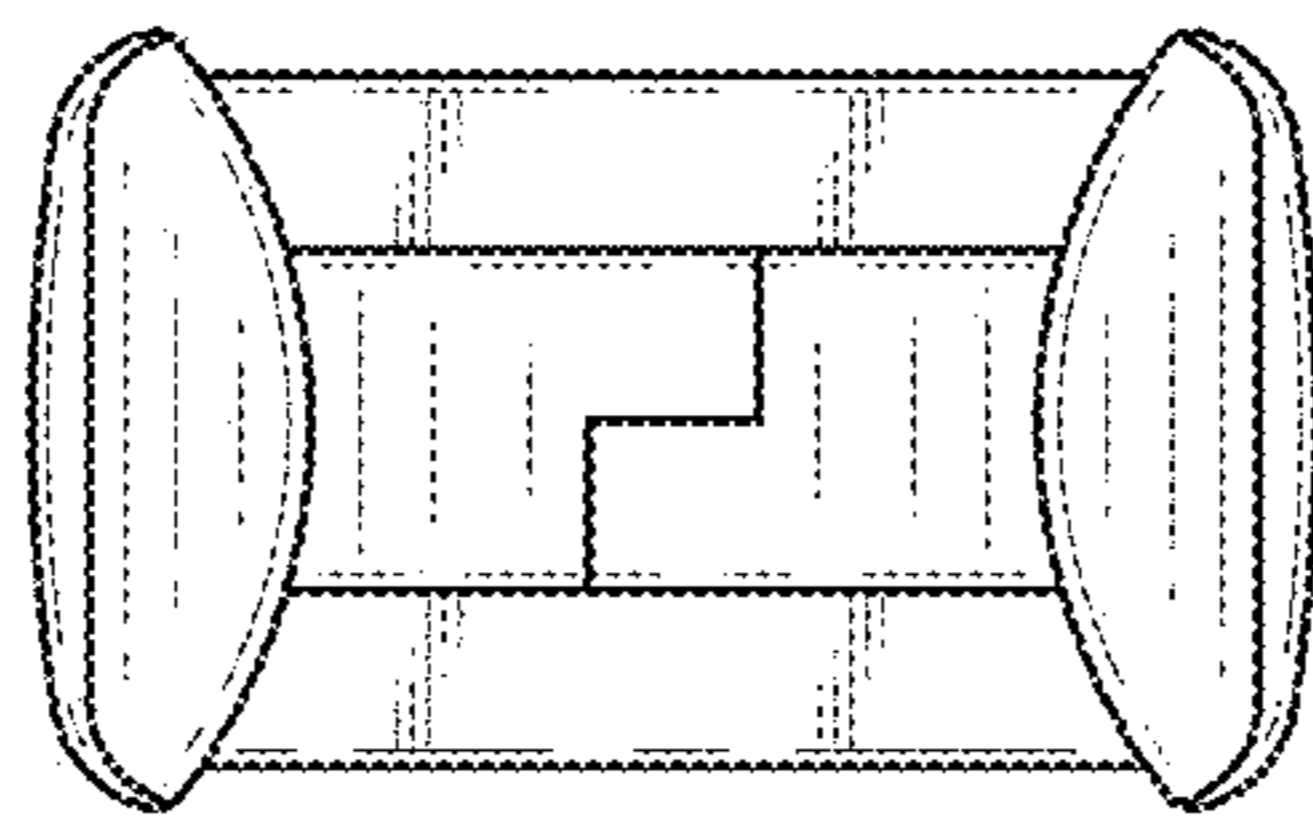


FIG. 5

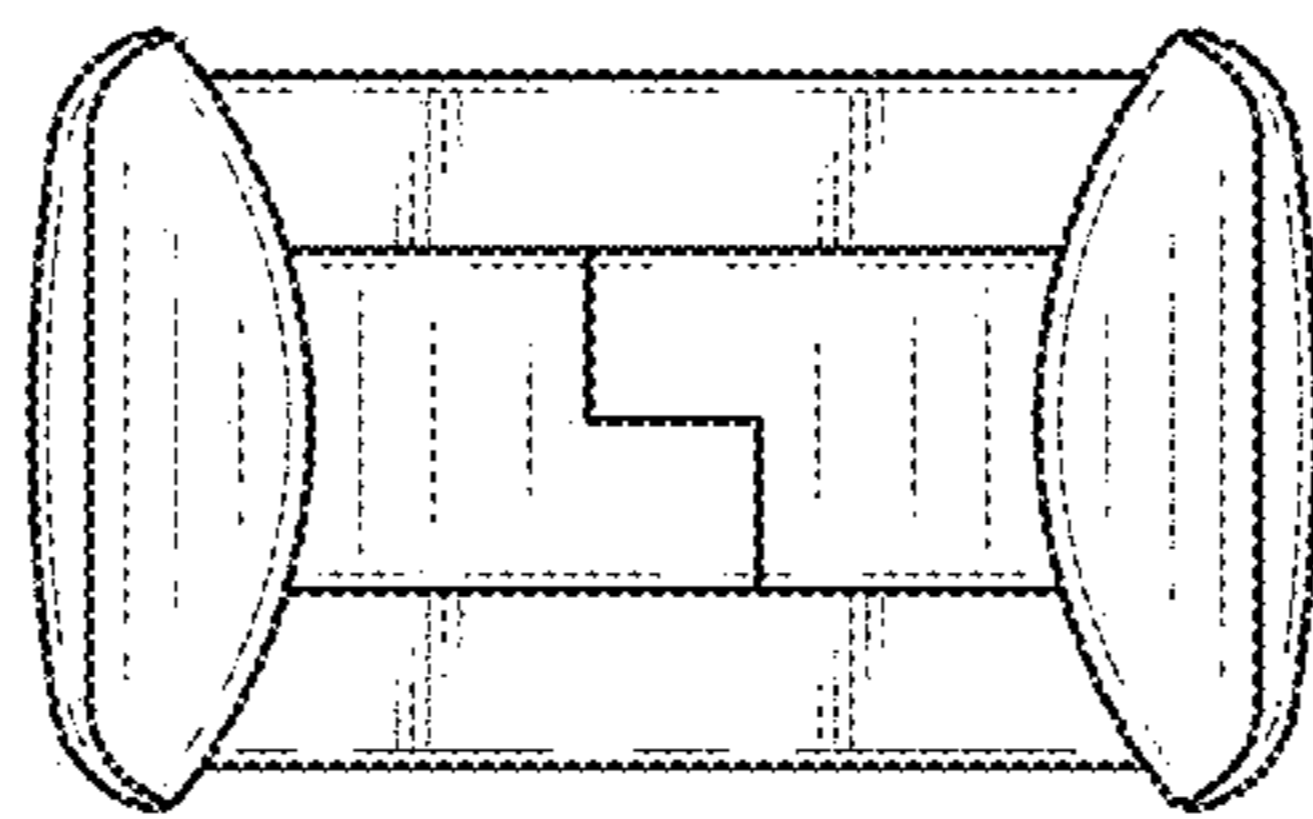


FIG. 6