



US00D914480S

(12) **United States Design Patent**
Tan et al.

(10) **Patent No.:** **US D914,480 S**
(45) **Date of Patent:** **** Mar. 30, 2021**

(54) **PADLOCK**

(71) Applicant: **IGLOOHOME PTE. LTD.**, Singapore (SG)

(72) Inventors: **Kai Hui Tan**, Singapore (SG); **Chun Chiang Chan**, Singapore (SG); **Mathew Mantik Ng**, Singapore (SG); **Nur Yani Binte Mohamed Iqbal**, Singapore (SG)

(73) Assignee: **IGLOOHOME PTE. LTD.**, Singapore (SG)

(**) Term: **15 Years**

(21) Appl. No.: **29/680,772**

(22) Filed: **Feb. 20, 2019**

(30) **Foreign Application Priority Data**

Aug. 20, 2018 (SG) 30201805560P

(51) **LOC (13) Cl.** **08-07**

(52) **U.S. Cl.**
USPC **D8/334; D8/333**

(58) **Field of Classification Search**
USPC D8/330-349, 382, 383, 394-396;
70/14-28, 57, 57.1, 58, 141-143, 114,
70/158, 224, 226, 431, 465; 292/299,
292/307 R; 24/16 R, 17 B
CPC E05B 69/003; E05B 71/00; E05B 73/005;
E05B 17/142; E05B 37/0068; E05B
37/025; E05B 37/08; E05B 67/063; E05B
67/22; E05B 67/24; E05B 67/28; E05B
67/32; E05B 67/36; E05B 67/365; E05B
67/38; E05B 67/383; E05B 37/004; B62H
5/001

See application file for complete search history.

(56) **References Cited**

U.S. PATENT DOCUMENTS

D545,173 S * 6/2007 Wasson D8/333
8,353,187 B2 * 1/2013 Woodling E05B 47/0603
70/278.7

D821,847 S * 7/2018 Gillespie, IV D8/334
D834,918 S * 12/2018 Zheng D8/334
D864,695 S * 10/2019 Lai D8/334
D891,225 S * 7/2020 Ronge D8/334
D891,226 S * 7/2020 Ronge D8/334
2011/0023563 A1 * 2/2011 Huang E05B 35/007
70/31

(Continued)

FOREIGN PATENT DOCUMENTS

CN 305550028 * 7/2019
CN 2020-59801 T * 11/2019 H01H 13/705

OTHER PUBLICATIONS

Igloohome, Smart Padlock—Grant Access Anytime, Anywhere, Date first available May 12, 2019, [online]retrieved Jul. 23, 2020, available from internet, www.amazon.com (Year: 2019).*

(Continued)

Primary Examiner — Keli L Hill

Assistant Examiner — Sara S Sahneh

(74) *Attorney, Agent, or Firm* — JCIP; Joseph G. Chu; Jeremy I. Maynard

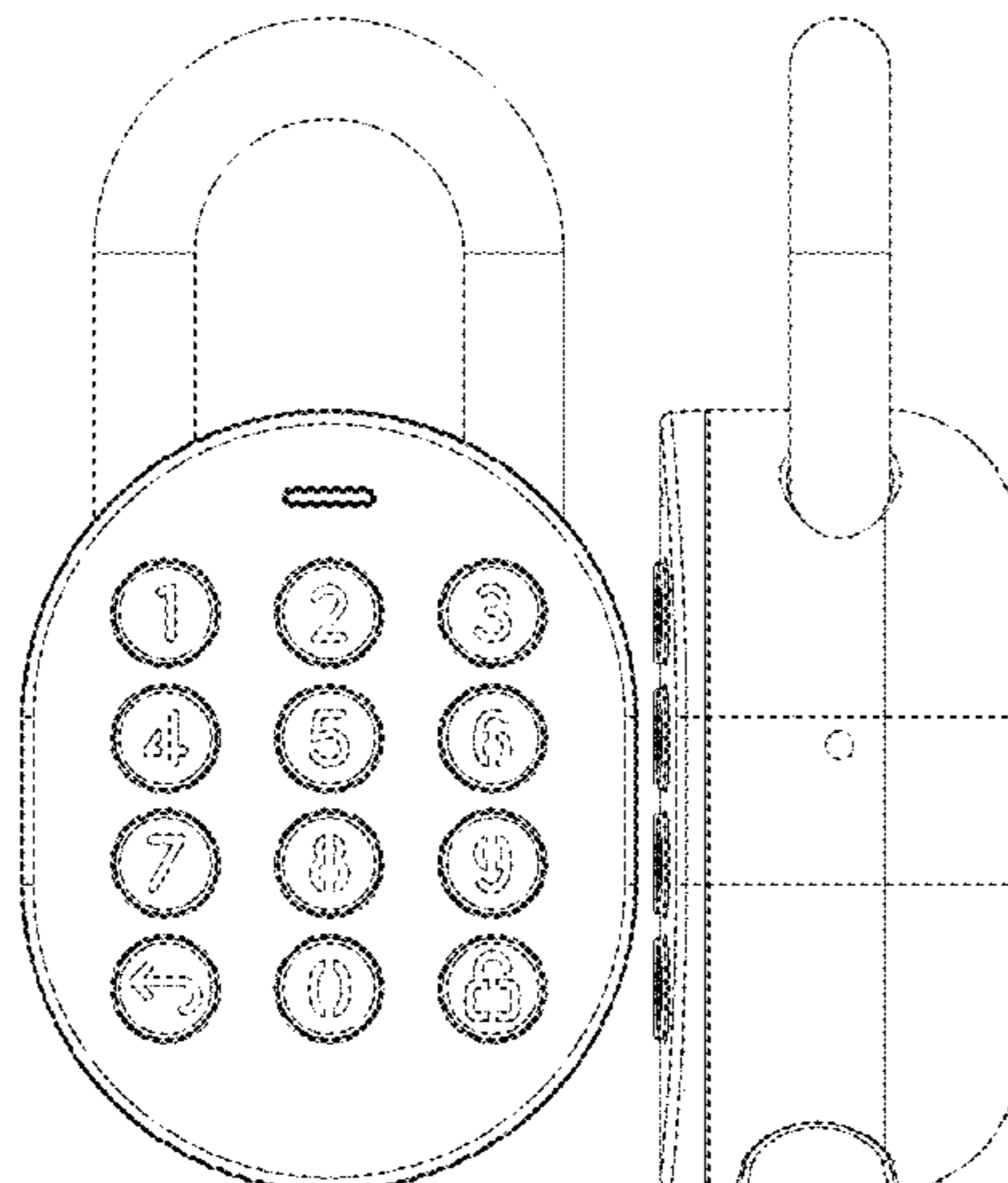
(57) **CLAIM**

The ornamental design for a padlock, as shown and described.

DESCRIPTION

FIG. 1 is a front view of a padlock;
FIG. 2 is a left-side view of the padlock;
FIG. 3 is a bottom view of the padlock;
FIG. 4 is a top view of the padlock;
FIG. 5 is a right-side view of the padlock; and,
FIG. 6 is a back view of the padlock.
Broken lines are included to show portions of the padlock that form no part of the claimed design.

1 Claim, 6 Drawing Sheets



(56)

References Cited

U.S. PATENT DOCUMENTS

2017/0169637 A1* 6/2017 Lai E05B 47/0012
2017/0208711 A1* 7/2017 Yang E05B 67/22
2017/0234038 A1* 8/2017 Sanford E05B 37/0058
70/63
2020/0048931 A1* 2/2020 Yang E05B 37/0044

OTHER PUBLICATIONS

TAPP,Tapplock lite Fingerprint Bluetooth Biometric Keyless Smart Padlock, Date first available Feb. 1, 2019 [online]retrieved Jul. 28, 2020, available from internet, www.amazon.com (Year: 2019).*

* cited by examiner



FIG. 1

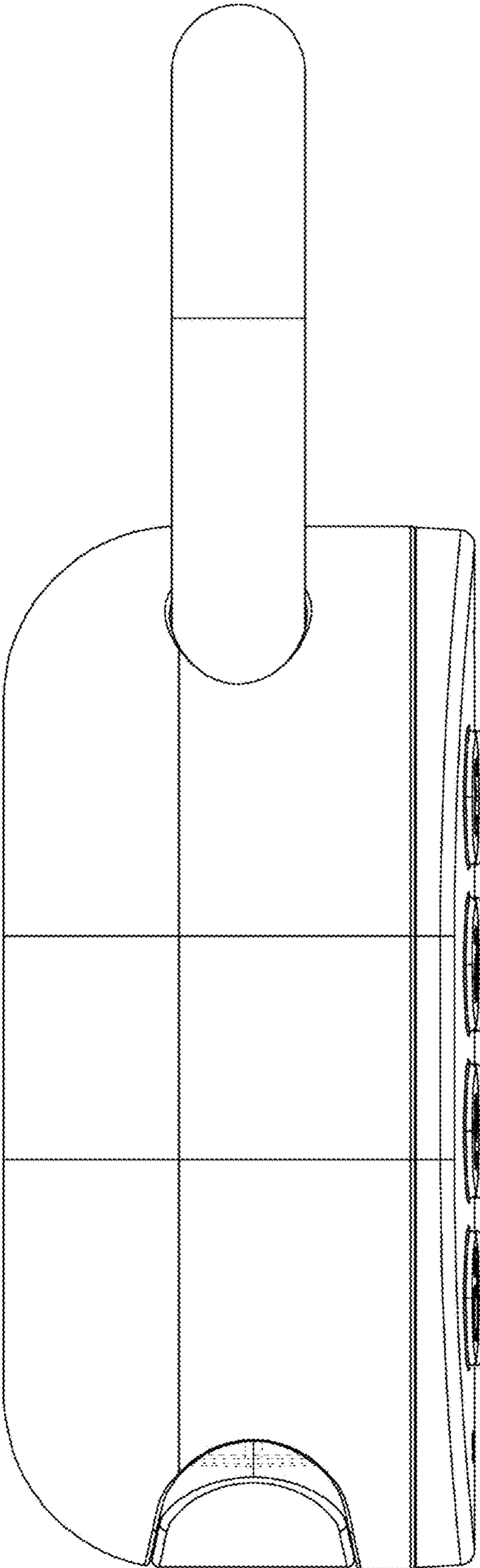


FIG. 2

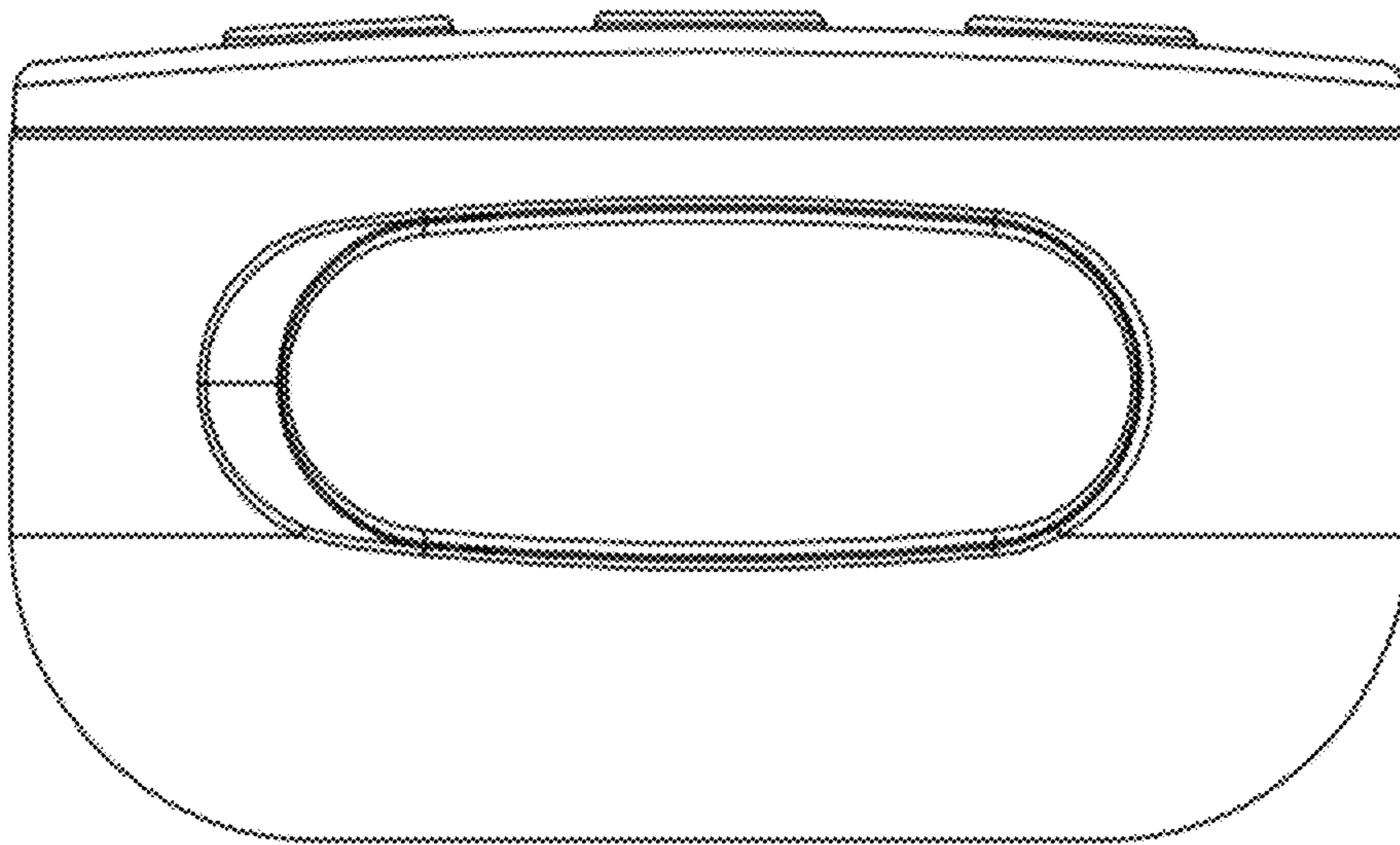


FIG. 3

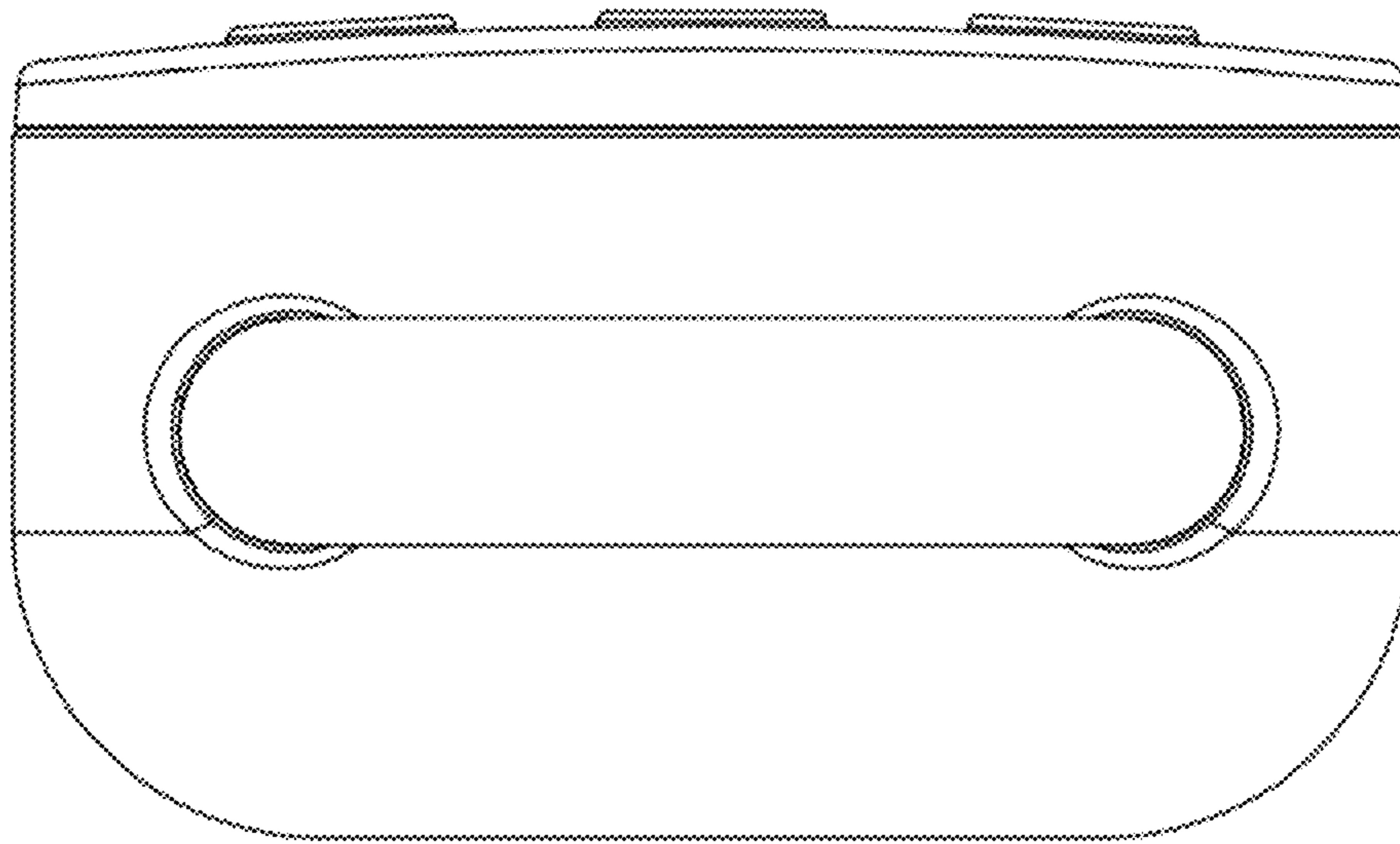


FIG. 4

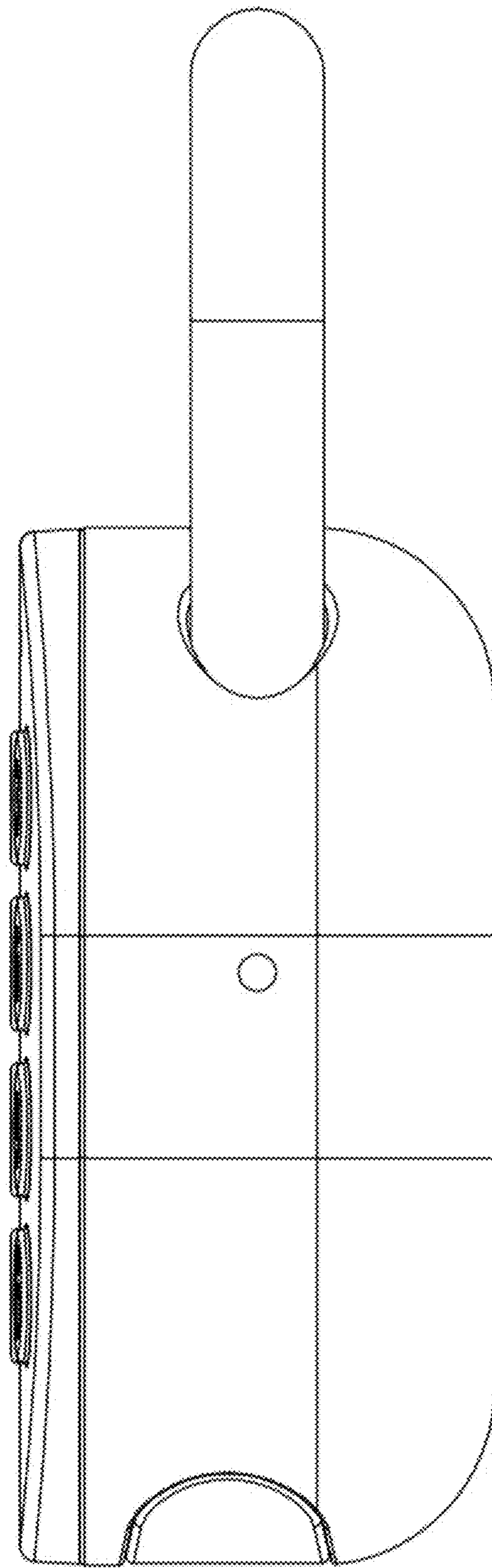


FIG. 5

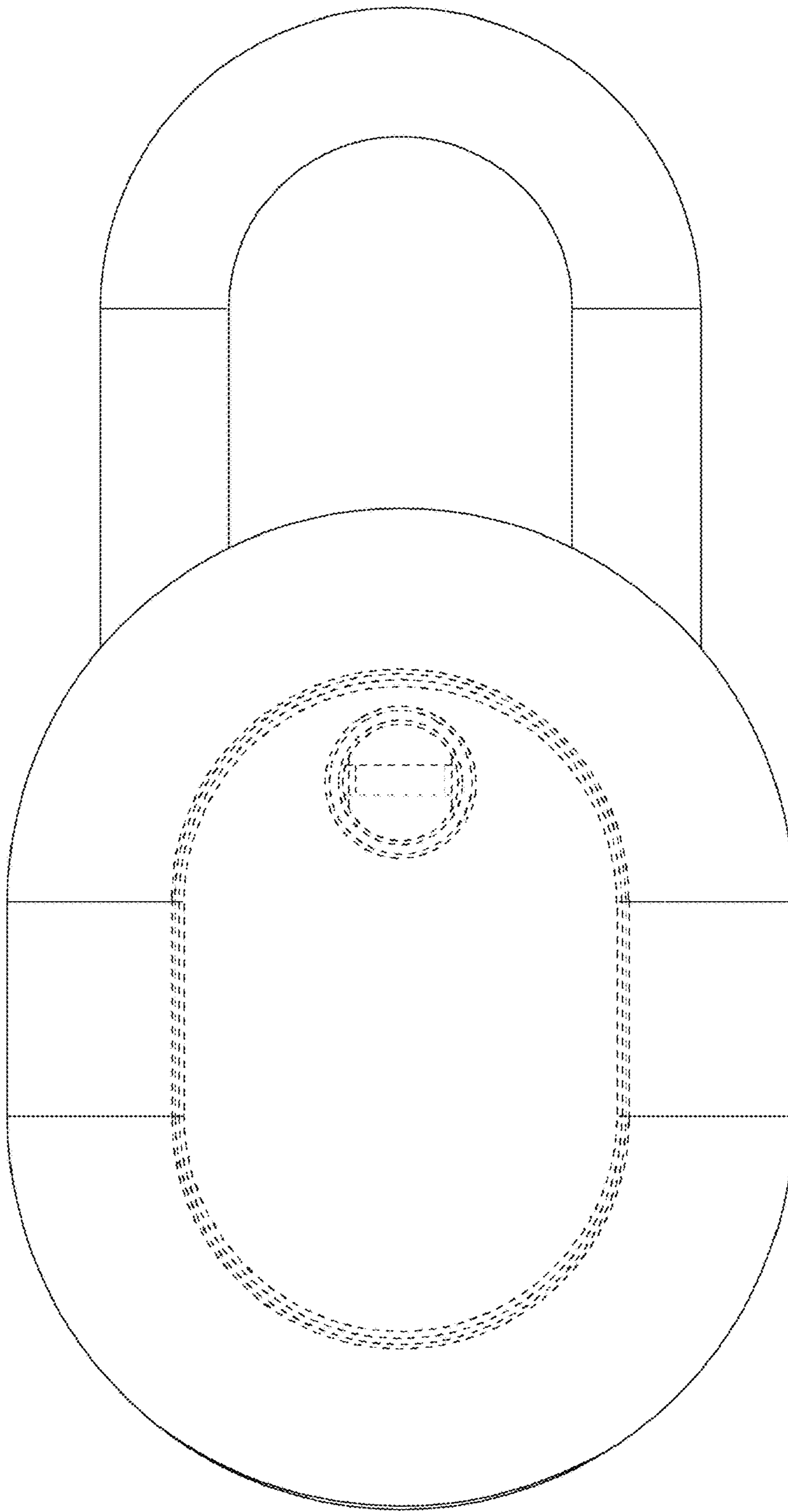


FIG. 6