



US00D914479S

(12) **United States Design Patent**
Scarlett

(10) **Patent No.:** **US D914,479 S**
(45) **Date of Patent:** **** Mar. 30, 2021**

(54) **LATCH**
(71) Applicant: **D & D Group Pty Ltd**, Frenchs Forest (AU)
(72) Inventor: **James Scarlett**, Springwood (AU)
(73) Assignee: **D & D Group Pty Ltd**, Frenchs Forest (AU)
(**) Term: **15 Years**
(21) Appl. No.: **29/678,844**
(22) Filed: **Jan. 31, 2019**

D452,641 S * 1/2002 Portenier D8/341
6,347,819 B1 * 2/2002 Plaxco E05B 65/0007
292/228
6,513,351 B2 * 2/2003 Clark E05B 15/0093
70/101
7,021,678 B1 * 4/2006 Raoult A01K 1/0017
256/1
D556,539 S * 12/2007 Kiraly D8/331
D569,707 S * 5/2008 Antkowiak D8/331
D571,634 S * 6/2008 Antkowiak D8/331
D601,403 S * 10/2009 Cosby D8/331
D603,684 S * 11/2009 Martis D8/331
D605,493 S * 12/2009 Tejszerski D8/331
D614,014 S * 4/2010 Bo D8/331
7,883,124 B2 * 2/2011 Gephart E05C 3/30
292/210
D637,061 S * 5/2011 Mitchell D8/331

(Continued)

(30) **Foreign Application Priority Data**

Aug. 1, 2018 (AU) 201814595

(51) **LOC (13) Cl.** **08-07**

(52) **U.S. Cl.**
USPC **D8/331**

(58) **Field of Classification Search**
USPC D8/330, 331, 336, 338, 339, 341, 342,
D8/343, 344, 345
CPC E05B 57/00; E05B 65/0007; E05B 7/00;
E05B 17/2038; E05B 65/06; E05C 3/24;
E05C 3/30; E05C 3/16; Y10S 292/13;
Y10S 292/37; Y10S 292/29; Y10T
70/5363; Y10T 70/55

See application file for complete search history.

(56) **References Cited**

U.S. PATENT DOCUMENTS

D272,041 S * 1/1984 Harris D8/330
5,358,292 A * 10/1994 Van Wiebe E05B 53/003
292/125
D386,384 S * 11/1997 Rausch D8/330
D396,794 S * 8/1998 Francom D8/336
6,058,747 A * 5/2000 Doyle E05B 13/105
70/137
D439,497 S * 3/2001 Clark D8/331

OTHER PUBLICATIONS

D&D Latch, https://www.amazon.com/Technologies-LOKKLATCH-Adjustable-Vertical-Horizontal/dp/B07VWL4PTY/ref=pd_sbs_328_4/141-6294842-4360443?_encoding=UTF8&pd_rd_i=B07VWL4PTY&pd_rd_r=0f5b9a55-81e8-4928-9885-3b27c880b6f4&pd_rd_w=OhoSg&pd_rd_wg=UdUjk&pf_rd_p=b65ee94e-1282-43fc-a8b1-8bf931f6dfab&pf_rd_r=EQ (Year: 2019).*

Primary Examiner — Steven J Czyz
(74) *Attorney, Agent, or Firm* — Kelly & Kelley, LLP

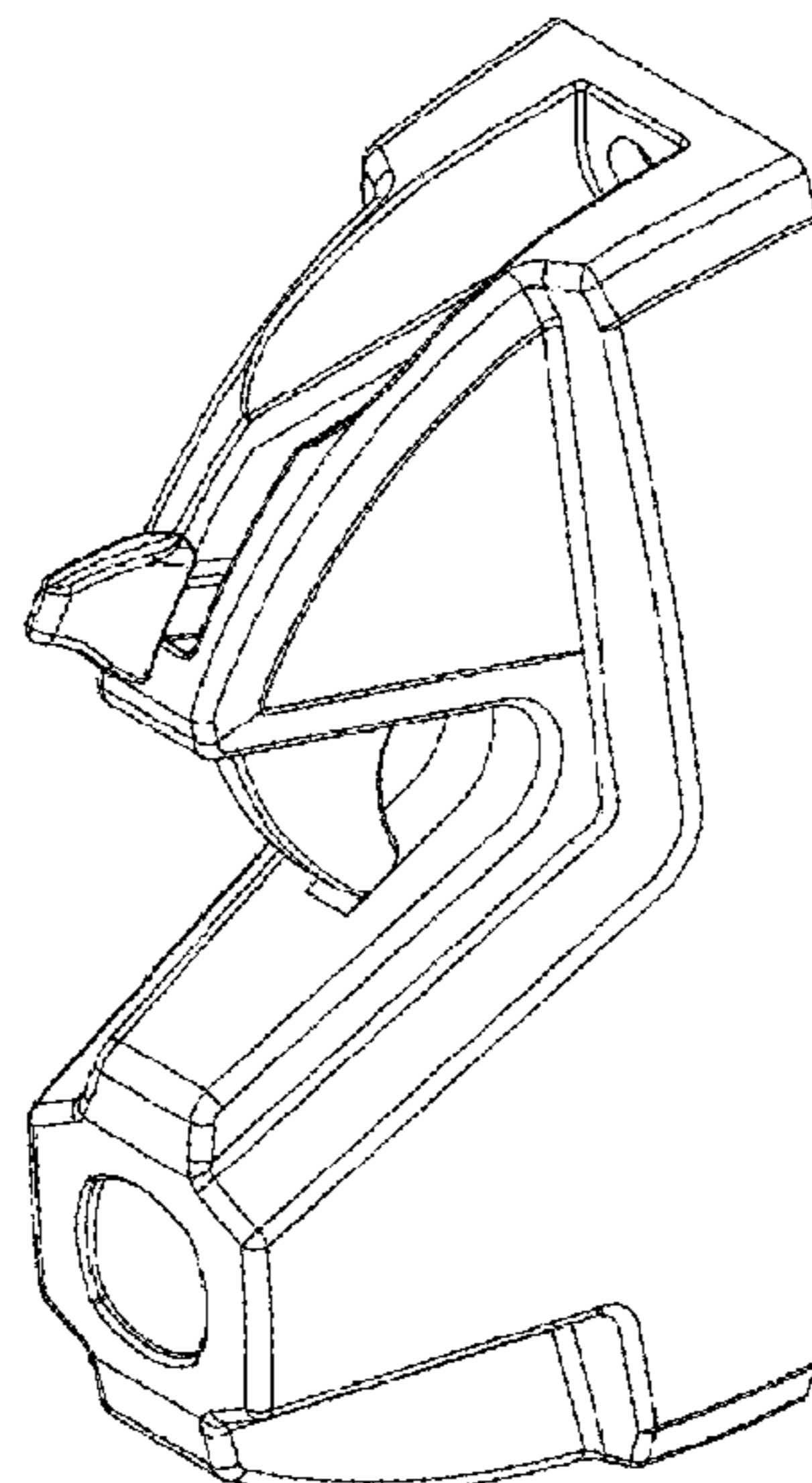
(57) **CLAIM**

The ornamental design for a latch, as shown.

DESCRIPTION

FIG. 1 is a top, front and left-side perspective view of a latch, embodying my new design;
FIG. 2 is a left-side elevational view thereof;
FIG. 3 is a right-side elevational view thereof;
FIG. 4 is a front elevational view thereof;
FIG. 5 is a top plan view thereof; and,
FIG. 6 is a bottom plan view thereof.

1 Claim, 6 Drawing Sheets



(56)

References Cited

U.S. PATENT DOCUMENTS

8,127,578	B2 *	3/2012	Karcz	E05B 65/0007 70/135
D657,227	S *	4/2012	Charette	D8/339
D662,397	S *	6/2012	Stuckey	D8/343
D672,631	S *	12/2012	Novak	D8/330
D673,026	S *	12/2012	Kubota	D8/343
D684,841	S *	6/2013	Brown	D8/331
D684,843	S *	6/2013	Charette	D8/336
8,636,308	B2 *	1/2014	Calamia, III	E05C 3/22 292/235
8,966,947	B2 *	3/2015	Karcz	E05B 65/0007 70/135
D737,656	S *	9/2015	Macernis	D8/331
9,528,306	B2 *	12/2016	Wept	E05C 3/30
D777,010	S *	1/2017	Sarnowski	D8/331
D789,770	S *	6/2017	Reeb	D8/330
D840,212	S *	2/2019	Huang	D8/331
D880,981	S *	4/2020	Buum	D8/331
D881,676	S *	4/2020	Langrell	D8/331

* cited by examiner

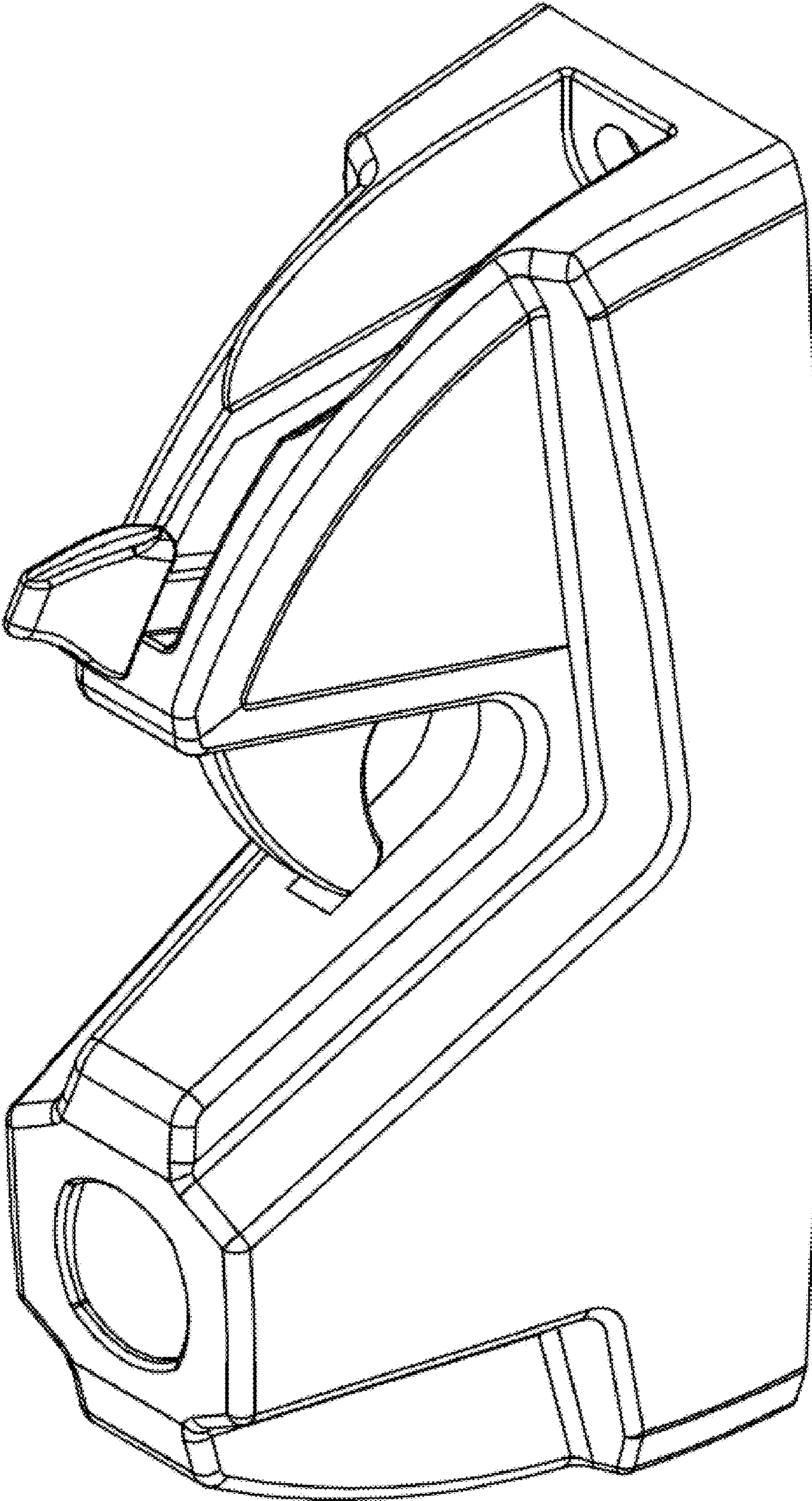


Fig. 1

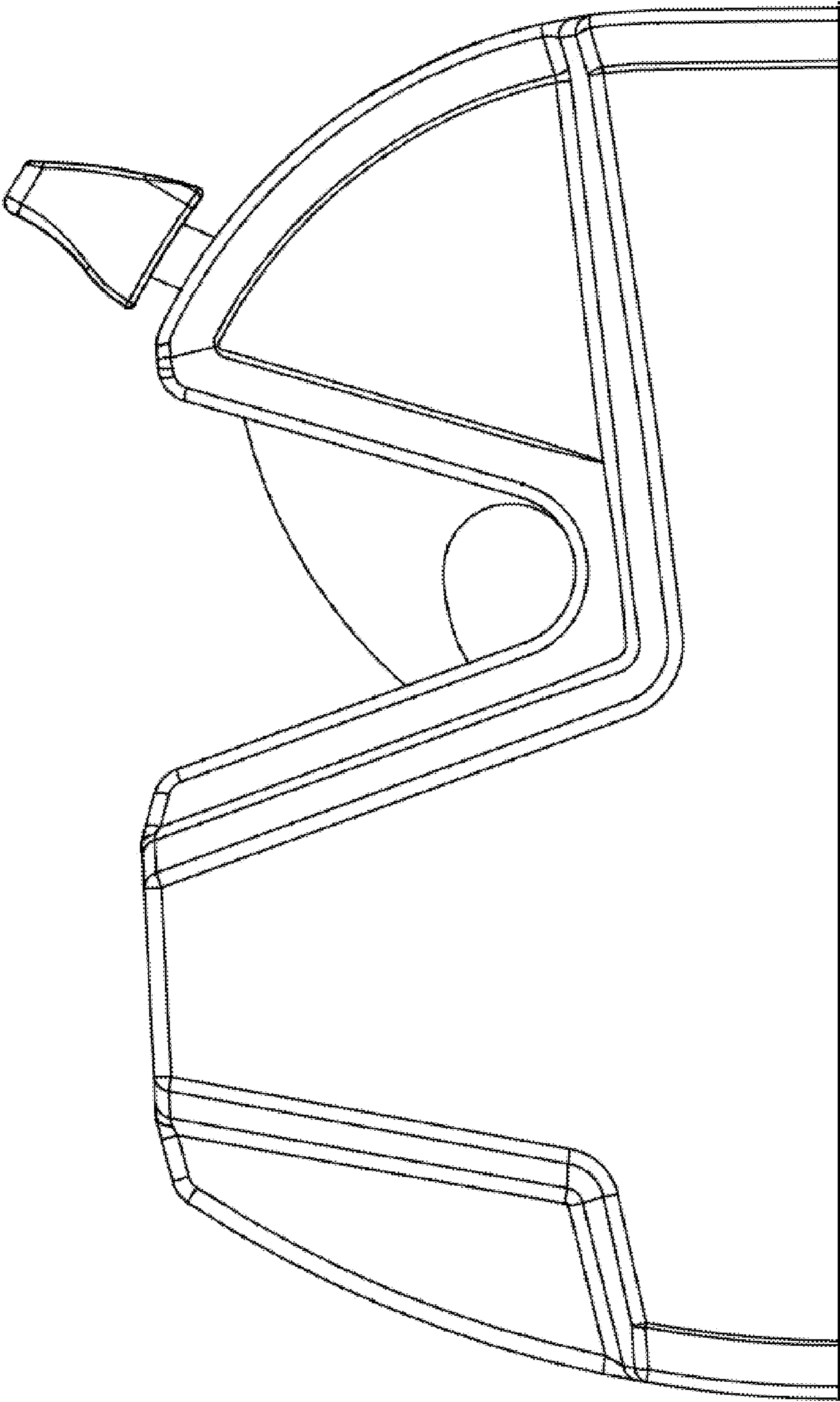


Fig. 2

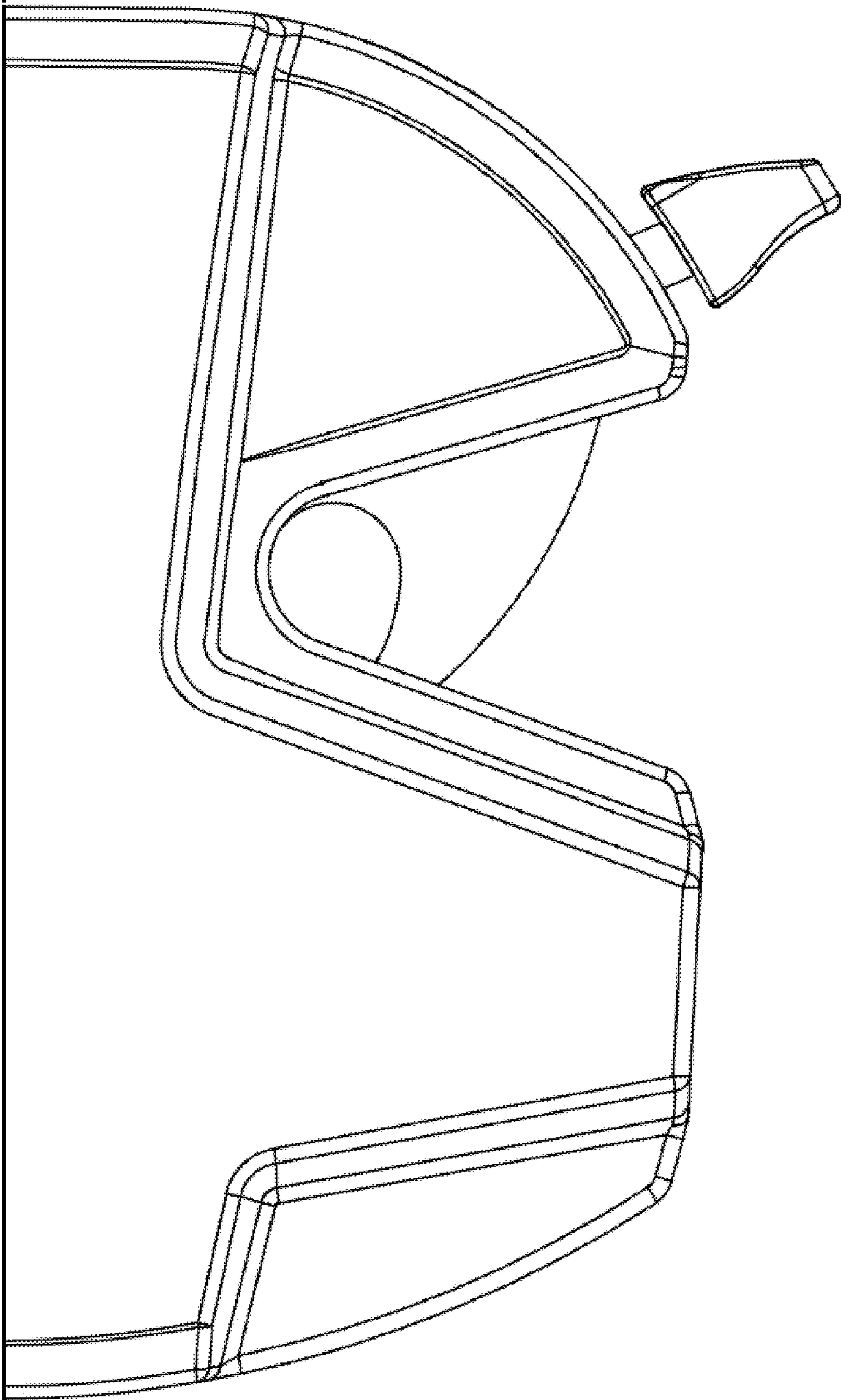


Fig. 3

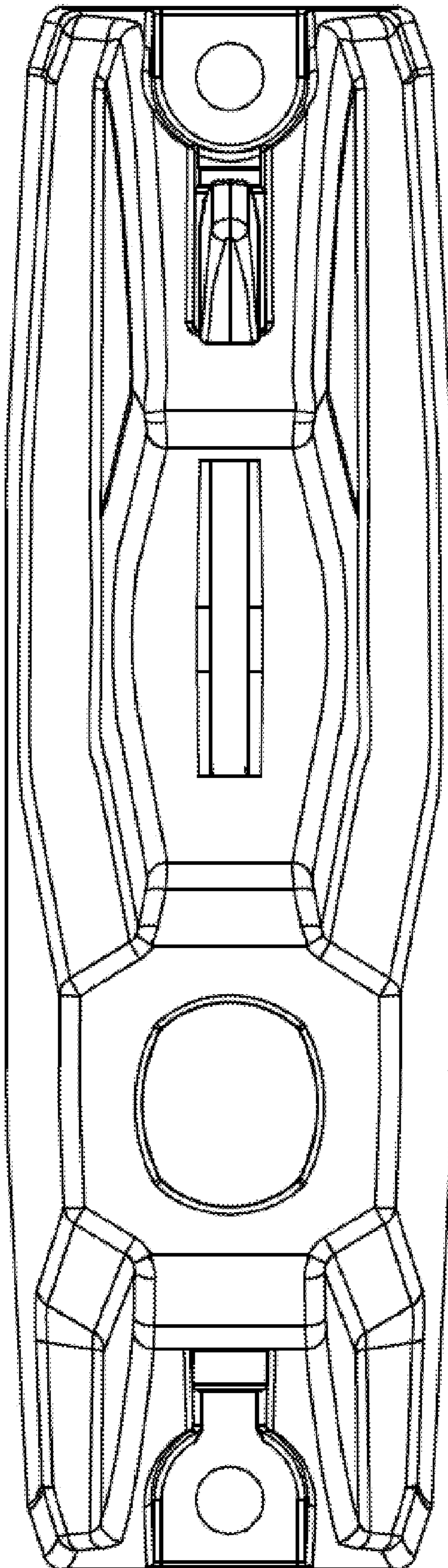


Fig. 4

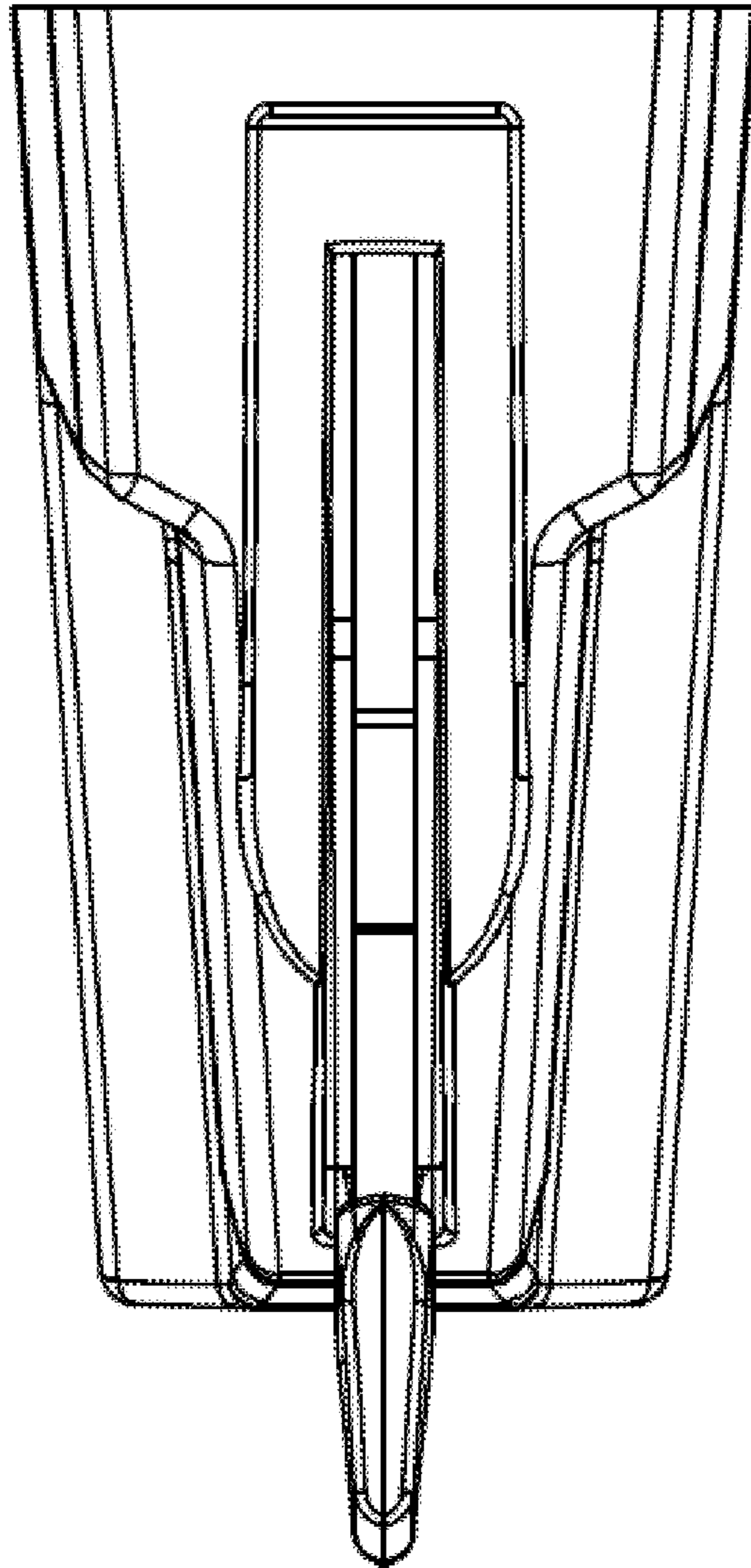


Fig. 5

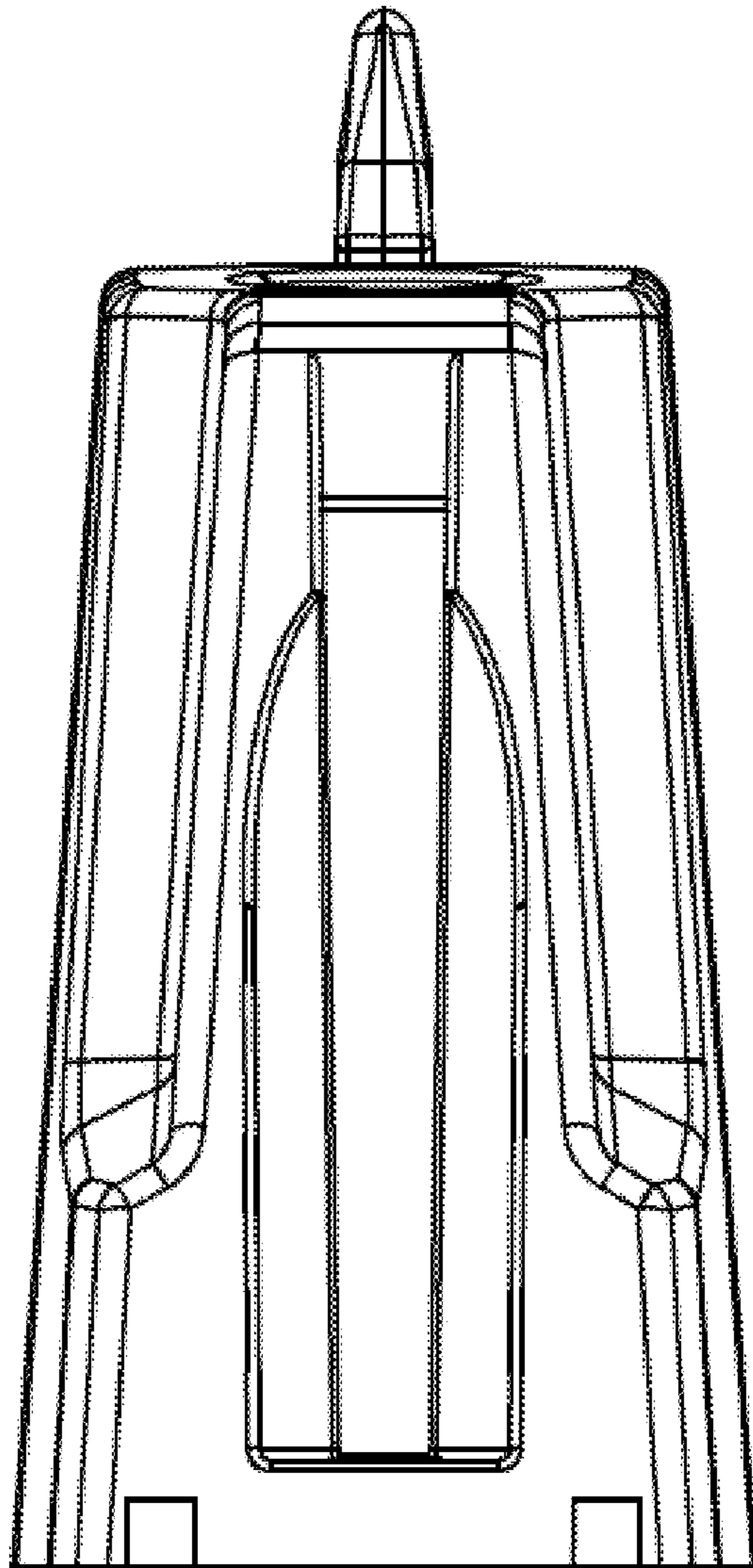


Fig. 6