



US00D914478S

(12) **United States Design Patent**  
**Spurrier et al.**

(10) **Patent No.:** **US D914,478 S**

(45) **Date of Patent:** **\*\* Mar. 30, 2021**

(54) **KNOB**

(71) Applicant: **Electrolux Home Products, Inc.**,  
Charlotte, NC (US)

(72) Inventors: **Alexander Paul Spurrier**, Charlotte,  
NC (US); **Christopher Shaw Burch**,  
Portland, OR (US)

(73) Assignee: **Electrolux Home Products, Inc.**,  
Charlotte, NC (US)

(\*\*) Term: **15 Years**

(21) Appl. No.: **29/712,738**

(22) Filed: **Nov. 11, 2019**

(51) **LOC (13) Cl.** ..... **08-06**

(52) **U.S. Cl.**  
USPC ..... **D8/311**

(58) **Field of Classification Search**  
USPC ..... D8/107, 300, 301, 307, 310, 311, 312;  
D10/102; D23/250, 421; D7/393, 394,  
D7/396, 543, 545, 547, 548  
CPC ... Y10T 292/57; Y10T 292/82; Y10T 16/469;  
Y10T 16/44; Y10T 16/476; Y10T  
74/2084; Y10T 292/85; Y10T 74/2087;  
Y10T 16/4713; Y10T 16/506; Y10T  
74/20876; Y10T 74/20612; Y10T  
70/5765; Y10T 16/459; Y10T 74/2066;  
Y10T 16/487; Y10T 74/20822

See application file for complete search history.

(56) **References Cited**

U.S. PATENT DOCUMENTS

D284,064	S	*	6/1986	Poissant	.....	D8/311
D498,657	S	*	11/2004	Milrud	.....	D8/311
D634,602	S	*	3/2011	Bengtson	.....	D8/311
D637,886	S	*	5/2011	Bengtson	.....	D8/311
D762,593	S	*	8/2016	Oneufer	.....	D13/174
D766,697	S	*	9/2016	Vergin	.....	D8/311
D840,210	S	*	2/2019	Kim	.....	D8/311
10,310,541	B2	*	6/2019	Gur	.....	G05G 1/105
2004/0070574	A1	*	4/2004	Wylie	.....	F24C 7/082
						345/184
2015/0370283	A1	*	12/2015	Lawson	.....	G05G 5/005
						74/553

\* cited by examiner

*Primary Examiner* — Lauren R Calve

(74) *Attorney, Agent, or Firm* — Banner & Witcoff, Ltd.

(57) **CLAIM**

The ornamental design for a knob, as shown and described.

**DESCRIPTION**

FIG. 1 is a front perspective view of a knob showing our new design;

FIG. 2 is a front view thereof;

FIG. 3 is a right side view thereof;

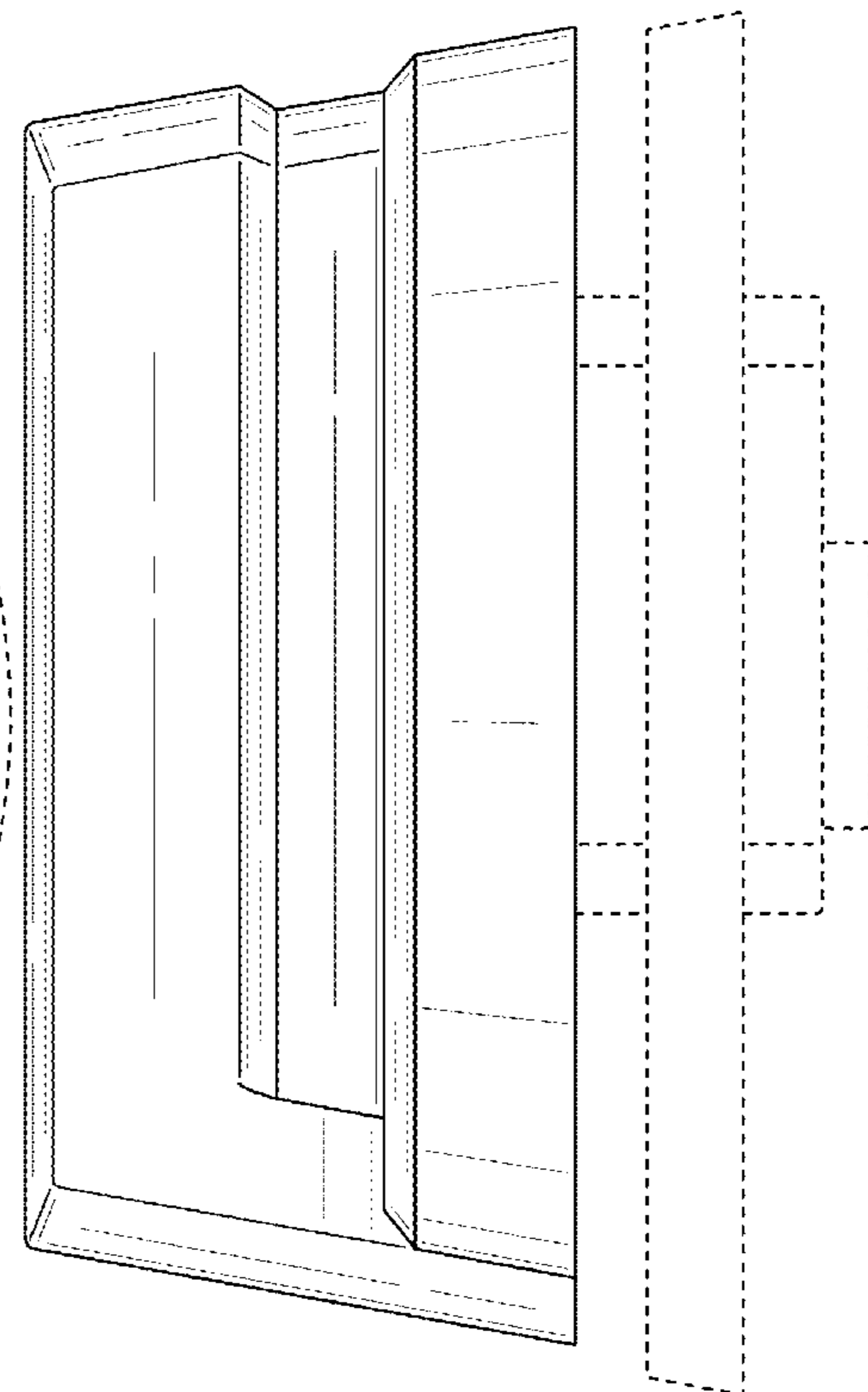
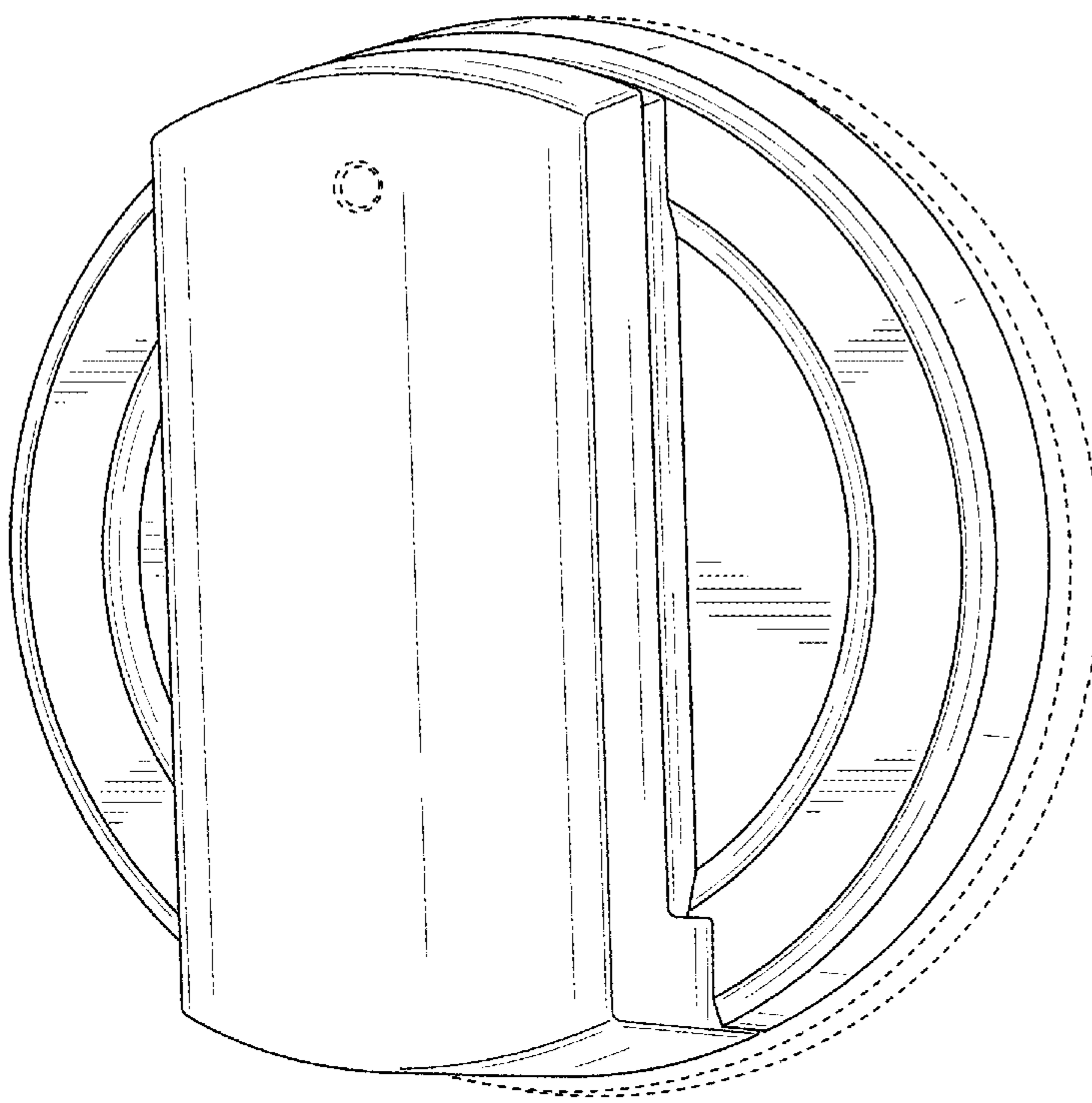
FIG. 4 is a left side view thereof;

FIG. 5 is a top view thereof; and,

FIG. 6 is a bottom view thereof.

The broken lines depicting the remainder of the knob represent features which form no part of the claimed design.

**1 Claim, 6 Drawing Sheets**



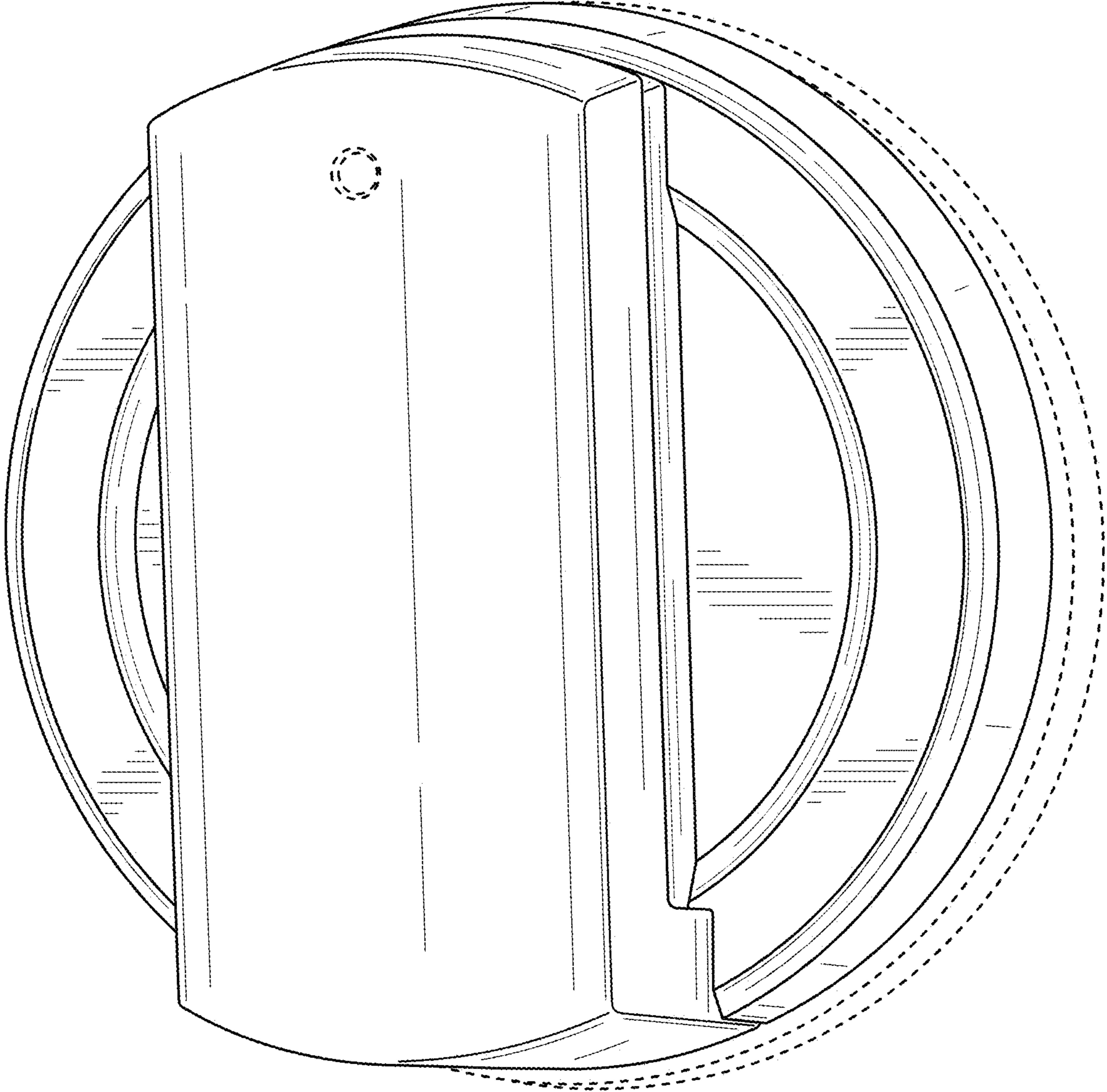


FIG. 1

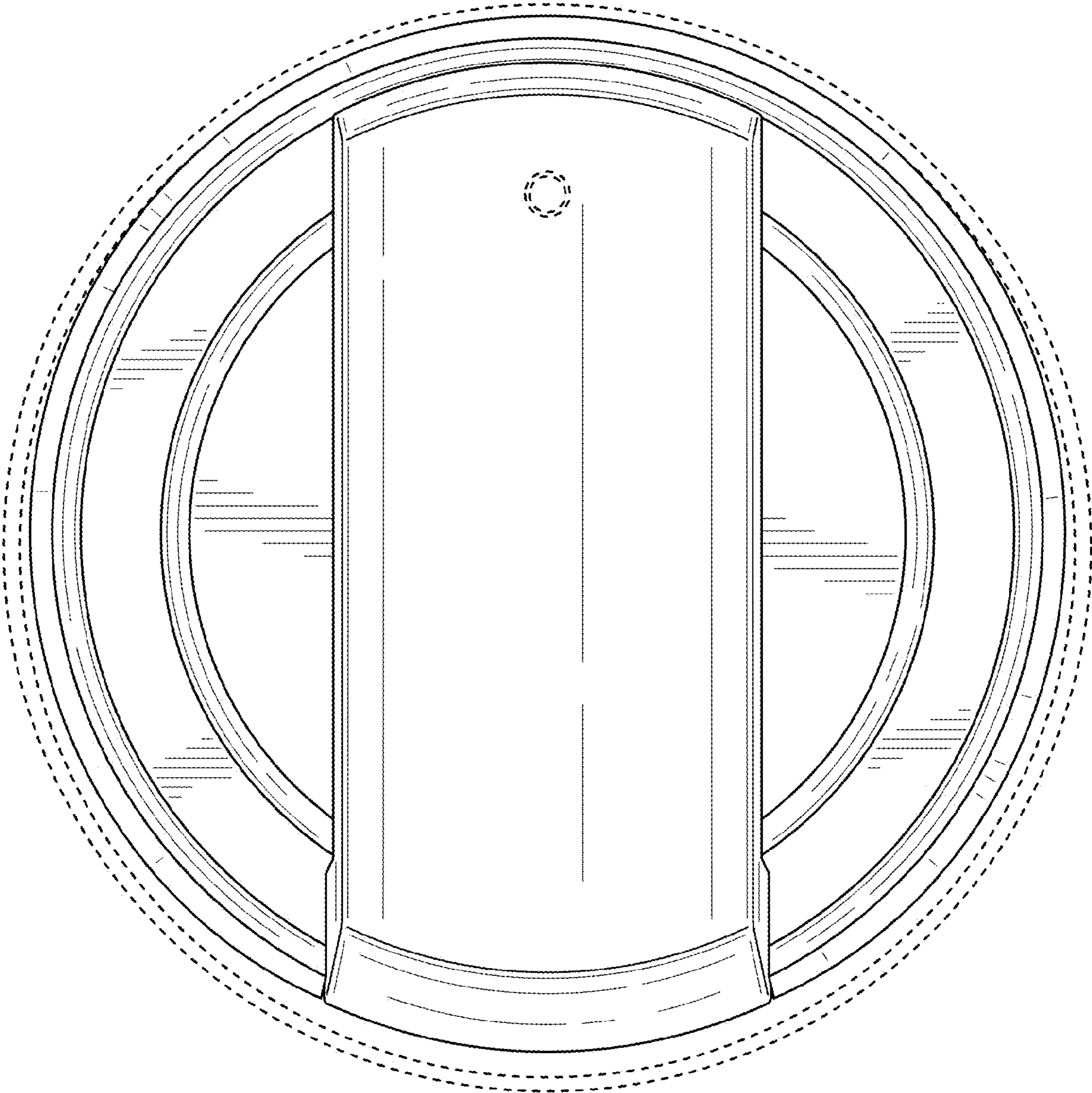


FIG. 2



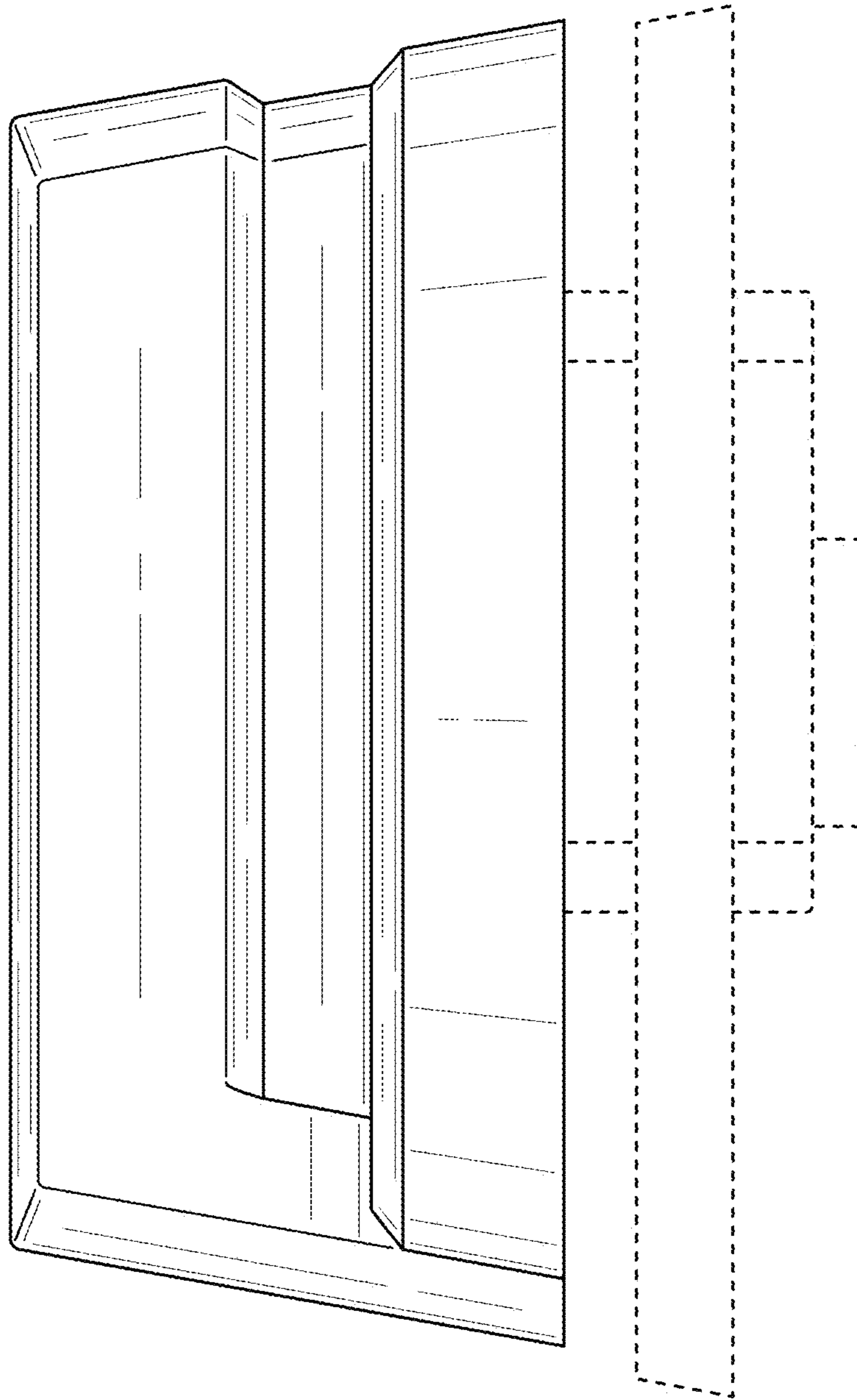


FIG. 3

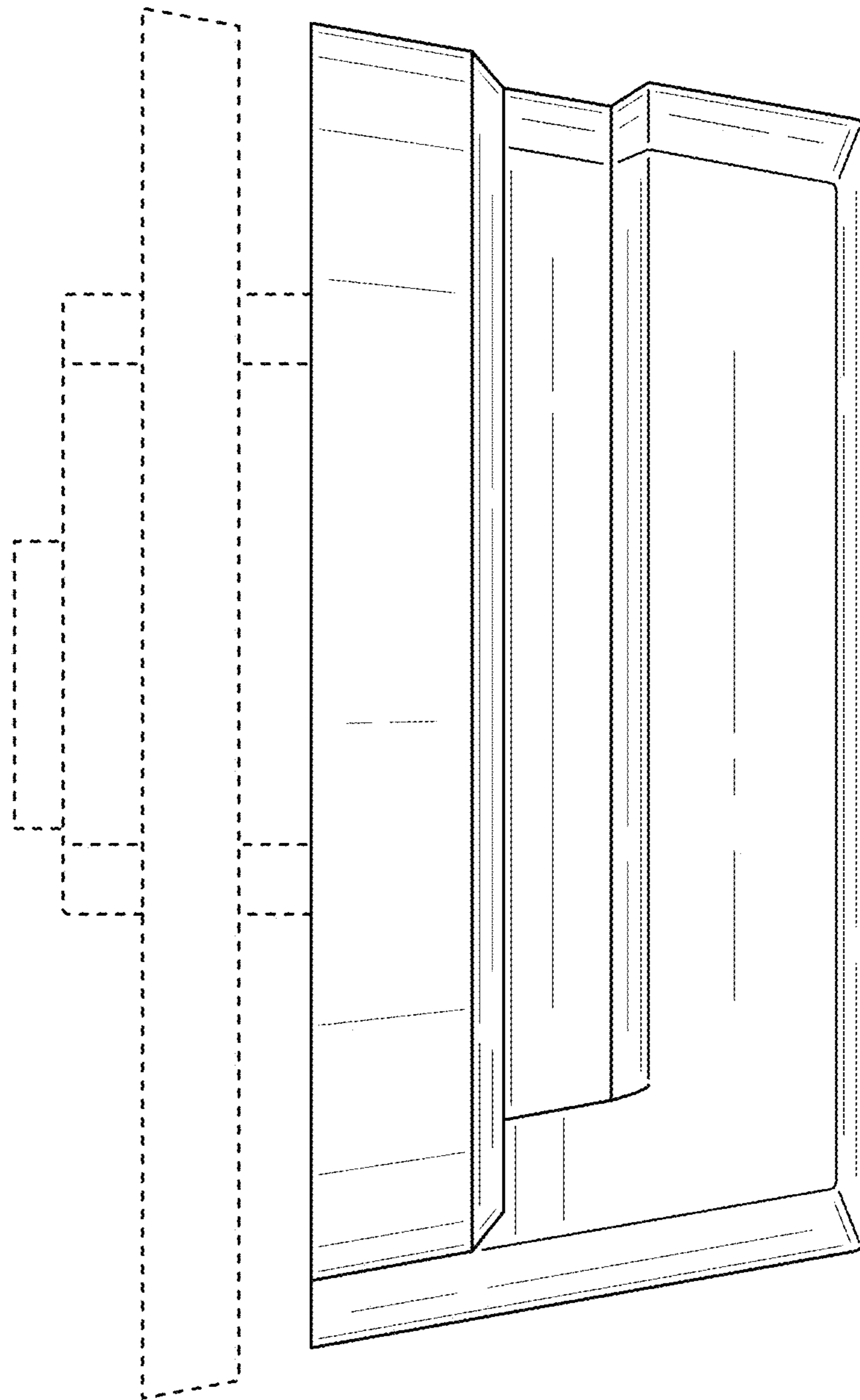


FIG. 4

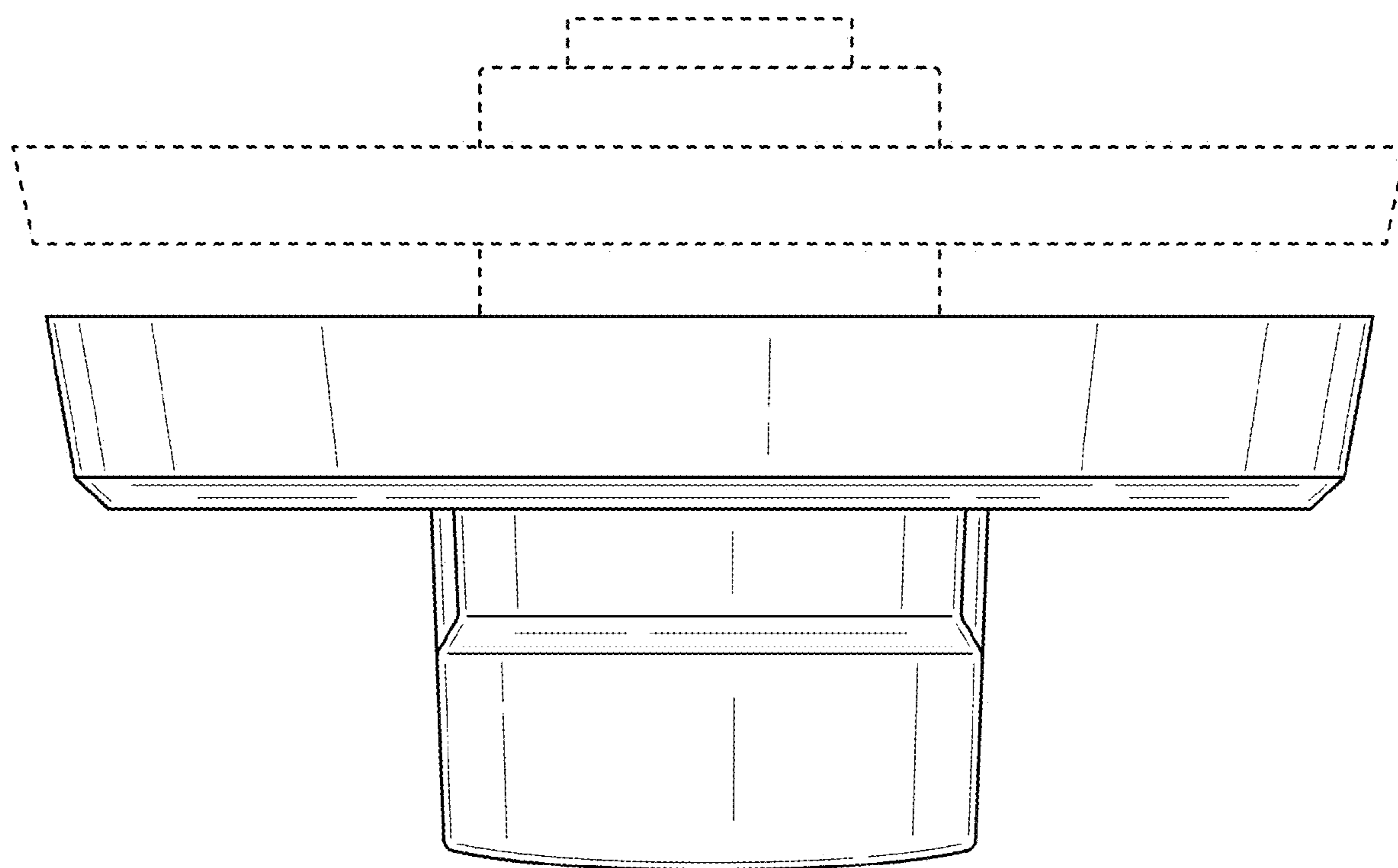


FIG. 5

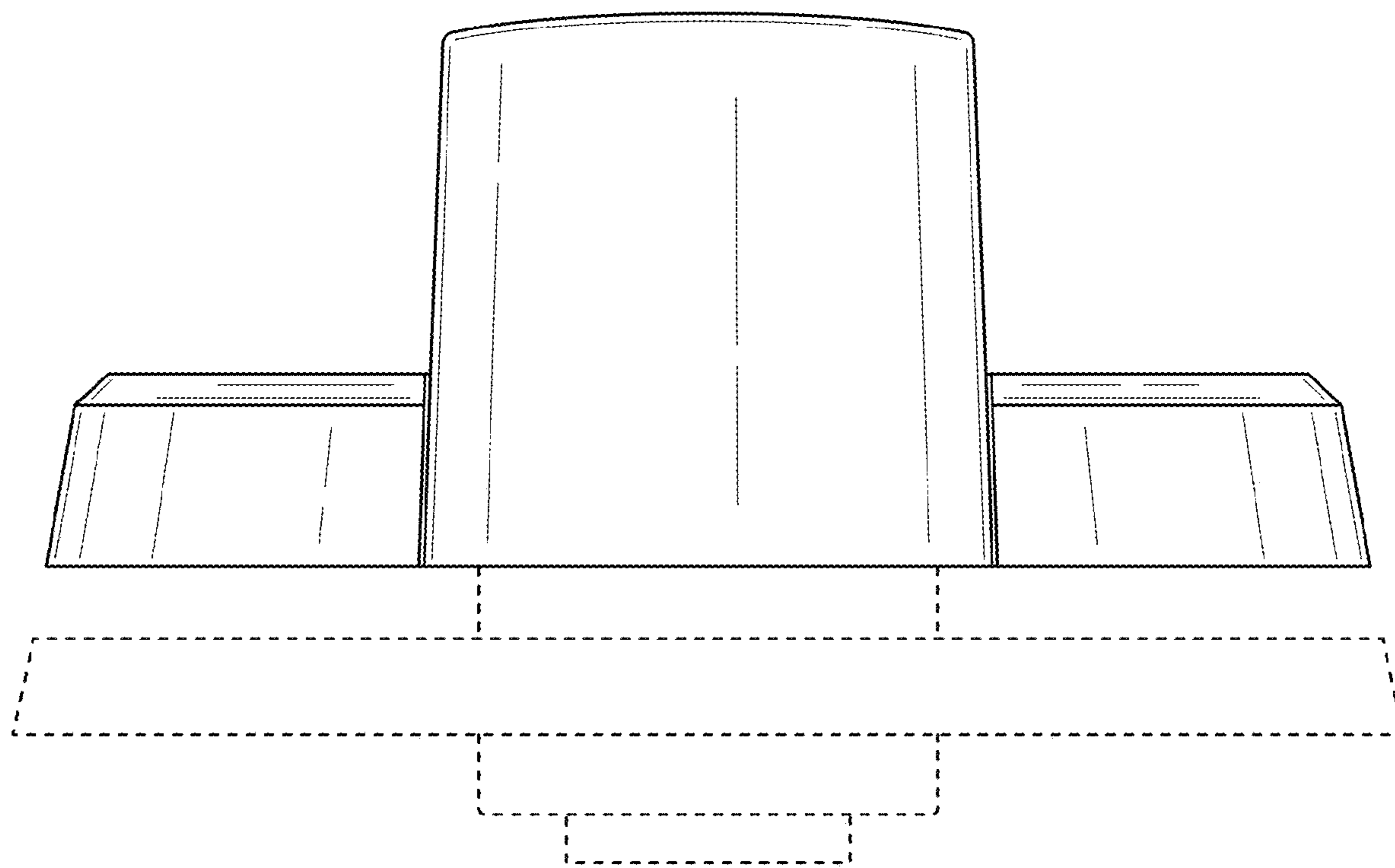


FIG. 6