



US00D914477S

(12) **United States Design Patent**
Watson

(10) **Patent No.:** **US D914,477 S**
(45) **Date of Patent:** **** Mar. 30, 2021**

- (54) **KNOB**
- (71) Applicant: **Schlage Lock Company LLC**, Carmel, IN (US)
- (72) Inventor: **Aida K. N. Watson**, Noblesville, IN (US)
- (73) Assignee: **Schlage Lock Company LLC**, Carmel, IN (US)
- (**) Term: **15 Years**
- (21) Appl. No.: **29/720,175**
- (22) Filed: **Jan. 10, 2020**
- (51) **LOC (13) Cl.** **08-06**
- (52) **U.S. Cl.**
USPC **D8/310**
- (58) **Field of Classification Search**
USPC D8/300, 307, 310; D7/393; D23/250, D23/252, 254
CPC ... Y10T 292/57; Y10T 16/469; Y10T 292/82; Y10T 74/2084; Y10T 292/85; Y10T 16/458; Y10T 16/506; Y10T 70/5155; Y10T 16/46; Y10T 16/4559; Y10T 74/20828; Y10T 70/8541; Y10T 74/20612; Y10T 16/459; Y10T 16/487; Y10T 70/5389; Y10T 16/462; Y10T 16/4636; E05B 1/0007; E05B 3/00; Y10S 16/30; Y10S 292/53; Y10S 292/27
See application file for complete search history.

D526,882 S *	8/2006	Veltz	D8/307
D554,469 S *	11/2007	Sato	D8/310
D736,589 S *	8/2015	Watson	D8/310
D787,297 S *	5/2017	Zimmer	D8/310
D865,496 S *	11/2019	Shen	D8/367
2010/0139046 A1 *	6/2010	Daniels	E05B 1/0015 16/414

OTHER PUBLICATIONS

Lumens Light and Living; Gem Round Multi-Light Pendant by Levi Wilson for Hammerton Studio; www.lumens.com; Nov. 14, 2019; 3 pages.

* cited by examiner

Primary Examiner — Lauren R Calve
(74) *Attorney, Agent, or Firm* — Taft Stettinius & Hollister LLP

(57) **CLAIM**

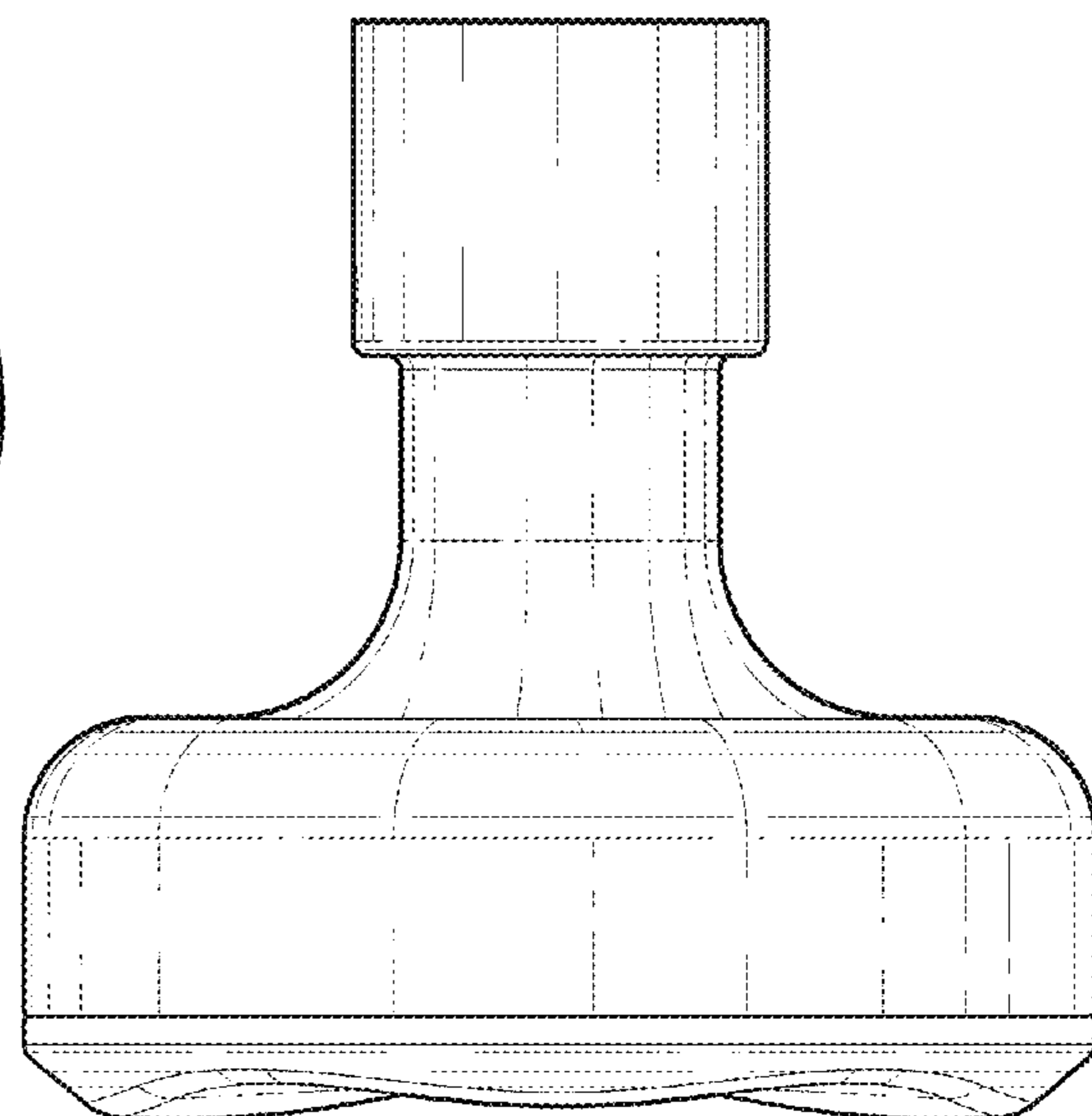
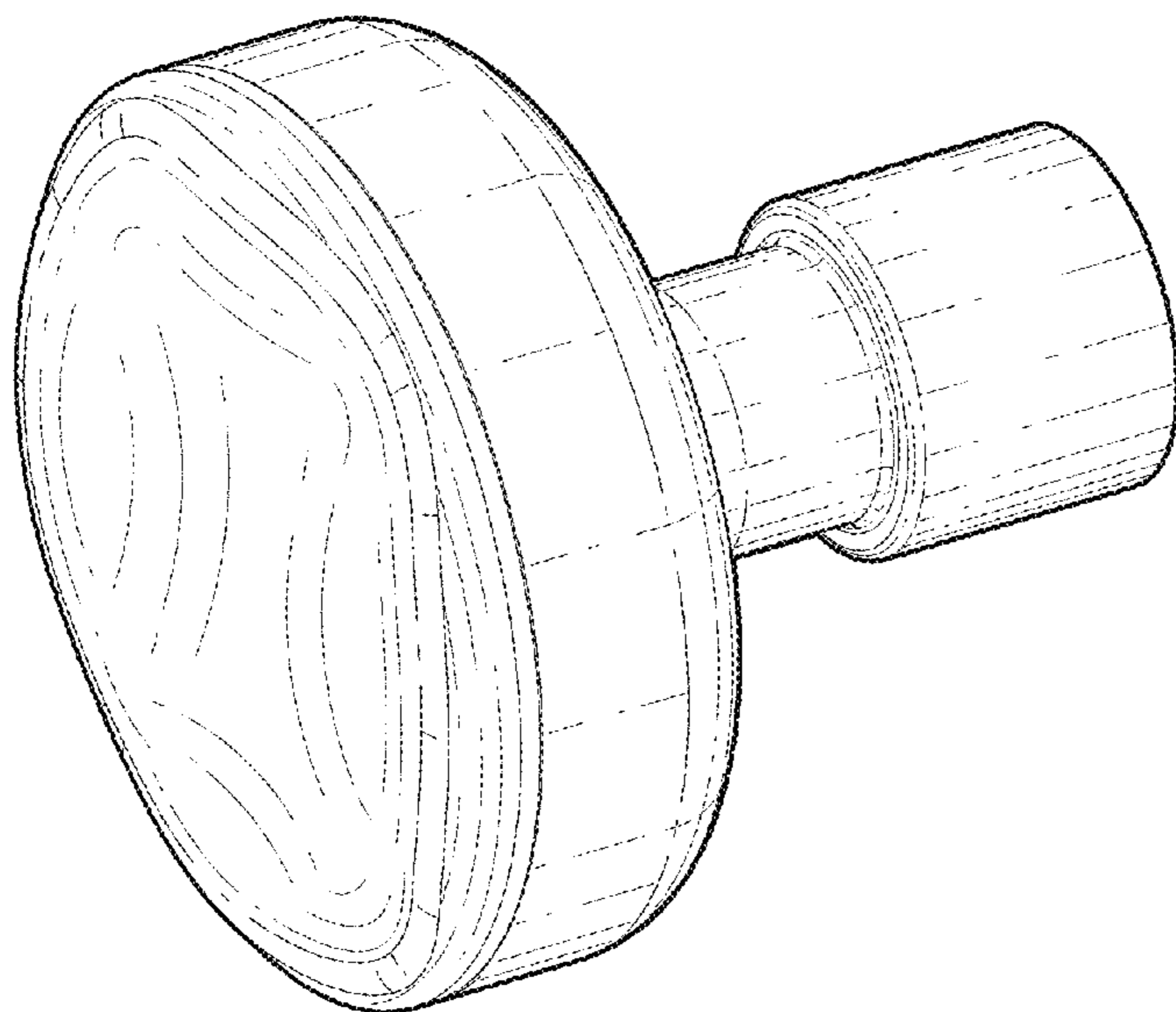
The ornamental design for a knob, as shown and described.

DESCRIPTION

FIG. 1 is a front, top, right side perspective view of a knob showing my new design;
FIG. 2 is a rear, bottom, left side perspective view thereof;
FIG. 3 is a front elevational view thereof;
FIG. 4 is a top plan view thereof;
FIG. 5 is a bottom plan view thereof;
FIG. 6 is a right side elevational view thereof; and,
FIG. 7 is a left side elevational view thereof.
The broken lines in the drawing figures form no part of the claimed design.

1 Claim, 4 Drawing Sheets

- (56) **References Cited**
U.S. PATENT DOCUMENTS
D196,964 S * 11/1963 La Verne D8/307
3,677,593 A * 7/1972 Wahlberg E05C 1/163
292/356



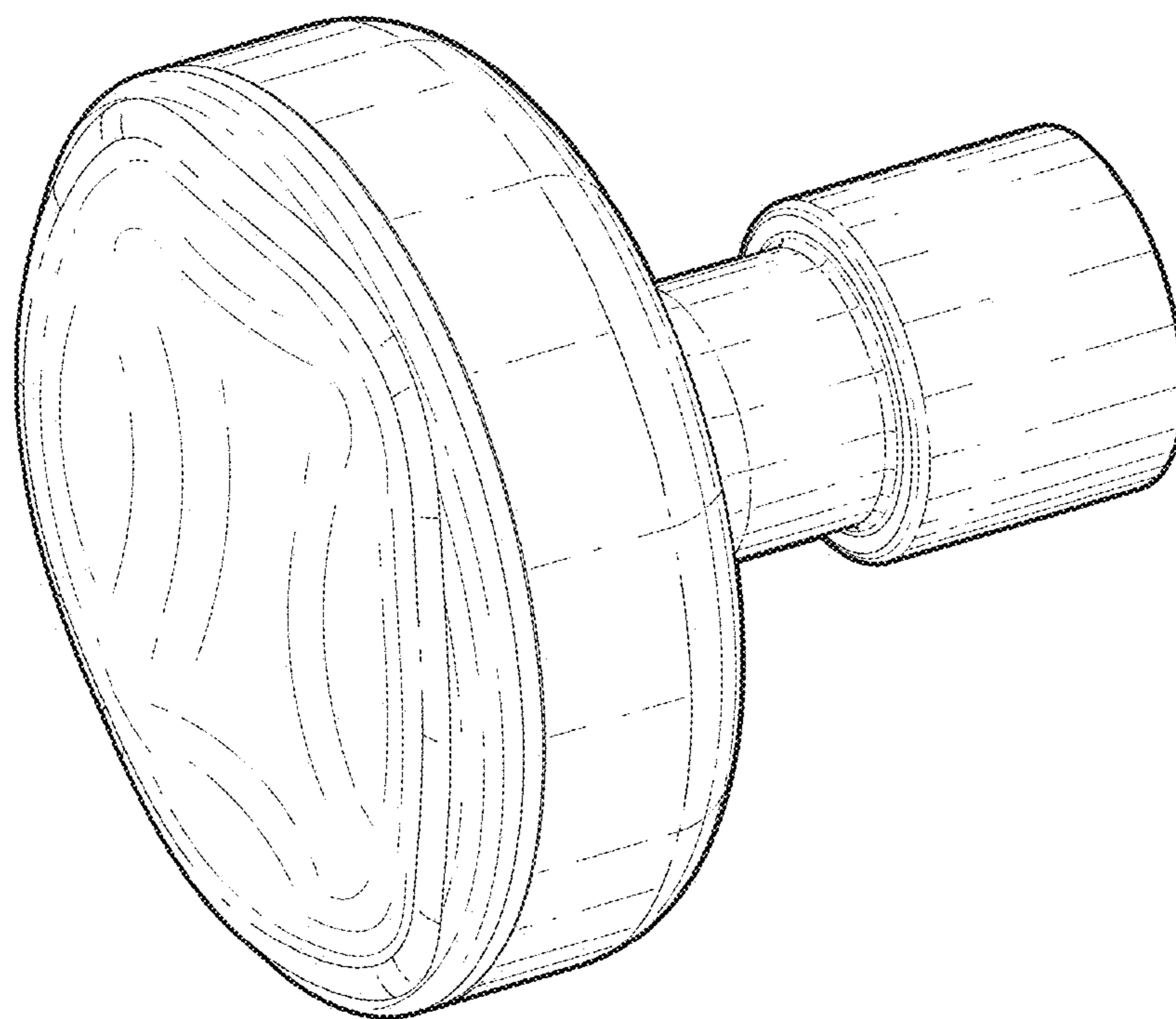


Fig. 1

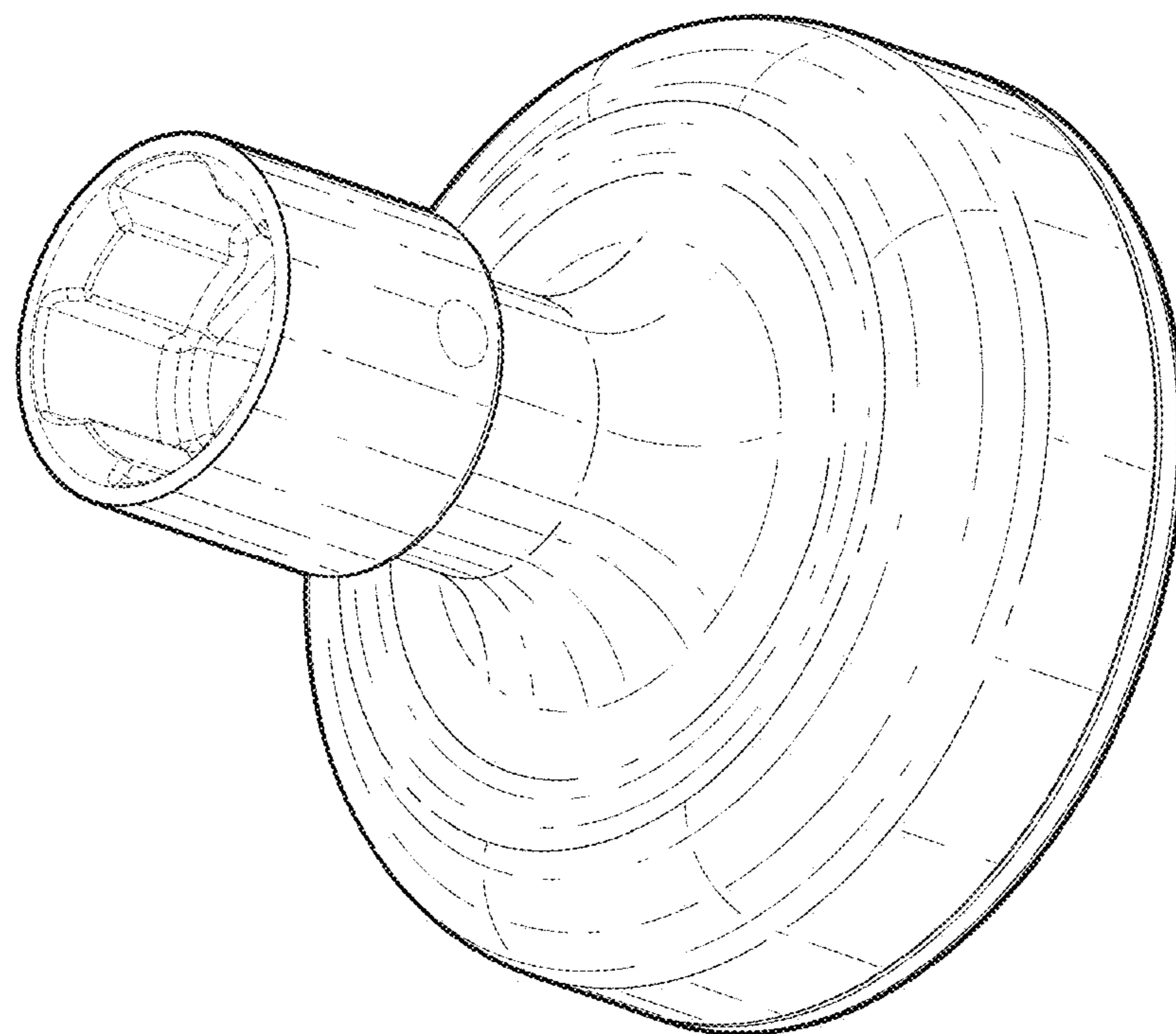


Fig. 2

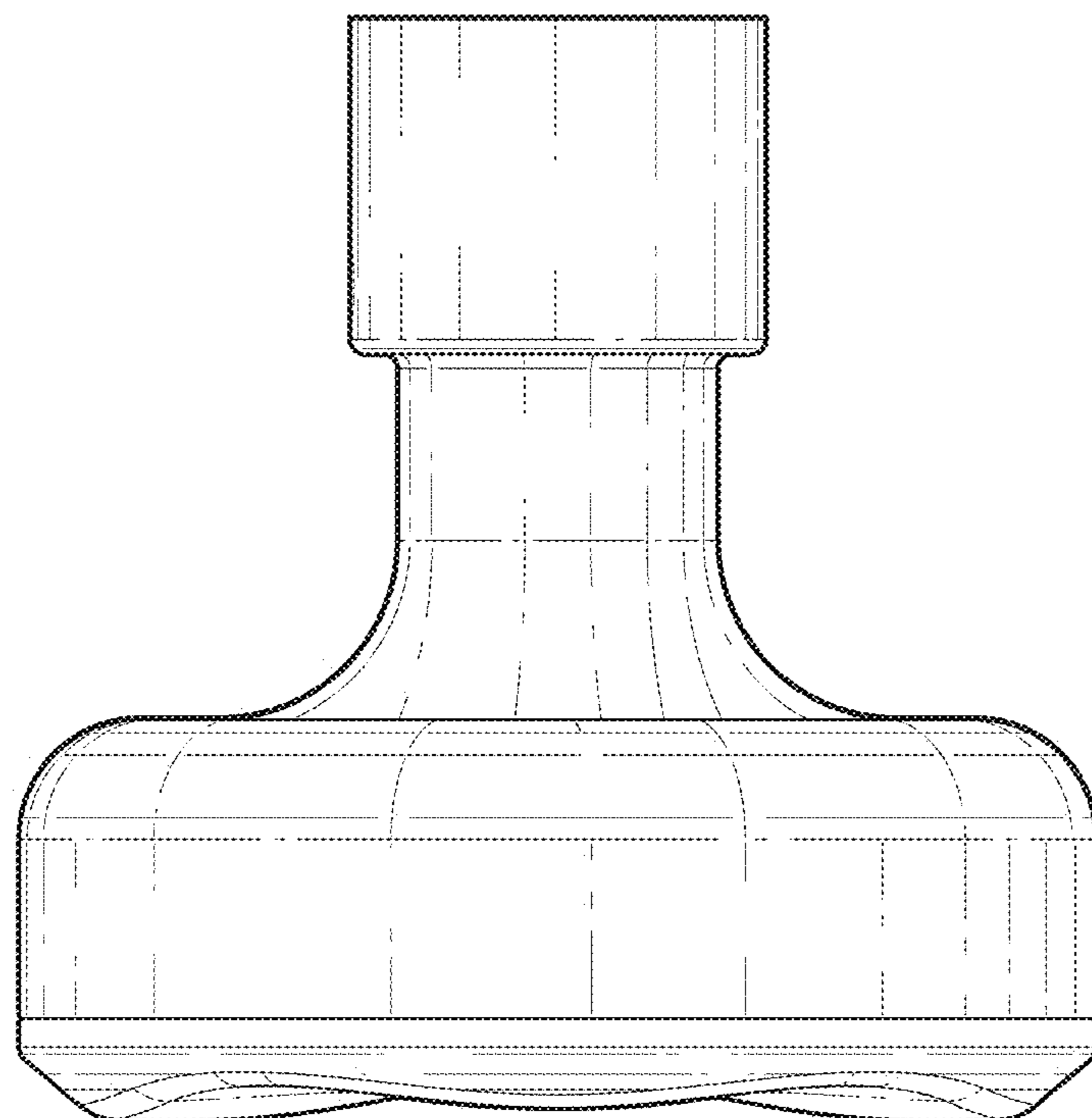


Fig. 4

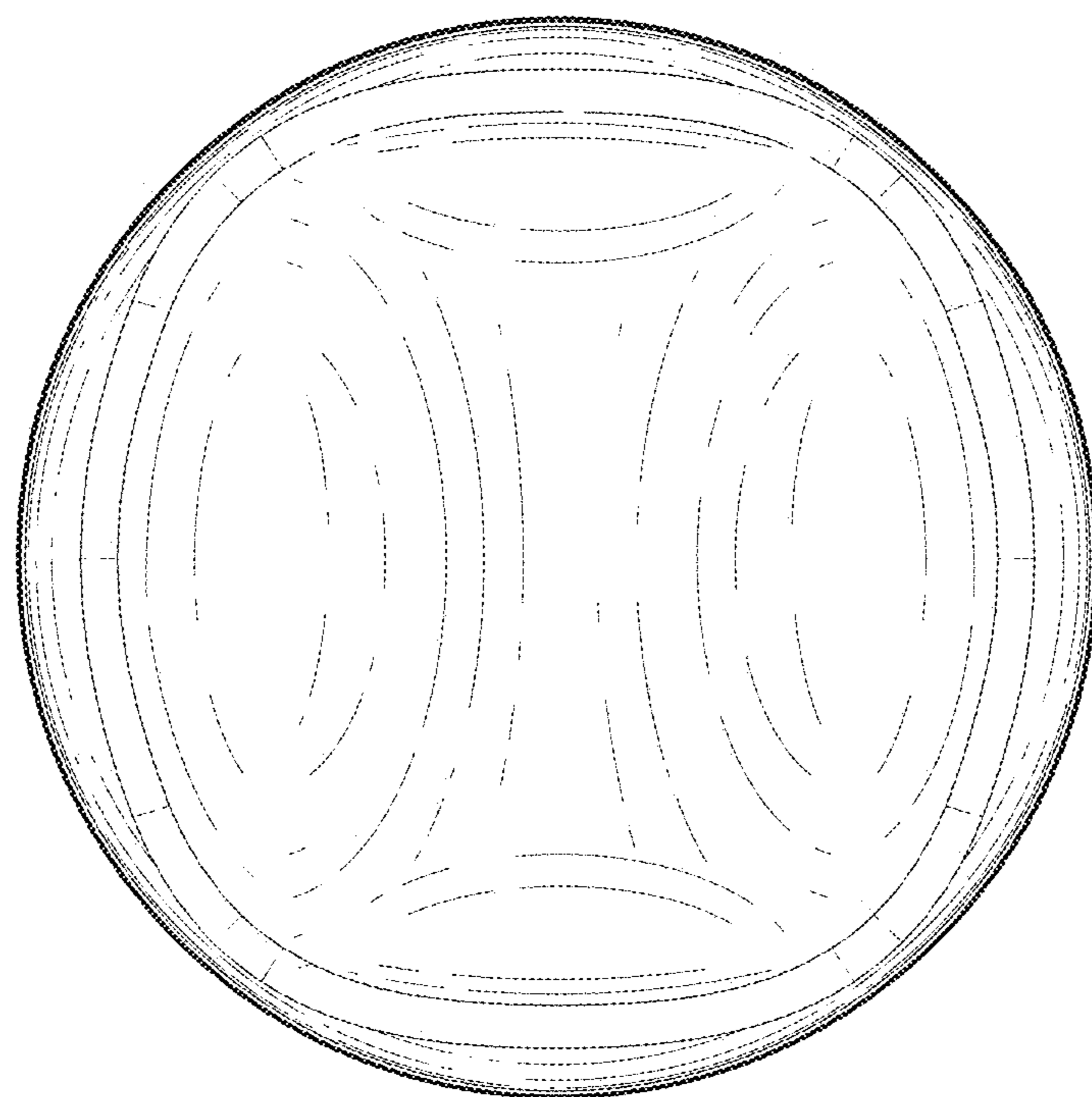


Fig. 3

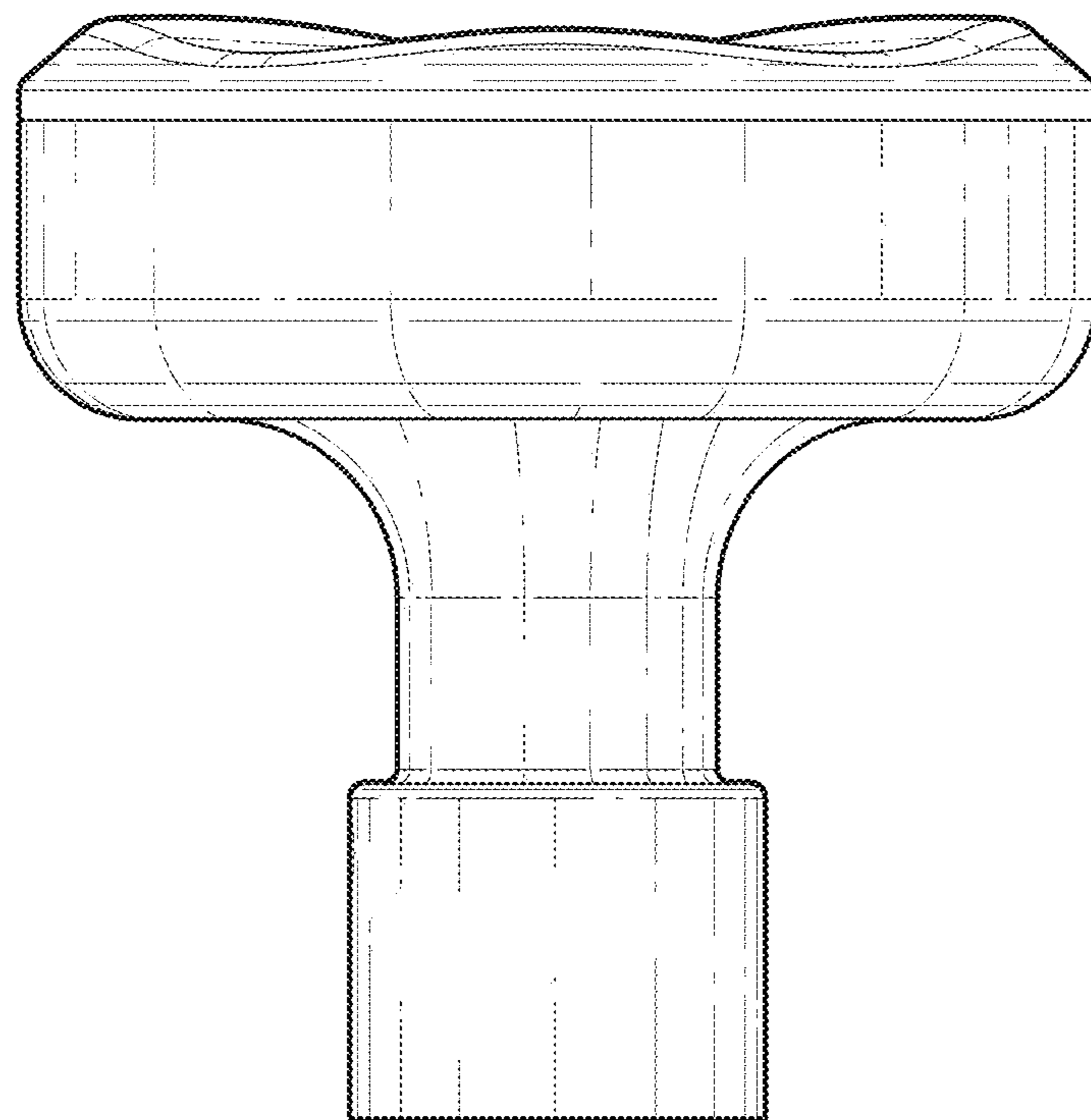


Fig. 5

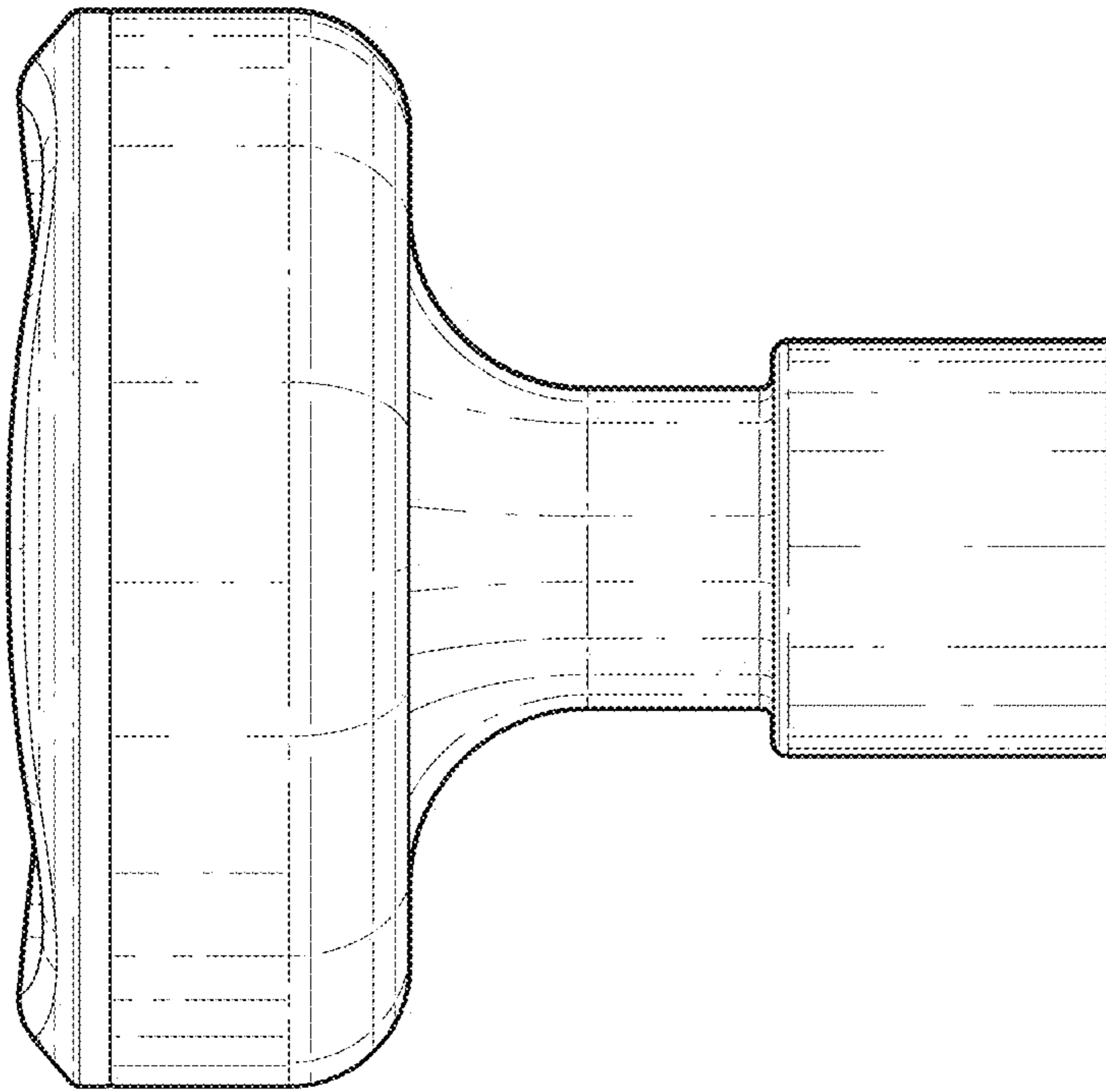


Fig. 6

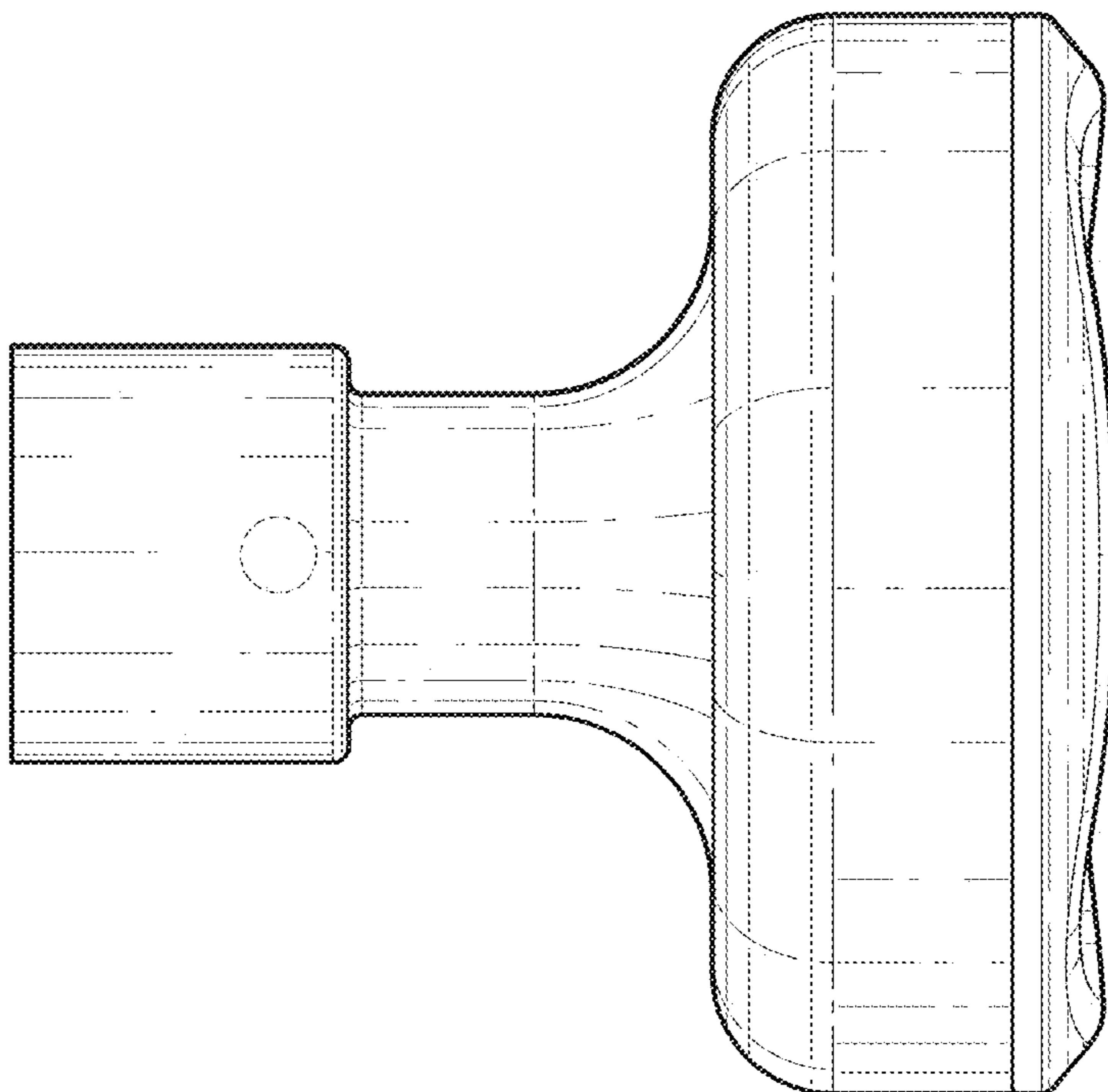


Fig. 7