



US00D914476S

(12) **United States Design Patent** (10) **Patent No.:** **US D914,476 S**  
**Tryubova** (45) **Date of Patent:** **\*\* Mar. 30, 2021**

(54) **DRIVING BIT HEAD FOR MANUAL AND POWERED SCREWDRIVERS**

(74) *Attorney, Agent, or Firm* — Kilpatrick Townsend & Stockton LLP

(71) Applicant: **DISH Network L.L.C.**, Englewood, CO (US)

(57) **CLAIM**

The ornamental design for the driving bit head for manual and powered screwdrivers, as shown and described.

(72) Inventor: **Svitlana Tryubova**, Lakewood, CO (US)

(73) Assignee: **DISH Network L.L.C.**, Englewood, CO (US)

**DESCRIPTION**

(\*\*) Term: **15 Years**

FIG. 1 is a perspective view of the first embodiment of a driving bit head for manual and powered screwdrivers, showing the new design;

(21) Appl. No.: **29/665,565**

FIG. 2 is an enlarged perspective view of the tip of the driving bit head for manual and powered screwdrivers;

(22) Filed: **Oct. 4, 2018**

FIG. 3 is another perspective view of the driving bit head for manual and powered screwdrivers;

(51) **LOC (13) Cl.** ..... **08-04**

(52) **U.S. Cl.**  
USPC ..... **D8/82; D8/86**

FIG. 4 is a first side view thereof;

(58) **Field of Classification Search**

USPC ..... D8/70, 82, 85, 86, 393; D15/139  
CPC ..... F16B 23/003; F16B 23/0061; F16B 23/0007; F16B 23/0023; F16B 23/0015; F16B 23/0038; F16B 23/0046; A61B 17/861; B25B 15/00; B25B 15/001; B25B 15/002; B25B 15/004; B25B 15/005; B25B 15/007; B25B 15/008; Y10T 403/7016; Y10S 411/919

FIG. 5 is a second side view thereof;

FIG. 6 is a third side view thereof;

FIG. 7 is fourth side view thereof;

FIG. 8 is a bottom view thereof; and

FIG. 9 is a top view thereof.

FIG. 10 is a perspective view of the second embodiment of a driving bit head for manual and powered screwdrivers, showing the new design;

See application file for complete search history.

FIG. 11 is an enlarged perspective view of the tip of the driving bit head for manual and powered screwdrivers;

FIG. 12 is another perspective view of the driving bit head for manual and powered screwdrivers;

FIG. 13 is a first side view thereof;

FIG. 14 is a second side view thereof;

FIG. 15 is a third side view thereof;

FIG. 16 is fourth side view thereof;

FIG. 17 is a bottom view thereof; and,

FIG. 18 is a top view thereof.

The broken lines in the drawings illustrate portions of the driving bit head for manual and powered screwdrivers and form no part of the claimed design.

(56) **References Cited**

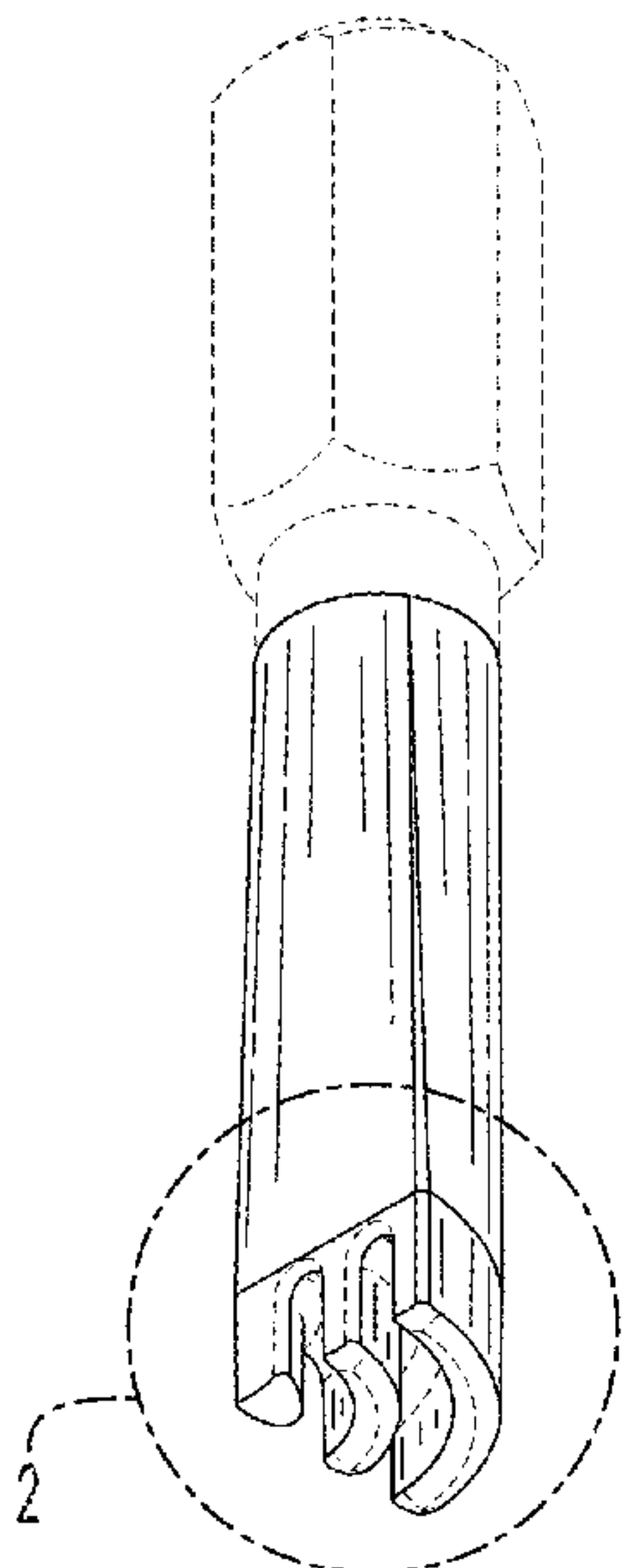
U.S. PATENT DOCUMENTS

RE6,730 E	11/1875	Cummings	
847,774 A *	3/1907	Hoffman	..... B25B 23/106 81/448
1,177,810 A	4/1916	Rogness	
2,015,878 A *	10/1935	Trotter	..... B25B 15/005 81/448

(Continued)

*Primary Examiner* — Sandra Snapp  
*Assistant Examiner* — Ieisha N Price

**1 Claim, 7 Drawing Sheets**



(56)

References Cited

U.S. PATENT DOCUMENTS

2,180,633	A *	11/1939	Holt	.....	F16B 23/0007	5,366,330	A *	11/1994	Cosenza	.....	B25B 13/065
					411/405						411/405
2,258,326	A	10/1941	Holt			5,722,808	A	3/1998	Pritchard		
2,418,960	A *	4/1947	Todd	.....	F16B 23/0015	5,772,374	A	6/1998	Ide et al.		
					411/403	5,779,410	A	7/1998	Lautenschlager et al.		
2,684,094	A *	7/1954	Lissy	.....	B25B 15/007	D423,901	S *	5/2000	DePrisco	.....	D8/86
					81/436	D453,289	S *	2/2002	Campbell	.....	D8/86
3,236,141	A *	2/1966	Smith	.....	F16B 23/0007	6,843,153	B1	1/2005	Rawson-Harris		
					269/48.3	D506,922	S	7/2005	Simon		
3,236,275	A *	2/1966	Smith	.....	B25B 15/004	7,013,767	B1 *	3/2006	Seim	.....	B25B 15/007
					81/460						411/919
3,283,837	A *	11/1966	McKain	.....	E21B 10/36	D807,139	S *	1/2018	Riskin	.....	D8/86
					175/414	D843,826	S	3/2019	Tomei		
3,463,209	A	8/1969	Podolsky			2001/0007629	A1	7/2001	Carlo		
3,540,342	A *	11/1970	Vaughn	.....	F16B 23/0015	2004/0028499	A1	2/2004	Levey et al.		
					411/407	2004/0122442	A1 *	6/2004	Lewis	.....	A61B 17/861
3,658,105	A *	4/1972	Burt	.....	B25B 15/005						606/104
					81/460	2007/0122250	A1	5/2007	Mullner, Jr.		
3,726,330	A	4/1973	Adler			2008/0219801	A1	9/2008	Toenjes		
3,872,904	A *	3/1975	Barlow	.....	B25B 15/005	2009/0104002	A1	4/2009	Dilling		
					81/460	2009/0260489	A1	10/2009	Siong		
4,037,514	A *	7/1977	Lliteras	.....	B25B 15/007	2010/0104397	A1	4/2010	Nojikawa		
					411/403	2010/0196121	A1	8/2010	Karupaya		
D264,552	S	5/1982	Bogren			2010/0195710	A1	8/2012	Shao		
D312,034	S *	11/1990	Espin	.....	D15/139	2012/0195710	A1	4/2013	Gong et al.		
D330,206	S *	10/1992	Slutz	.....	D15/139	2013/0089389	A1	3/2014	Dawson et al.		
5,353,667	A *	10/1994	Wilner	.....	B25B 15/007	2014/0086705	A1	3/2014	Dawson et al.		
					81/436	2015/0071732	A1	3/2015	Hong		
						2015/0125236	A1	5/2015	Lin		
						2018/0193986	A1 *	7/2018	Tissieres	.....	F16B 23/0053
						2018/0320727	A1	11/2018	Hsu		
						2019/0063480	A1	2/2019	Lajewardi et al.		
						2020/0108489	A1	4/2020	Trygubova		

\* cited by examiner

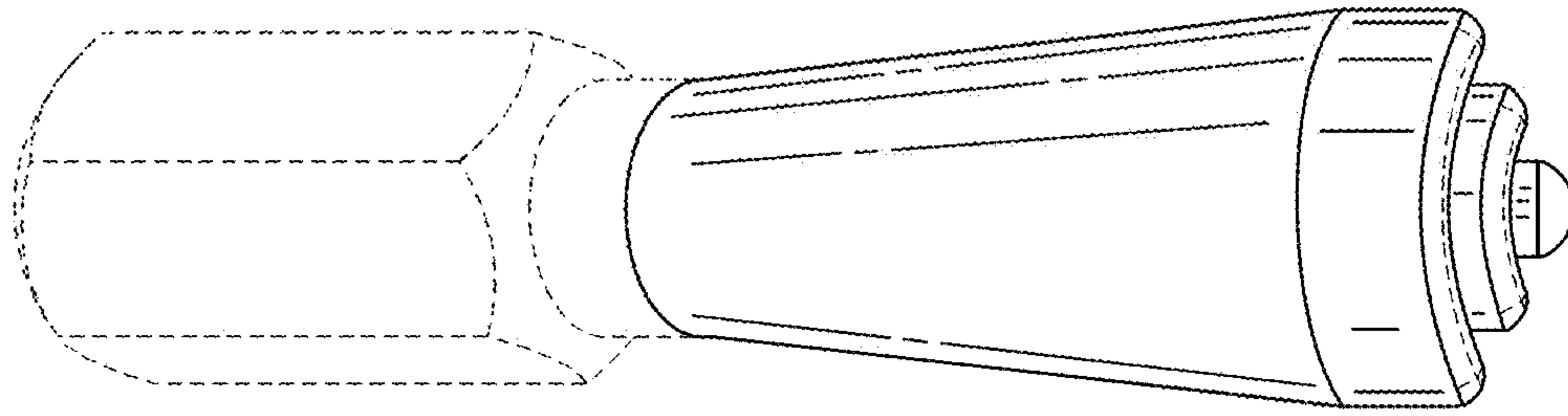


FIG. 3

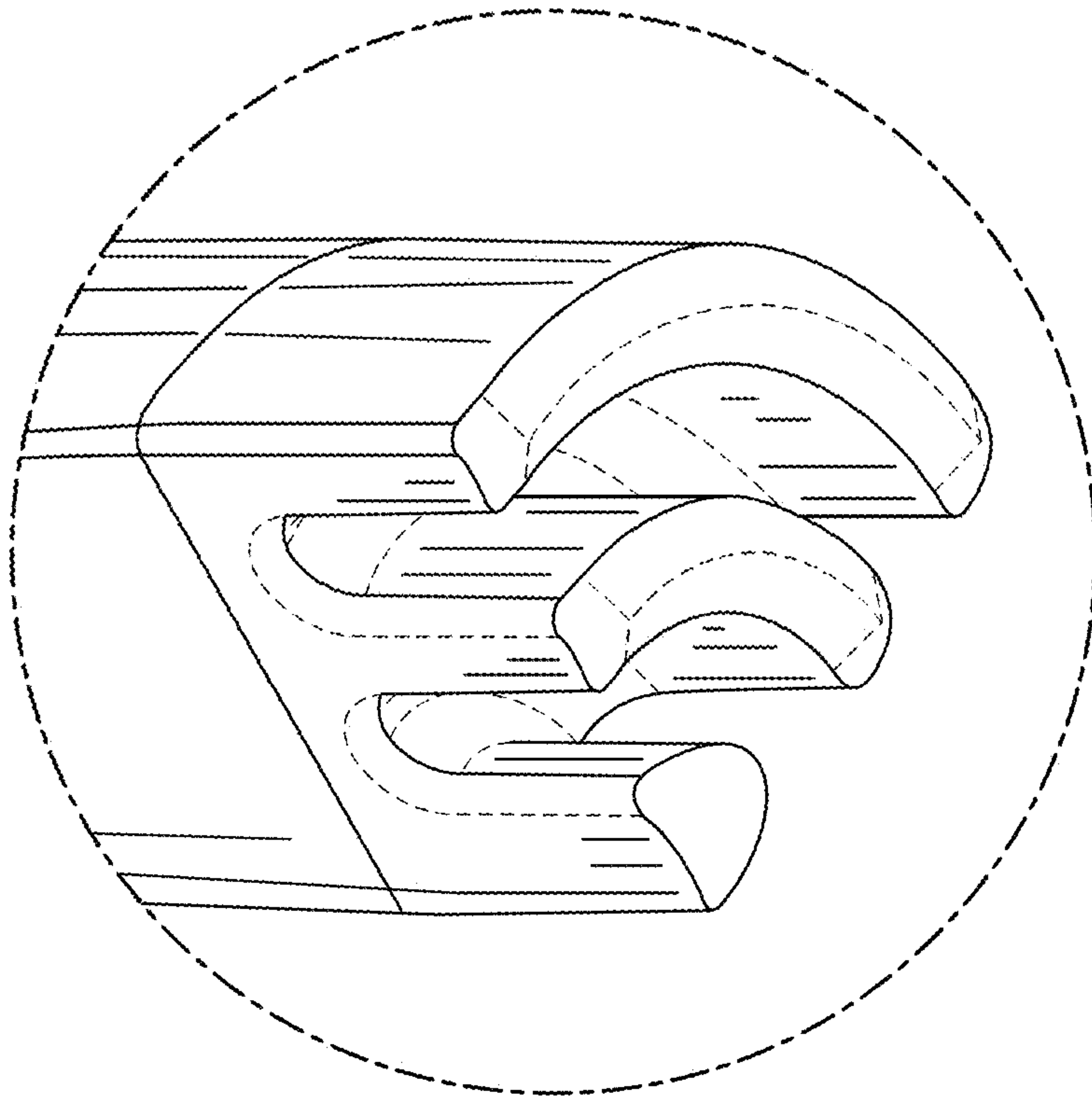


FIG. 2

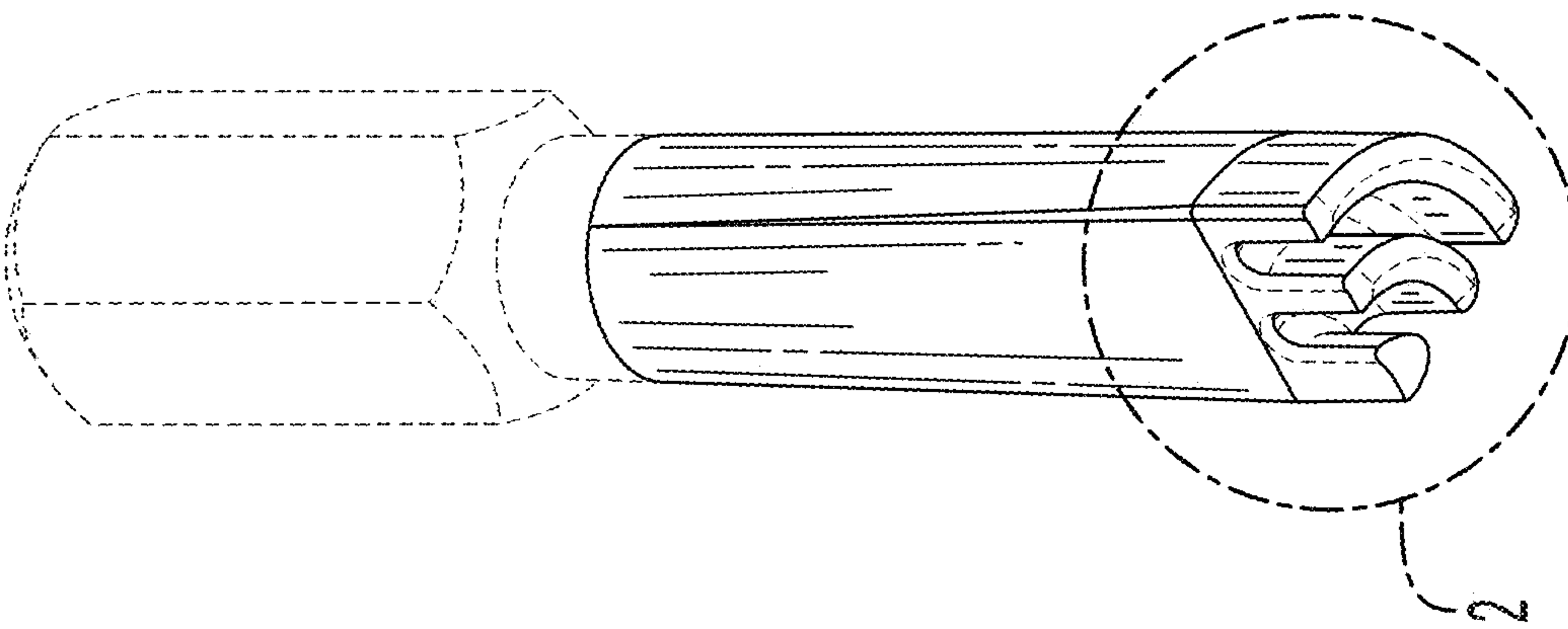


FIG. 1

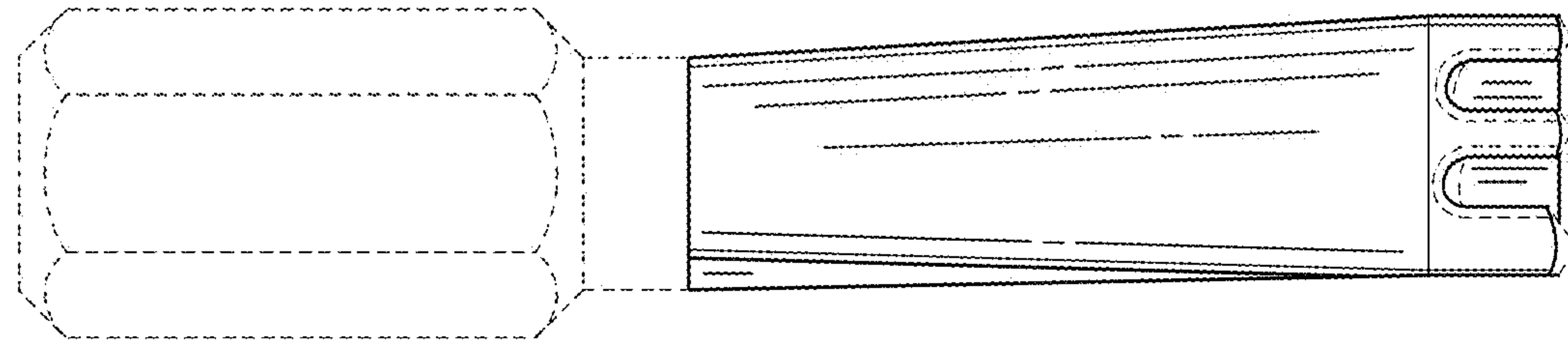


FIG. 4

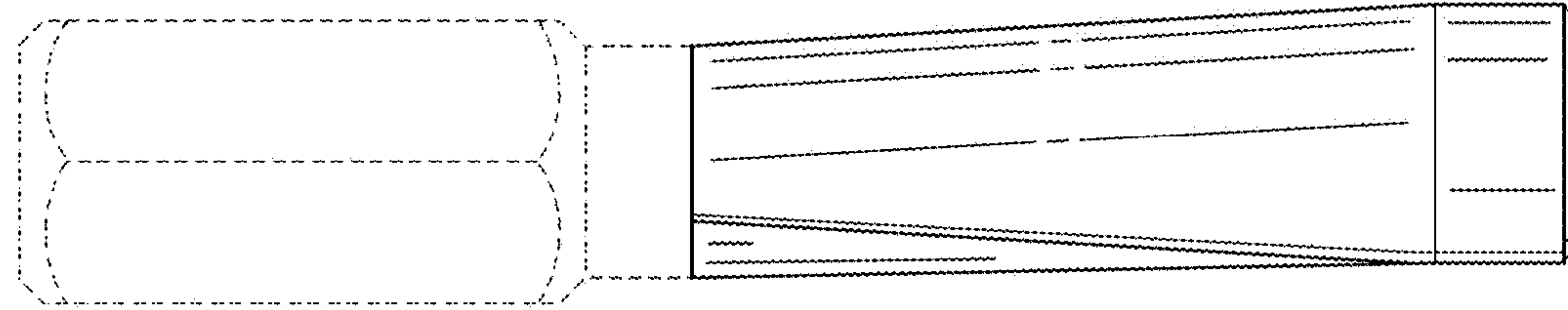


FIG. 5

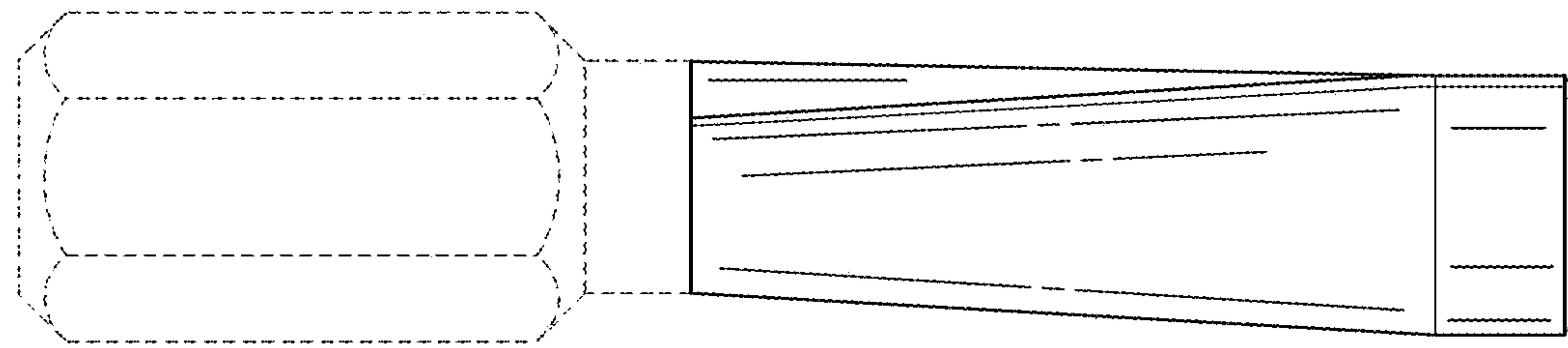


FIG. 6

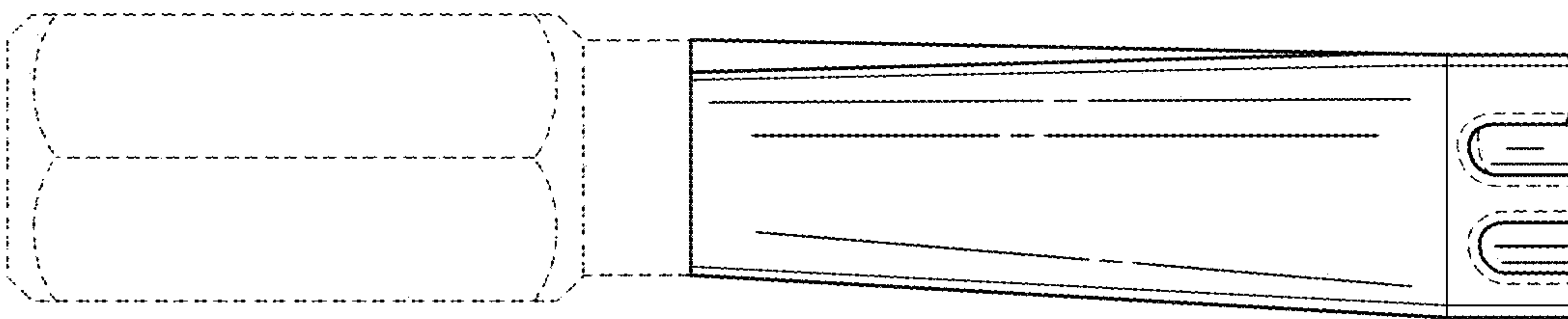


FIG. 7



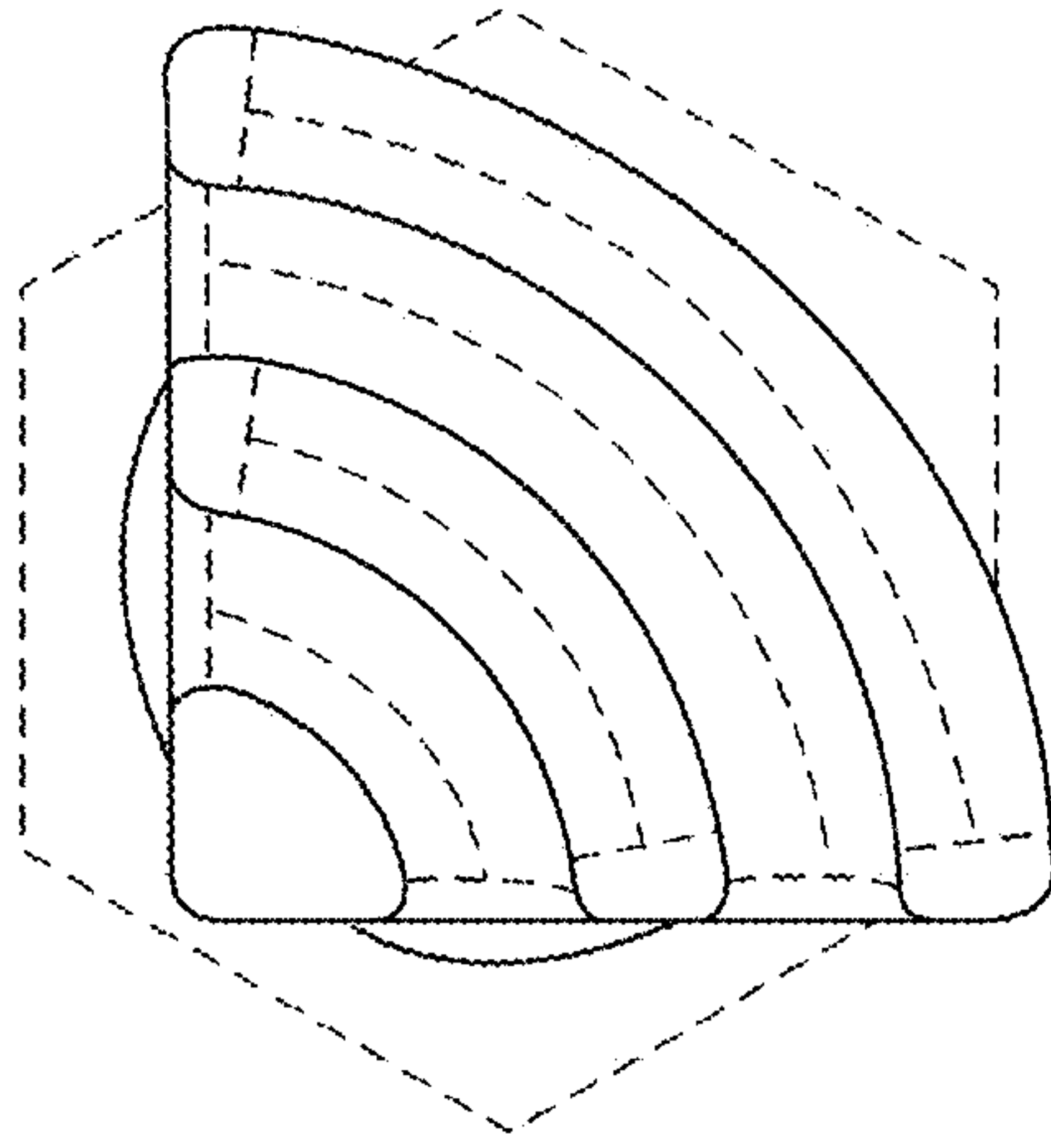


FIG. 8

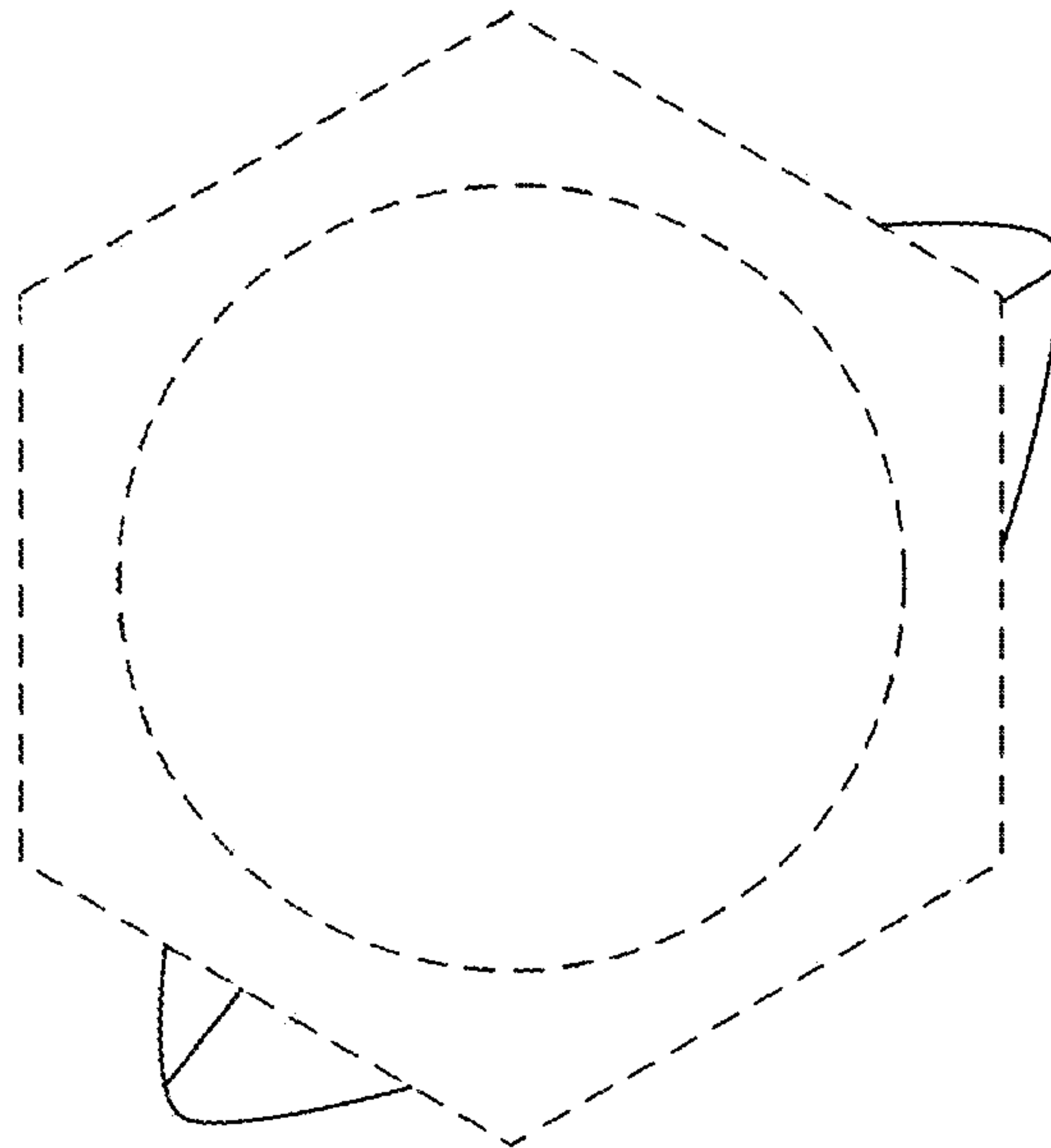


FIG. 9

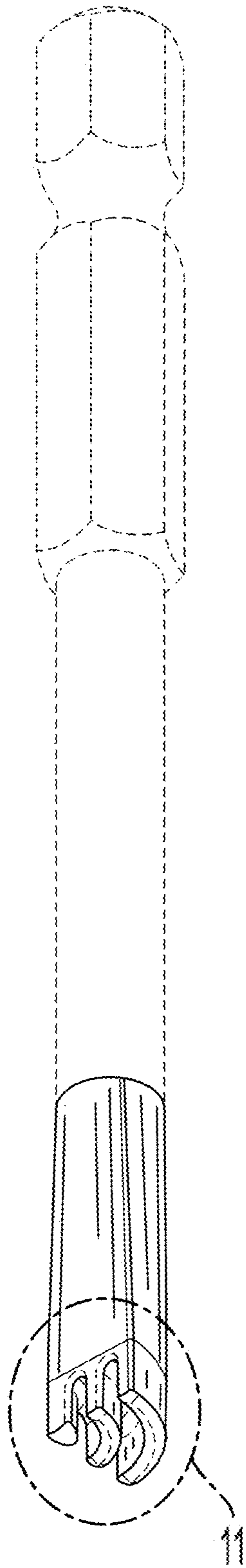


FIG. 10

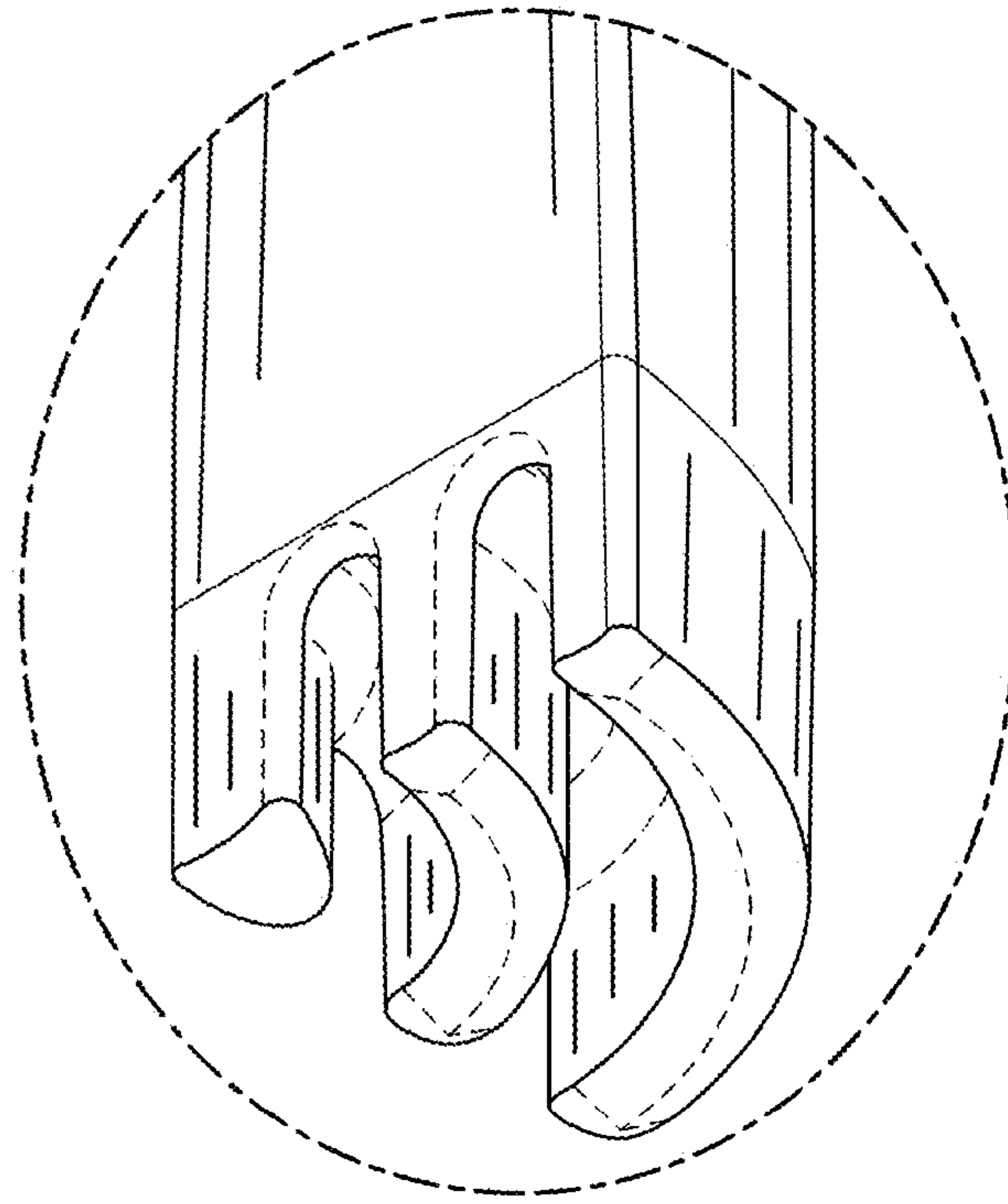


FIG. 11

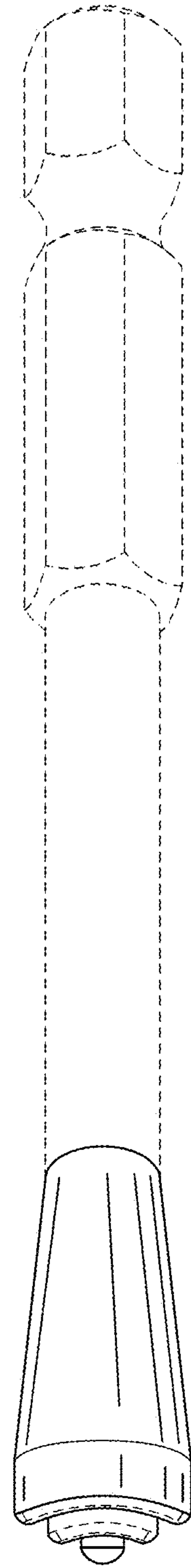


FIG. 12

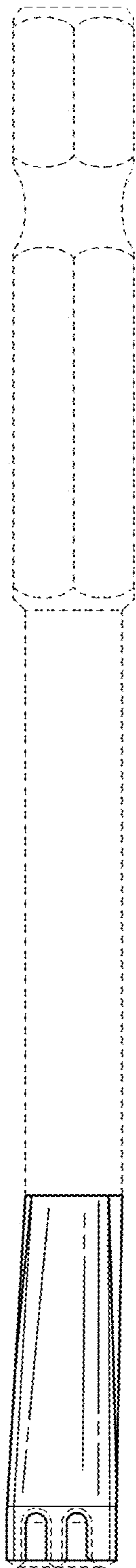


FIG. 13

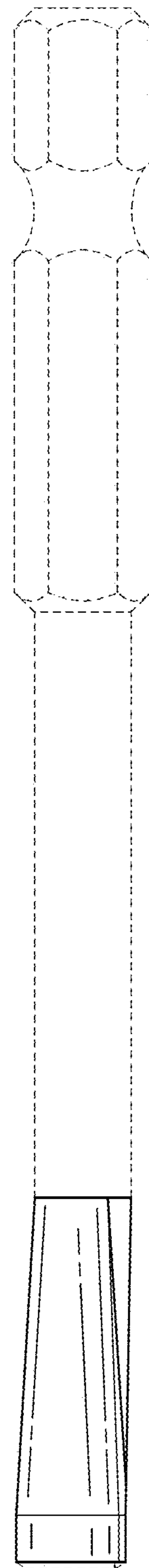


FIG. 14

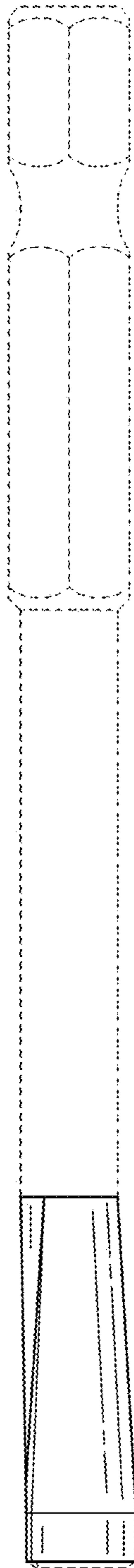


FIG. 15

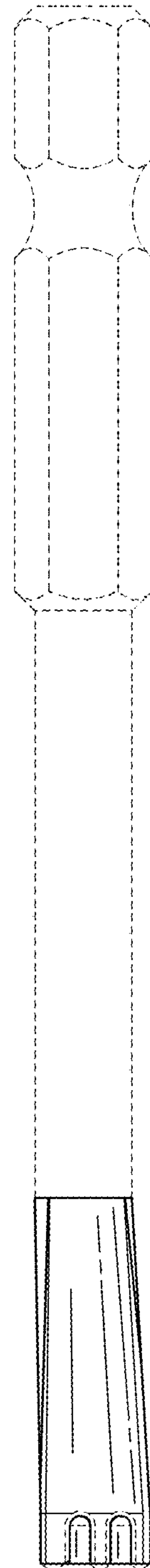


FIG. 16



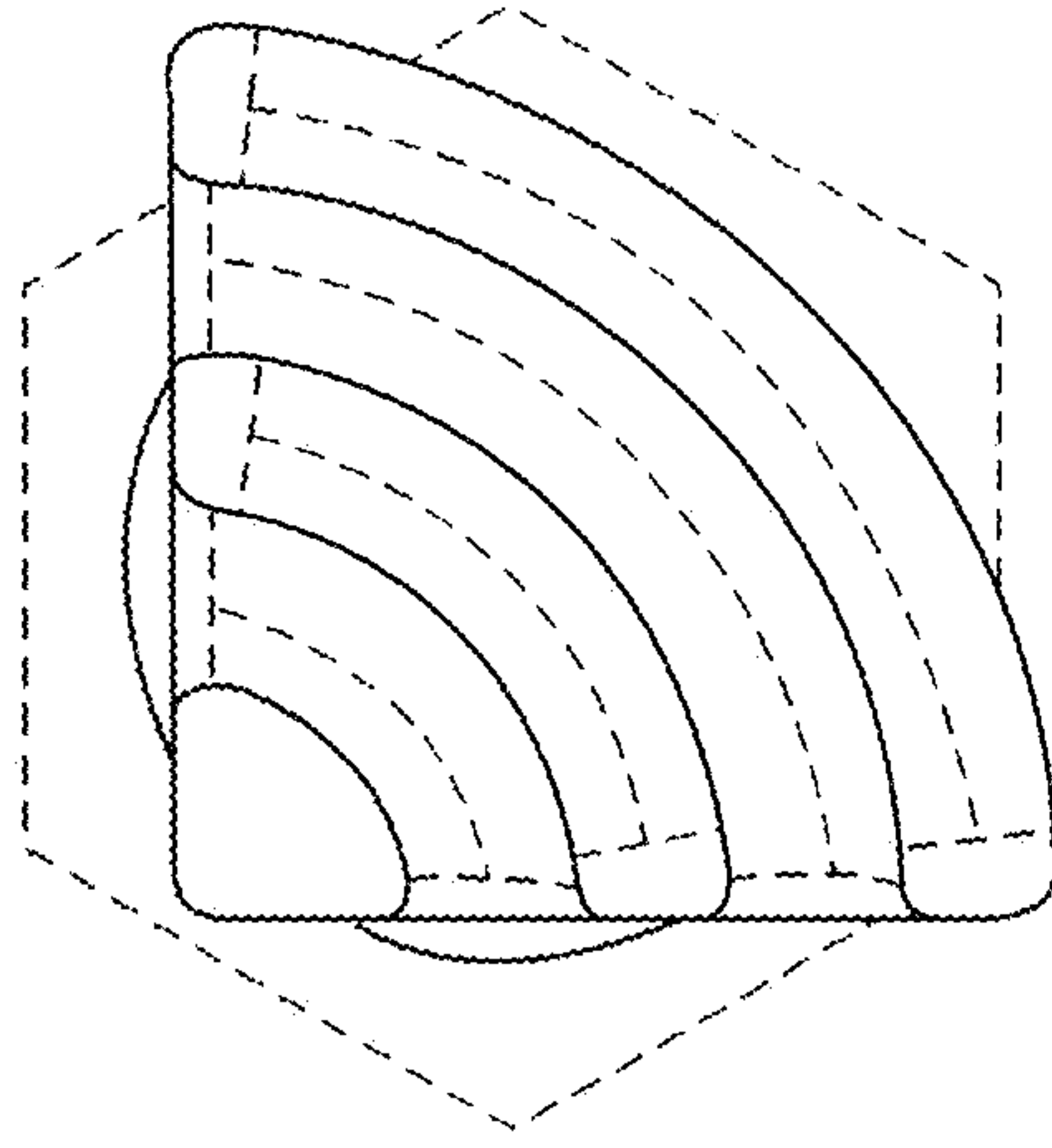


FIG. 17

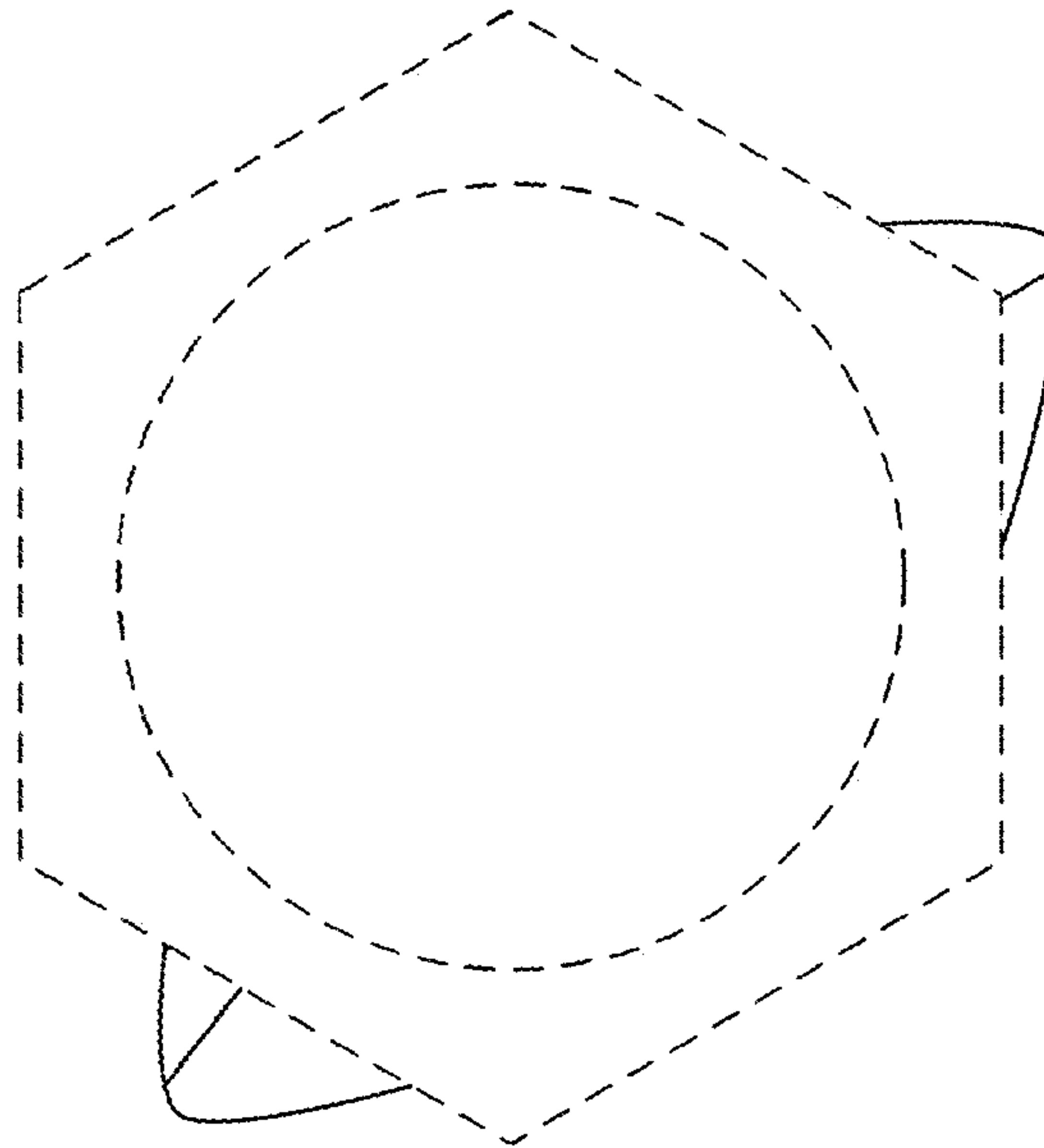


FIG. 18