



US00D914475S

(12) **United States Design Patent** (10) **Patent No.:** **US D914,475 S**  
**Thompson et al.** (45) **Date of Patent:** **\*\* Mar. 30, 2021**

(54) **IMPACT WRENCH**  
(71) Applicant: **BLACK & DECKER INC.**, New Britain, CT (US)  
(72) Inventors: **Samuel P. Thompson**, Newcastle Upon Tyne (GB); **Chao Lien Liu**, Taichung (TW)  
(73) Assignee: **BLACK & DECKER INC.**, New Britain, CT (US)  
(\*\*) Term: **15 Years**  
(21) Appl. No.: **29/675,917**  
(22) Filed: **Jan. 7, 2019**  
(51) **LOC (13) Cl.** ..... **08-05**  
(52) **U.S. Cl.**  
USPC ..... **D8/68**  
(58) **Field of Classification Search**  
USPC ..... D8/61, 67, 68  
CPC .... B62D 23/005; B62D 29/00; B62D 29/043;  
B62D 31/00; B62D 33/046; B62D 35/00;  
B62D 35/001; B60Q 1/0005  
See application file for complete search history.

D606,376 S *	12/2009	Okuda	.....	D8/68
D610,421 S *	2/2010	Taniguchi	.....	D8/68
D614,468 S *	4/2010	Aglassinger	.....	D8/68
D617,622 S *	6/2010	Lopano	.....	D8/68
D628,038 S *	11/2010	Aoki	.....	D8/68
D656,804 S *	4/2012	Murray	.....	D8/68
D672,627 S *	12/2012	Kawase	.....	D8/61
D677,137 S *	3/2013	Kawase	.....	D8/68
D678,024 S *	3/2013	Taniguchi	.....	D8/68
D679,160 S *	4/2013	Okuda	.....	D8/68
D679,161 S *	4/2013	Kawase	.....	D8/61
D691,444 S *	10/2013	Tirone	.....	D8/68
D700,822 S *	3/2014	Tschopp	.....	D8/68
D707,522 S *	6/2014	Naksen	.....	D8/68
D721,938 S *	2/2015	Aoki	.....	D8/68
D761,069 S *	7/2016	Aoki	.....	D8/68
D777,545 S *	1/2017	Kosugi	.....	D8/68

\* cited by examiner

*Primary Examiner* — Darlington Ly  
(74) *Attorney, Agent, or Firm* — Adan Ayala

(57) **CLAIM**

The ornamental design for an impact wrench, as shown and described.

**DESCRIPTION**

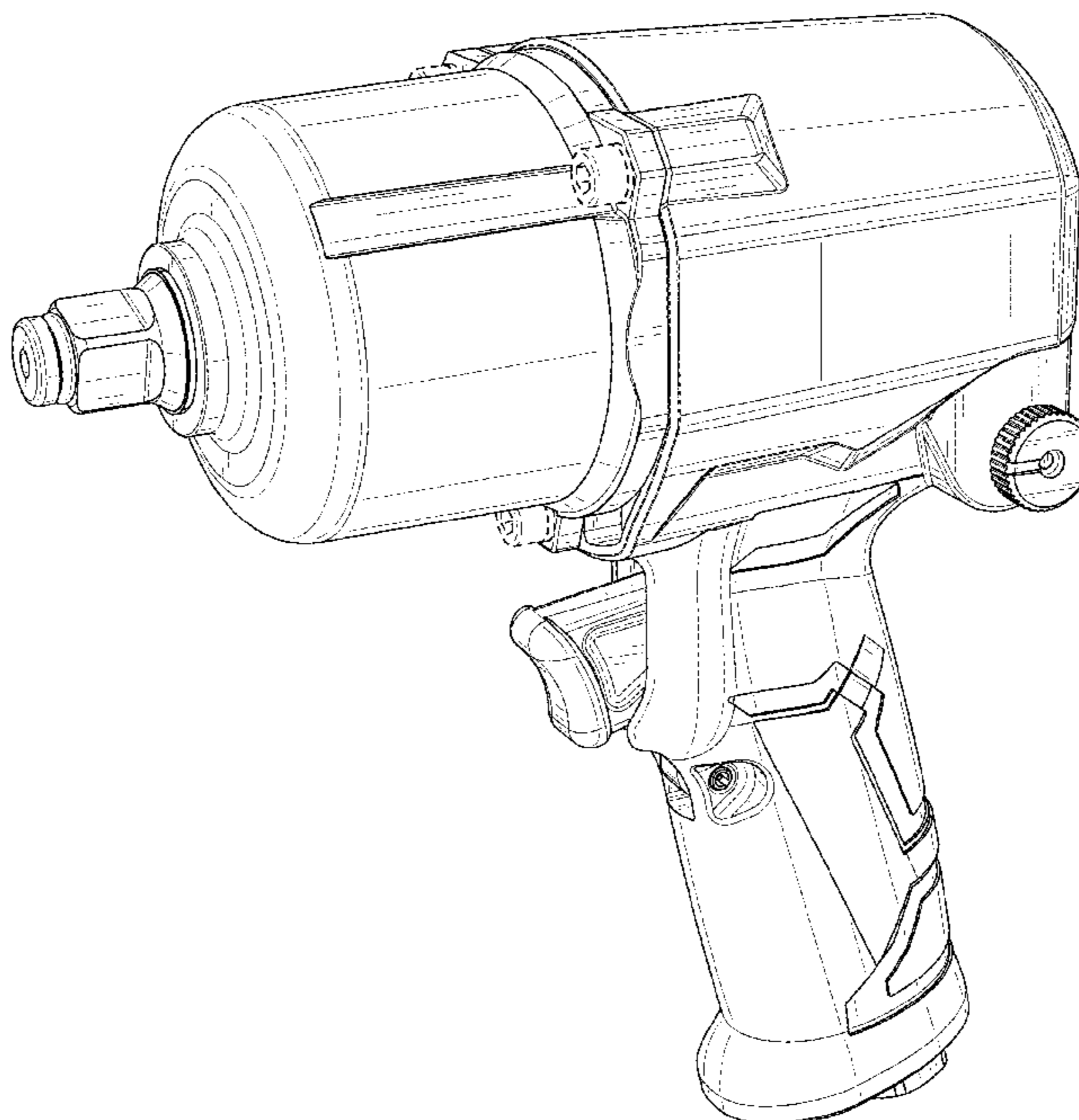
FIG. 1 is a front perspective view of an impact wrench showing our new design;  
FIG. 2 is a front elevation view thereof;  
FIG. 3 is a rear elevation view thereof;  
FIG. 4 is a right side elevation view thereof;  
FIG. 5 is a left side elevation view thereof;  
FIG. 6 is a top plan view thereof;  
FIG. 7 is a bottom plan view thereof; and,  
FIG. 8 is a rear perspective view thereof.  
The broken lines in the drawings illustrate portions of the impact wrench that form no part of the claimed design.

**1 Claim, 8 Drawing Sheets**

(56) **References Cited**

U.S. PATENT DOCUMENTS

D524,136 S *	7/2006	Taniguchi	.....	D8/68
D525,099 S *	7/2006	Nagasaka	.....	D8/68
D556,002 S *	11/2007	Ino	.....	D8/68
D567,615 S *	4/2008	Taniguchi	.....	D8/68
D577,558 S *	9/2008	Taniguchi	.....	D8/68
D579,743 S *	11/2008	Lopano	.....	D8/68
D584,123 S *	1/2009	Lopano	.....	D8/68
D585,715 S *	2/2009	Okuda	.....	D8/68
D585,716 S *	2/2009	Taniguchi	.....	D8/68



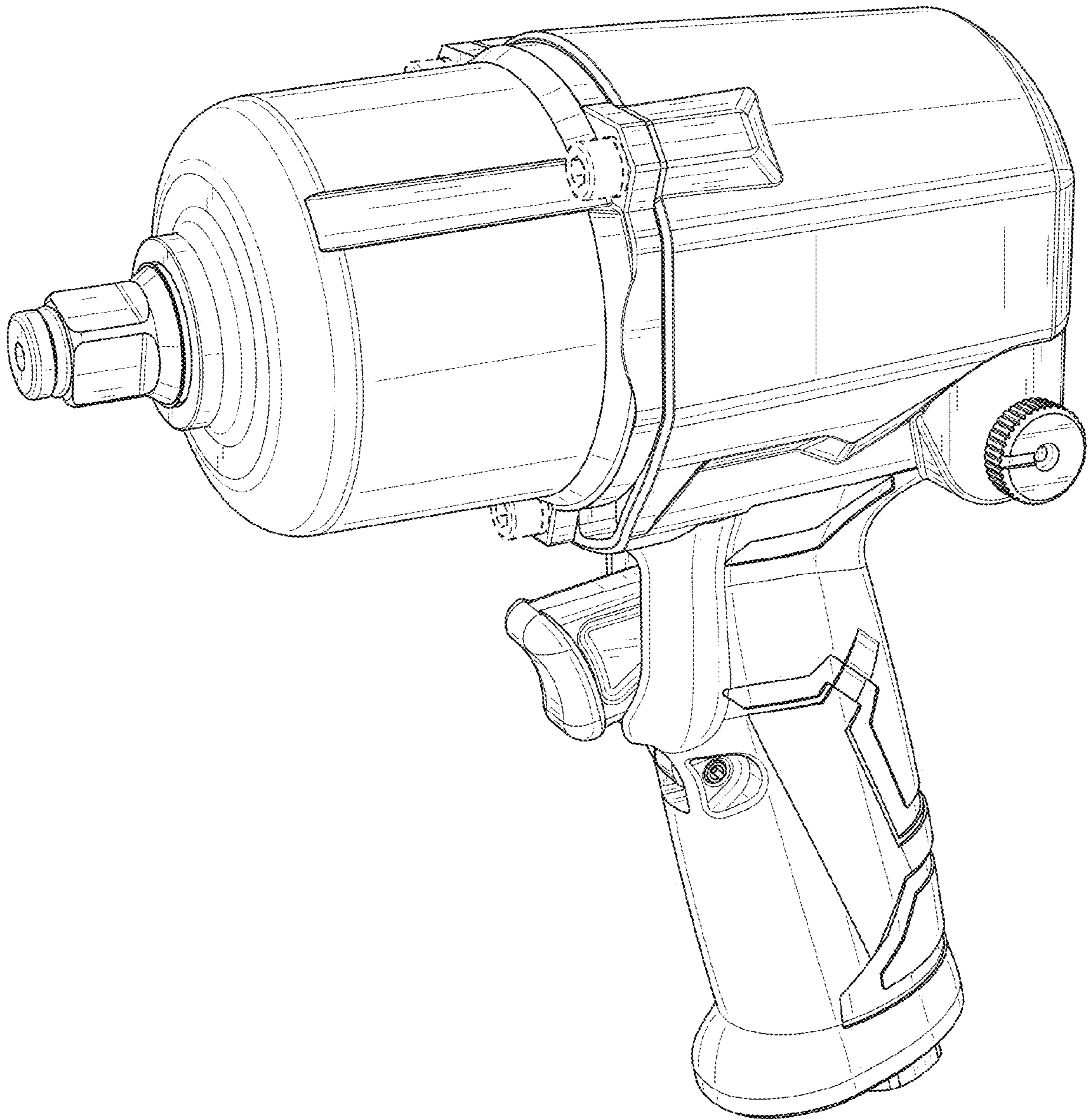


FIG. 1

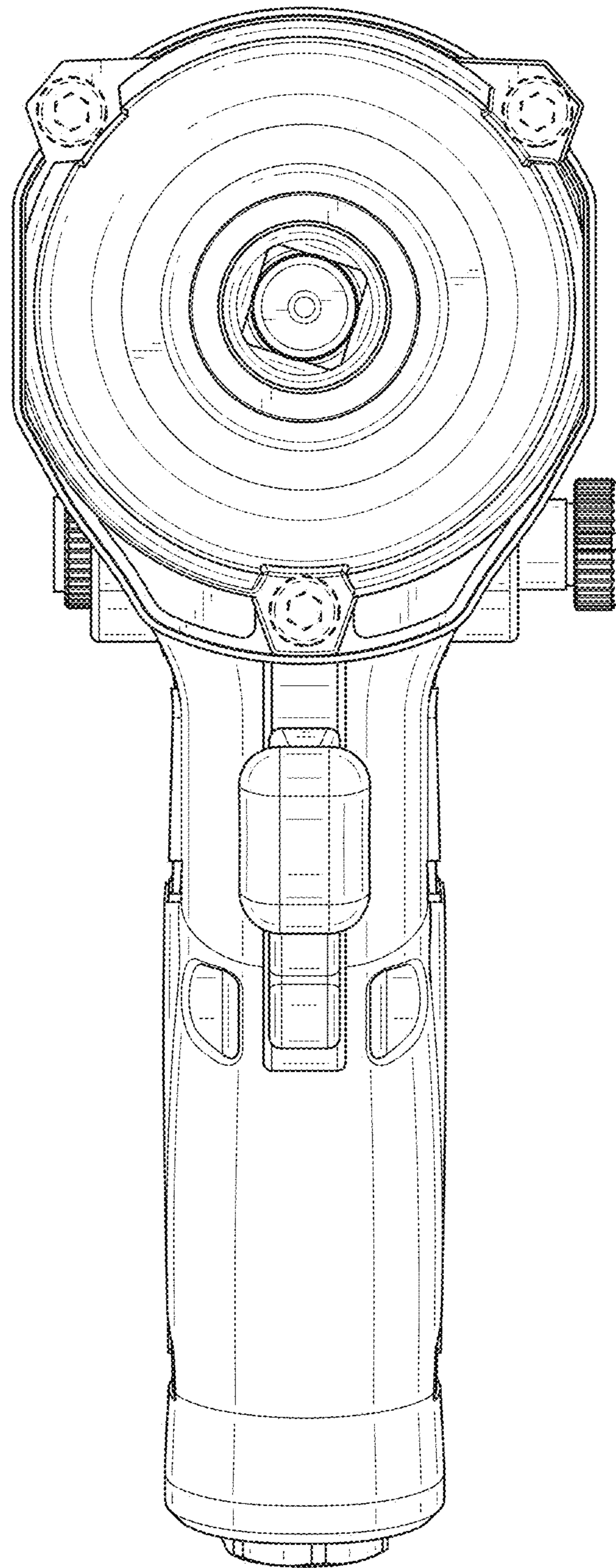


FIG. 2



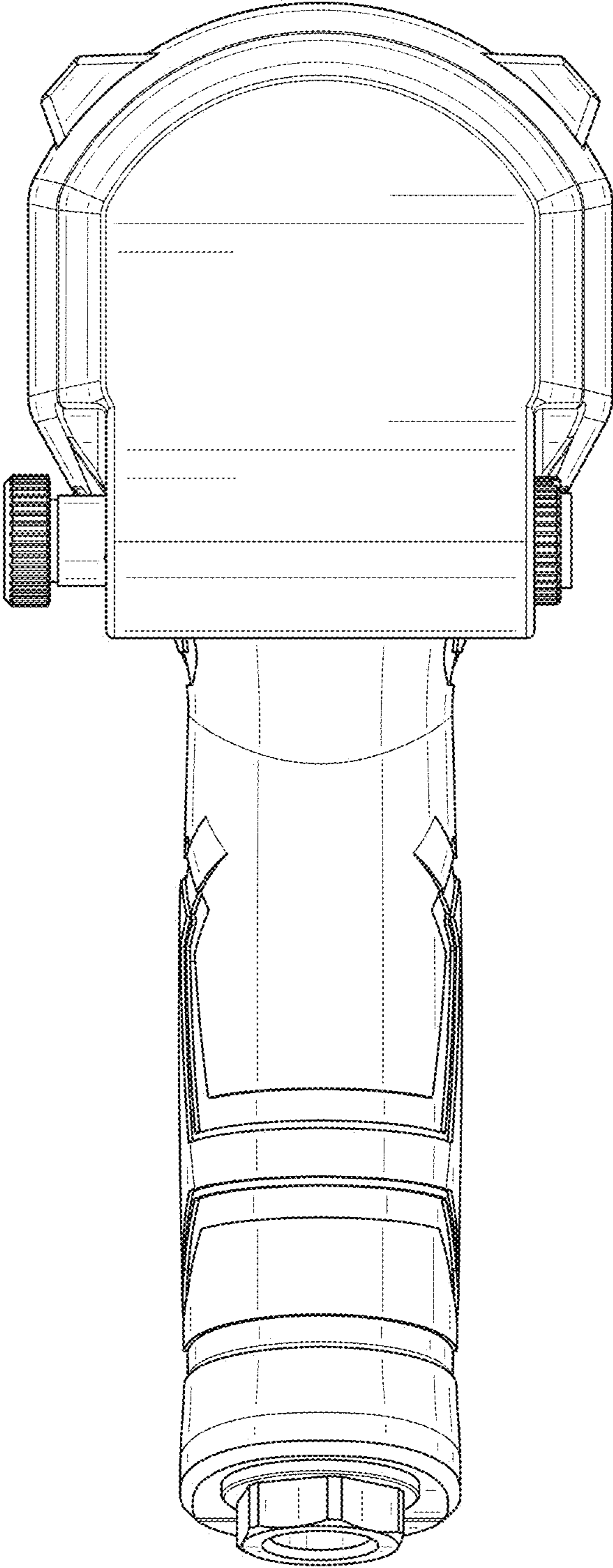


FIG. 3

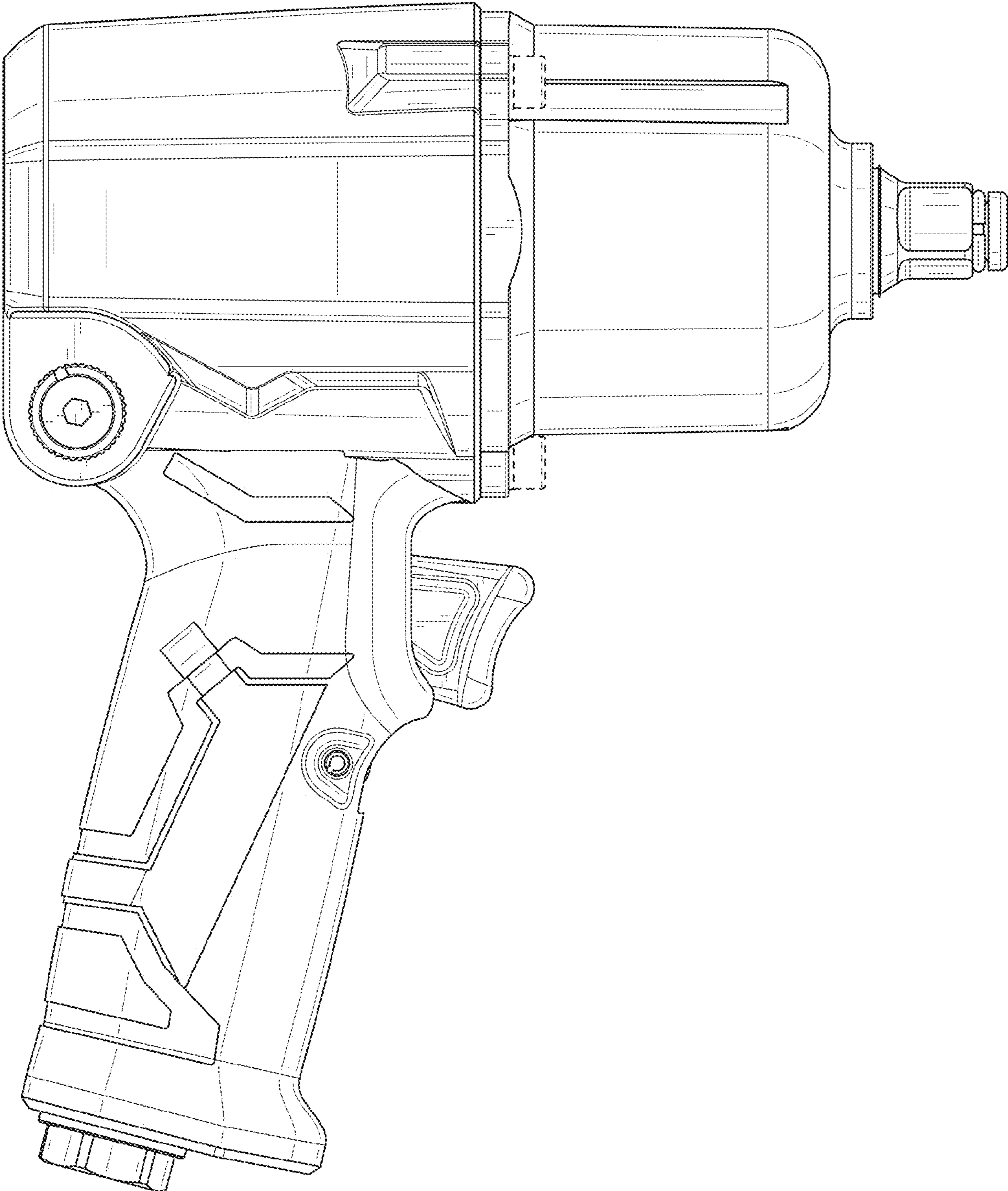


FIG. 4

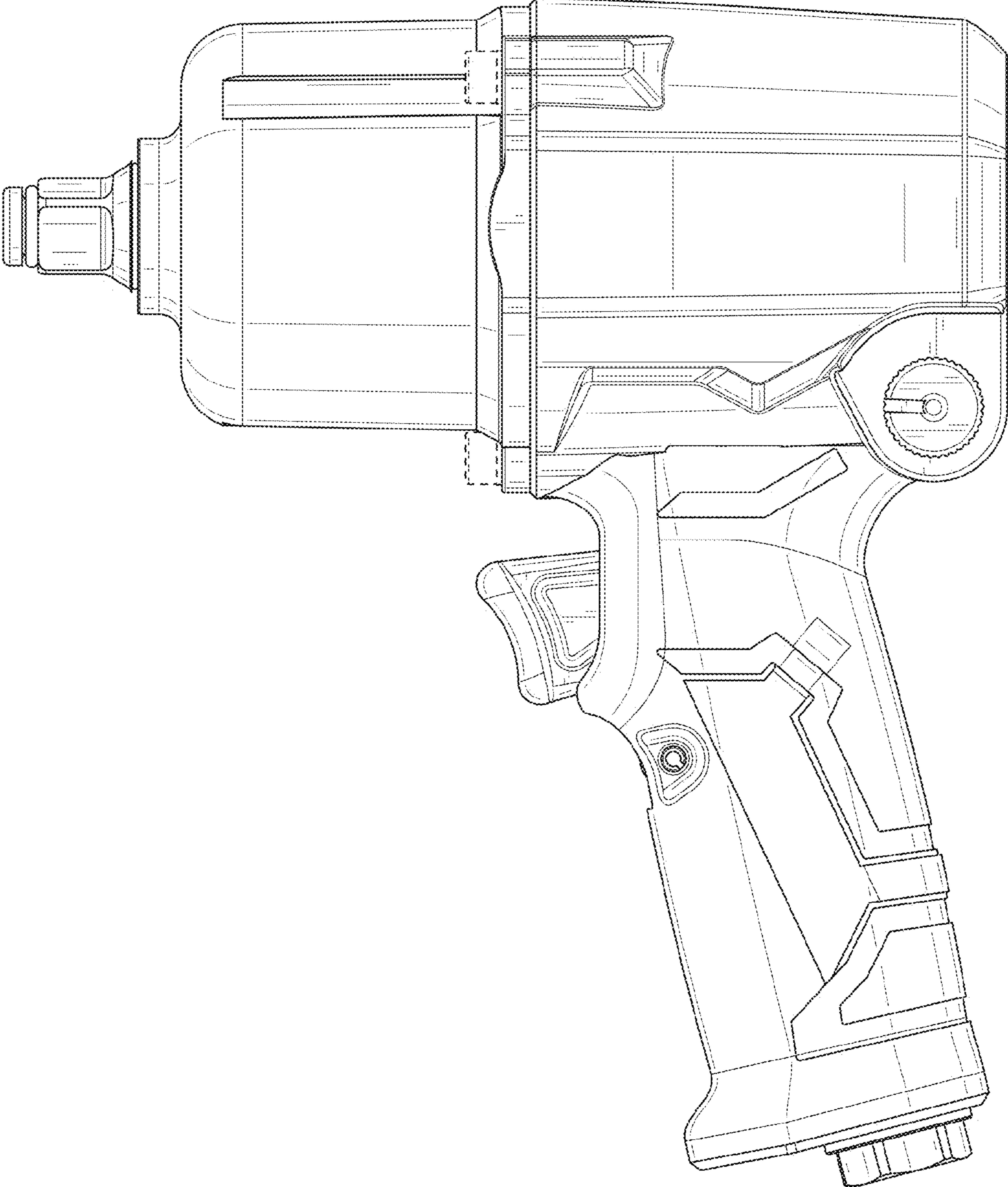


FIG. 5

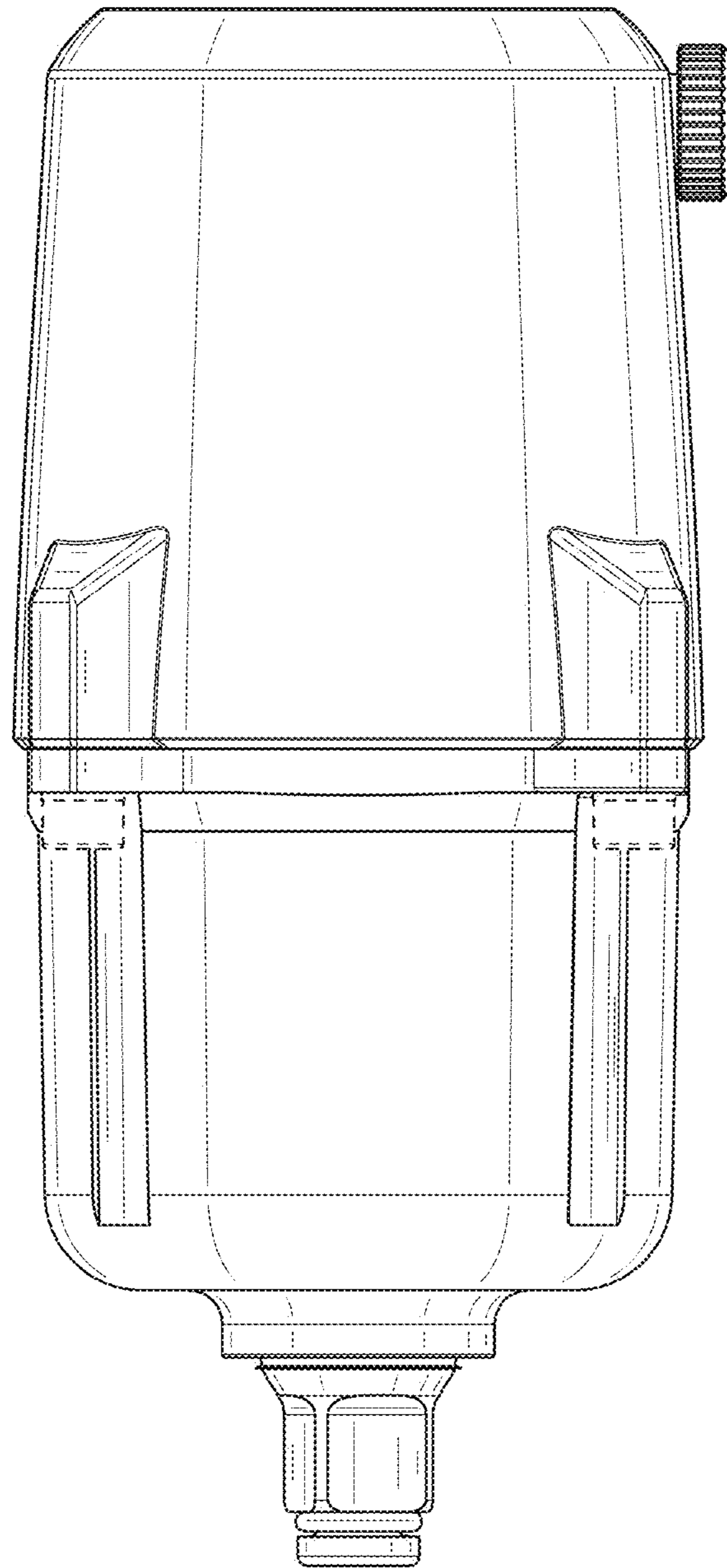


FIG. 6



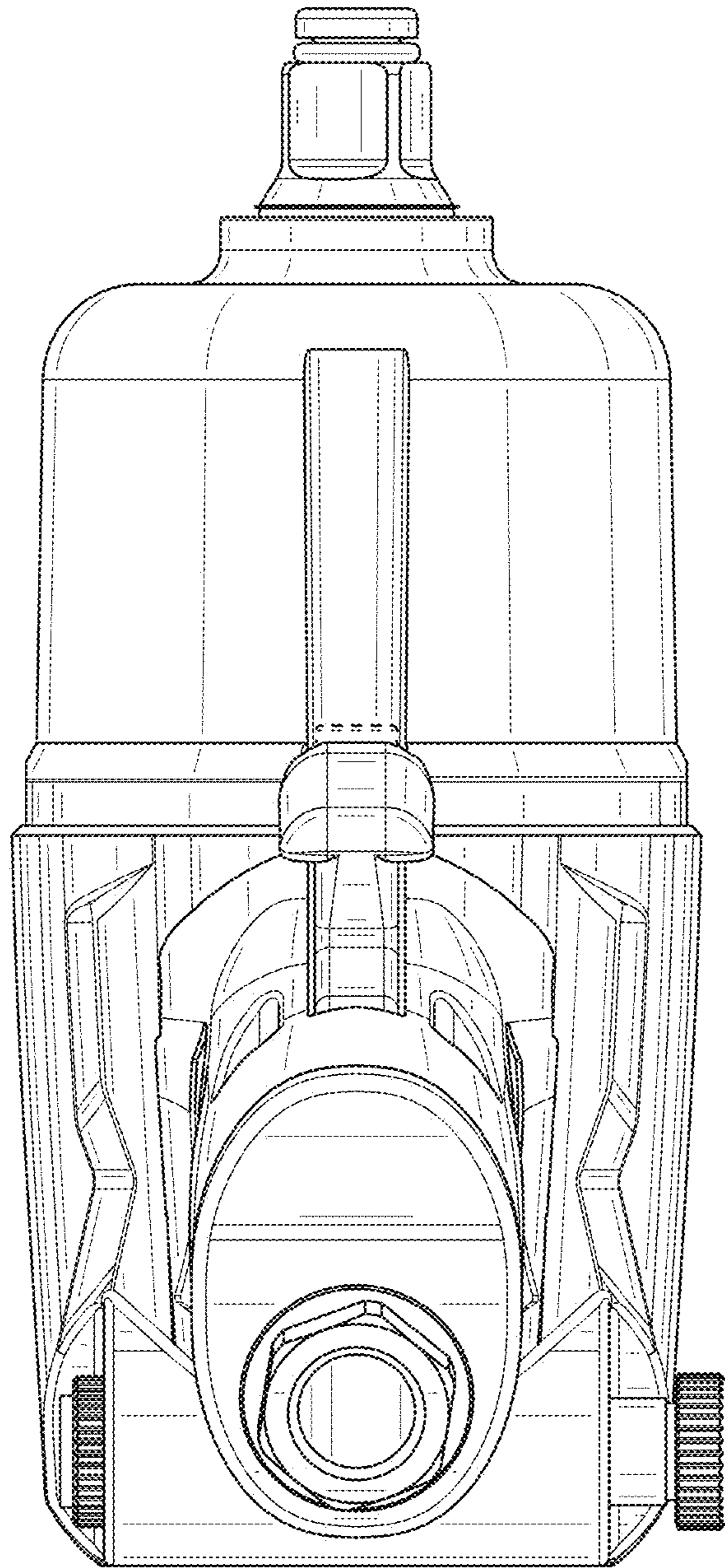


FIG. 7



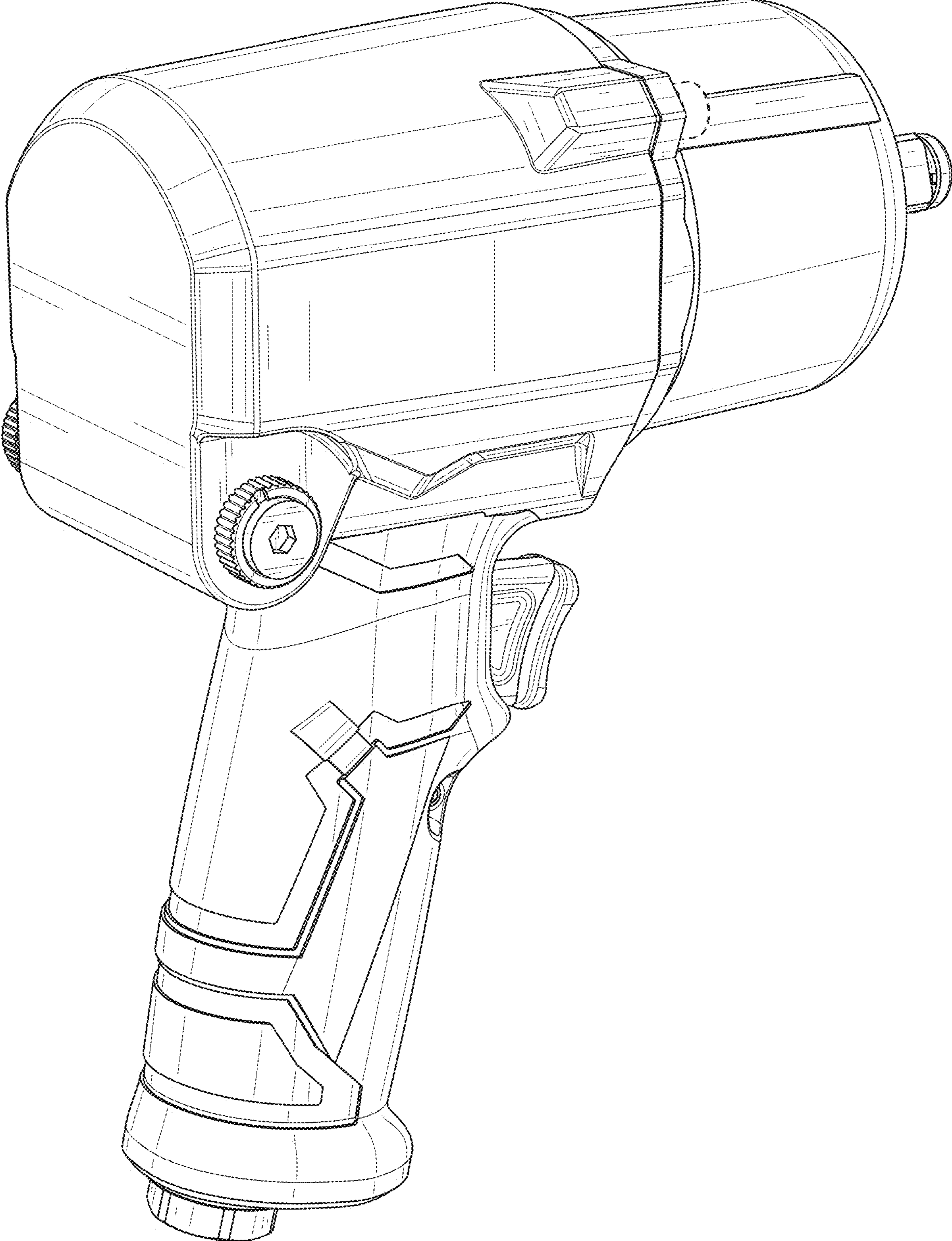


FIG. 8