



US00D914474S

(12) **United States Design Patent** (10) **Patent No.:** **US D914,474 S**
Hall (45) **Date of Patent:** **** Mar. 30, 2021**

(54) **PUSH BLOCK**
(71) Applicant: **Taylor James Hall**, Palatine, IL (US)
(72) Inventor: **Taylor James Hall**, Palatine, IL (US)
(73) Assignee: **Nomis LLC**, Palatine, IL (US)
(**) Term: **15 Years**

5,875,827 A * 3/1999 Brutscher B27B 25/10
144/253.1
5,894,777 A 4/1999 Sterling
6,044,740 A 4/2000 Werkheiser
6,135,521 A 10/2000 Wirth, Jr. et al.
(Continued)

(21) Appl. No.: **29/715,792**
(22) Filed: **Dec. 4, 2019**

FOREIGN PATENT DOCUMENTS

CA 2527755 A1 5/2006

(51) **LOC (13) Cl.** **08-05**
(52) **U.S. Cl.**
USPC **D8/14**
(58) **Field of Classification Search**
USPC D8/14, 45, 90, 107
CPC B27B 25/10; B27B 25/00; B27B 29/00;
B27C 5/06; B27C 5/04; Y10T 83/6638
See application file for complete search history.

OTHER PUBLICATIONS

Using Push Sticks—NewWoodworker.com LLC; Tips & Tricks; website <http://www.newwoodworker.com/pushsticks.html>; date last visited Apr. 26, 2007; 5 pages.

(Continued)

Primary Examiner — Philip S Hyder
(74) *Attorney, Agent, or Firm* — Reinhart Boerner Van Deuren P.C.

(56) **References Cited**

(57) **CLAIM**

I claim the ornamental design for the push block, as shown and described.

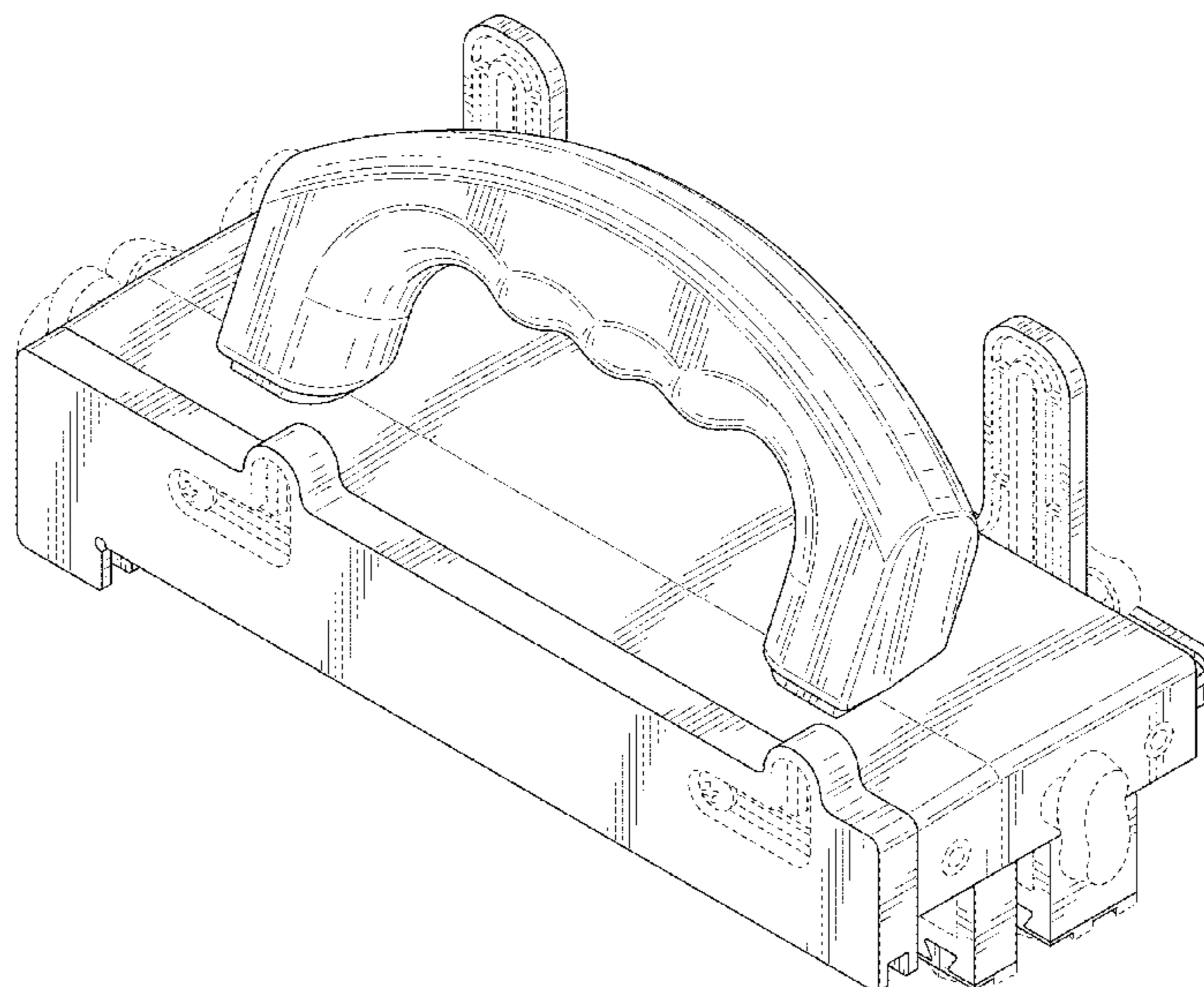
U.S. PATENT DOCUMENTS

DESCRIPTION

- 2,801,656 A 8/1957 Ford
- 3,010,133 A 11/1961 Hurd
- 3,232,326 A 2/1966 Speer et al.
- D216,668 S 3/1970 Tims, Jr.
- 3,686,703 A 8/1972 Ray
- D228,339 S 9/1973 Zemke
- 4,001,903 A 1/1977 Hay
- 4,114,665 A 9/1978 Decker
- 4,294,151 A 10/1981 Lemus
- 4,348,925 A 9/1982 Manweiler
- 4,351,525 A 9/1982 Rozenblad
- 4,432,263 A 2/1984 Kowalchuk
- 4,485,711 A 12/1984 Schnell
- D278,022 S 3/1985 Ash
- D278,790 S 5/1985 Chaney et al.
- 4,962,685 A 10/1990 Hagstrom
- 5,016,509 A 5/1991 Stottman
- 5,678,467 A 10/1997 Aigner
- 5,692,425 A 12/1997 Sterling

FIG. 1 is a top perspective view of the push block;
FIG. 2 is another top perspective view of the push block;
FIG. 3 is a bottom perspective view of the push block;
FIG. 4 is a rear view of the push block;
FIG. 5 is a front view of the push block;
FIG. 6 is a side view of the push block;
FIG. 7 is a side view of the push block showing the side opposite that shown in FIG. 6;
FIG. 8 is a top view of the push block; and,
FIG. 9 is a bottom view of the push block.
The broken lines depict portions of the push block in which the design is embodied that are not considered part of the claimed design.

1 Claim, 8 Drawing Sheets



(56)

References Cited

U.S. PATENT DOCUMENTS

D447,389 S 9/2001 Riemer
 6,554,335 B1 4/2003 Kelly et al.
 6,578,461 B1 6/2003 Loo
 6,732,623 B1 5/2004 Jennings
 6,854,730 B2 2/2005 Braun
 D505,268 S 5/2005 Potempa
 7,040,206 B2 5/2006 Wang
 D525,508 S 7/2006 Leonard, II
 D561,791 S 2/2008 Kozina et al.
 7,540,224 B2 6/2009 Wang
 D602,753 S 10/2009 McLaughlin
 D620,215 S 7/2010 Peng et al.
 7,886,641 B2 2/2011 Wirth, Jr. et al.
 7,997,313 B2 8/2011 Wang
 D665,638 S 8/2012 Krohner et al.
 D666,684 S 9/2012 Meininger et al.
 9,003,671 B2 4/2015 Wang
 9,199,390 B2 12/2015 Wang
 D746,596 S 1/2016 Zemel et al.

9,227,337 B2 1/2016 Wang
 9,707,694 B2 7/2017 Wang
 D804,921 S 12/2017 Neubauer
 10,011,037 B2 7/2018 Wang
 2002/0178888 A1 12/2002 Wang
 2005/0059328 A1 3/2005 Madsen
 2005/0092152 A1 5/2005 Wirth, Jr. et al.
 2006/0123961 A1 6/2006 Fontaine
 2014/0260864 A1 9/2014 Wang

OTHER PUBLICATIONS

Grip 55210 V-Stick Push Stick; website http://www.shop.com/op/~Grip_5521-_V_Stick_Push_Stick-prod-25...; date last visited Apr. 26, 2007; 1 page.
 Deluxe Jig Handle—Rockier Woodworking Tools; website <http://www.rockler.com/product.cfm?page=16400&cs=1>; date last visited Apr. 26, 2007; 1 page.
 U.S. Appl. No. 29/713,442, filed Nov. 15, 2019, Patel et al.

* cited by examiner

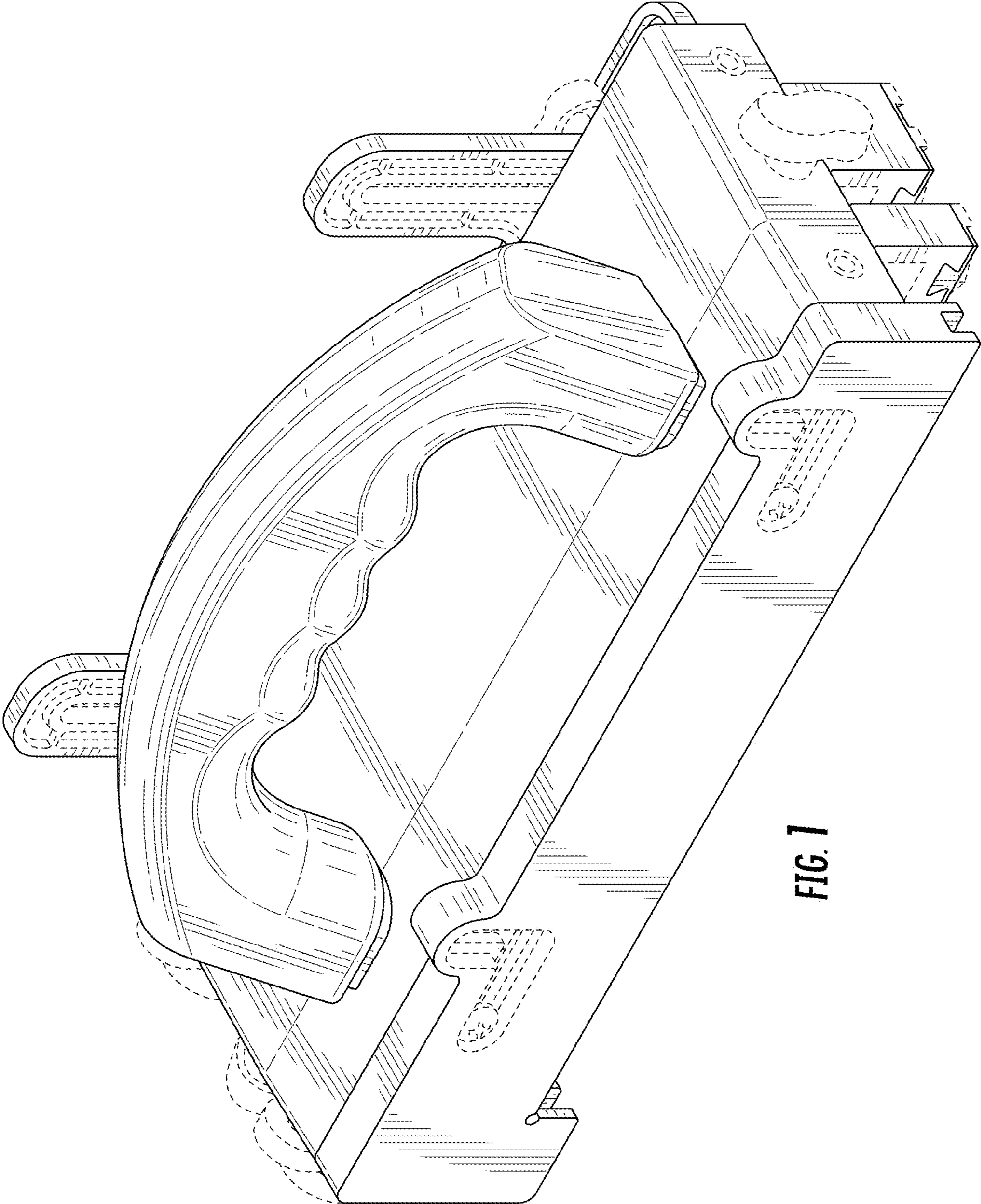


FIG. 1

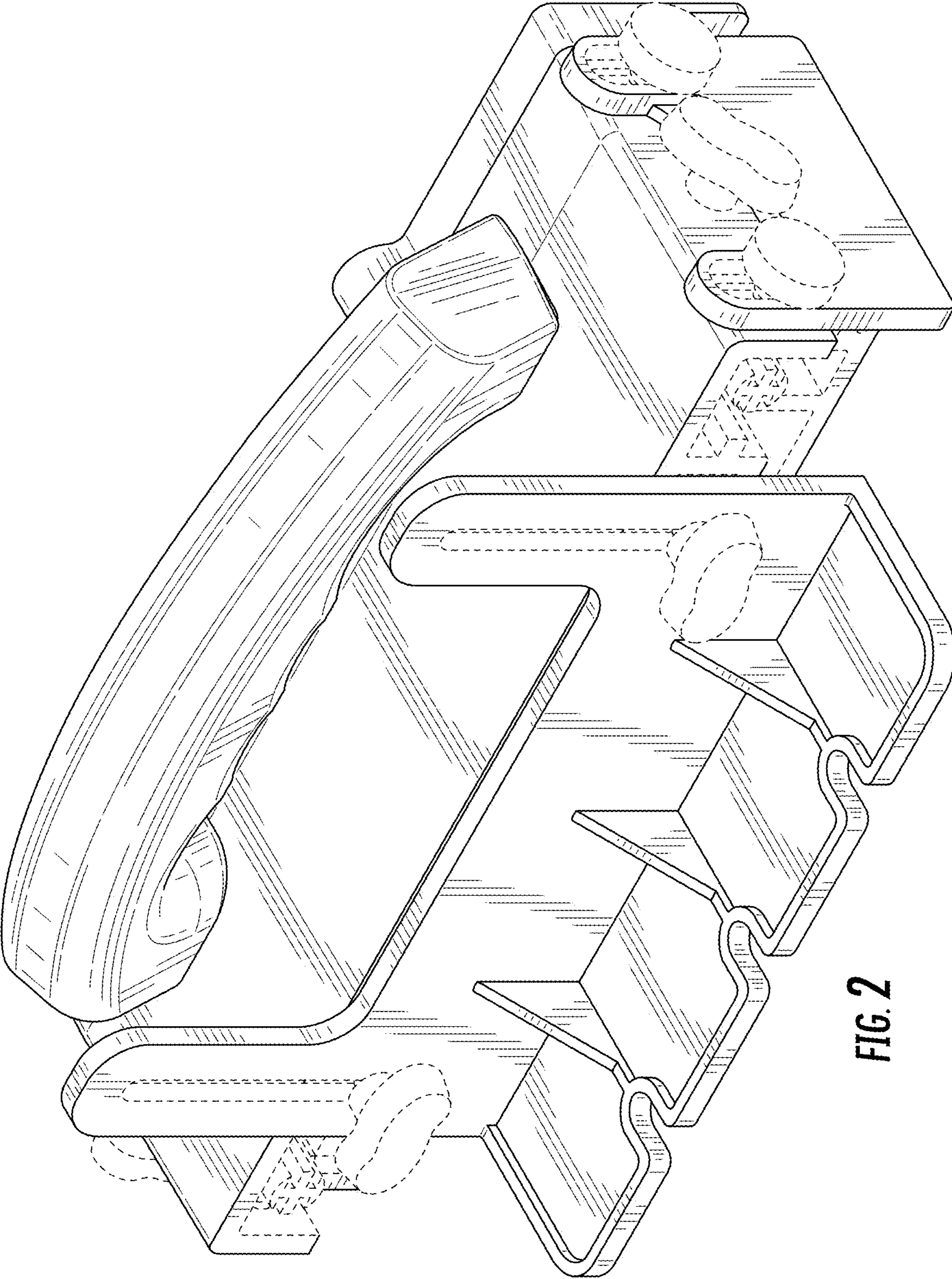


FIG. 2

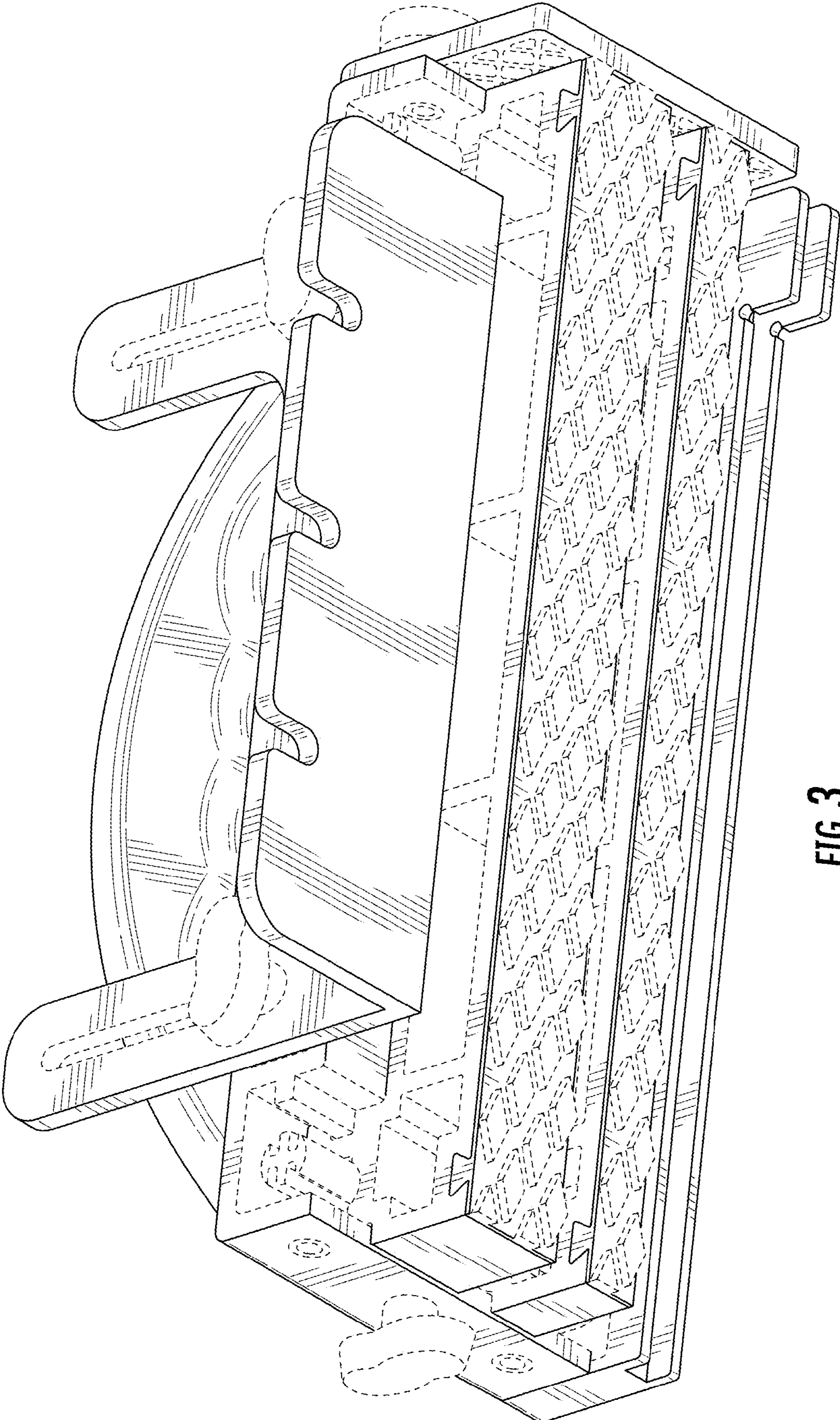


FIG. 3

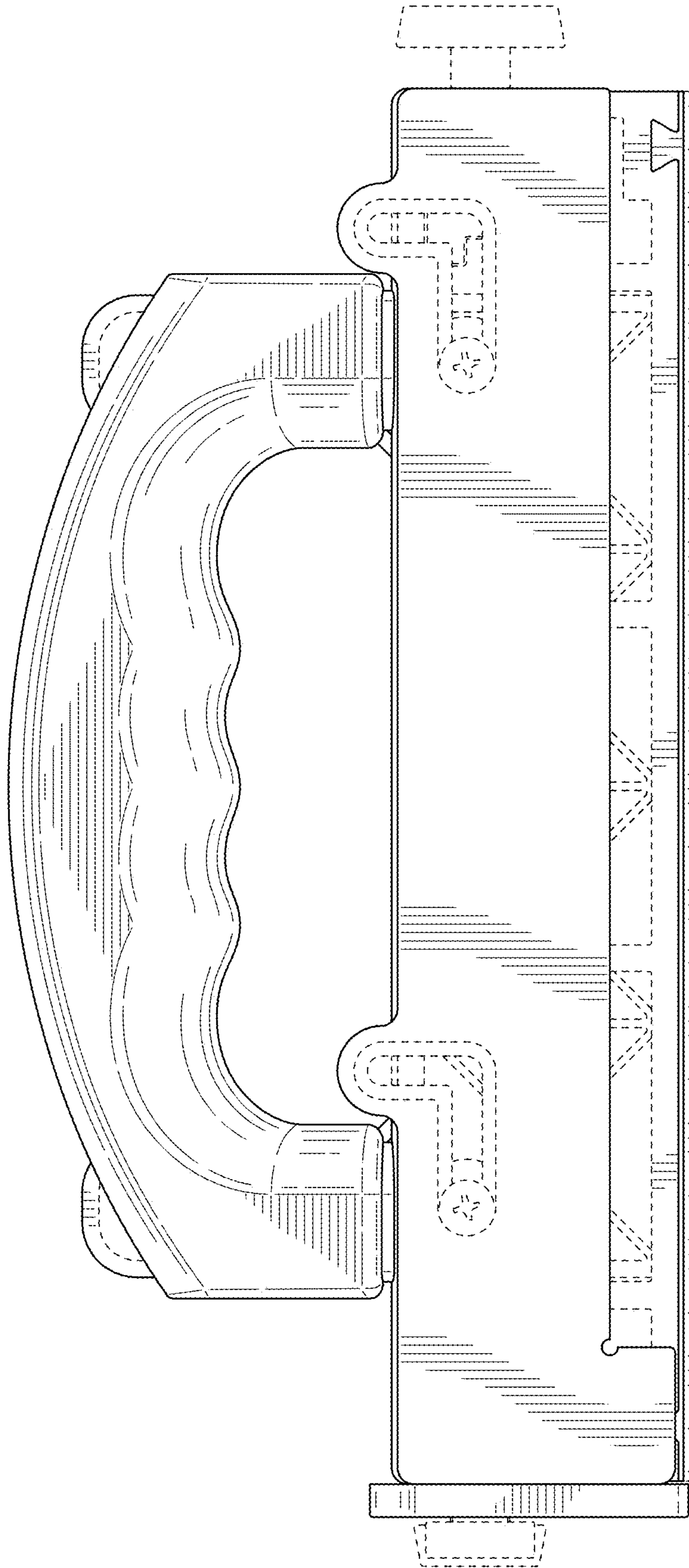


FIG. 4

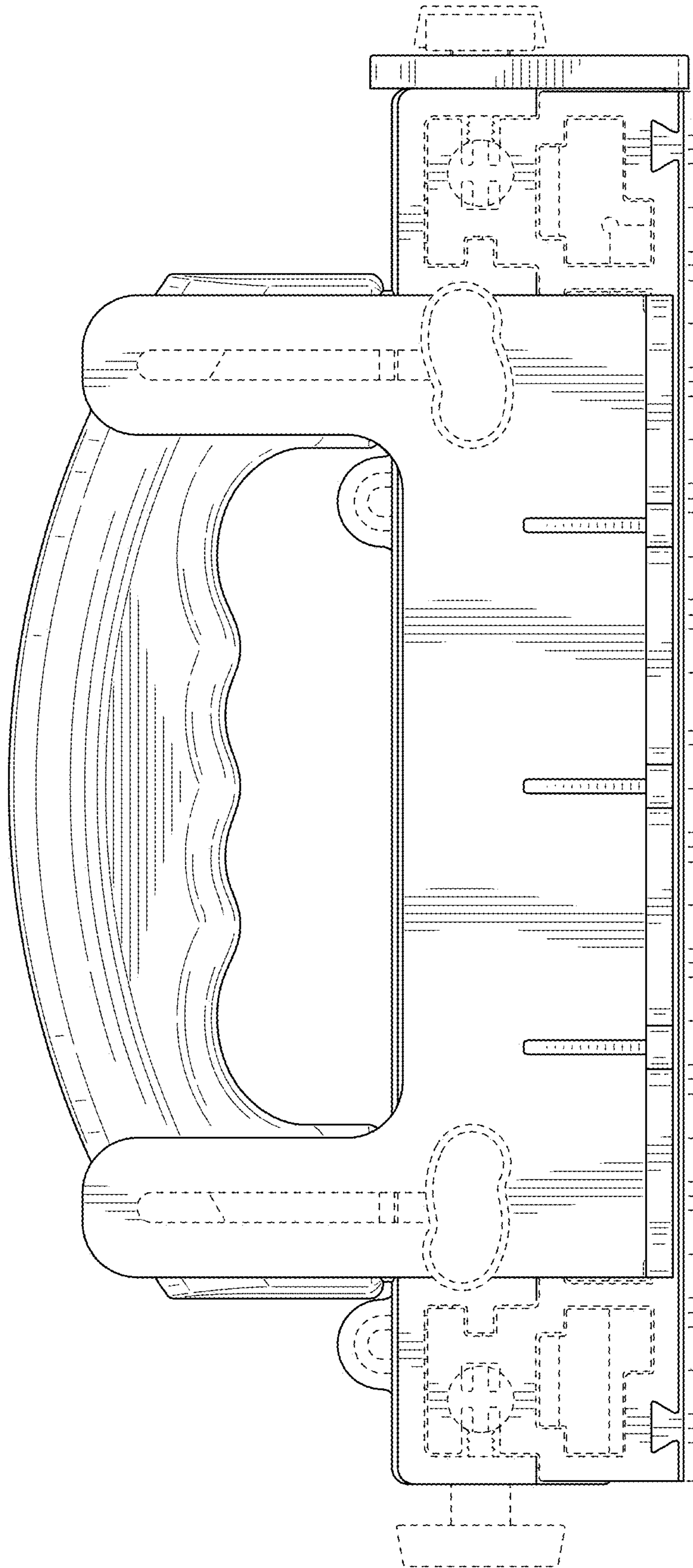


FIG. 5

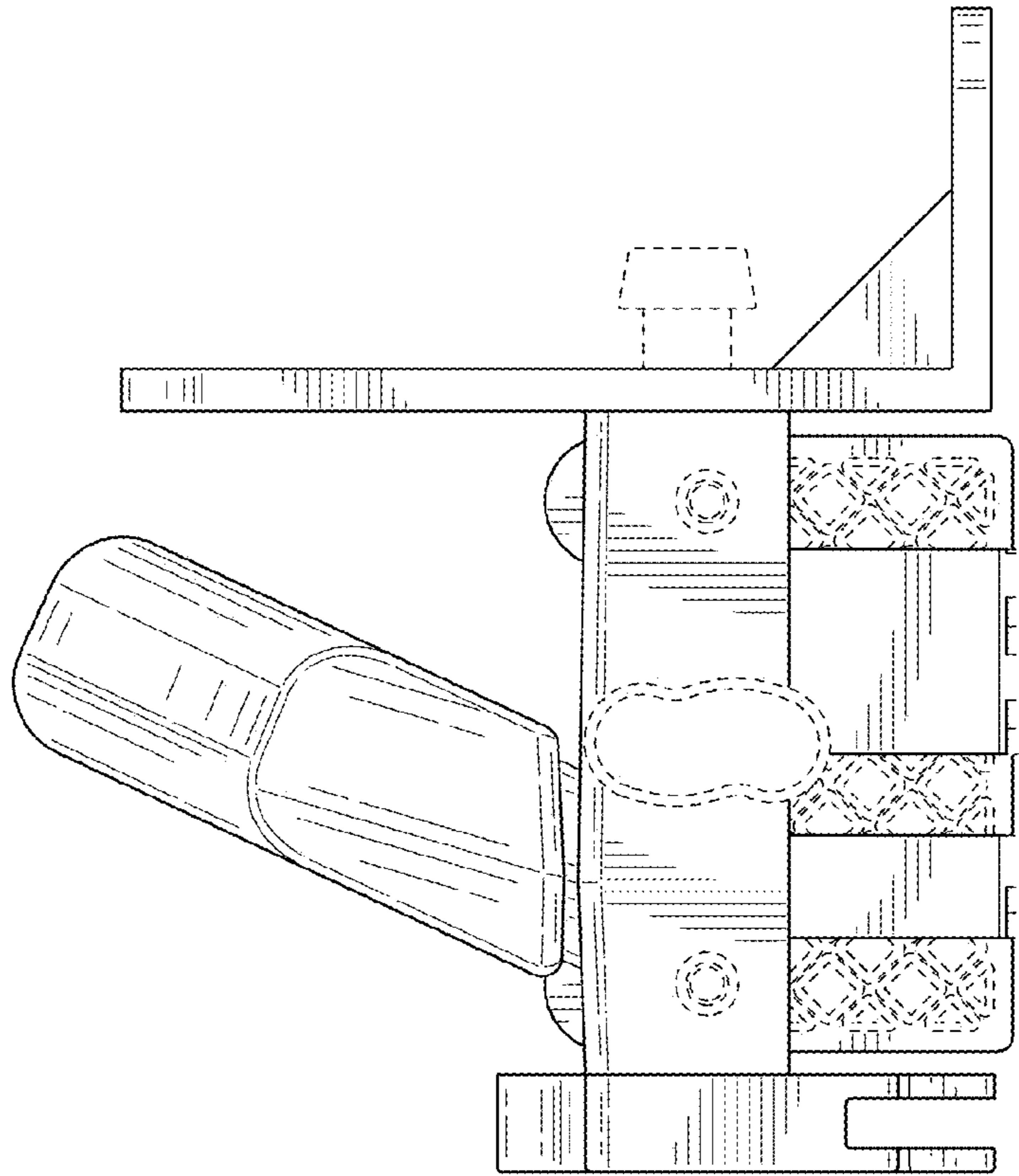


FIG. 6

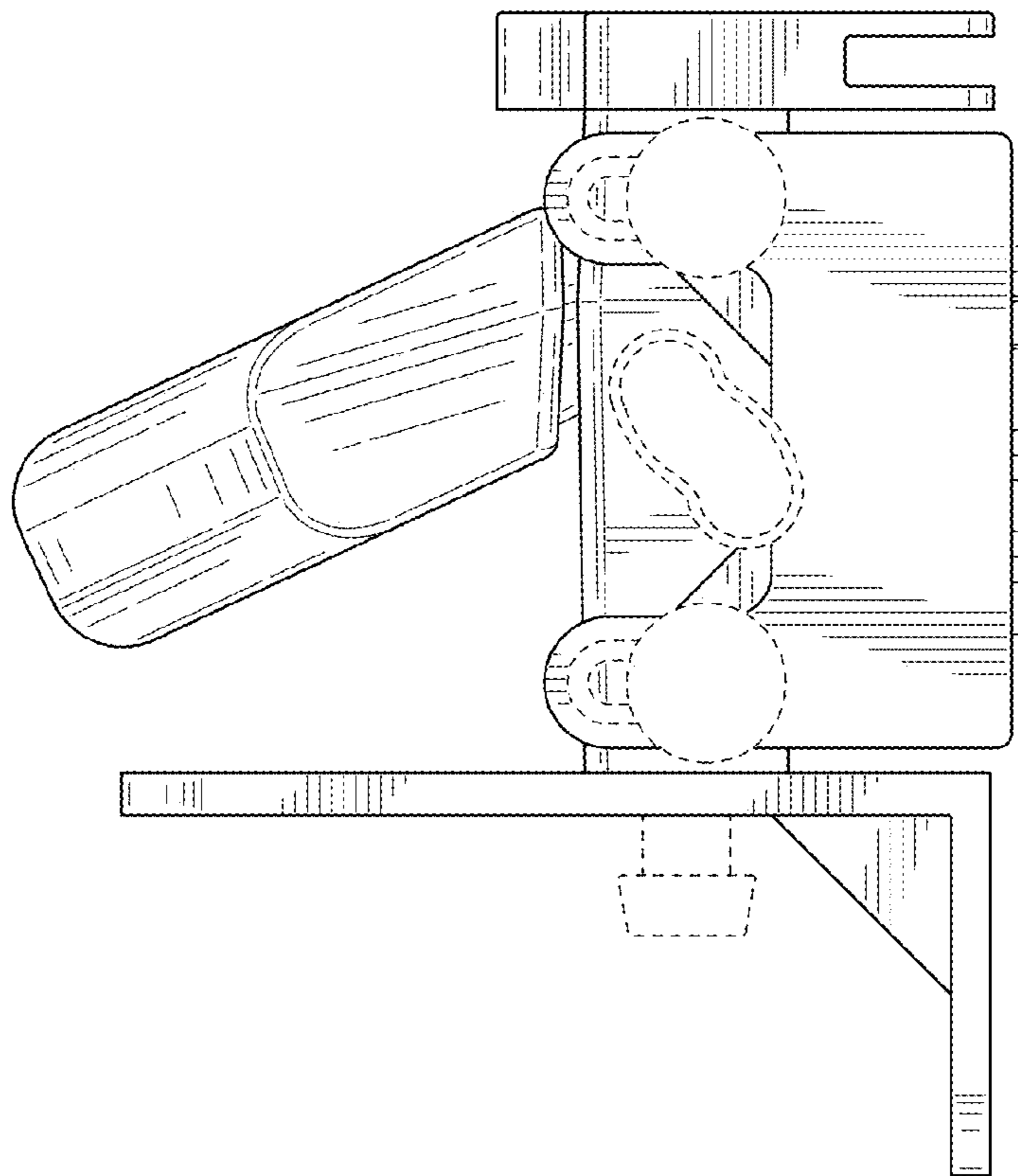


FIG. 7

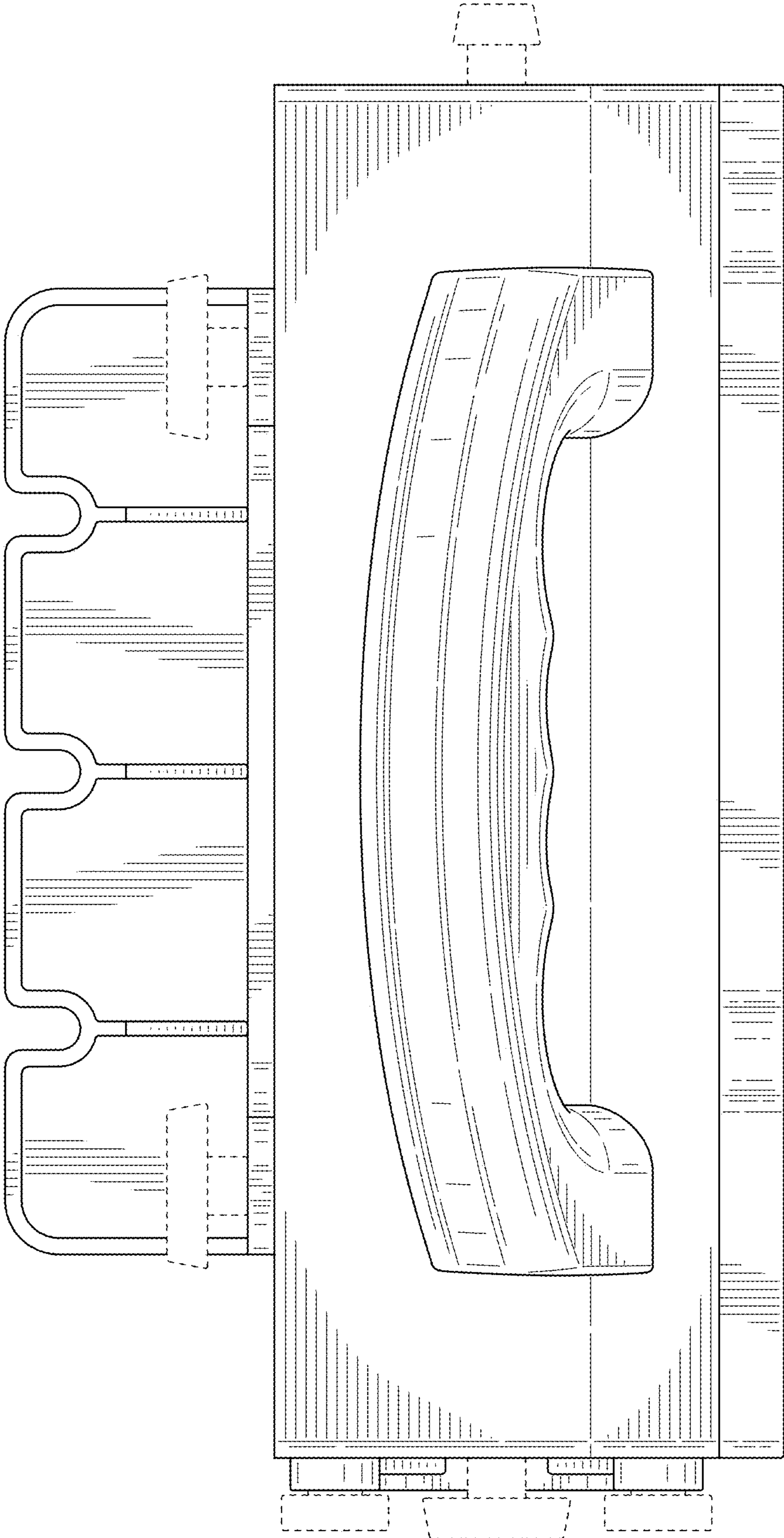


FIG. 8

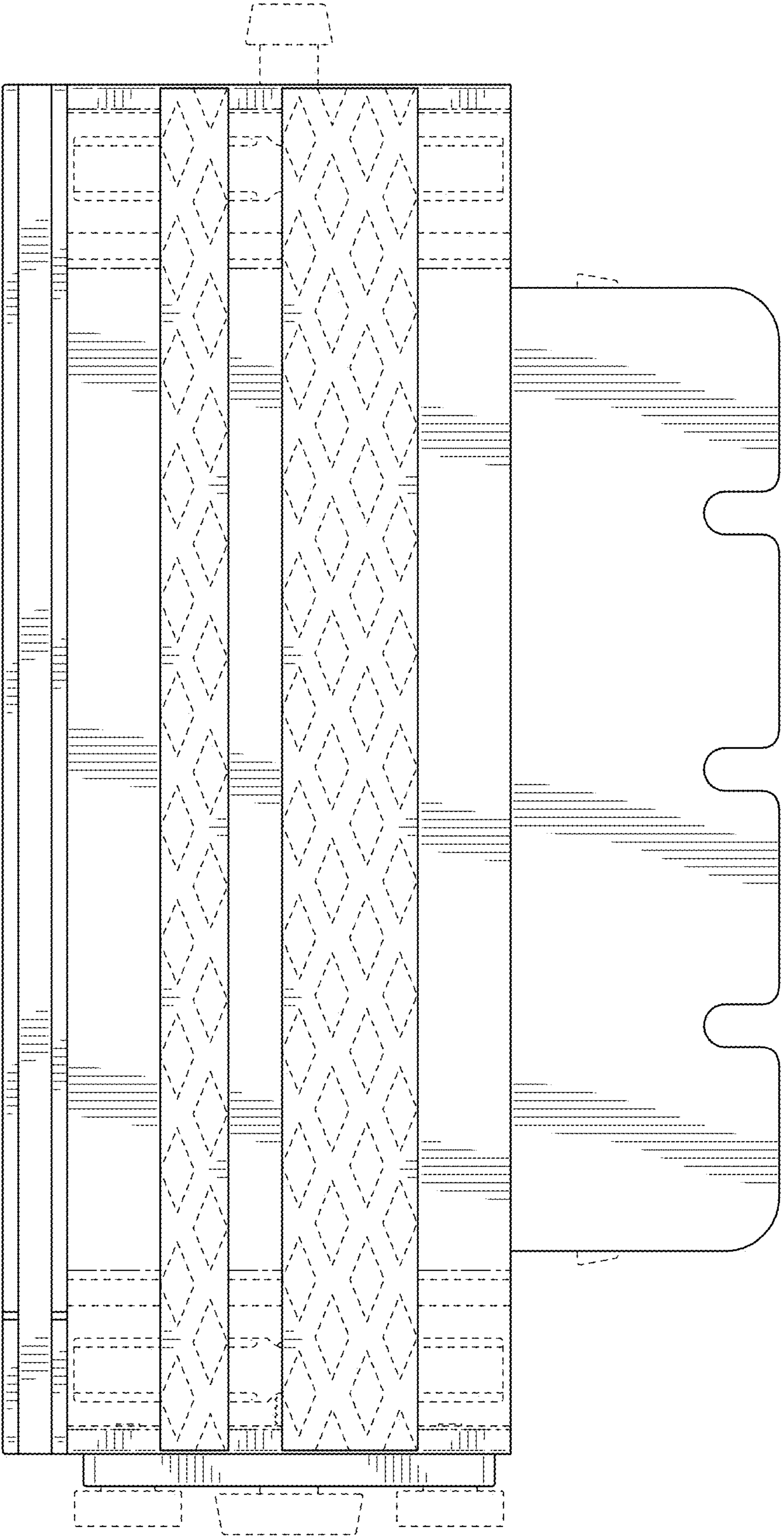


FIG. 9