



US00D914472S

(12) **United States Design Patent** (10) **Patent No.:** **US D914,472 S**
Xie (45) **Date of Patent:** **** Mar. 30, 2021**

(54) **SPATULA**
(71) Applicant: **Zhixia Xie**, Guangdong (CN)
(72) Inventor: **Zhixia Xie**, Guangdong (CN)
(73) Assignee: **Shenzhen Baozhixia Technology Co., Ltd.**, Shenzhen (CN)

D379,746 S 6/1997 Savicki
D527,959 S * 9/2006 Fung D7/690
D606,372 S 12/2009 Gorskey et al.
D749,378 S * 2/2016 Genatossio D7/692
D874,231 S 2/2020 Zemel et al.
D889,918 S 7/2020 Hubert
2003/0122388 A1 * 7/2003 Yeung A47J 43/288
294/7

(**) Term: **15 Years**

* cited by examiner

(21) Appl. No.: **29/760,029**

Primary Examiner — Terry A Wallace

(22) Filed: **Nov. 27, 2020**

(51) **LOC (13) Cl.** **07-04**

(57) **CLAIM**

(52) **U.S. Cl.**
USPC **D7/692**

The ornamental design for a spatula, as shown and described.

(58) **Field of Classification Search**
USPC D7/688–692, 669, 368
CPC A21B 3/003; A47G 21/045; A47G 21/04;
A47G 21/02; A47G 21/023; A47G
21/026; A47J 43/288; A47J 43/283; A47J
43/281; A47J 43/28; A47J 43/00; A47J
43/282; A47J 43/285; A47F 13/08; A61J
7/0023

DESCRIPTION

See application file for complete search history.

FIG. 1 is a front, left side perspective view of a spatula showing my new design;
FIG. 2 is a rear, right side perspective view thereof;
FIG. 3 is a front elevation view thereof;
FIG. 4 is a rear elevation view thereof;
FIG. 5 is a left side elevation view thereof;
FIG. 6 is a right side elevation view thereof;
FIG. 7 is a top plan view thereof; and,
FIG. 8 is a bottom plan view thereof.

(56) **References Cited**

1 Claim, 4 Drawing Sheets

U.S. PATENT DOCUMENTS

3,906,632 A * 9/1975 Oppenheimer A47J 43/288
30/322
D306,115 S * 2/1990 Zimmerman D7/669



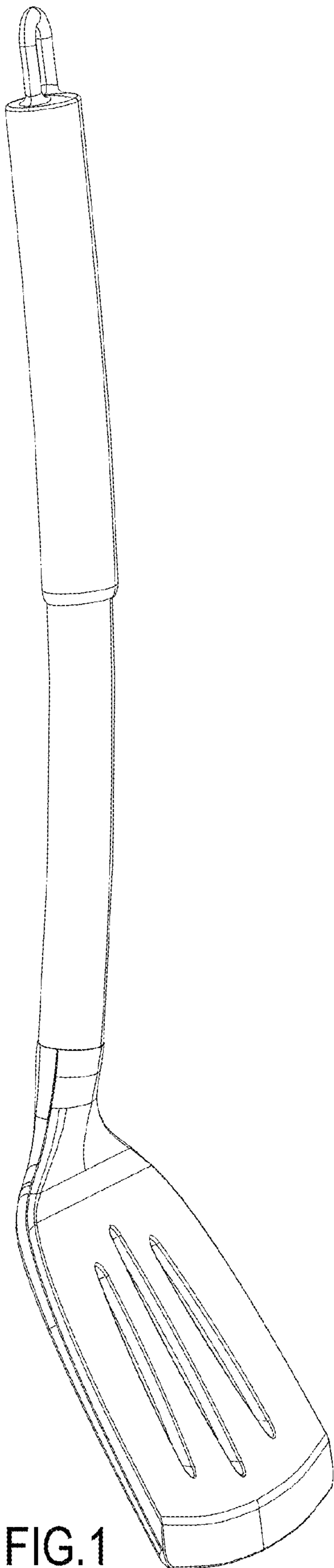


FIG. 1

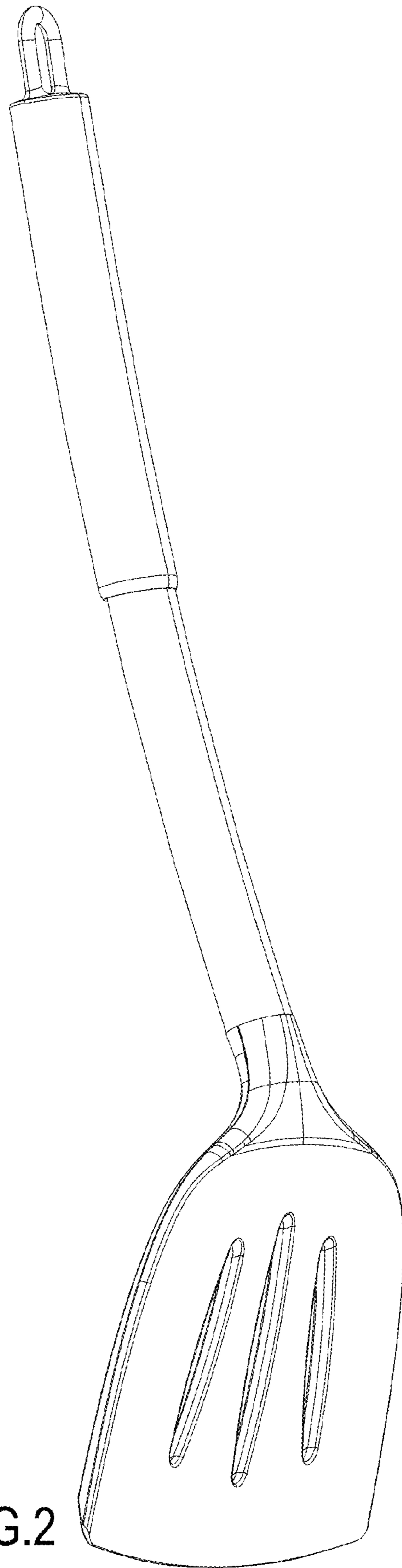


FIG. 2

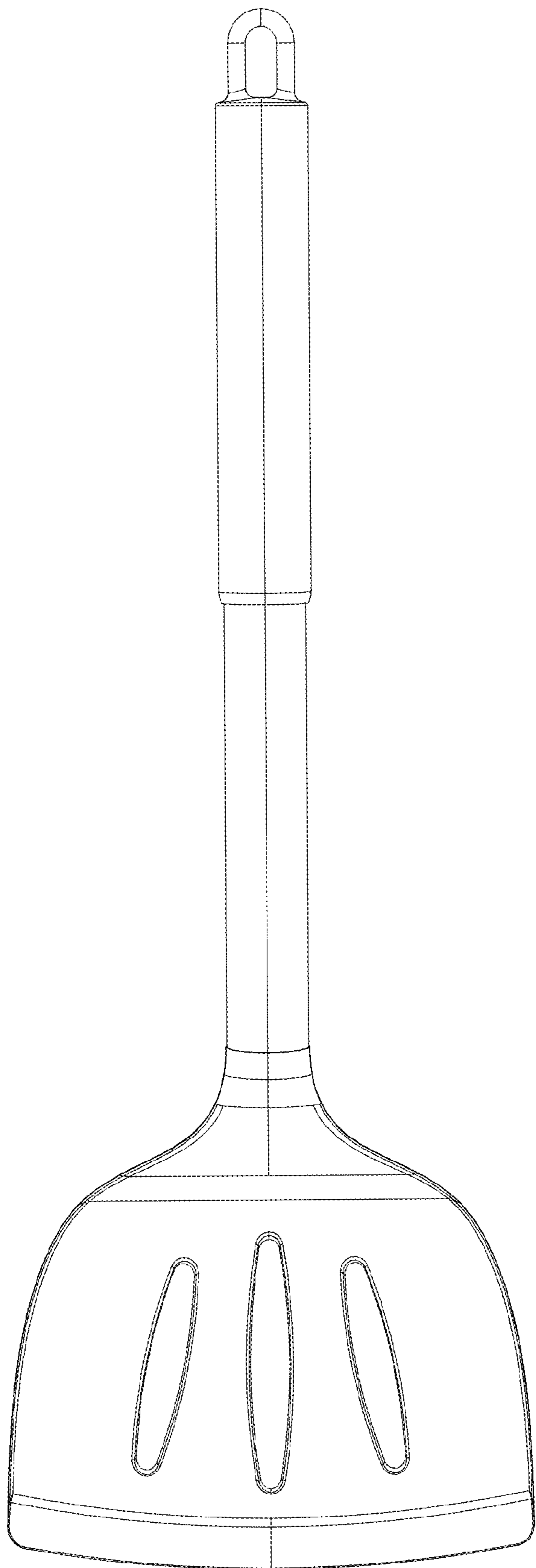


FIG.3

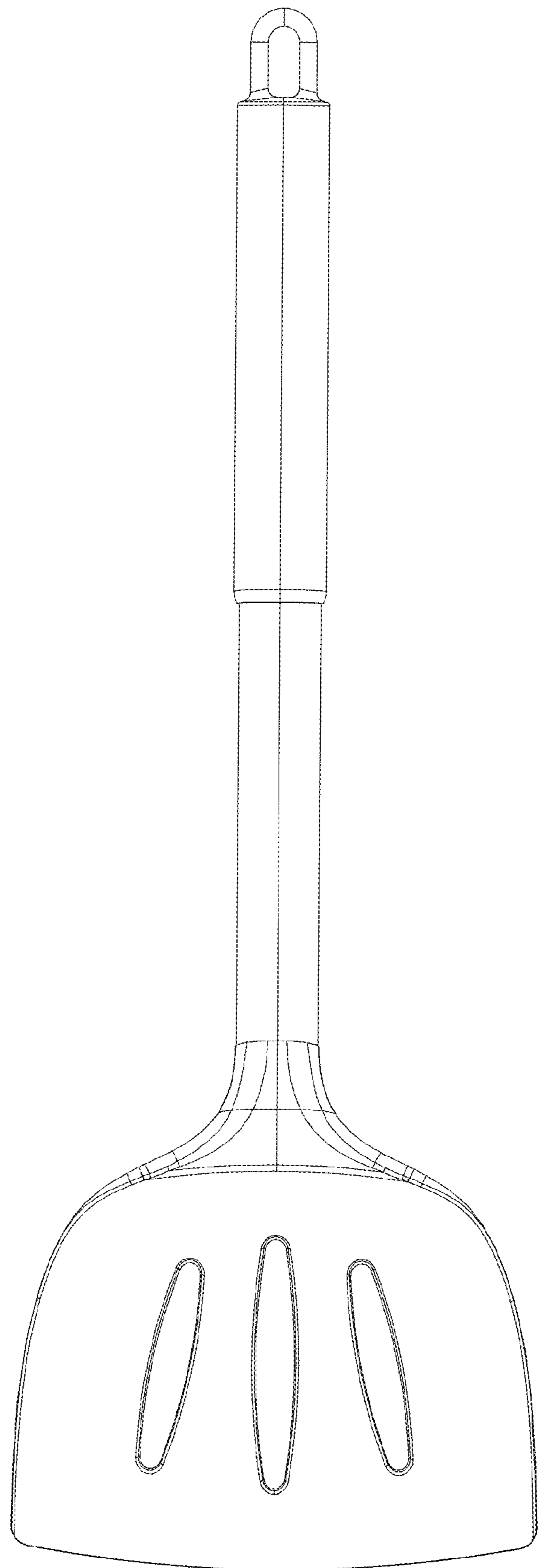


FIG.4

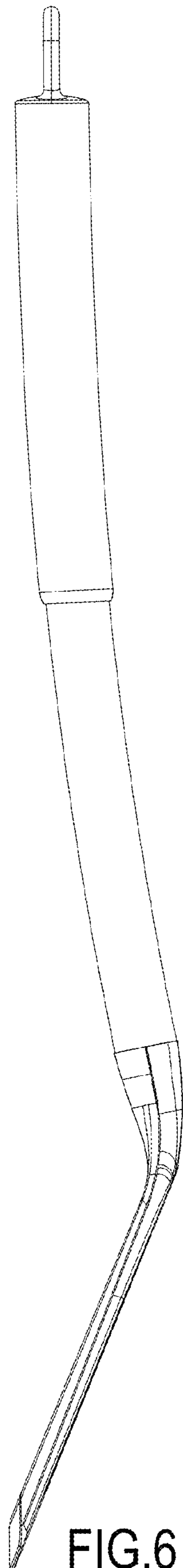
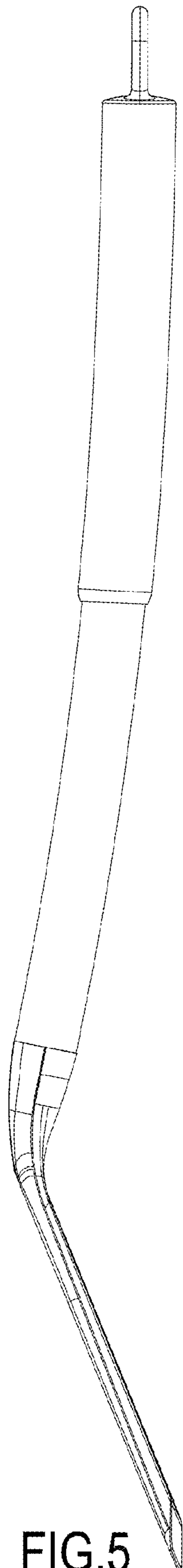


FIG. 5

FIG. 6

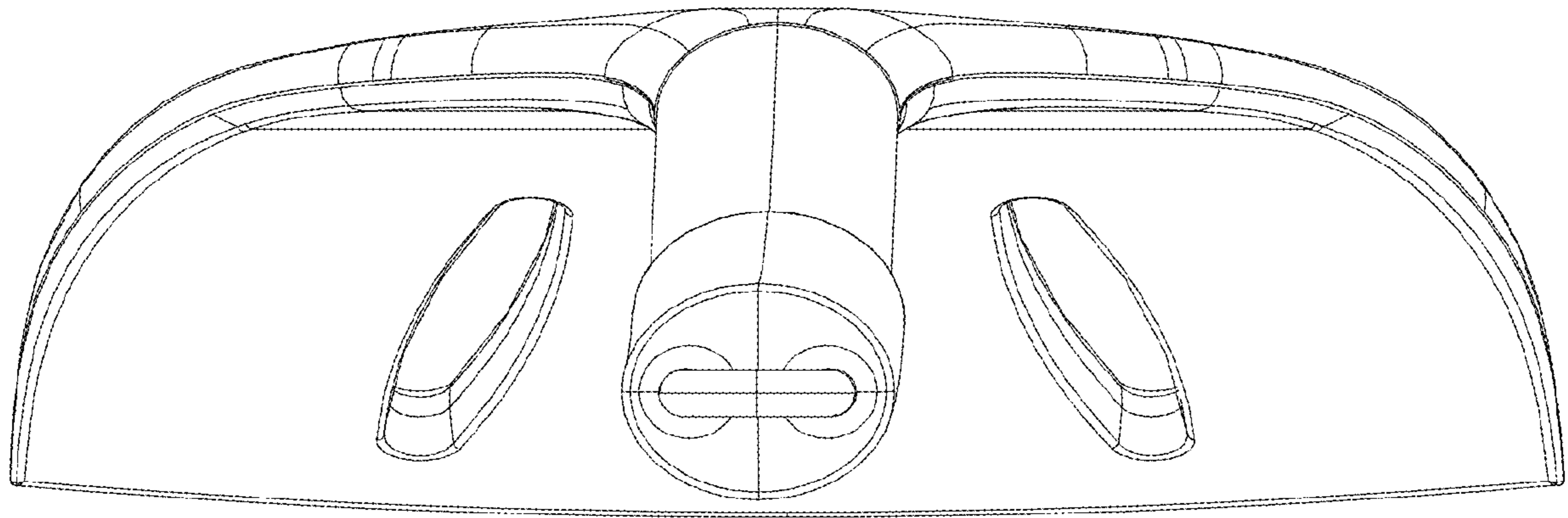


FIG.7

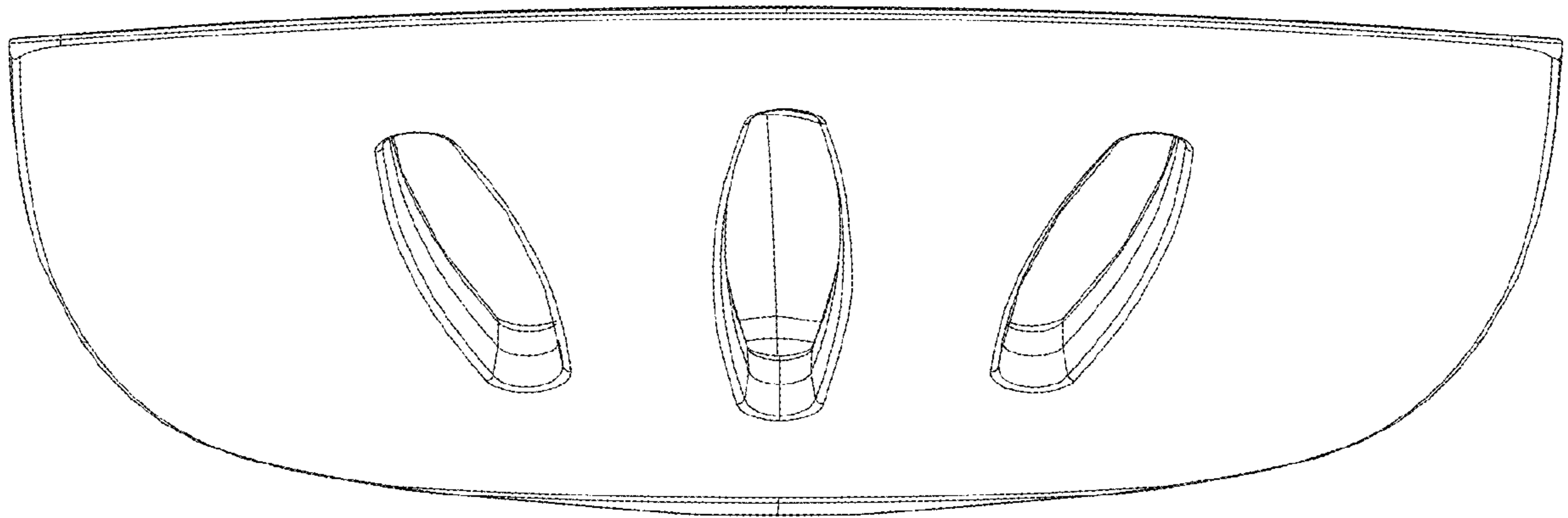


FIG.8