



US00D914471S

(12) **United States Design Patent**  
**Xie**

(10) **Patent No.:** **US D914,471 S**

(45) **Date of Patent:** **\*\* Mar. 30, 2021**

(54) **SPAGHETTI SPOON**

(71) Applicant: **Shenzhenshi Baozhixia Keji**  
**youxiangongsi**, Shenzhen Guangdong  
(CN)

(72) Inventor: **Zhixia Xie**, Guangdong Province (CN)

(\*\*) Term: **15 Years**

(21) Appl. No.: **29/750,080**

(22) Filed: **Sep. 11, 2020**

(51) **LOC (13) Cl.** ..... **07-02**

(52) **U.S. Cl.**  
USPC ..... **D7/692**

(58) **Field of Classification Search**  
USPC ..... D7/688-692, 669, 368  
CPC ..... A21B 3/003; A47G 21/045; A47G 21/04;  
A47G 21/02; A47G 21/023; A47G  
21/026; A47G 2400/067; A47J 43/288;  
A47J 43/283; A47J 43/281; A47J 43/28;  
A47J 43/00; A47J 43/282; A47J 43/285;  
A47J 43/284; A47F 13/08; A61J 7/0023  
See application file for complete search history.

(56) **References Cited**

**U.S. PATENT DOCUMENTS**

2,810,957 A \* 10/1957 Nelson ..... A47G 21/02  
30/324  
D402,167 S \* 12/1998 Durbin ..... D7/692

D480,280 S \* 10/2003 Schulein ..... D7/692  
D498,990 S \* 11/2004 White ..... D7/692  
D508,830 S \* 8/2005 Moore ..... D7/688  
D525,087 S 7/2006 Vaishnav  
D527,959 S \* 9/2006 Fung ..... D7/690  
D598,720 S \* 8/2009 Wu ..... D7/692

\* cited by examiner

*Primary Examiner* — Terry A Wallace

(74) *Attorney, Agent, or Firm* — ZANIP

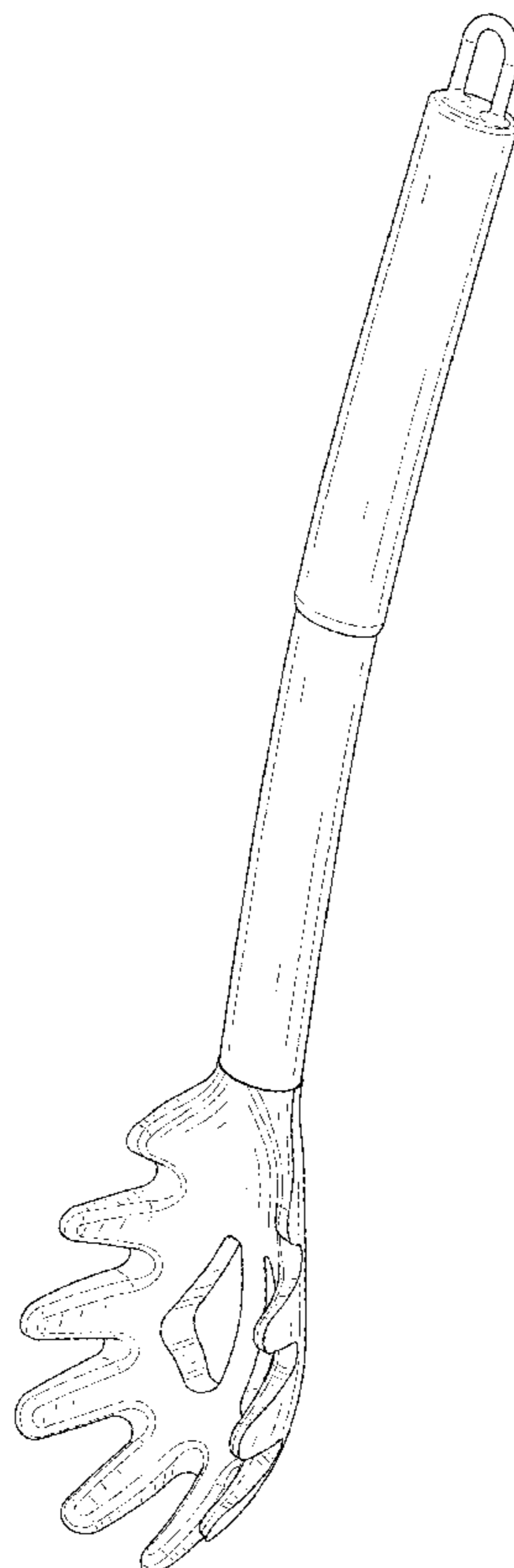
(57) **CLAIM**

The ornamental design for a spaghetti spoon, as shown and described.

**DESCRIPTION**

FIG. 1 is a front and top perspective view of a spaghetti spoon, showing my new design;  
FIG. 2 is a rear and bottom perspective view thereof;  
FIG. 3 is a front elevational view thereof;  
FIG. 4 is a rear elevational view thereof;  
FIG. 5 is a left side elevational view thereof;  
FIG. 6 is a right side elevational view thereof;  
FIG. 7 is a top plan view thereof; and,  
FIG. 8 is a bottom plan view thereof.

**1 Claim, 8 Drawing Sheets**



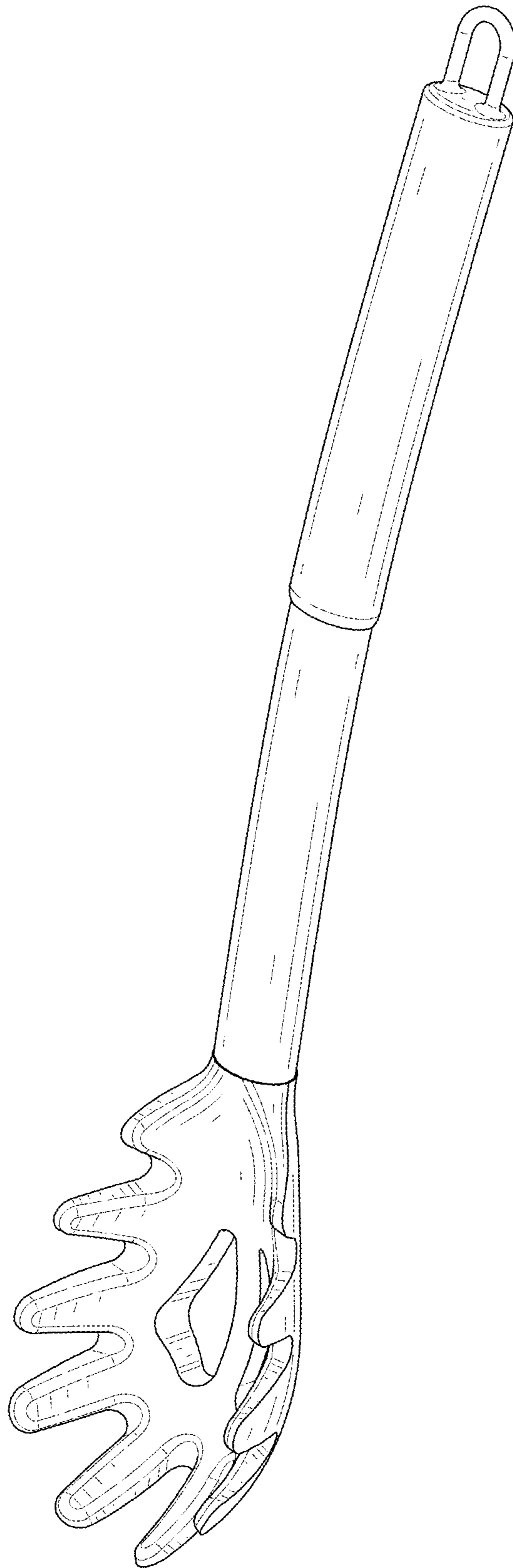


FIG. 1

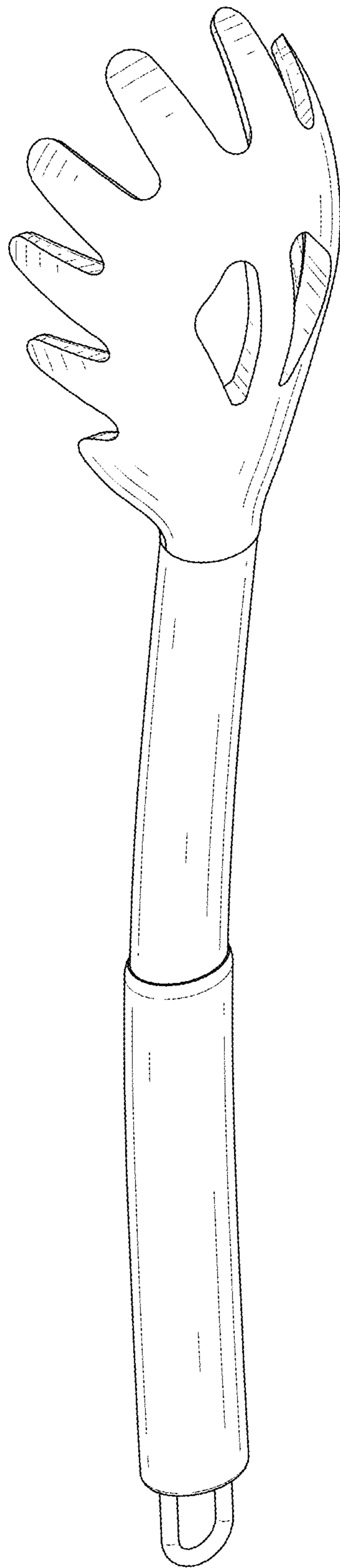


FIG. 2

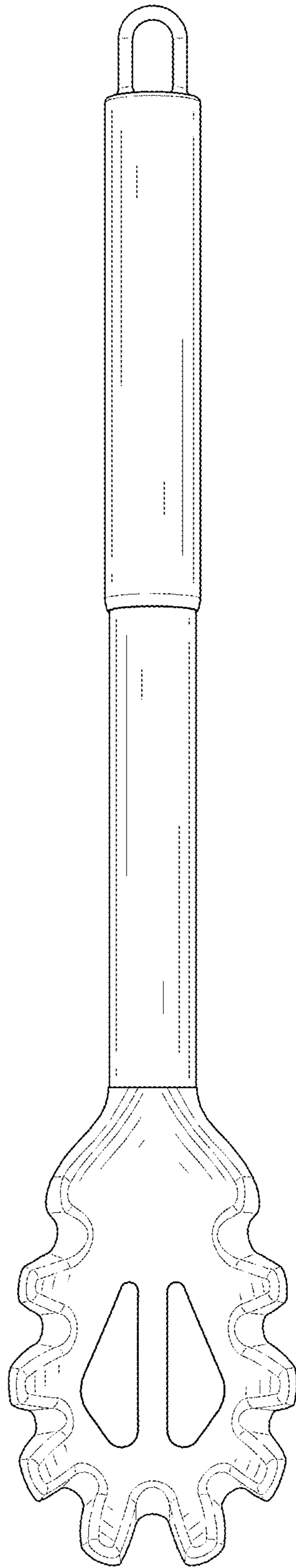


FIG. 3

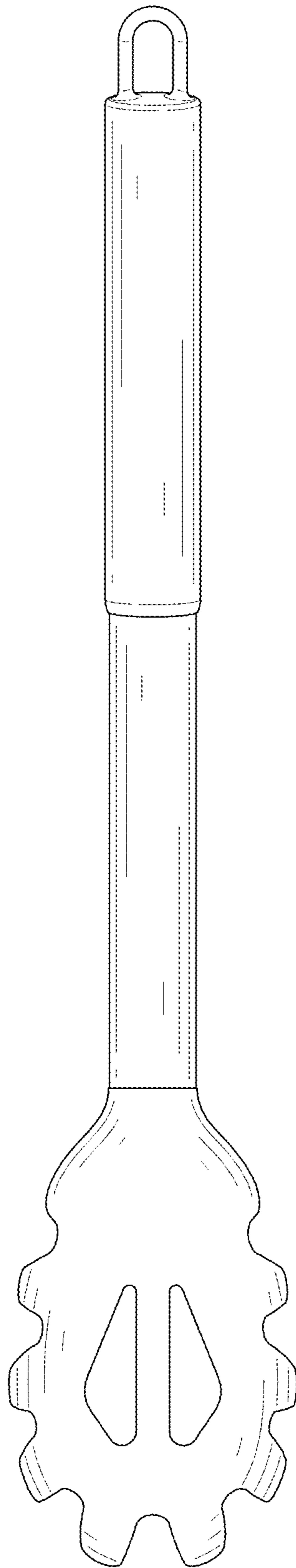


FIG. 4

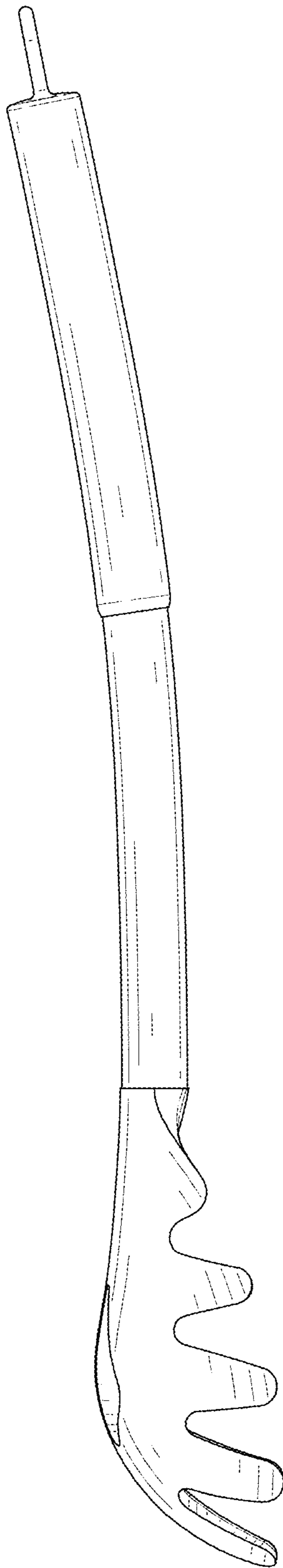


FIG. 5

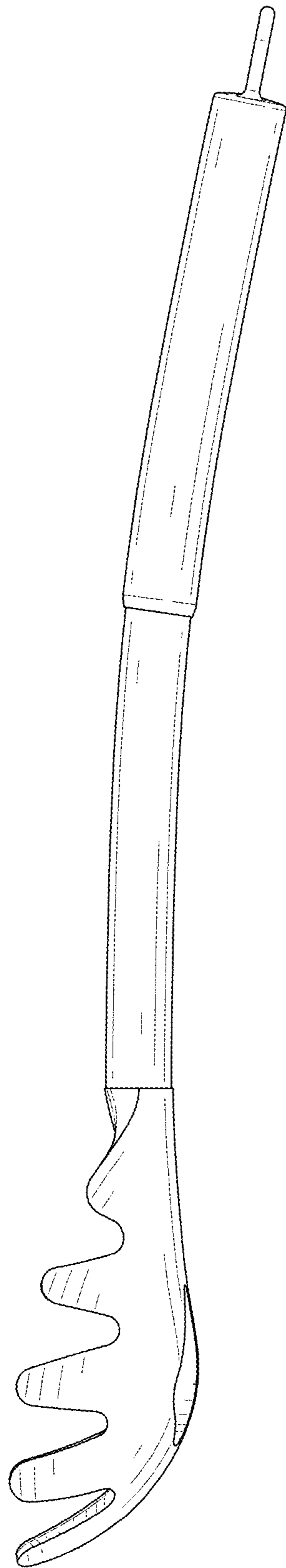


FIG. 6

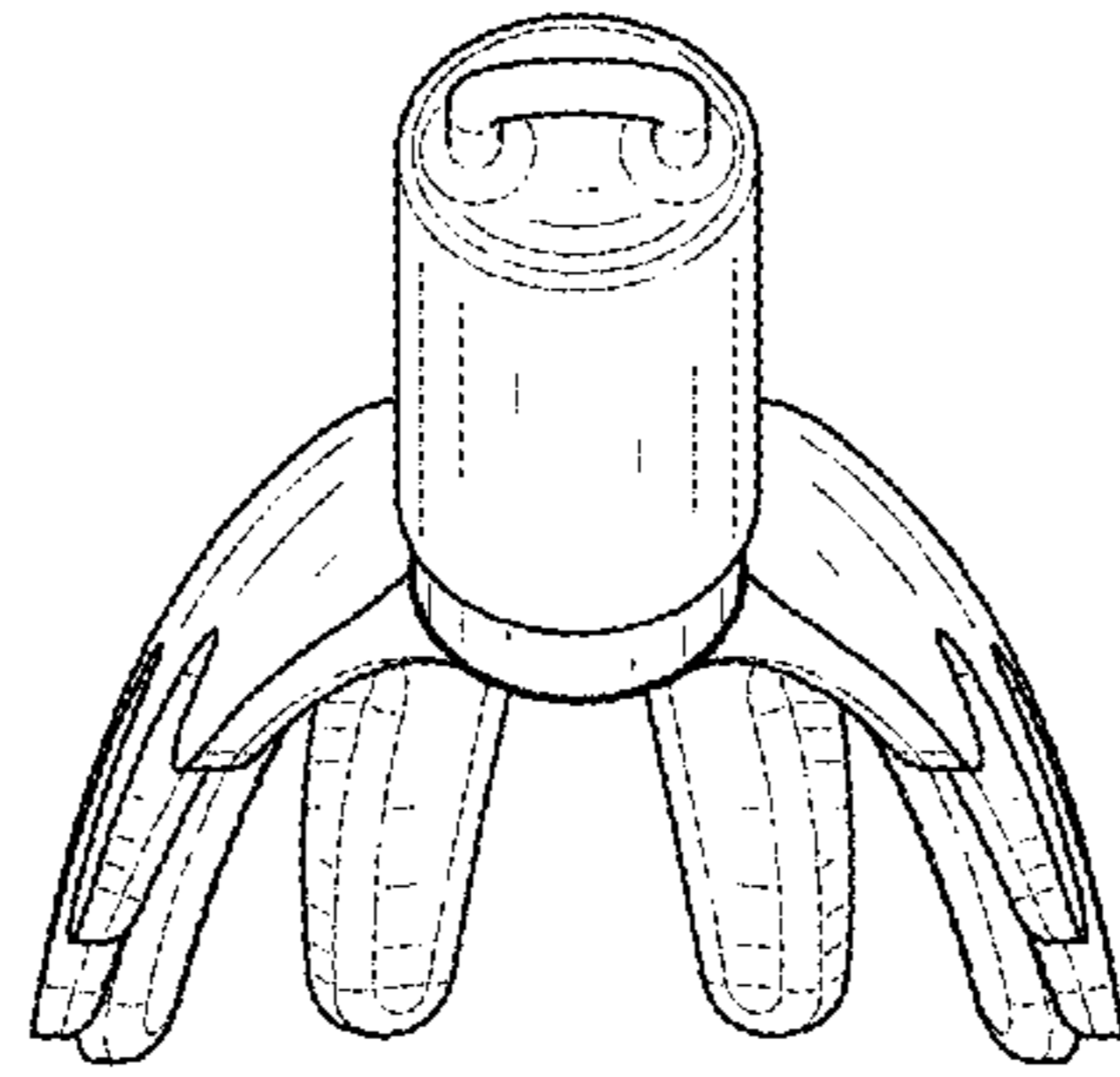


FIG. 7



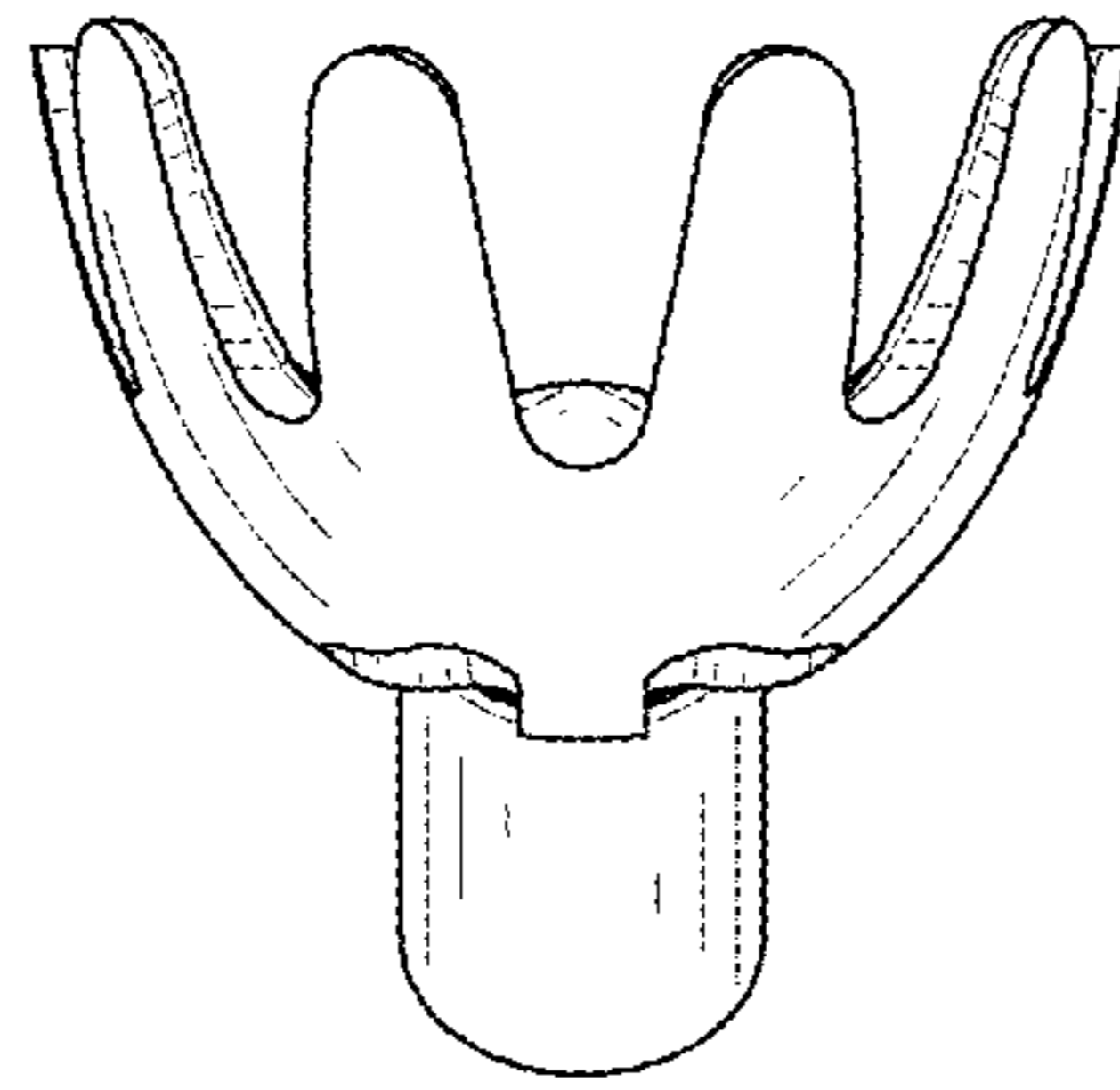


FIG. 8