



US00D914470S

(12) **United States Design Patent** (10) **Patent No.:** **US D914,470 S**
Xie (45) **Date of Patent:** **** Mar. 30, 2021**

(54) **SLOTTED SPOON**

(71) Applicant: **Shenzhenshi Baozhixia Keji**
youxiangongsi, Shenzhen Guangdong
(CN)

(72) Inventor: **Zhixia Xie**, Guangdong Province (CN)

(**) Term: **15 Years**

(21) Appl. No.: **29/750,079**

(22) Filed: **Sep. 11, 2020**

(51) **LOC (13) Cl.** **07-02**

(52) **U.S. Cl.**
USPC **D7/692**

(58) **Field of Classification Search**
USPC D7/688-692, 669, 368
CPC A21B 3/003; A47G 21/045; A47G 21/04;
A47G 21/02; A47G 21/023; A47G
21/026; A47J 43/288; A47J 43/283; A47J
43/281; A47J 43/28; A47J 43/00; A47J
43/282; A47J 43/285; A47F 13/08; A61J
7/0023

See application file for complete search history.

(56) **References Cited**

U.S. PATENT DOCUMENTS

D507,725 S * 7/2005 White D7/647
2005/0145733 A1* 7/2005 Silver A47J 43/25
241/168

* cited by examiner

Primary Examiner — Terry A Wallace
(74) *Attorney, Agent, or Firm* — ZANIP

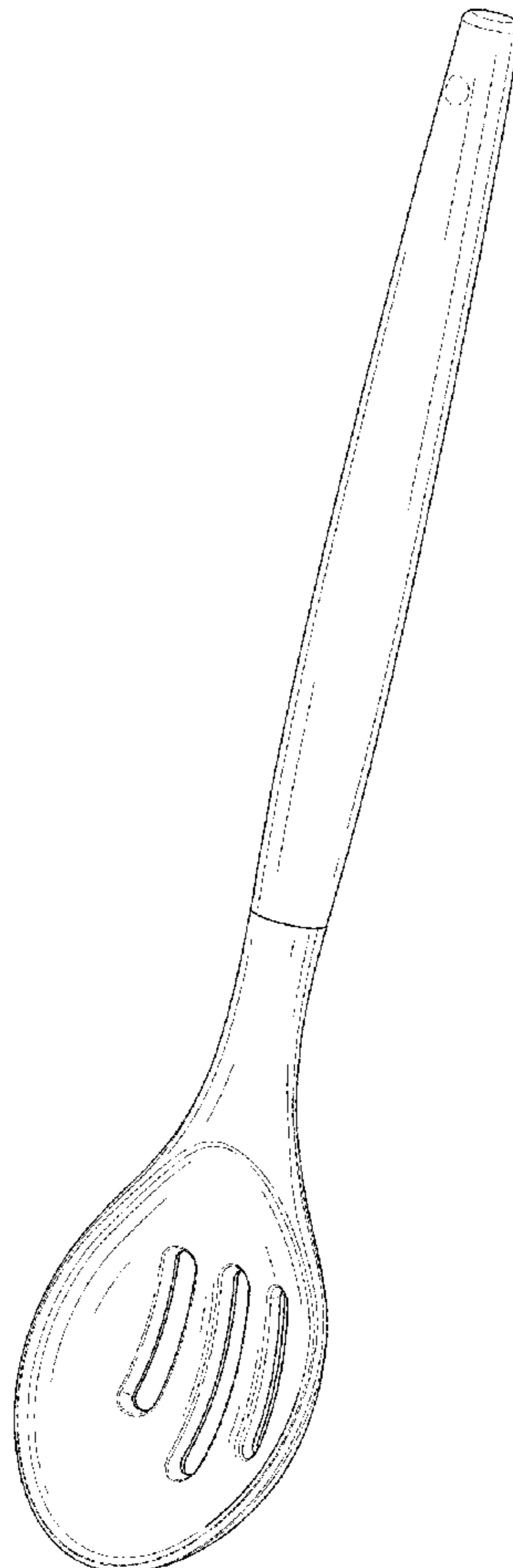
(57) **CLAIM**

The ornamental design for a slotted spoon, as shown and described.

DESCRIPTION

FIG. 1 is a front and top perspective view of a slotted spoon, showing my new design;
FIG. 2 is a rear and bottom perspective view thereof;
FIG. 3 is a front elevational view thereof;
FIG. 4 is a rear elevational view thereof;
FIG. 5 is a left side devotional view thereof;
FIG. 6 is a right side elevational view thereof;
FIG. 7 is a top plan view thereof; and,
FIG. 8 is a bottom plan view thereof.
The broken lines in the figures illustrate portions of the article that form no part of the claimed design.

1 Claim, 8 Drawing Sheets



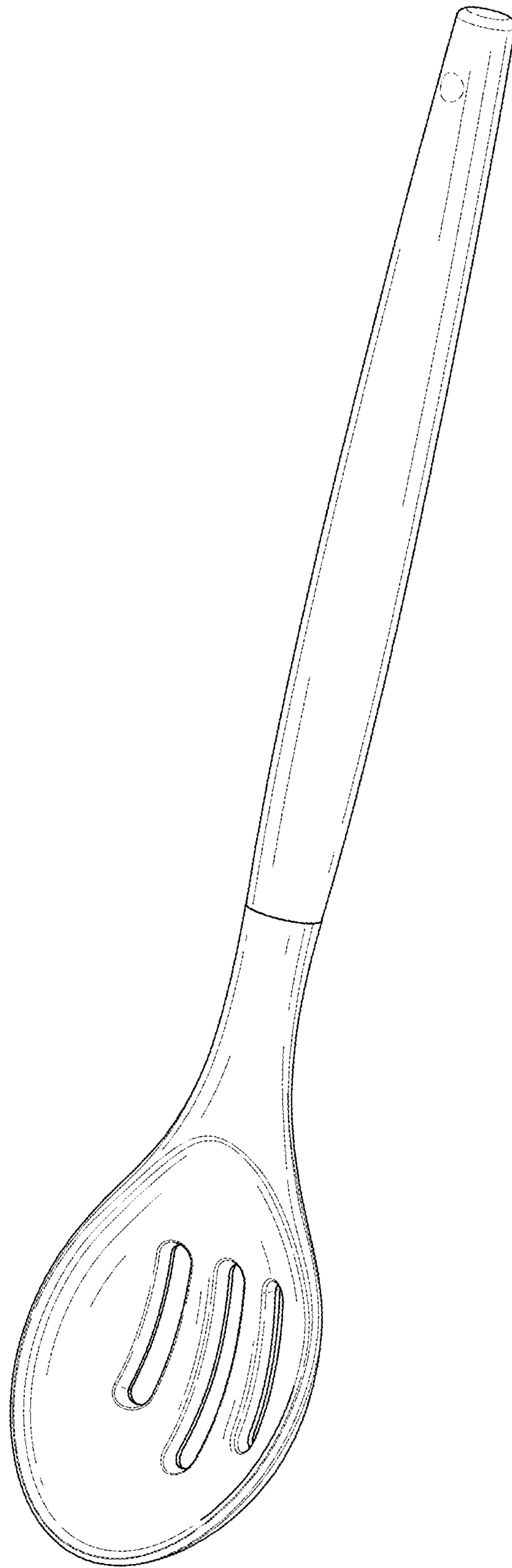


FIG. 1

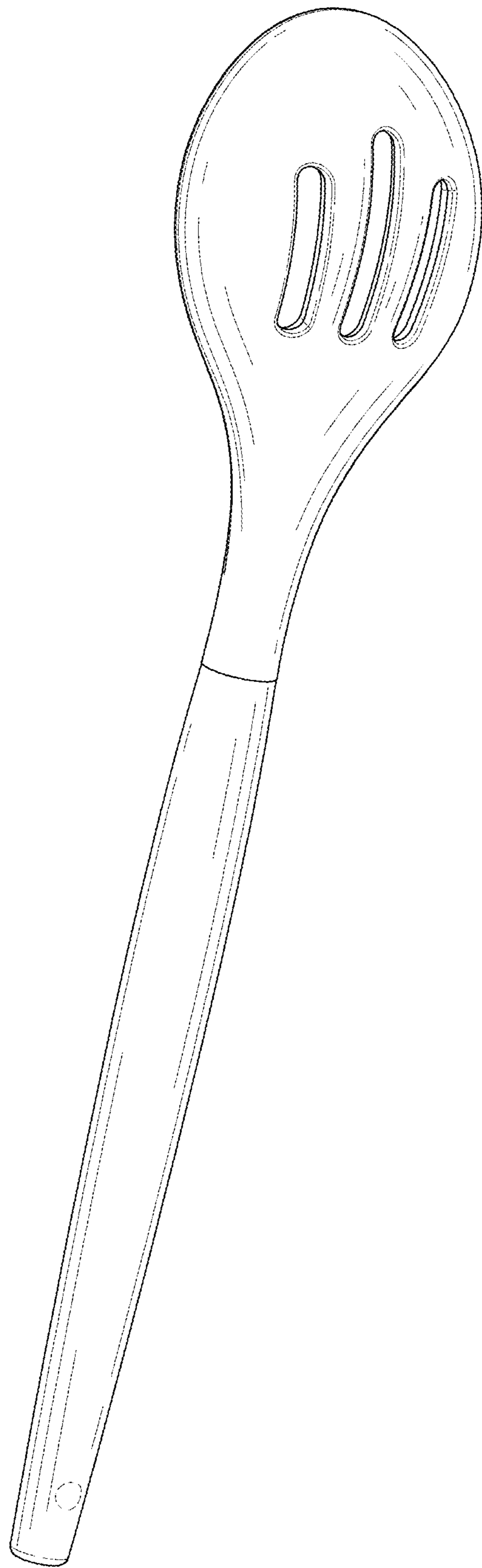


FIG. 2

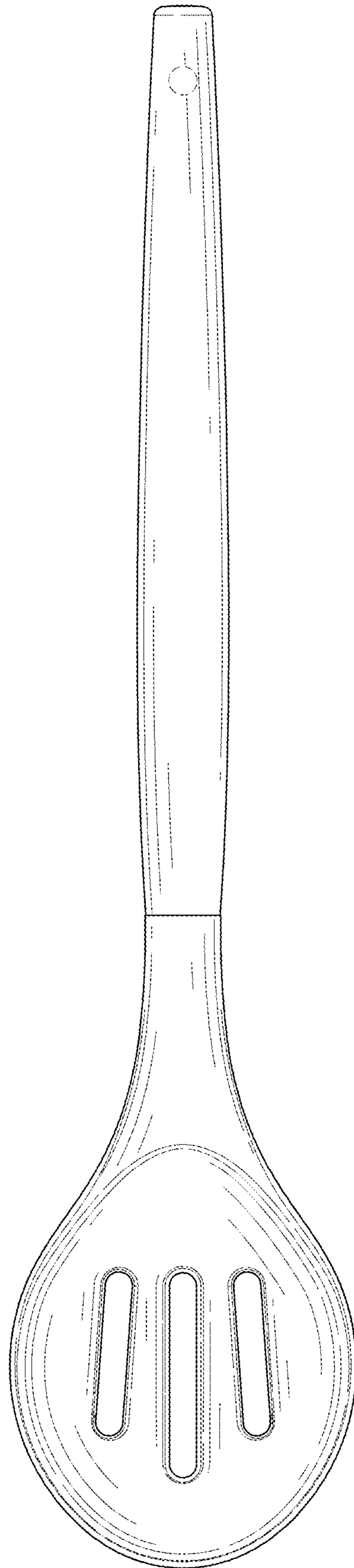


FIG. 3

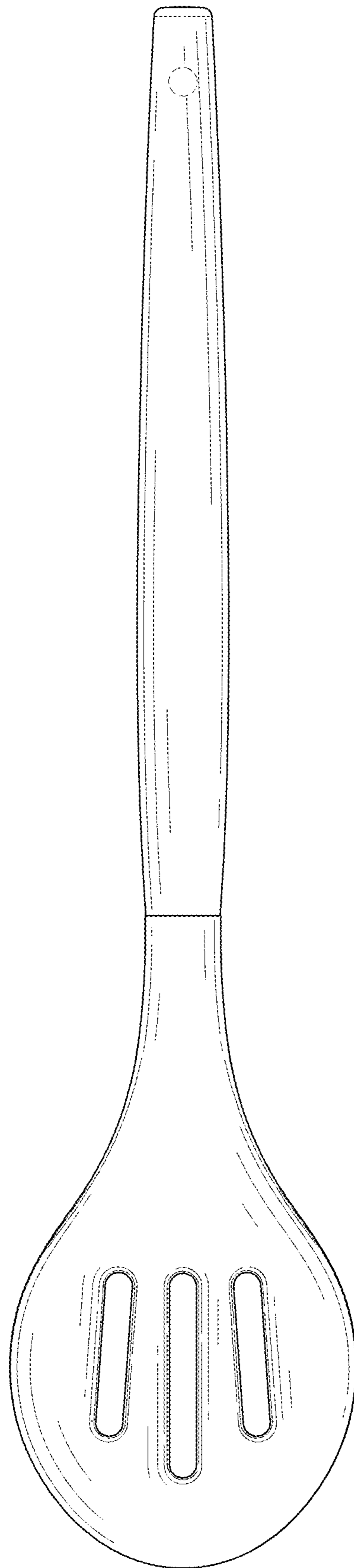


FIG. 4

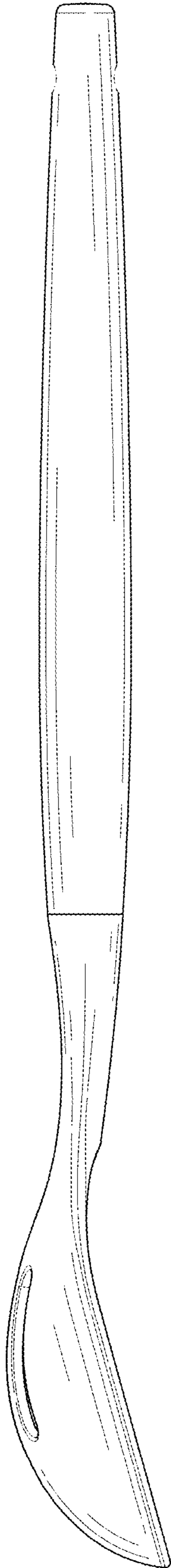


FIG. 5

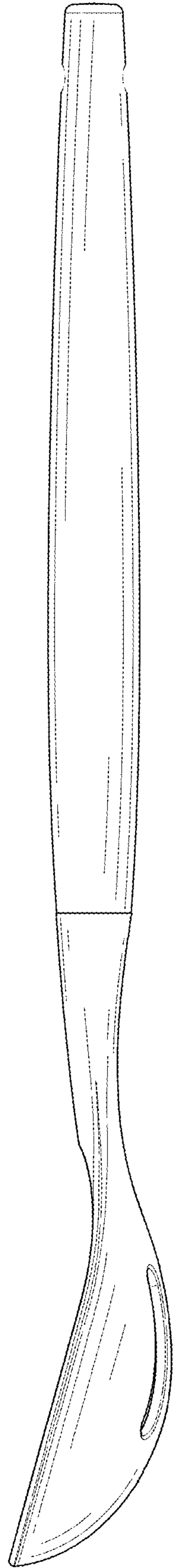


FIG. 6

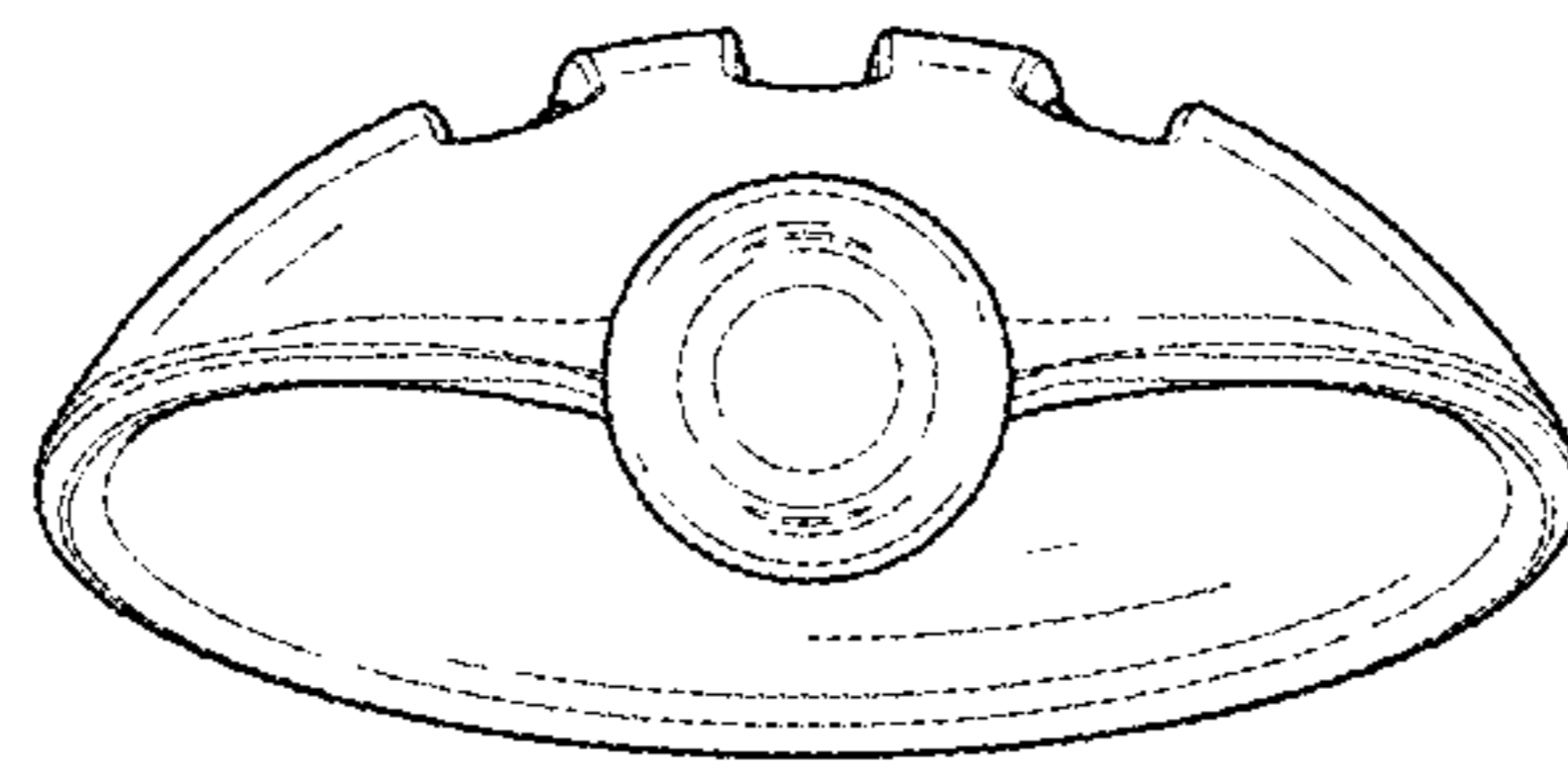


FIG. 7

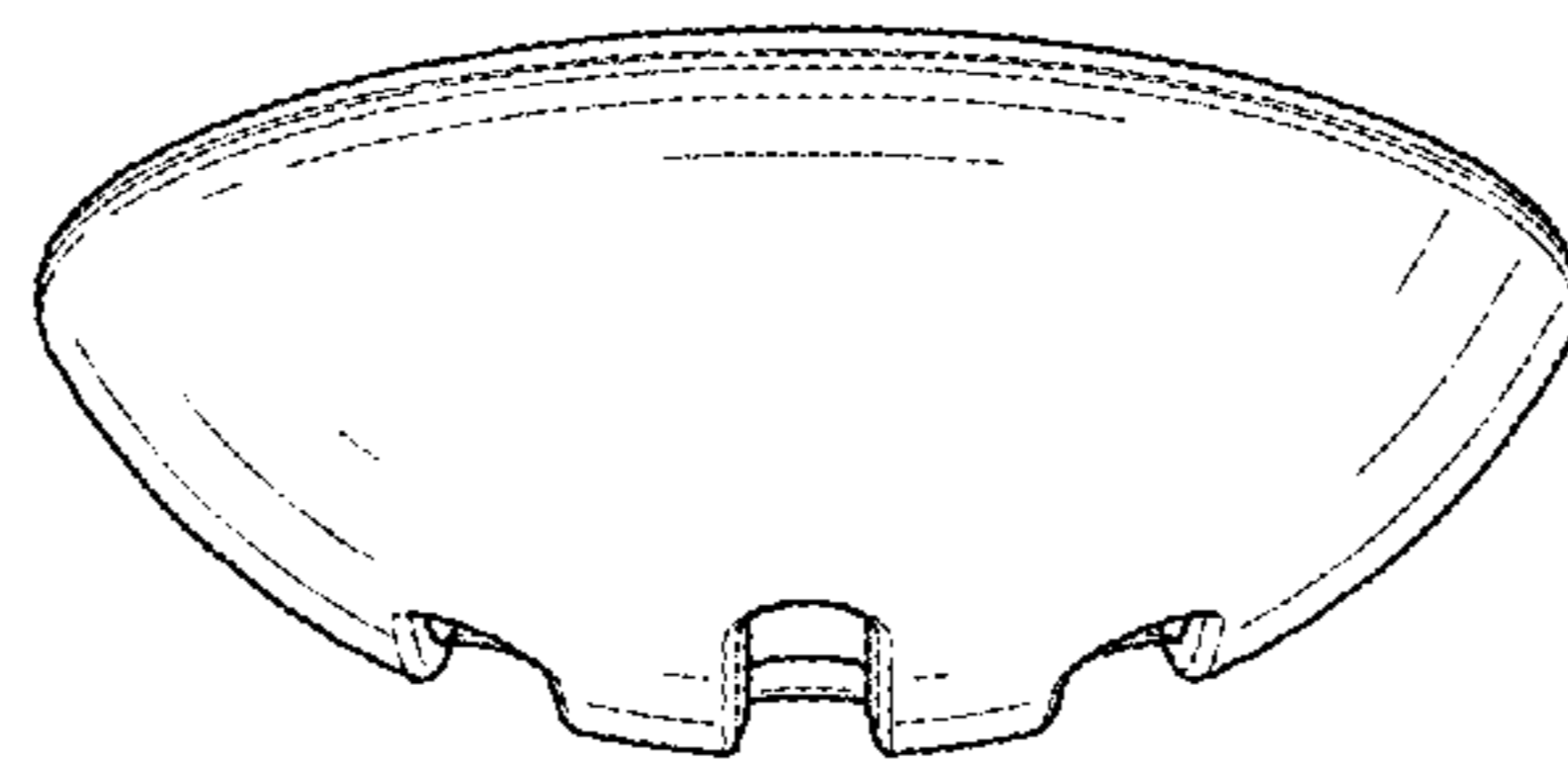


FIG. 8