



US00D914469S

(12) **United States Design Patent** (10) **Patent No.:** **US D914,469 S**  
**Xie** (45) **Date of Patent:** **\*\* Mar. 30, 2021**

(54) **SPOON**

(71) Applicant: **Zhixia Xie**, Guangdong (CN)

(72) Inventor: **Zhixia Xie**, Guangdong (CN)

(73) Assignee: **Shenzhen Baozhixia Tehnology Co., Ltd.**, Shenzhen (CN)

(\*\*) Term: **15 Years**

(21) Appl. No.: **29/760,037**

(22) Filed: **Nov. 27, 2020**

(51) **LOC (13) Cl.** ..... **07-02**

(52) **U.S. Cl.**  
USPC ..... **D7/691**

(58) **Field of Classification Search**  
USPC ..... D7/688-692, 669, 368  
CPC ..... A21B 3/003; A47G 21/045; A47G 21/04;  
A47G 21/02; A47G 21/023; A47G  
21/026; A47J 43/288; A47J 43/283; A47J  
43/281; A47J 43/28; A47J 43/00; A47J  
43/282; A47J 43/285; A47F 13/08; A61J  
7/0023

See application file for complete search history.

(56) **References Cited**

U.S. PATENT DOCUMENTS

D307,095 S *	4/1990	Juergens	.....	D7/653
D413,772 S	9/1999	Durbin		
D429,123 S	8/2000	Liu		
D491,419 S *	6/2004	White	.....	D7/653
D507,725 S	7/2005	White et al.		

\* cited by examiner

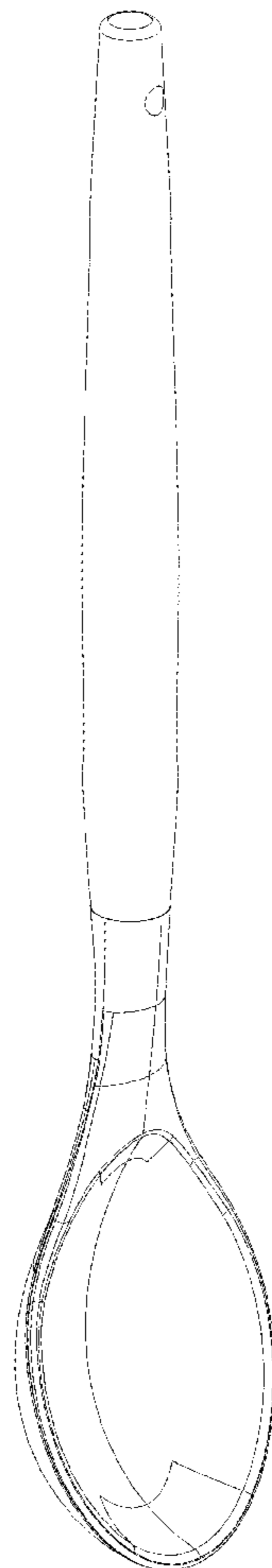
*Primary Examiner* — Terry A Wallace

(57) **CLAIM**  
The ornamental design for a spoon, as shown and described.

**DESCRIPTION**

FIG. 1 is a front, left perspective view of a spoon showing my new design;  
 FIG. 2 is a right side perspective view thereof;  
 FIG. 3 is a front elevation view thereof;  
 FIG. 4 is a rear elevation view thereof;  
 FIG. 5 is a left side elevation view thereof;  
 FIG. 6 is a right side elevation view thereof;  
 FIG. 7 is an enlarged top plan view thereof; and,  
 FIG. 8 is an enlarged bottom plan view thereof.

**1 Claim, 5 Drawing Sheets**



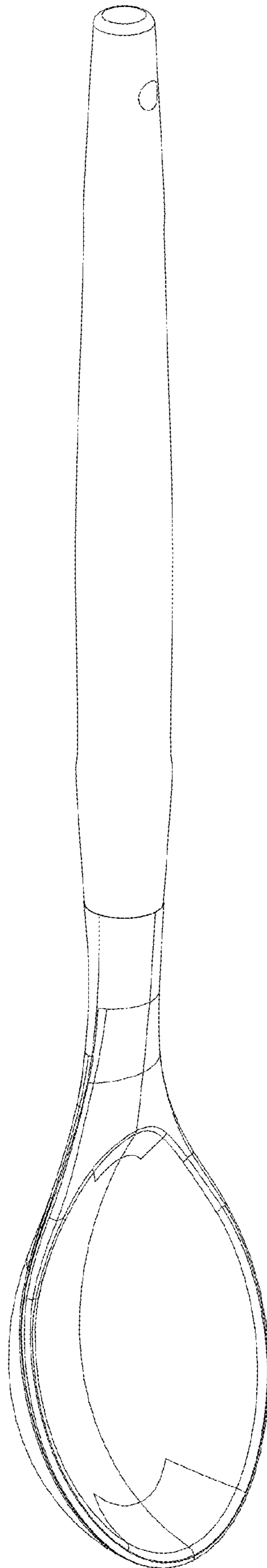


FIG.1

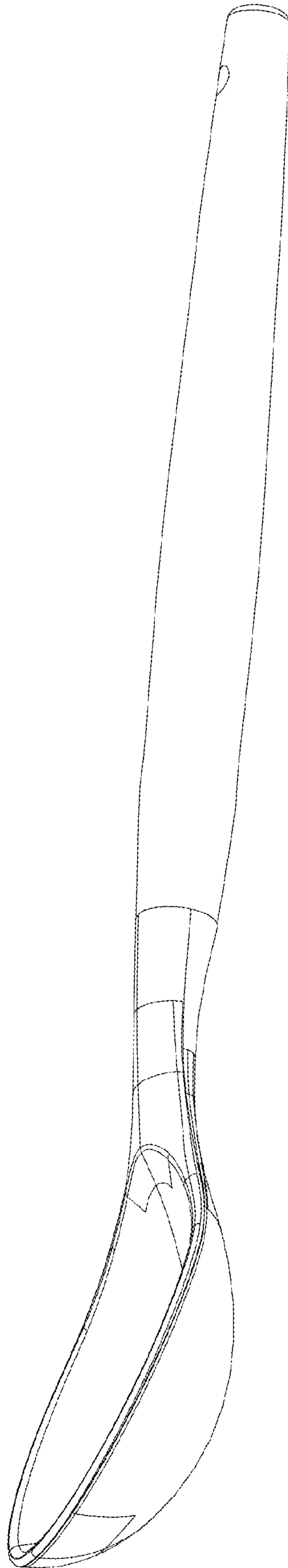


FIG.2

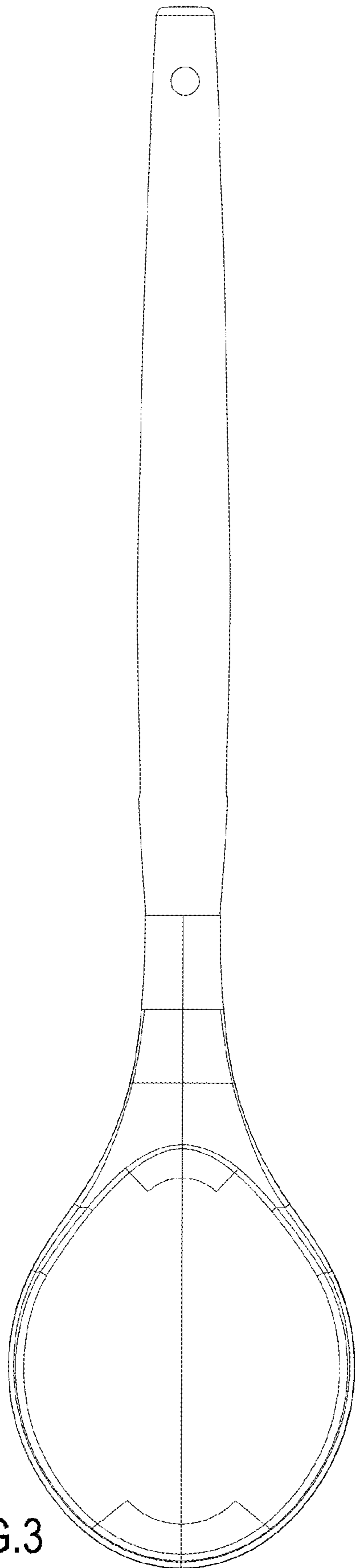


FIG.3

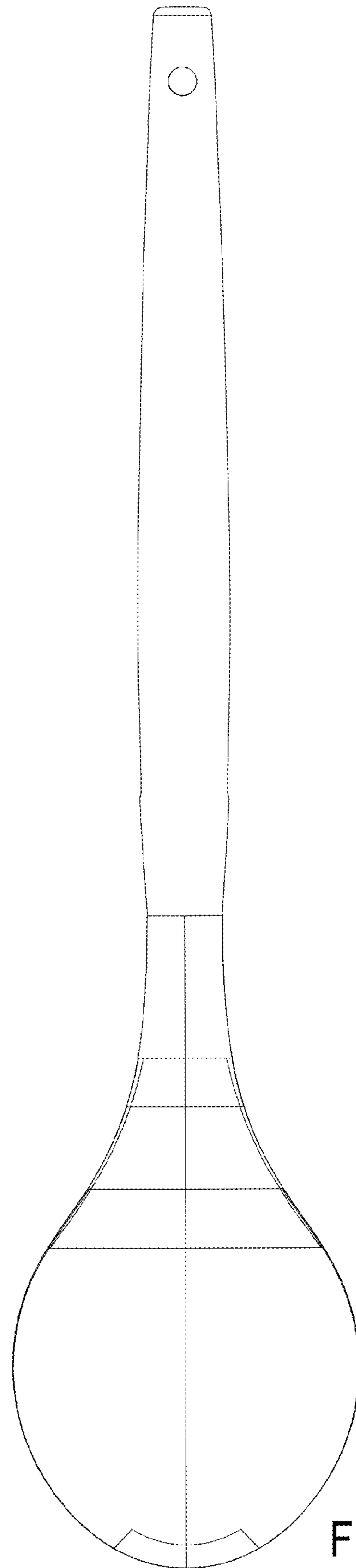


FIG.4

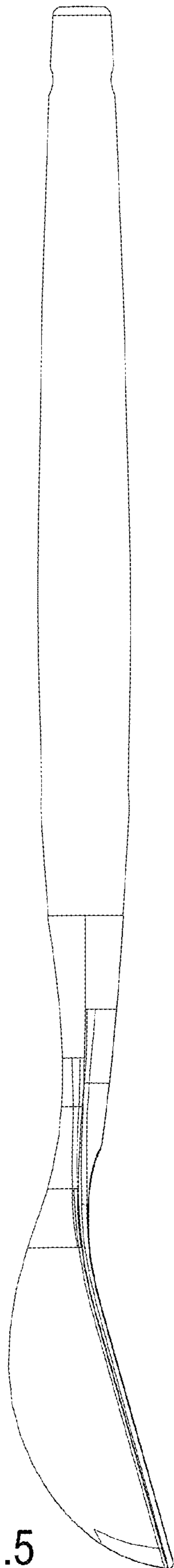


FIG.5

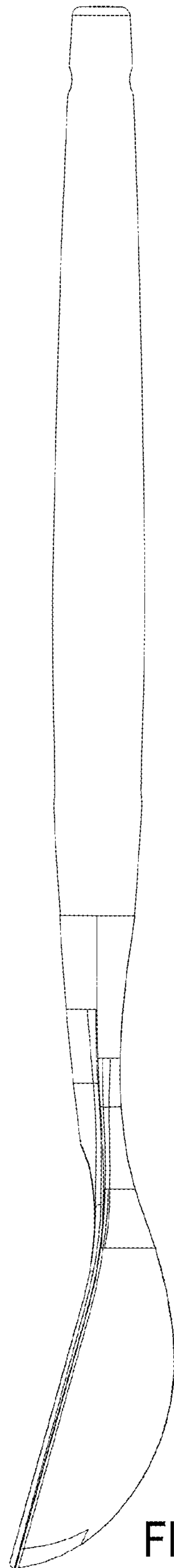


FIG.6

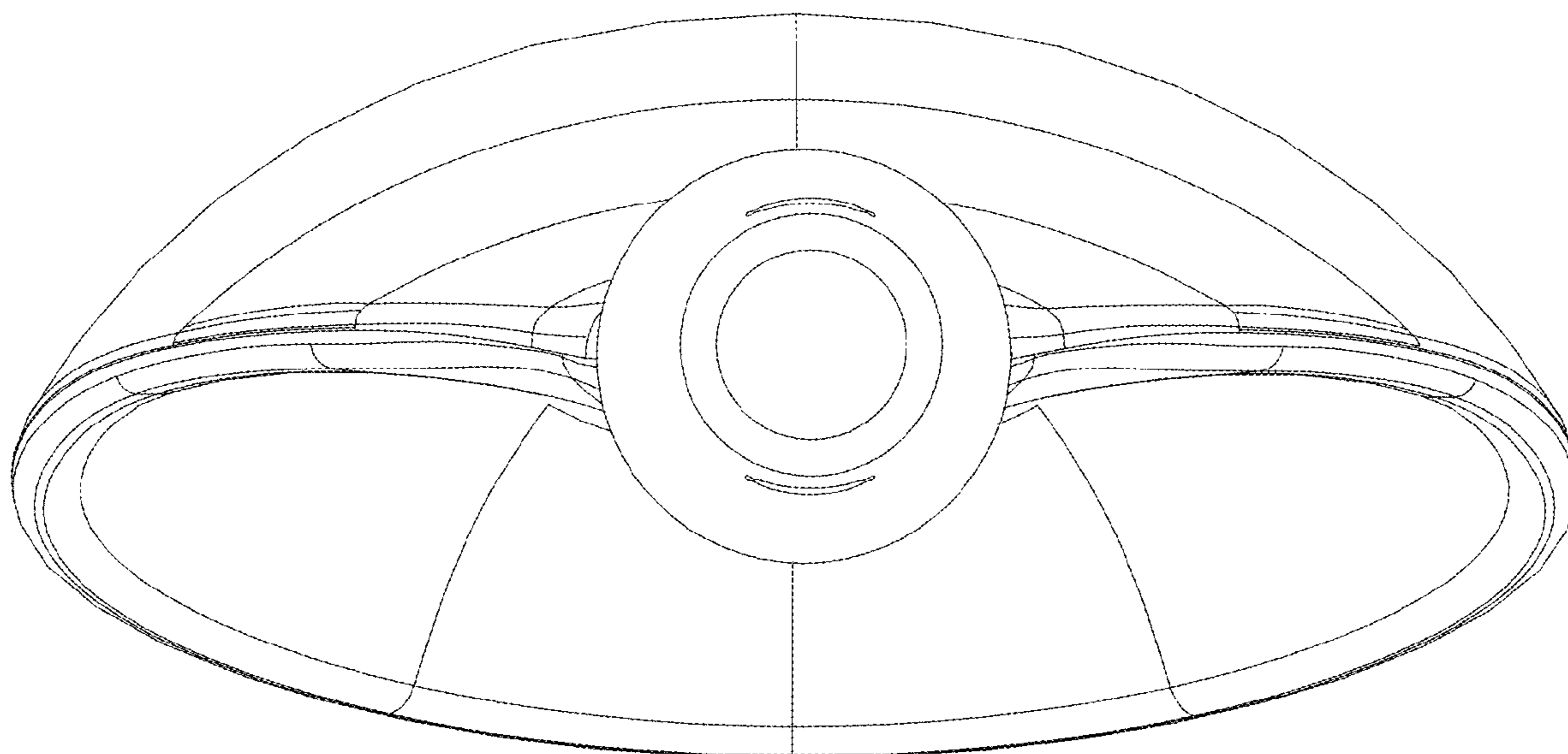


FIG.7

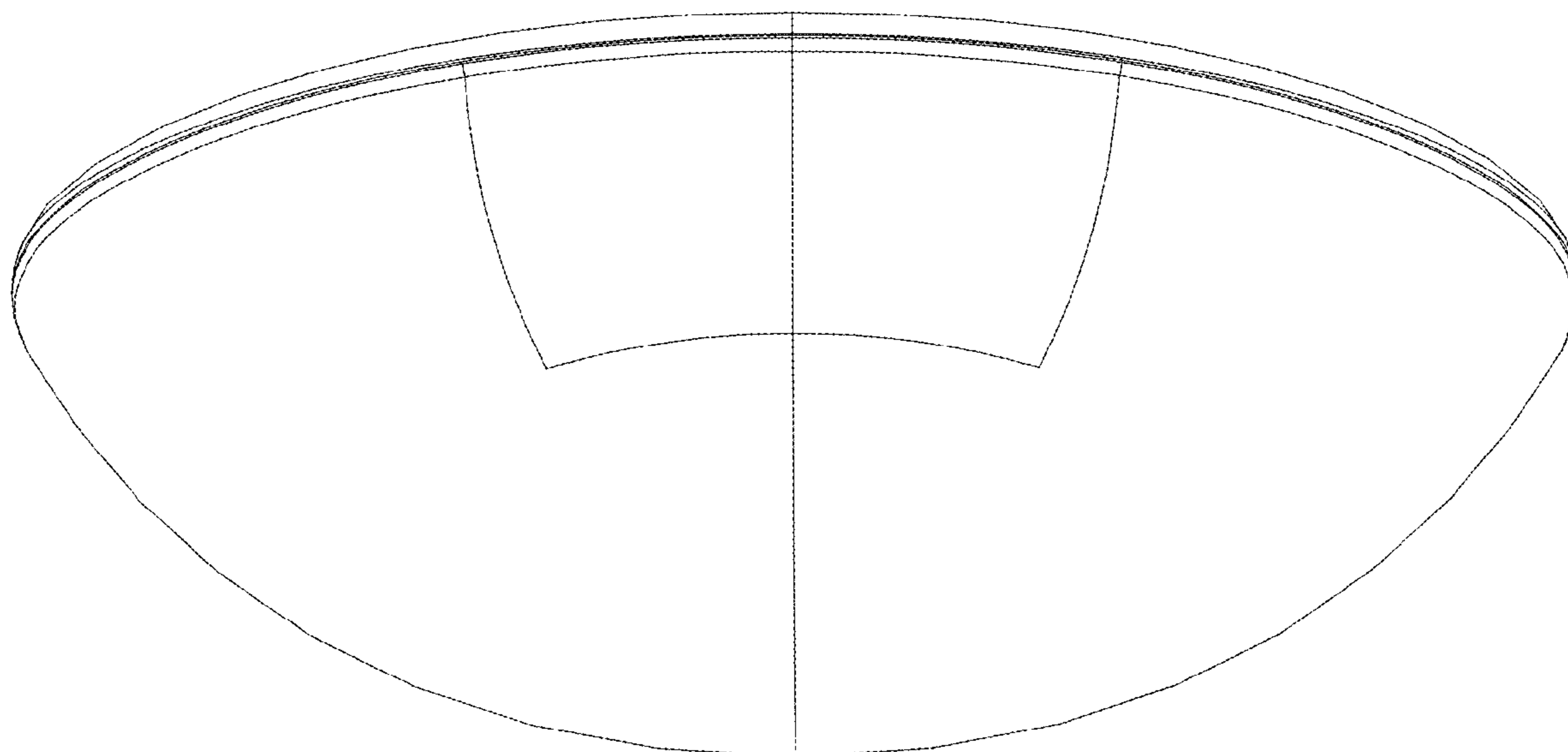


FIG.8

UNITED STATES PATENT AND TRADEMARK OFFICE  
**CERTIFICATE OF CORRECTION**


PATENT NO. : D914,469 S  
APPLICATION NO. : 29/760037  
DATED : March 30, 2021  
INVENTOR(S) : Zhixia Xie

Page 1 of 1

It is certified that error appears in the above-identified patent and that said Letters Patent is hereby corrected as shown below:

On the Title Page

Item [73], delete "Tehnology" and insert --Technology--.

Signed and Sealed this  
Third Day of September, 2024  
  
Katherine Kelly Vidal  
Director of the United States Patent and Trademark Office