



US00D914468S

(12) **United States Design Patent** (10) **Patent No.:** **US D914,468 S**
Xie (45) **Date of Patent:** **** Mar. 30, 2021**

(54) **TURNER**

(71) Applicant: **Zhixia Xie**, Guangdong (CN)

(72) Inventor: **Zhixia Xie**, Guangdong (CN)

(73) Assignee: **Shenzhen Baozhixia Technology Co., Ltd.**, Shenzhen (CN)

(**) Term: **15 Years**

(21) Appl. No.: **29/760,005**

(22) Filed: **Nov. 27, 2020**

(51) **LOC (13) Cl.** **07-04**

(52) **U.S. Cl.**
USPC **D7/688**

(58) **Field of Classification Search**

USPC D7/688-692, 669, 368
CPC A47G 21/045; A47G 21/04; A47G 21/02;
A47G 21/023; A47G 21/026; A47J
43/288; A47J 43/283; A47J 43/281; A47J
43/28; A47J 43/00; A47J 43/282; A47J
43/285; A47F 13/08; A61J 7/0023

See application file for complete search history.

(56) **References Cited**

U.S. PATENT DOCUMENTS

3,906,632 A * 9/1975 Oppenheimer A47J 43/288
30/322
D658,951 S 5/2012 Jossem et al.

D673,012 S 12/2012 Holding et al.
D689,346 S 9/2013 Lion et al.
D706,588 S 6/2014 Hoyord et al.
2003/0122388 A1* 7/2003 Yeung A47J 43/288
294/7

* cited by examiner

Primary Examiner — Terry A Wallace

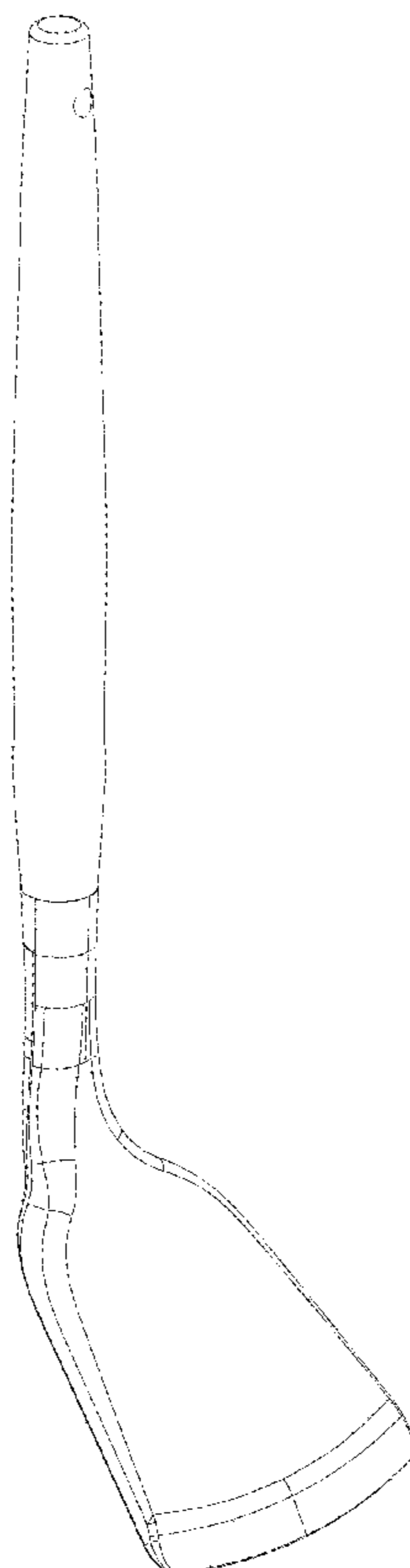
(57) **CLAIM**

The ornamental design for a turner, as shown and described.

DESCRIPTION

FIG. 1 is a front, left side perspective view of a turner showing my new design;
FIG. 2 is a rear, right side perspective view thereof;
FIG. 3 is a front elevation view thereof;
FIG. 4 is a rear elevation view thereof;
FIG. 5 is a left side elevation view thereof;
FIG. 6 is a right side elevation view thereof;
FIG. 7 is a top plan view thereof; and,
FIG. 8 is a bottom plan view thereof.

1 Claim, 5 Drawing Sheets



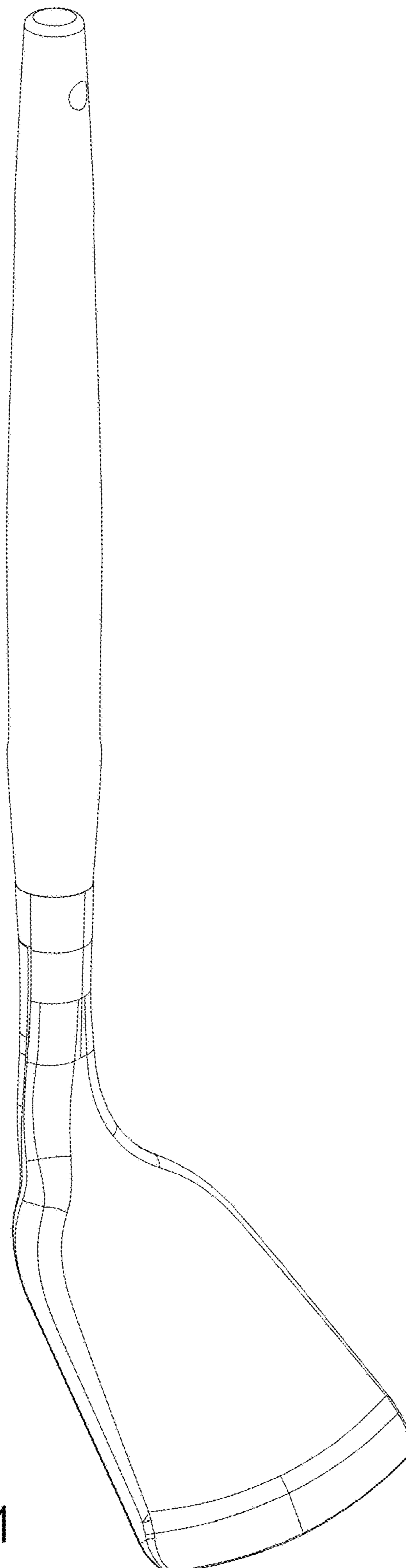


FIG. 1

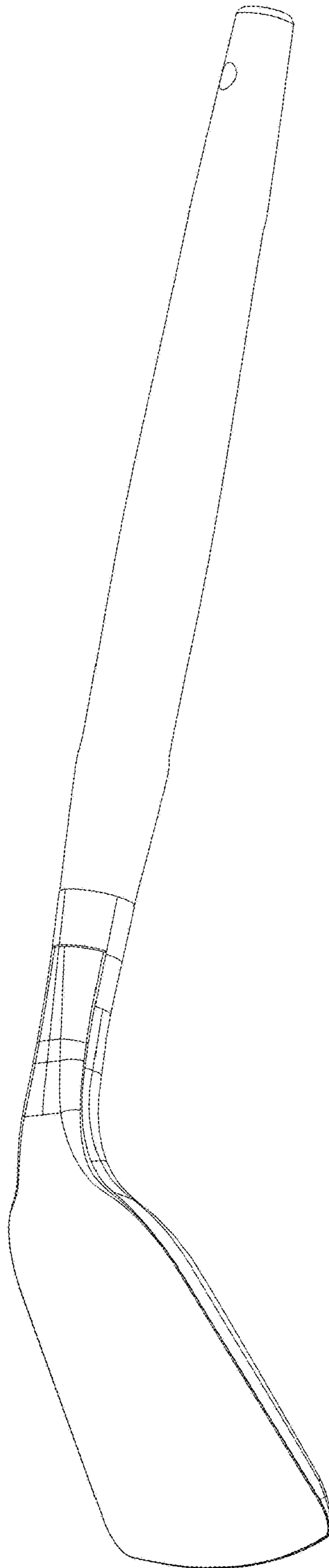
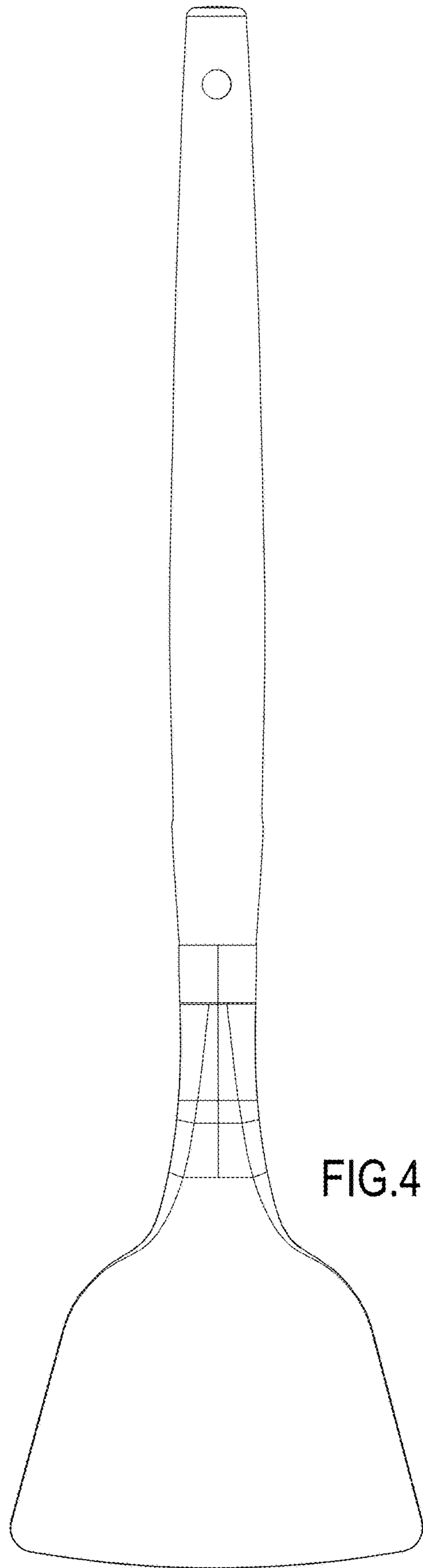
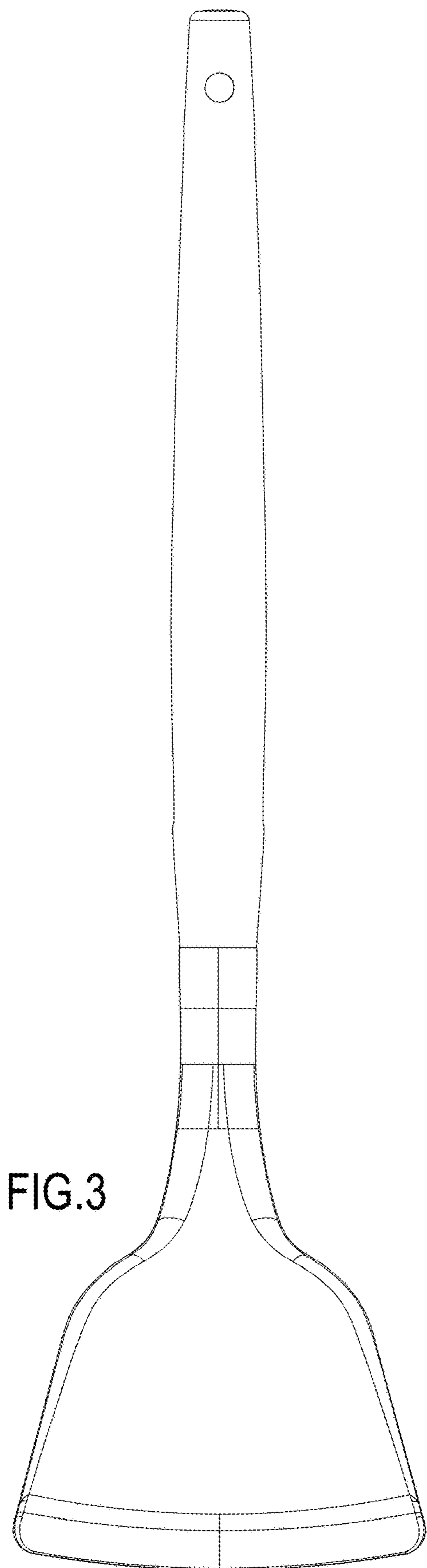


FIG.2



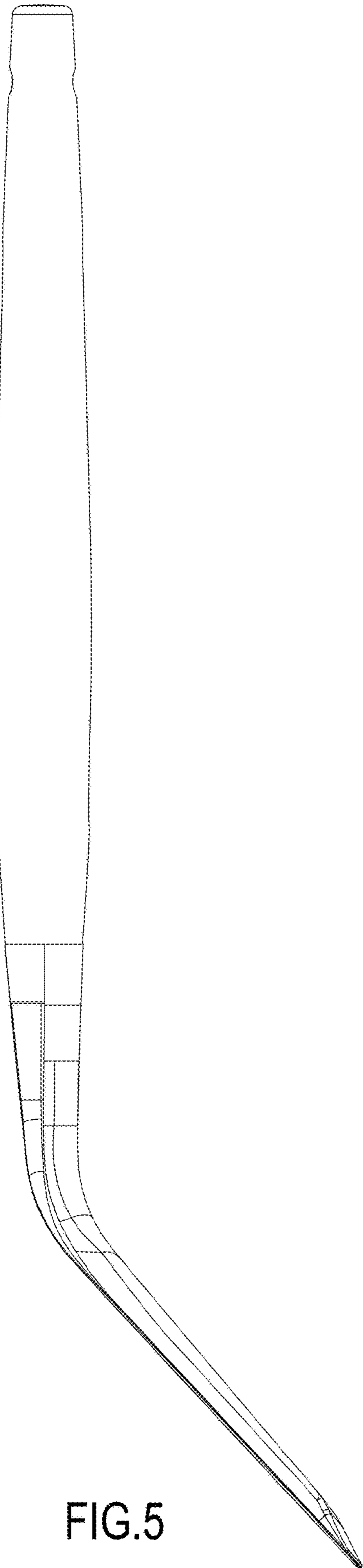


FIG. 5

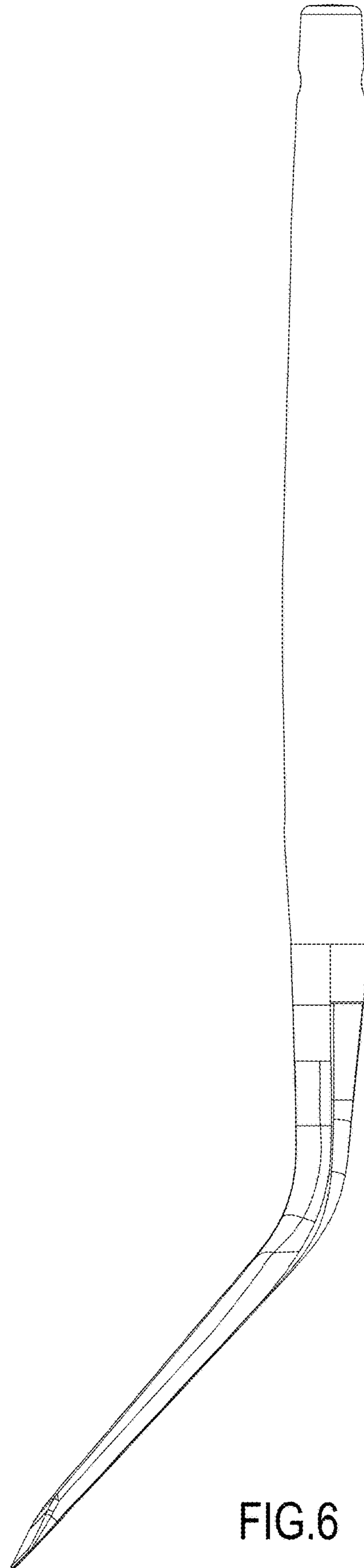


FIG. 6

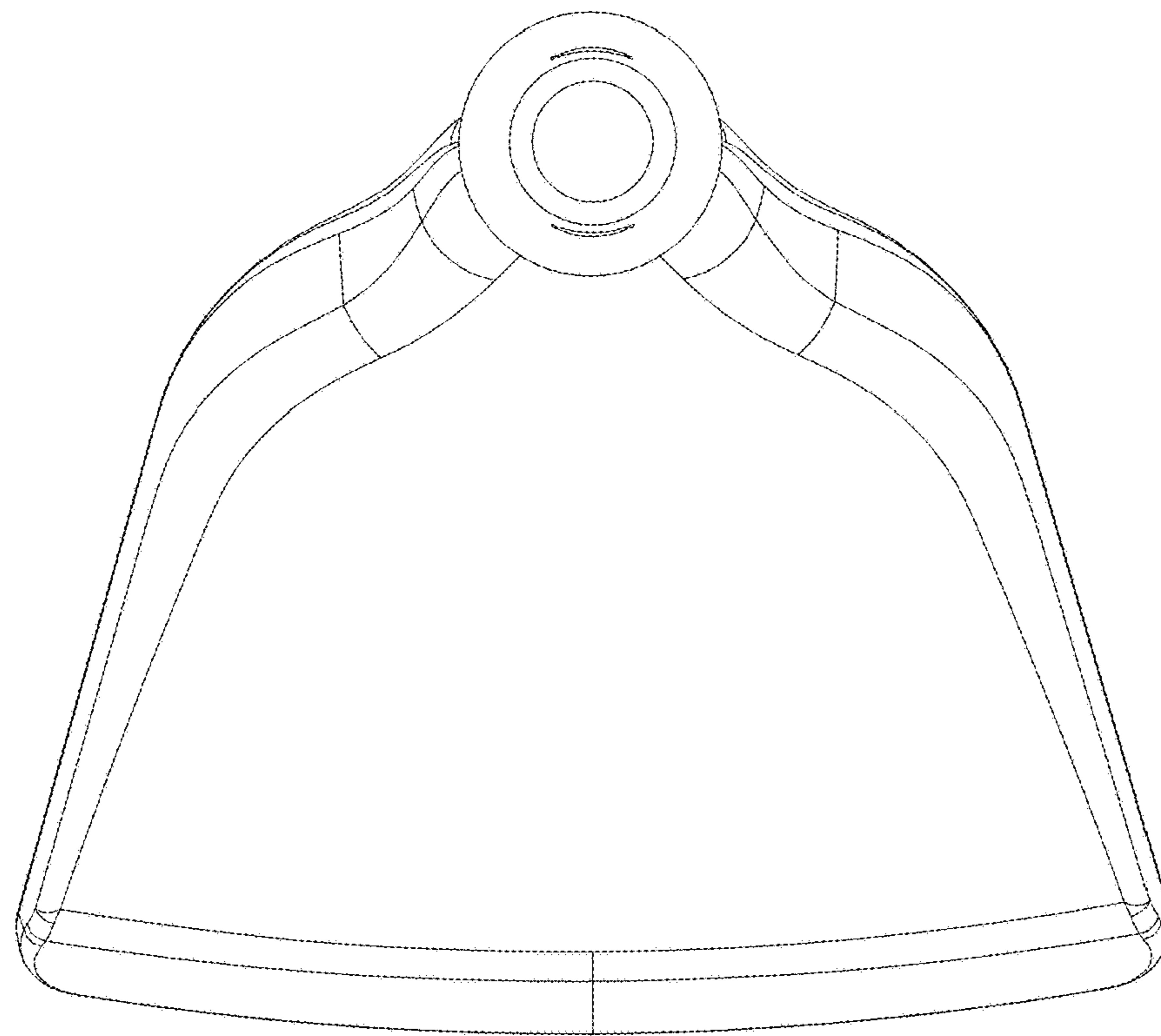


FIG. 7

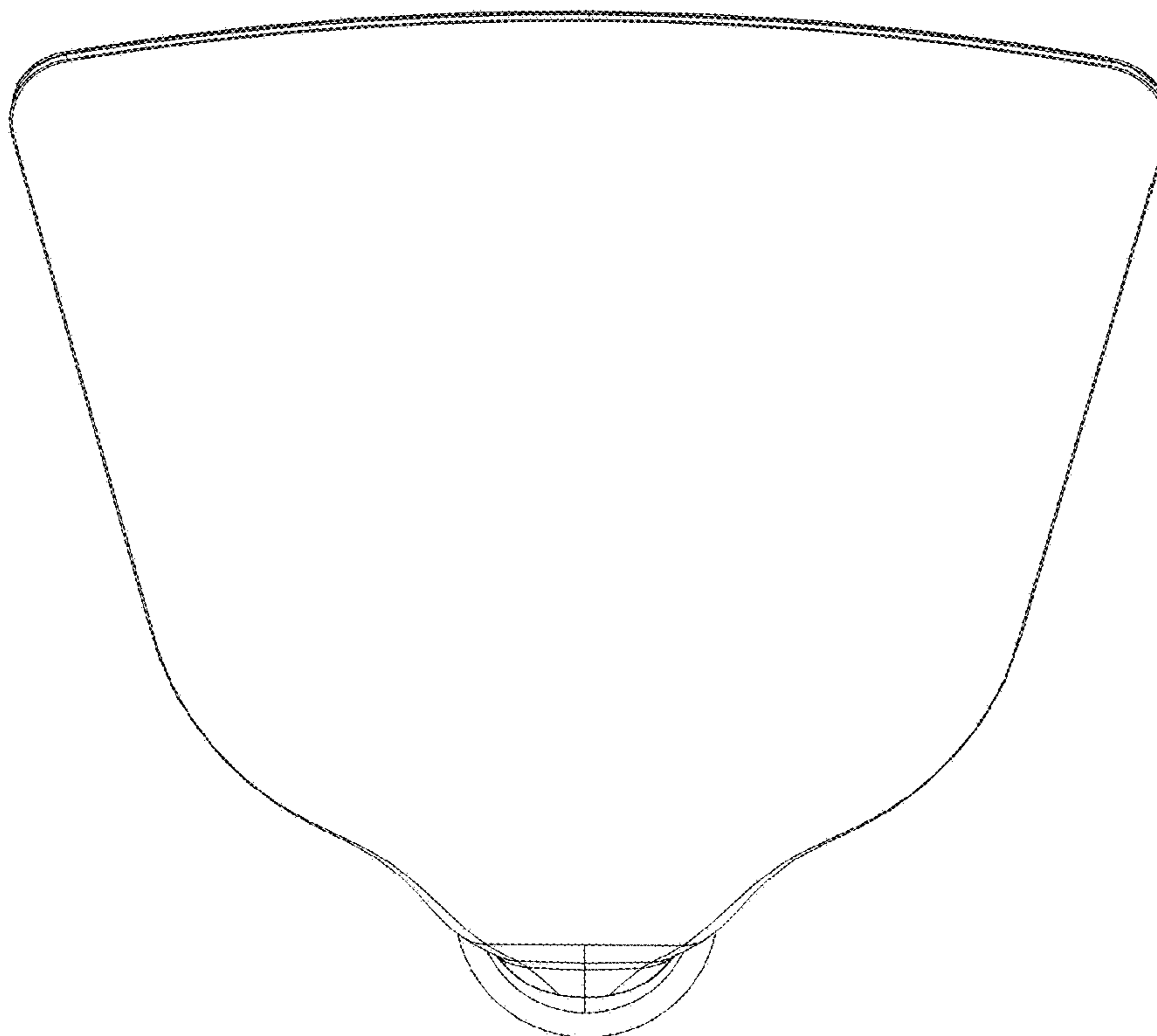


FIG. 8