



US00D914467S

(12) **United States Design Patent**
Xie

(10) **Patent No.:** **US D914,467 S**

(45) **Date of Patent:** **** Mar. 30, 2021**

- (54) **TURNER**
- (71) Applicant: **Zhixia Xie**, Guangdong (CN)
- (72) Inventor: **Zhixia Xie**, Guangdong (CN)
- (73) Assignee: **Shenzhen Baozhixia Technology Co., Ltd.**, Shenzhen (CN)
- (**) Term: **15 Years**
- (21) Appl. No.: **29/760,004**
- (22) Filed: **Nov. 27, 2020**
- (51) **LOC (13) Cl.** **07-04**
- (52) **U.S. Cl.**
USPC **D7/688**
- (58) **Field of Classification Search**
USPC D7/688-692, 669, 368
CPC A21B 3/003; A47G 21/045; A47G 21/04;
A47G 21/02; A47G 21/023; A47G
21/026; A47J 43/288; A47J 43/283; A47J
43/281; A47J 43/28; A47J 43/00; A47J
43/282; A47J 43/285; A47F 13/08; A61J
7/0023
See application file for complete search history.

- 3,906,632 A * 9/1975 Oppenheimer A47J 43/288
30/322
- 6,193,289 B1 * 2/2001 Brown A47J 43/283
294/8
- 6,266,885 B1 * 7/2001 Stein A47J 37/0786
30/160
- D527,959 S * 9/2006 Fung D7/690
- D658,951 S 5/2012 Jossem et al.
- D673,012 S 12/2012 Holding et al.
- D689,346 S 9/2013 Lion et al.
- D706,588 S 6/2014 Hoyord et al.
- 2003/0122388 A1 * 7/2003 Yeung A47J 43/288
294/7

* cited by examiner

Primary Examiner — Terry A Wallace

(57) **CLAIM**

The ornamental design for a turner, as shown and described.

DESCRIPTION

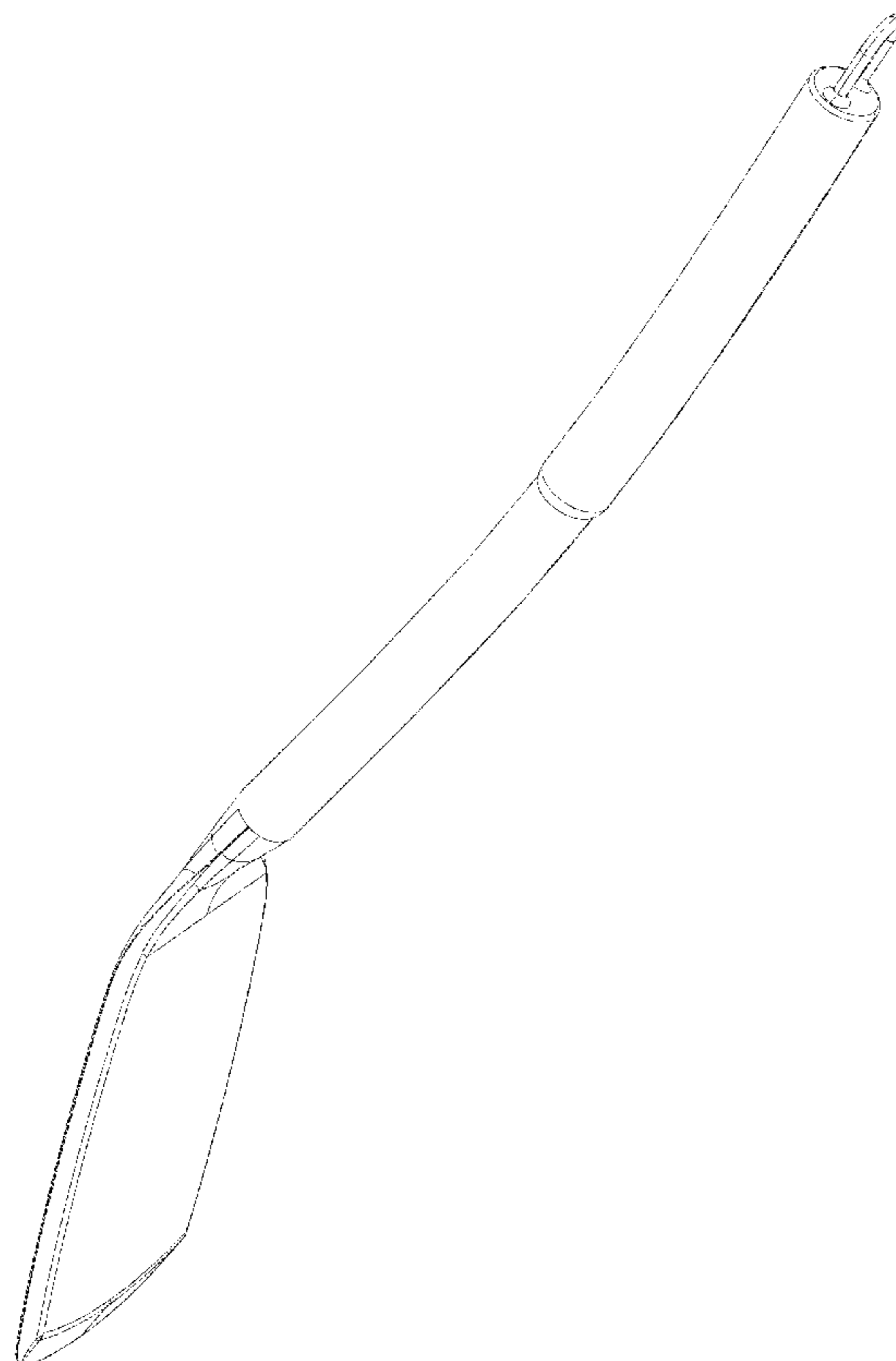
FIG. 1 is a front, left side perspective view of a turner showing my new design;
 FIG. 2 is a rear, right side perspective view thereof;
 FIG. 3 is a front elevation view thereof;
 FIG. 4 is a rear elevation view thereof;
 FIG. 5 is a left side elevation view thereof;
 FIG. 6 is a right side elevation view thereof;
 FIG. 7 is a top plan view thereof; and,
 FIG. 8 is a bottom plan view thereof.

1 Claim, 5 Drawing Sheets

(56) **References Cited**

U.S. PATENT DOCUMENTS

- 2,432,299 A * 12/1947 Eggleston B21D 53/62
219/93
- 3,753,587 A * 8/1973 Godlewski A47J 43/288
294/7



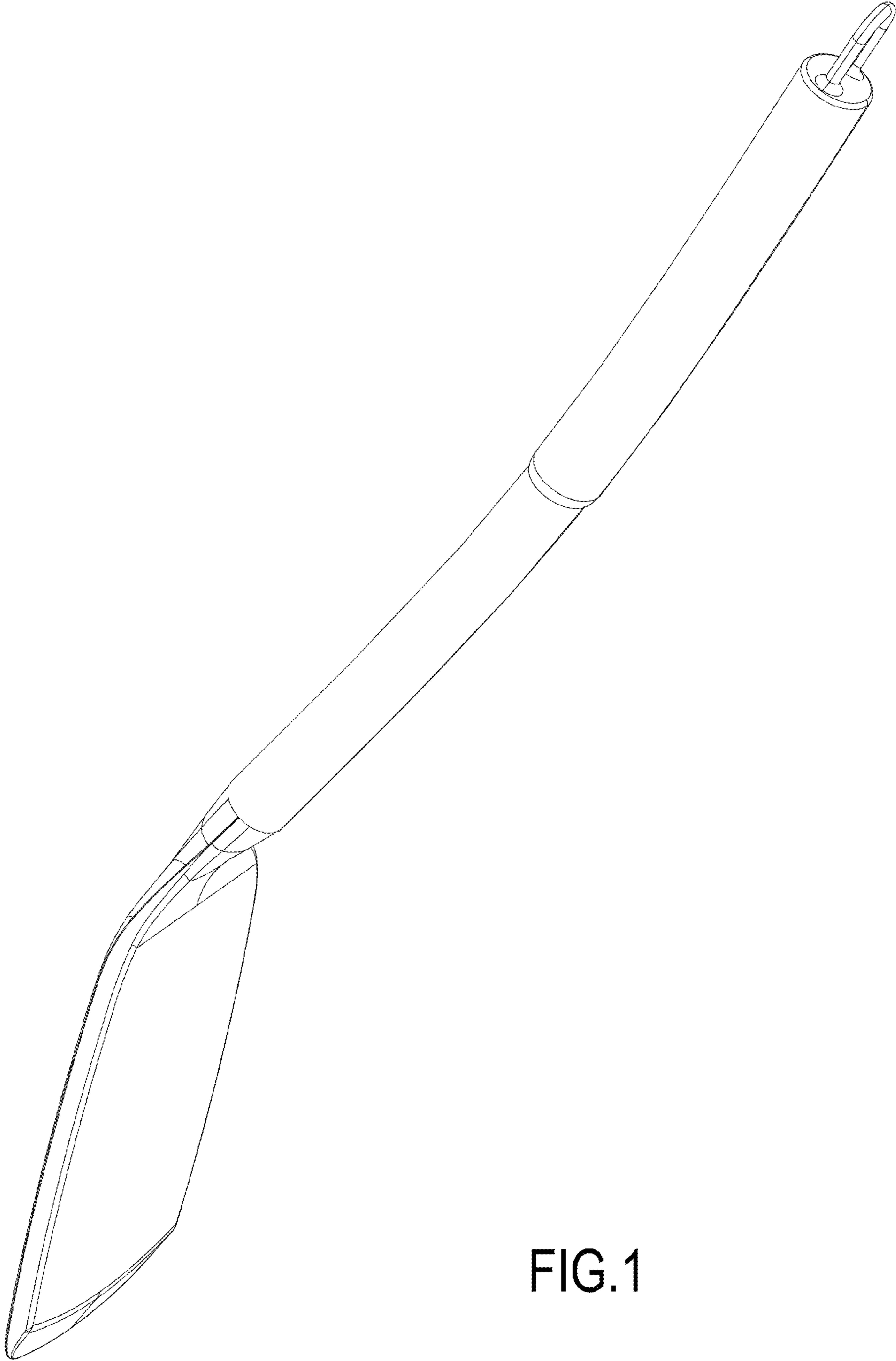


FIG.1

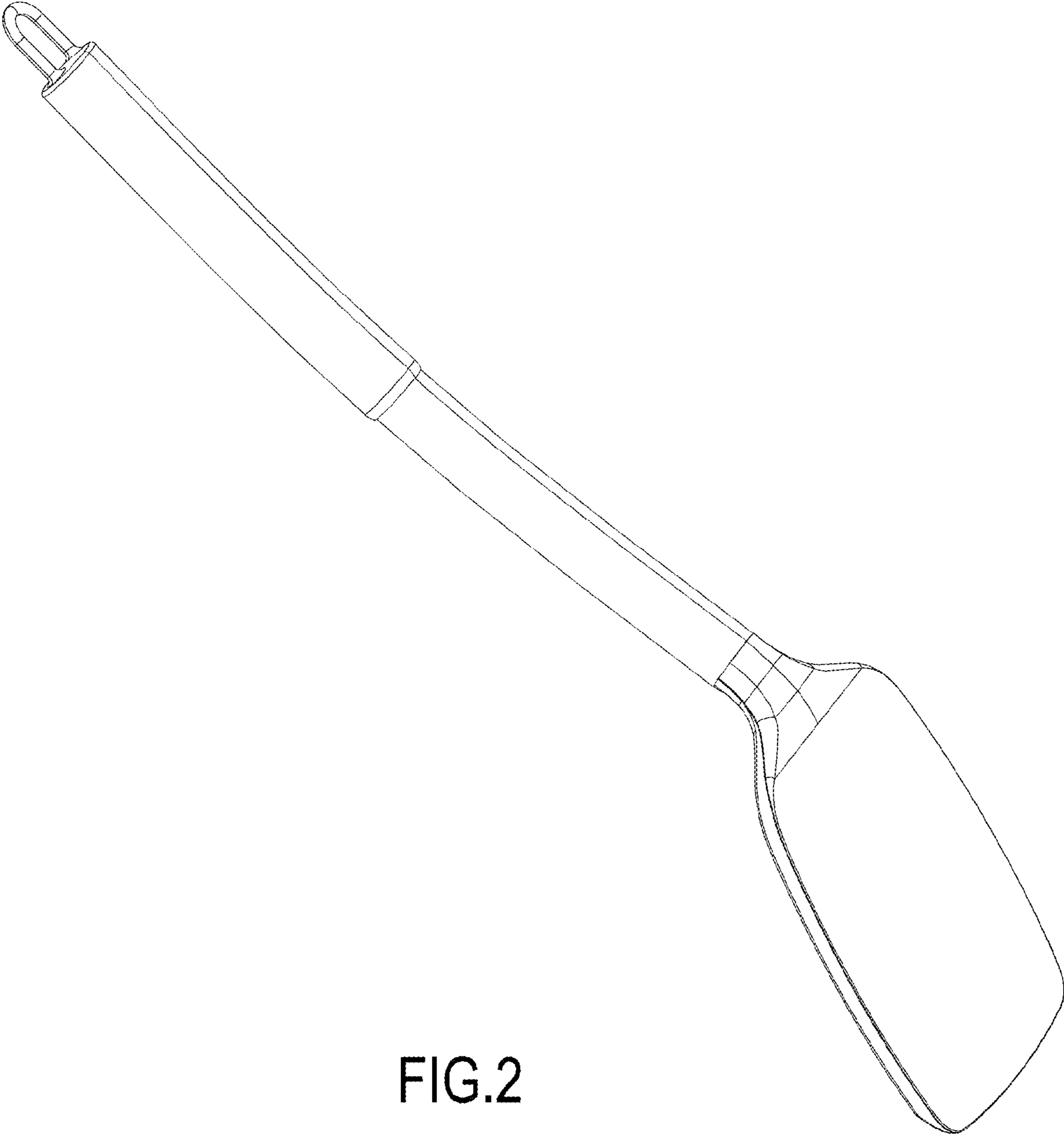


FIG.2

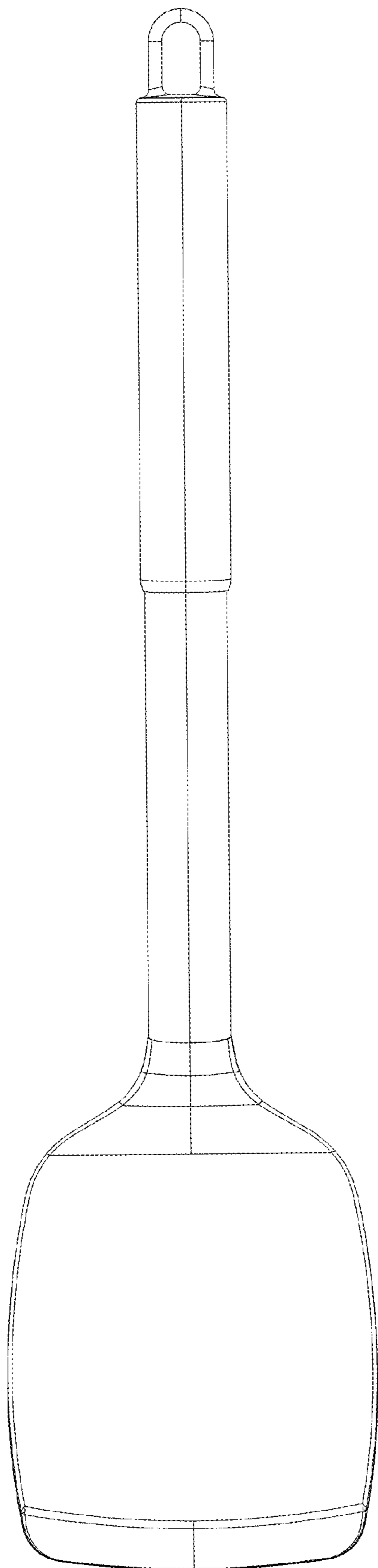


FIG.3

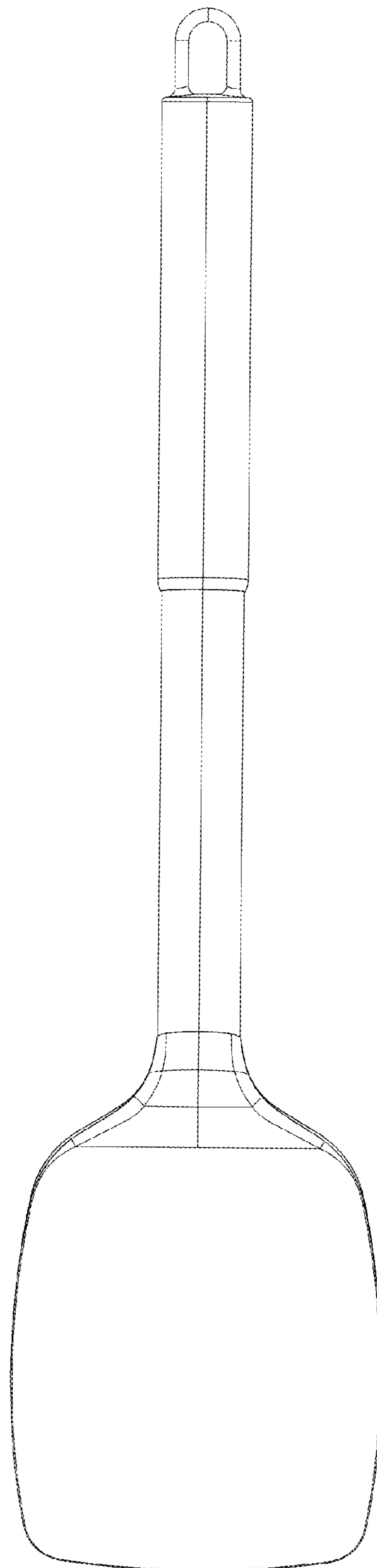
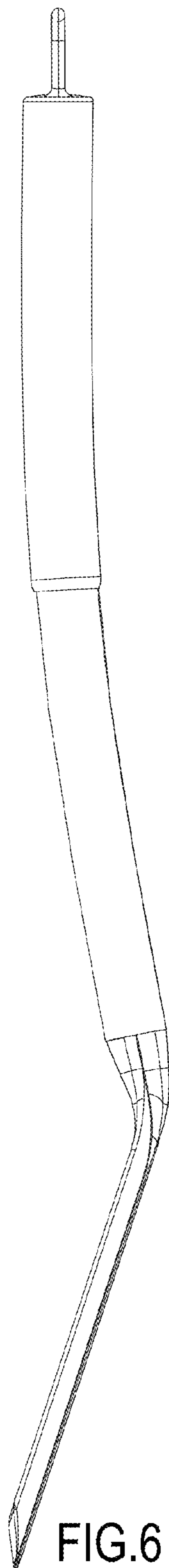
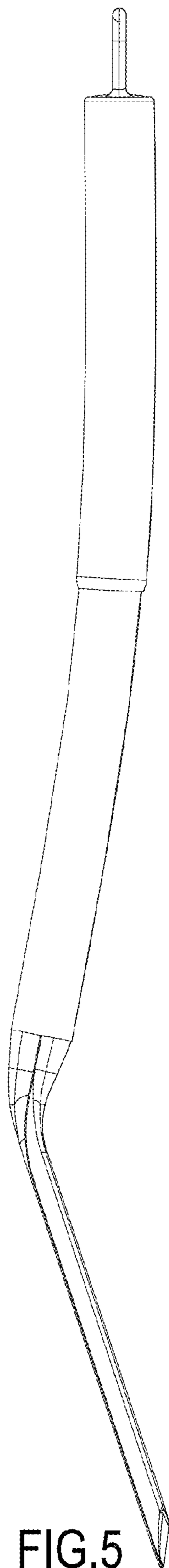


FIG.4



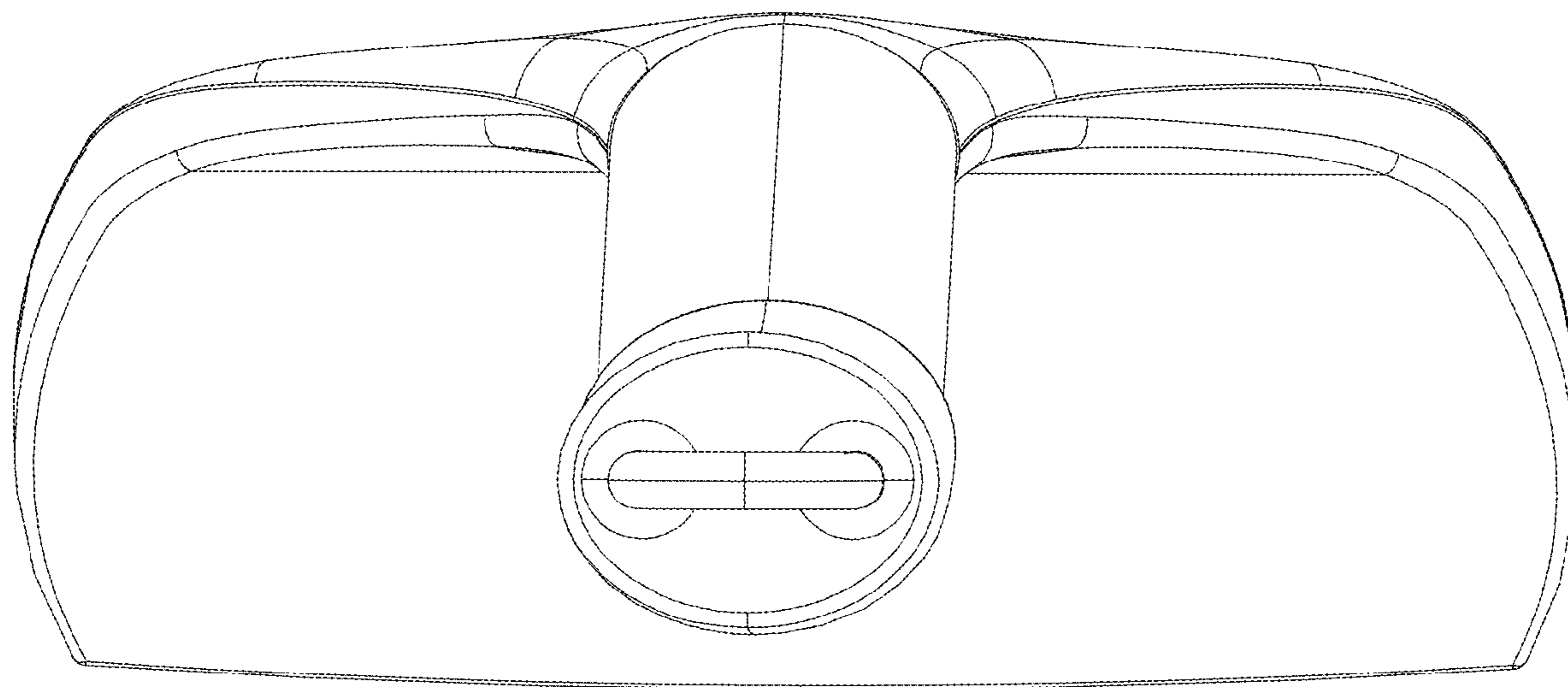


FIG.7

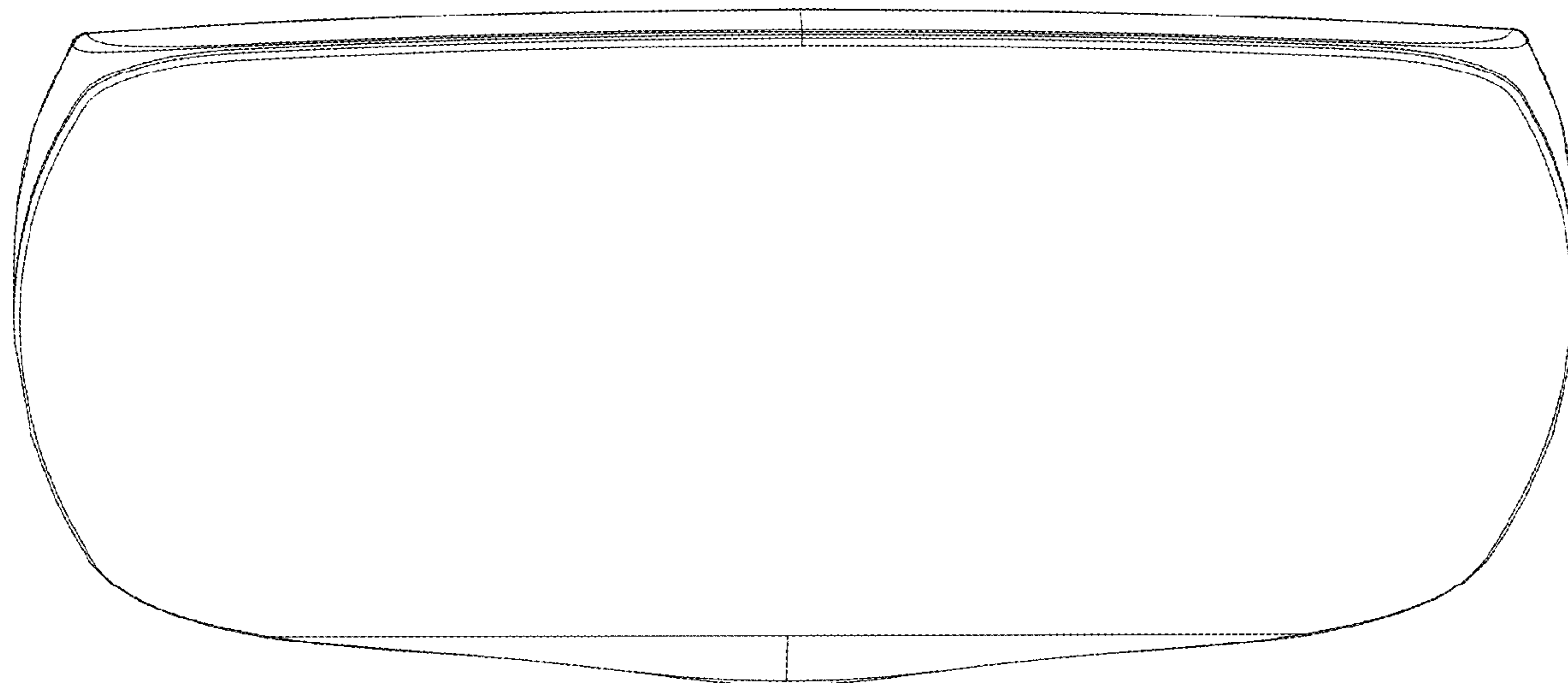


FIG.8