



US00D914466S

(12) **United States Design Patent** (10) **Patent No.:** **US D914,466 S**
Bao (45) **Date of Patent:** **** Mar. 30, 2021**

(54) **SCREW JUICER**
(71) Applicant: **Dongxiao Bao**, Ningbo (CN)
(72) Inventor: **Dongxiao Bao**, Ningbo (CN)
(73) Assignee: **NINGBO KEPO ELECTRONICS CO., LTD.**, Ningbo (CN)

Primary Examiner — Terry A Wallace
(74) *Attorney, Agent, or Firm* — Jiwen Chen; Jacobson Holman PLLC

(**) Term: **15 Years**

(57) **CLAIM**

The ornamental design for a screw juicer, as shown and described.

(21) Appl. No.: **29/706,195**

(22) Filed: **Sep. 18, 2019**

DESCRIPTION

(51) **LOC (13) Cl.** **31-00**

(52) **U.S. Cl.**
USPC **D7/665**

(58) **Field of Classification Search**
USPC D7/665, 378, 370, 384, 386, 412
CPC A47J 19/023; A47J 19/02; A47J 19/027;
A47J 19/06; A47J 19/00; A47J 19/025;
A47J 43/00; A47J 43/042; A47J 43/07;
A47J 2043/04454; A23N 1/02; A23N
1/003; A23N 1/00; A23N 1/006
See application file for complete search history.

FIG. 1 is a perspective view of the screw juicer showing the design;
FIG. 2 is a front elevational view thereof;
FIG. 3 is a rear elevational view thereof;
FIG. 4 is a top plan view thereof;
FIG. 5 is a bottom plan view thereof;
FIG. 6 is a left side view thereof;
FIG. 7 is a right side view thereof; and,
FIG. 8 is a perspective view of the screw juicer after a certain part is rotated.

(56) **References Cited**

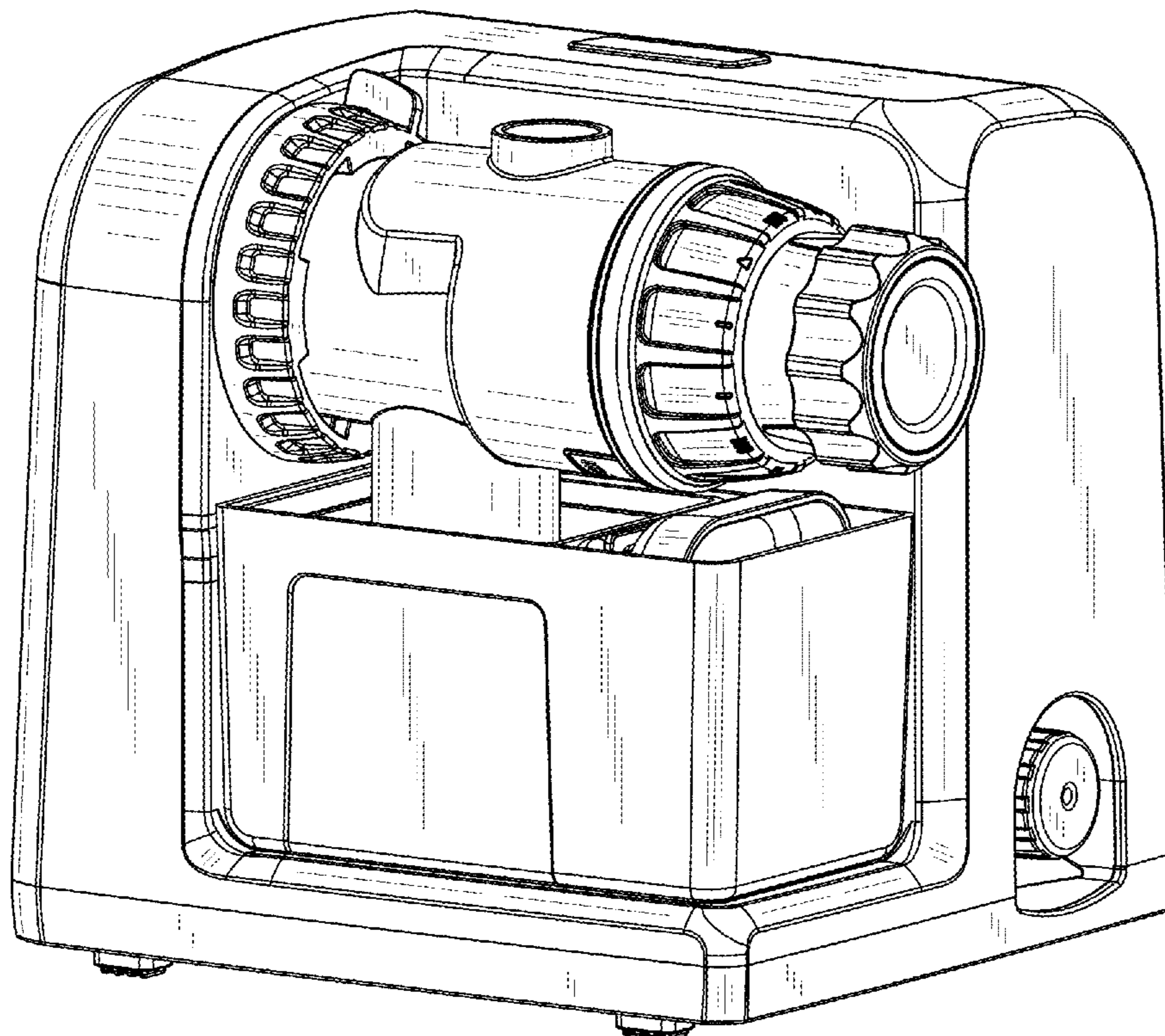
U.S. PATENT DOCUMENTS

D526,539 S * 8/2006 Yip D7/665
D725,439 S * 3/2015 Kim D7/665
D765,476 S * 9/2016 Fields D7/665

The broken lines are for the purpose of illustrative purposes, showing the environment in which the design is used, and forms no part of the design.

* cited by examiner

1 Claim, 8 Drawing Sheets



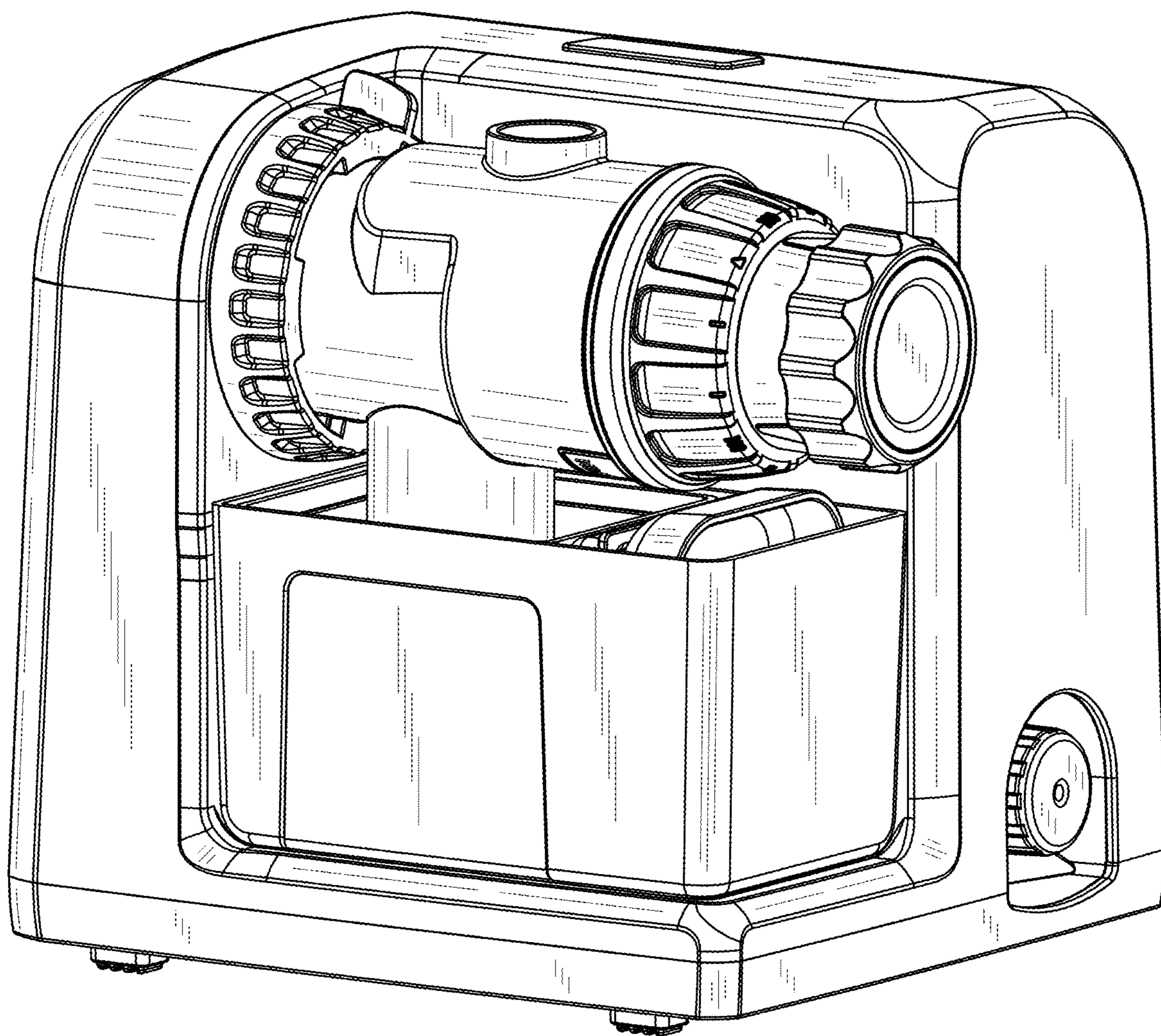


FIG. 1

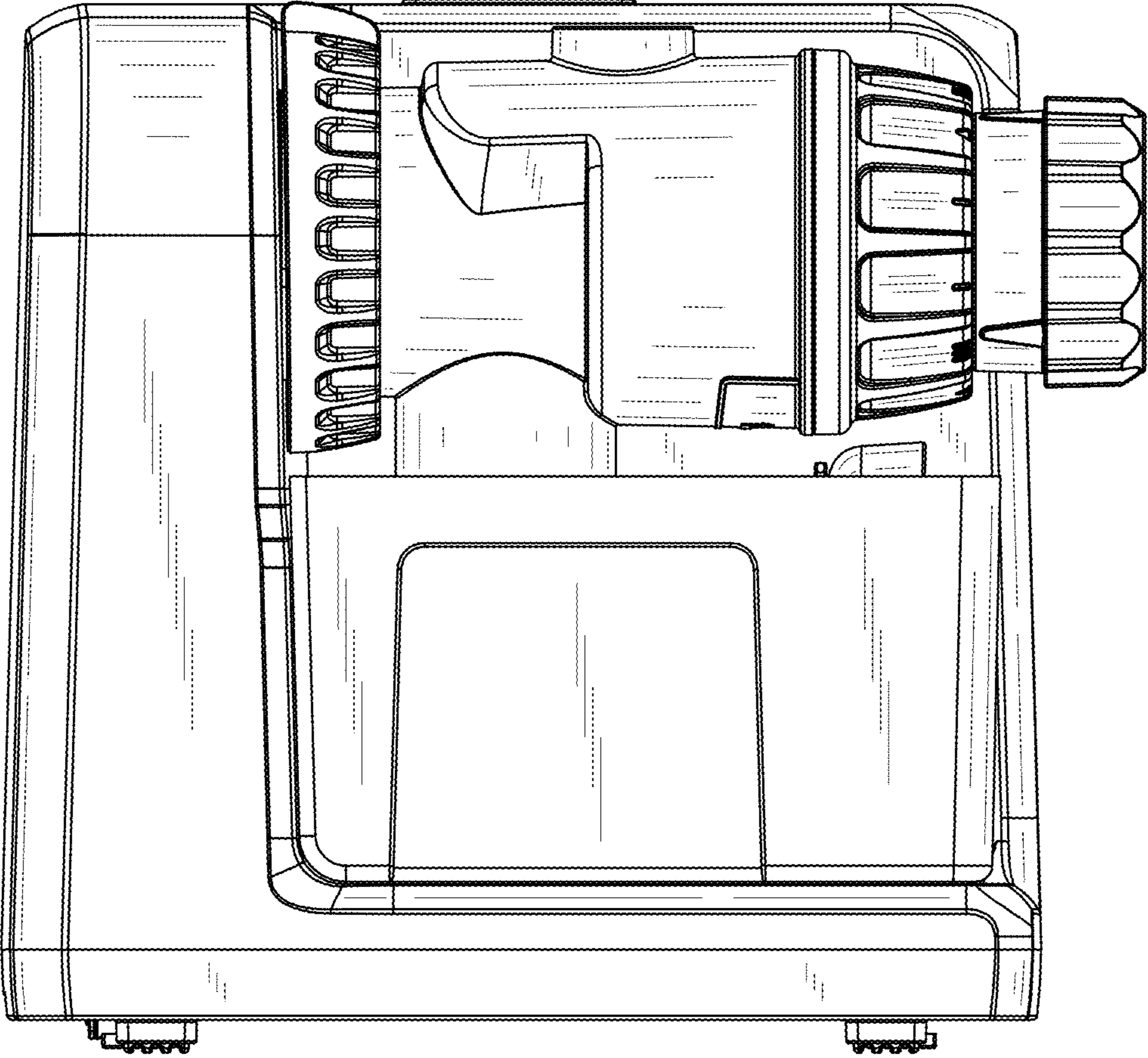


FIG. 2

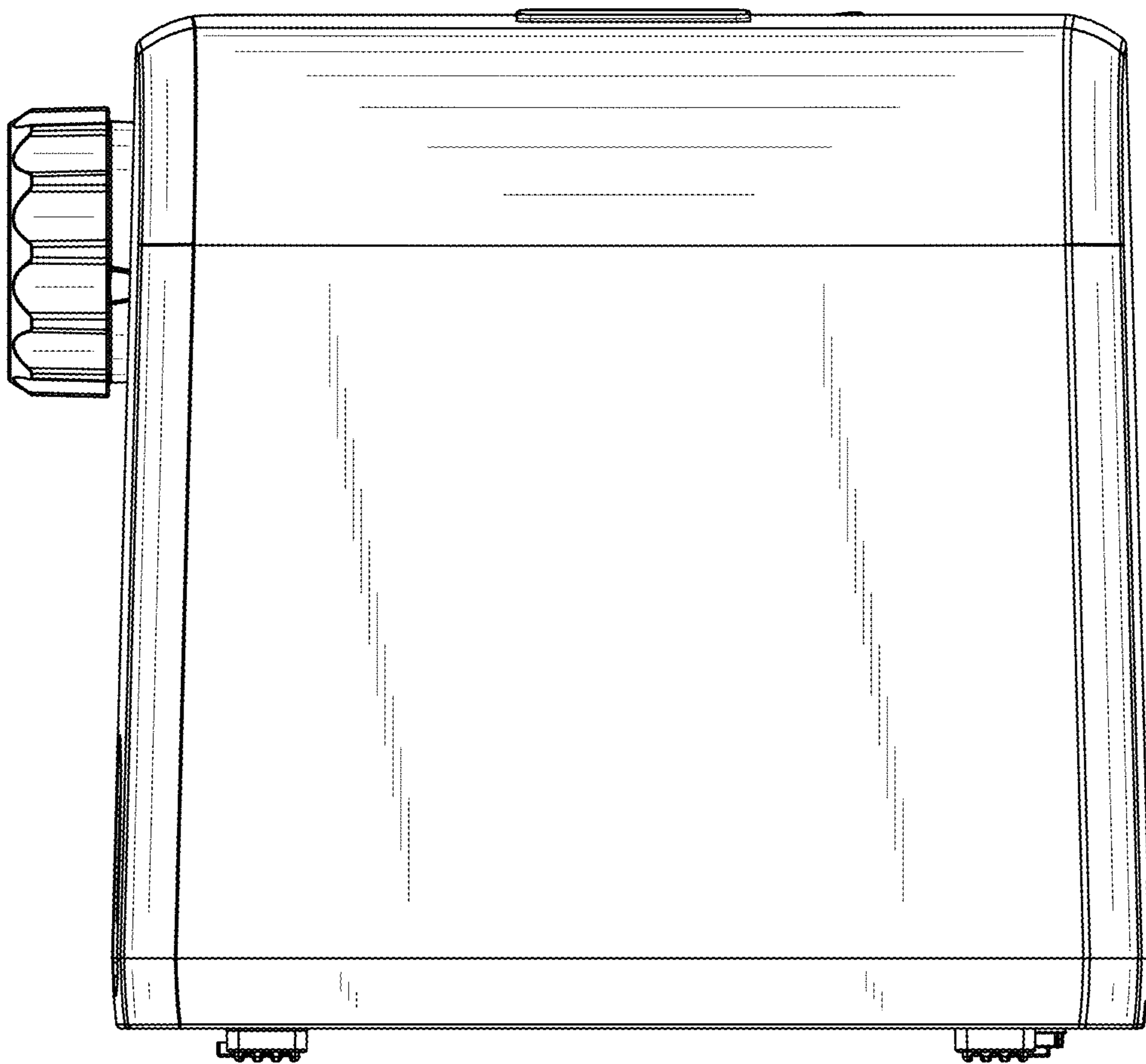


FIG. 3

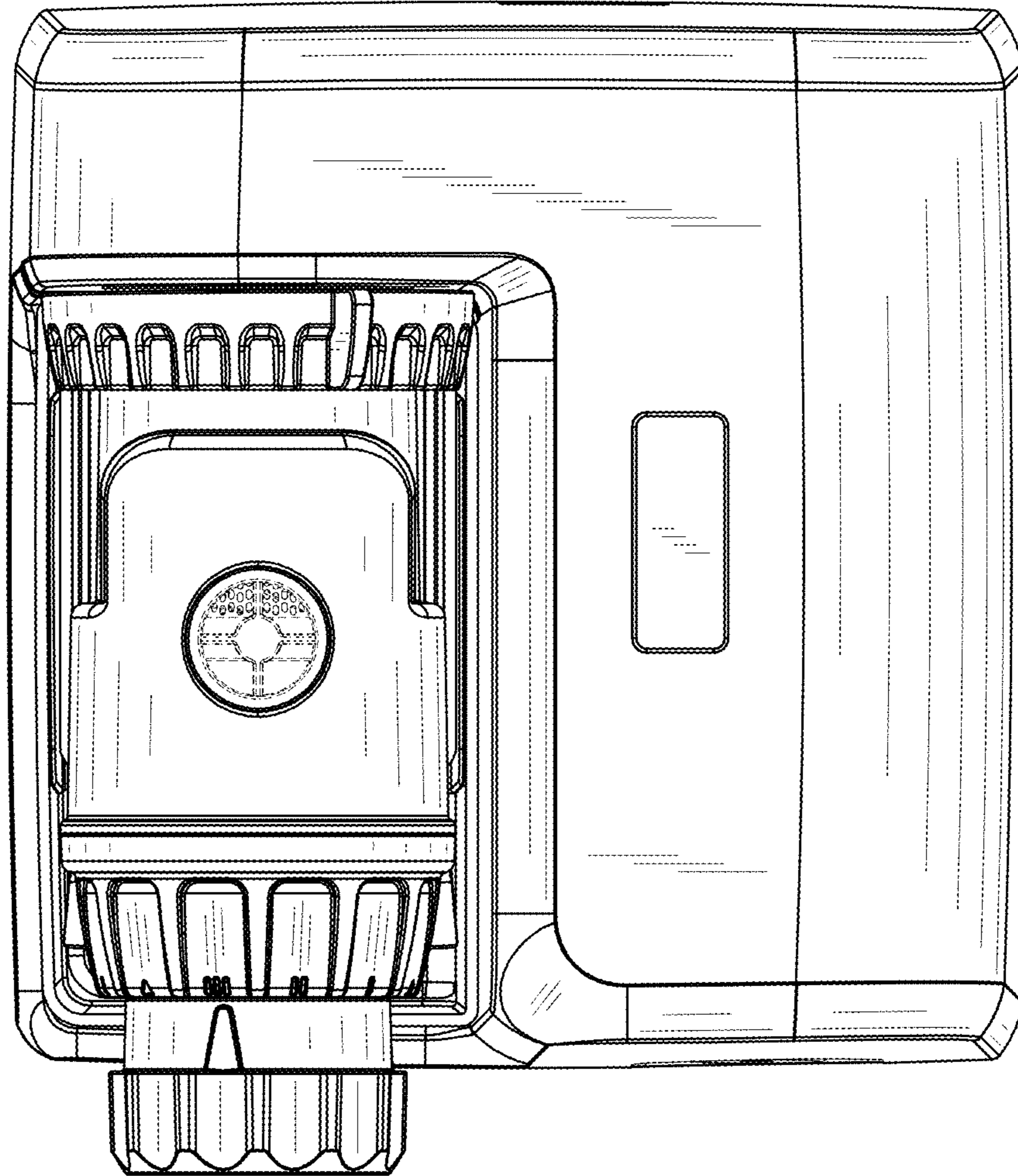


FIG. 4

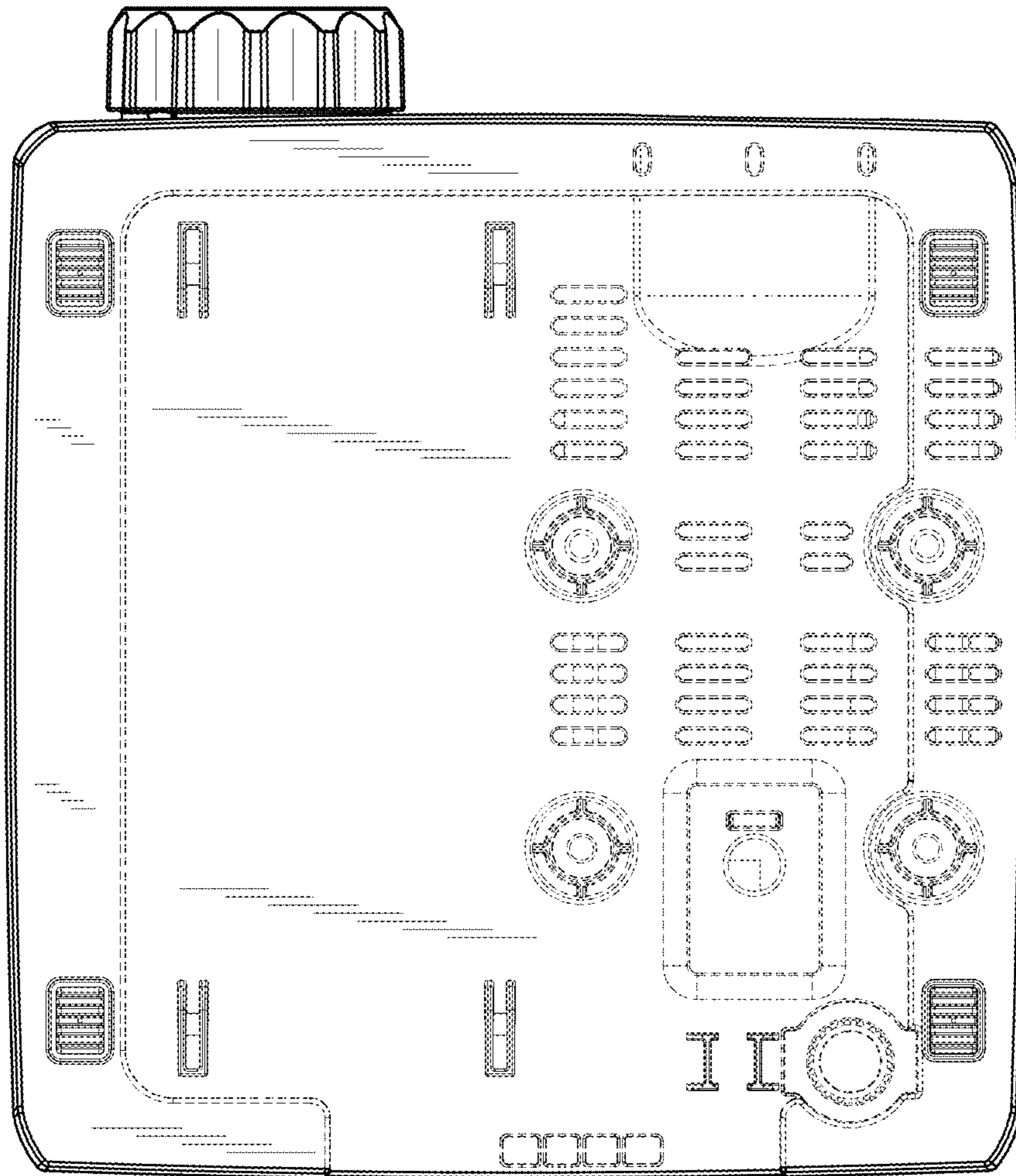


FIG. 5

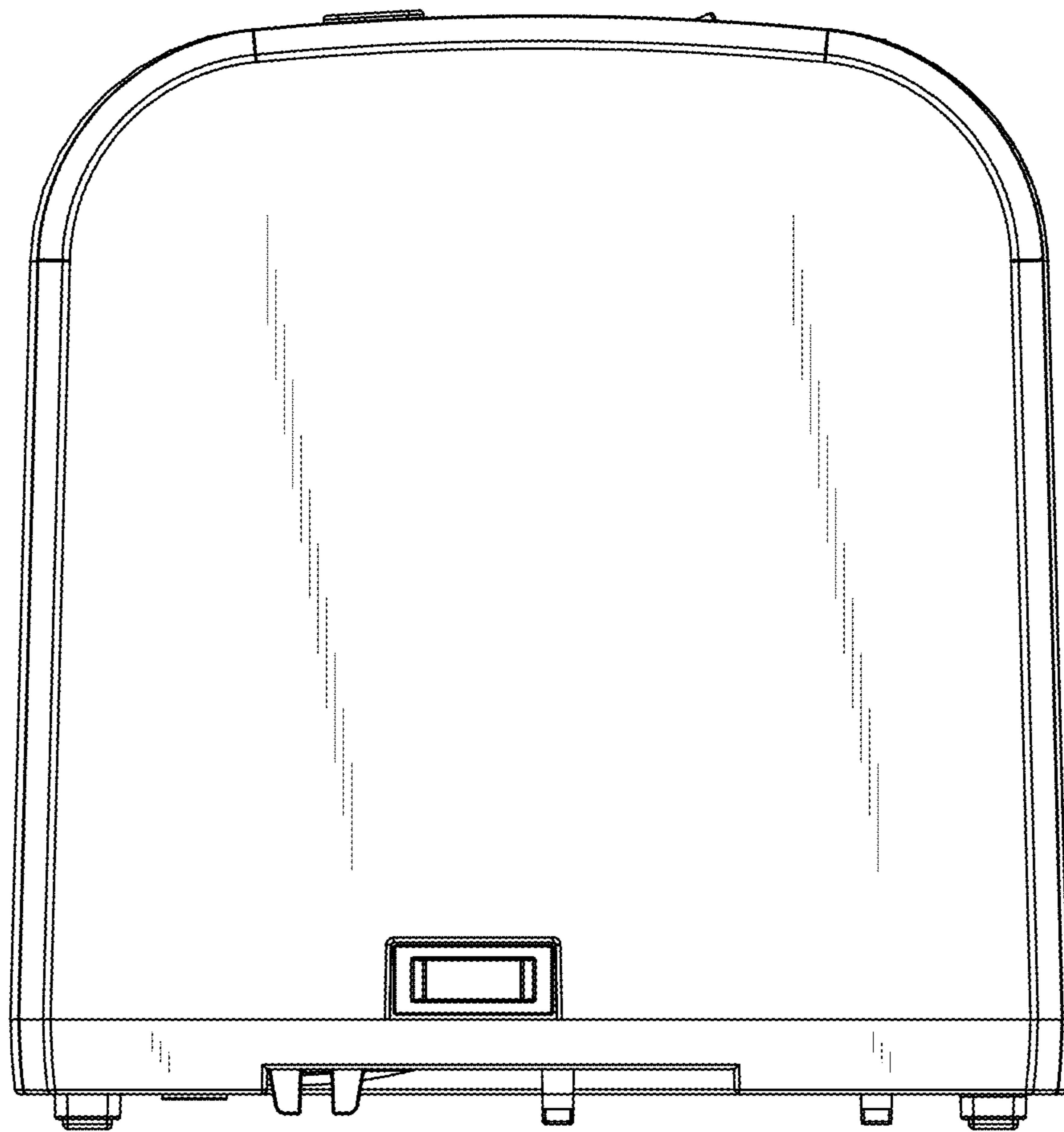


FIG. 6

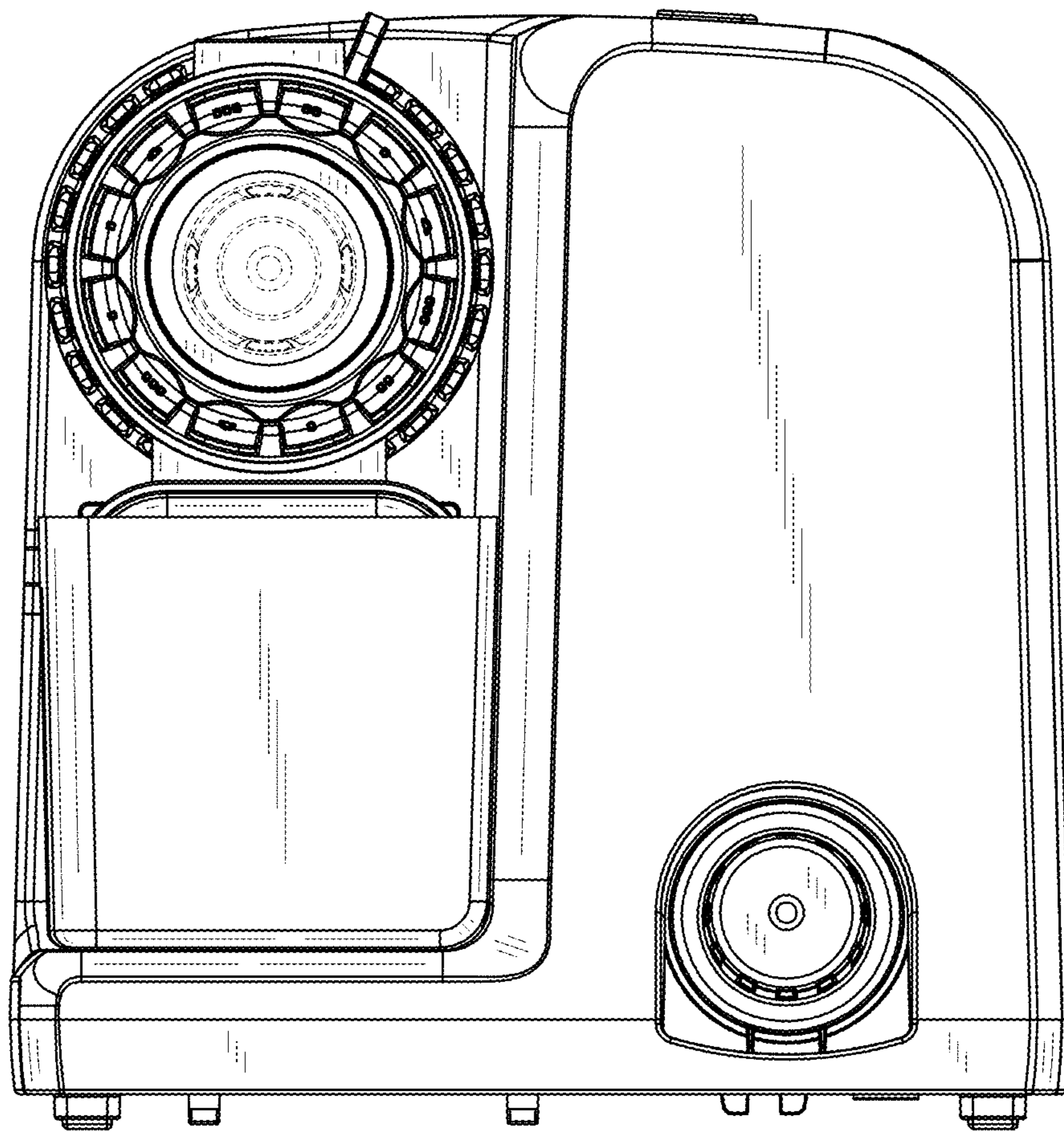


FIG. 7

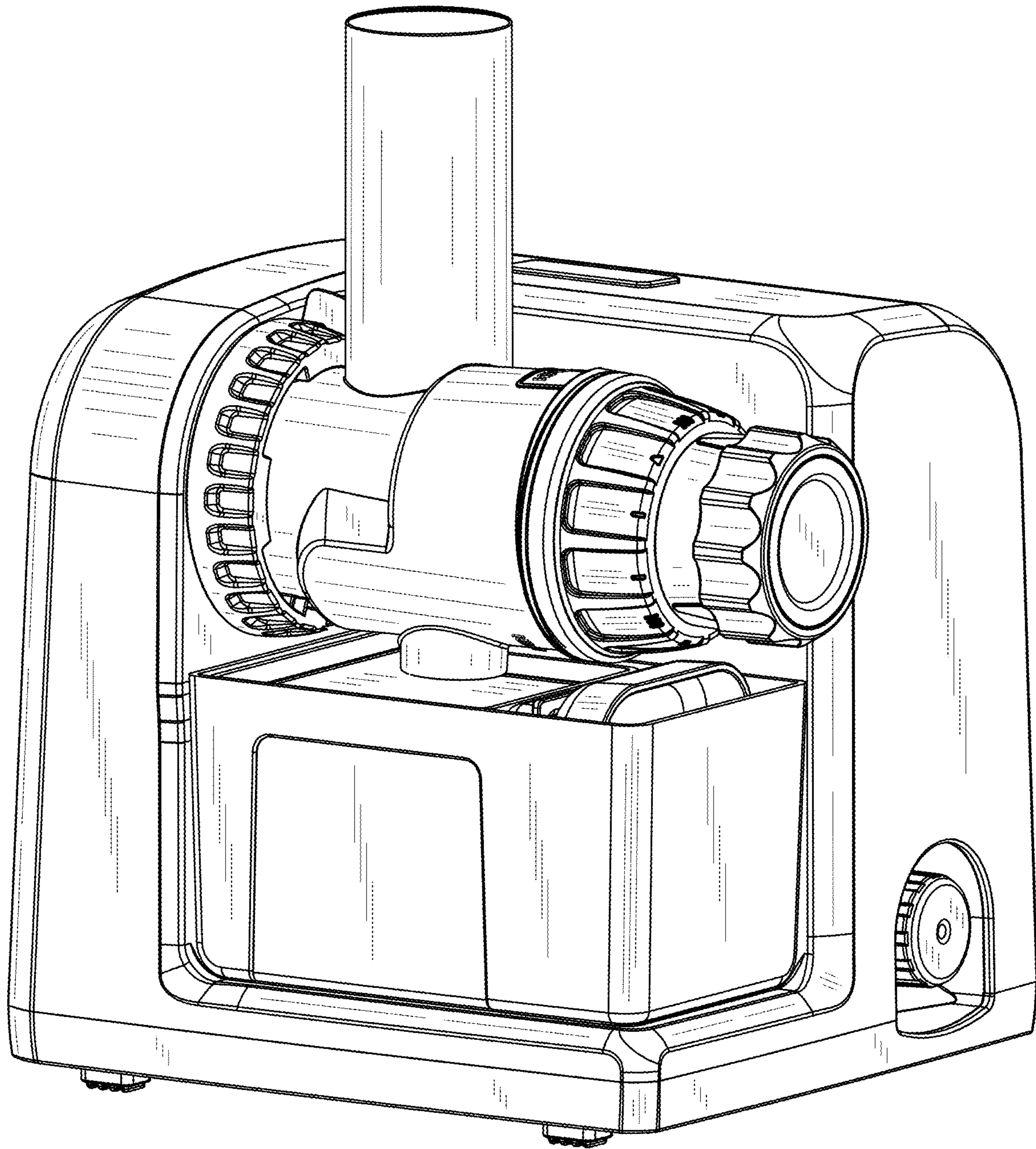


FIG. 8