



US00D914465S

(12) **United States Design Patent** (10) **Patent No.:** **US D914,465 S**
Wettlaufer et al. (45) **Date of Patent:** **** Mar. 30, 2021**

(54) **JUICING DEVICE**
(71) Applicant: **Goodnature Products, Inc.**, Orchard Park, NY (US)
(72) Inventors: **Eric Wettlaufer**, Buffalo, NY (US); **Christopher Flechtner**, Kyoto (JP)

2,068,013 A 1/1937 Fridlender et al.
2,087,435 A 7/1937 Hubbert
2,416,043 A 2/1947 Bucher-Guyer
2,612,100 A 9/1952 Bates
3,032,087 A 5/1962 Rodwick
(Continued)

FOREIGN PATENT DOCUMENTS

(73) Assignee: **Goodnature Products, Inc.**, Orchard Park, NY (US)

CH 359346 12/1961
CN 201115592 9/2008

(Continued)

(**) Term: **15 Years**

OTHER PUBLICATIONS

(21) Appl. No.: **29/705,513**

Norwalk. 2014. Model 280 Features. Retrieved on Oct. 9, 2015 from <http://www.norwalkjuicers.com/features/>.

(22) Filed: **Sep. 12, 2019**

(Continued)

(51) **LOC (13) Cl.** **31-00**

(52) **U.S. Cl.**

USPC **D7/665**

(58) **Field of Classification Search**

USPC D7/368, 665, 669, 323

CPC .. A23N 1/00; A23N 1/02; B30B 9/045; B30B

9/06; B30B 9/262; A47J 19/06; A47J

19/27; A47J 19/02; A47J 19/025

See application file for complete search history.

Primary Examiner — Terry A Wallace

(74) *Attorney, Agent, or Firm* — Knobbe, Martens, Olson & Bear LLP

(57)

CLAIM

The ornamental design for a juicing device, as shown and described.

(56) **References Cited**

DESCRIPTION

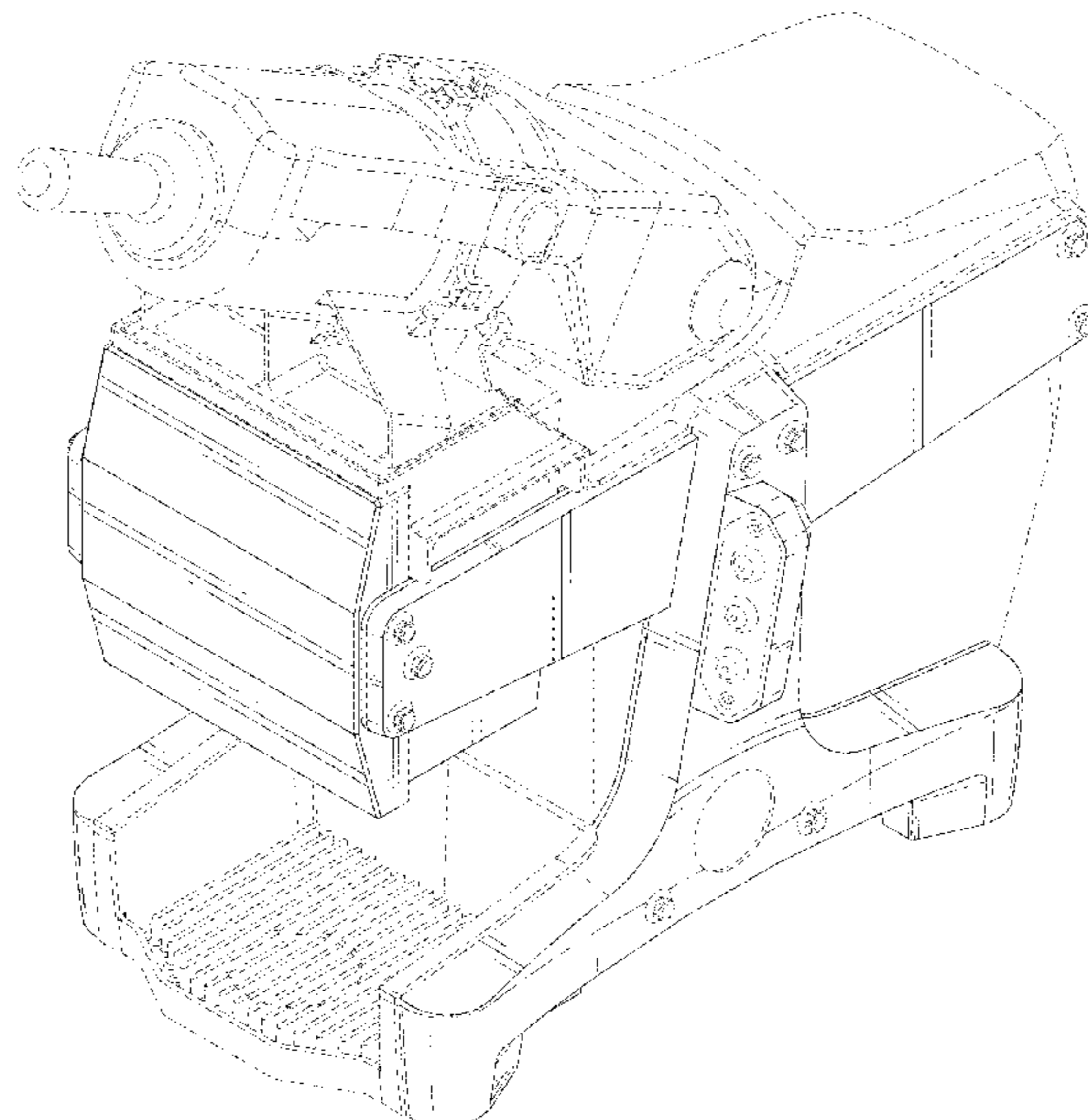
U.S. PATENT DOCUMENTS

18,895 A	12/1857	Eiberweiser
194,457 A	8/1877	Newsam
241,348 A	5/1881	Gilbert
250,979 A	12/1881	Russell
260,542 A	7/1882	Dannecker
630,669 A	8/1899	Green
729,807 A	6/1903	Stoveken et al.
929,717 A	8/1909	Self
982,516 A	1/1911	Marks
1,130,701 A	3/1915	Berrigan
1,131,032 A	3/1915	Berrigan
1,456,257 A	5/1923	Stevenson
1,841,413 A	1/1932	Macchia
2,022,679 A	12/1935	Leo

FIG. 1 is a top, front, left-side perspective view of a juicing device embodying our design;
FIG. 2 is a bottom, rear, right-side perspective view thereof;
FIG. 3 is a front view thereof;
FIG. 4 is a rear view thereof;
FIG. 5 is a right-side view thereof;
FIG. 6 is a left-side view thereof;
FIG. 7 is a top view thereof; and,
FIG. 8 is a bottom view thereof.

All features in broken line form no part of the claimed subject matter.

1 Claim, 8 Drawing Sheets



(56)

References Cited

U.S. PATENT DOCUMENTS

3,154,122 A 10/1964 Batchelor et al.
 3,162,384 A 12/1964 Wright
 3,334,790 A 8/1967 Eaton
 4,191,103 A 3/1980 Wettlaufer
 4,214,519 A 7/1980 Stollenwerk
 4,367,667 A 1/1983 Shibata
 4,393,737 A 7/1983 Shibata
 4,420,404 A 12/1983 Coate et al.
 4,456,185 A 6/1984 Ribassin et al.
 4,539,793 A 9/1985 Malek
 4,674,690 A 6/1987 Ponikwia et al.
 4,680,808 A 7/1987 Paleschuck
 4,730,555 A 3/1988 Blanchot
 4,778,117 A 10/1988 Karg
 4,892,665 A 1/1990 Wettlaufer
 4,986,912 A 1/1991 Fisch
 5,031,524 A 7/1991 Wettlaufer
 5,045,186 A 9/1991 Takashima
 5,146,848 A 9/1992 Dufour
 5,205,498 A 4/1993 Ostermeier et al.
 5,207,152 A 5/1993 Wettlaufer
 5,267,509 A 12/1993 Wettlaufer
 5,275,097 A 1/1994 Wettlaufer
 5,340,036 A 8/1994 Riley
 5,356,083 A 10/1994 Wettlaufer
 5,533,681 A 7/1996 Riley
 5,613,434 A 3/1997 Hartmann
 6,123,018 A 9/2000 Wettlaufer et al.
 6,159,527 A 12/2000 Wettlaufer
 6,422,138 B1 7/2002 Ballard
 6,457,403 B1 10/2002 Wettlaufer et al.
 7,337,996 B2 3/2008 Hanson et al.
 7,448,317 B2 11/2008 Pinnow
 7,607,599 B2 10/2009 Jara-Almonte et al.
 7,753,297 B2 7/2010 Hanson
 7,866,583 B2 1/2011 Jara-Almonte
 8,387,520 B2 3/2013 Backus
 8,578,846 B2 11/2013 Sherwood
 D725,439 S * 3/2015 Kim D7/665
 9,027,472 B2 5/2015 Bertocchi

D774,848 S * 12/2016 Flotats Molinas D7/665
 9,763,470 B2 9/2017 Feinberg et al.
 9,844,229 B2 12/2017 Wettlaufer et al.
 9,888,802 B2 2/2018 Holzbauer et al.
 2008/0098908 A1 5/2008 Song
 2008/0116305 A1 5/2008 Hanson et al.
 2012/0037013 A1 2/2012 Bertocchi
 2013/0074708 A1 3/2013 Asbury et al.
 2014/0224137 A1 8/2014 Wettlaufer et al.
 2014/0306042 A1 10/2014 Chesack et al.
 2014/0314918 A1 10/2014 Wettlaufer et al.
 2015/0257435 A1 9/2015 Feinberg et al.
 2015/0359256 A1 12/2015 Wettlaufer et al.
 2015/0374025 A1 12/2015 Evans et al.
 2016/0199760 A1 * 7/2016 Wettlaufer B01D 29/353
 210/232
 2017/0295982 A1 10/2017 Holzbauer et al.
 2018/0084818 A1 3/2018 Wettlaufer et al.
 2018/0103676 A1 4/2018 Wettlaufer et al.
 2019/0159507 A1 5/2019 Wettlaufer et al.
 2019/0193359 A1 6/2019 Wettlaufer et al.

FOREIGN PATENT DOCUMENTS

CN 201245539 Y 5/2009
 CN 201604303 10/2010
 CN 202515365 11/2012
 CN 205727969 11/2016
 EP 1364558 3/2005
 EP 1632338 3/2006
 FR 2806880 10/2001
 JP 2006-094902 4/2006
 JP 2015039493 3/2015
 KR 20030004642 1/2003

OTHER PUBLICATIONS

Norwalk. 2014. Model 280 Technical Specifications. Retrieved on Oct. 9, 2015 from <http://www.norwalkjuicers.com/technical-specs/>.

* cited by examiner

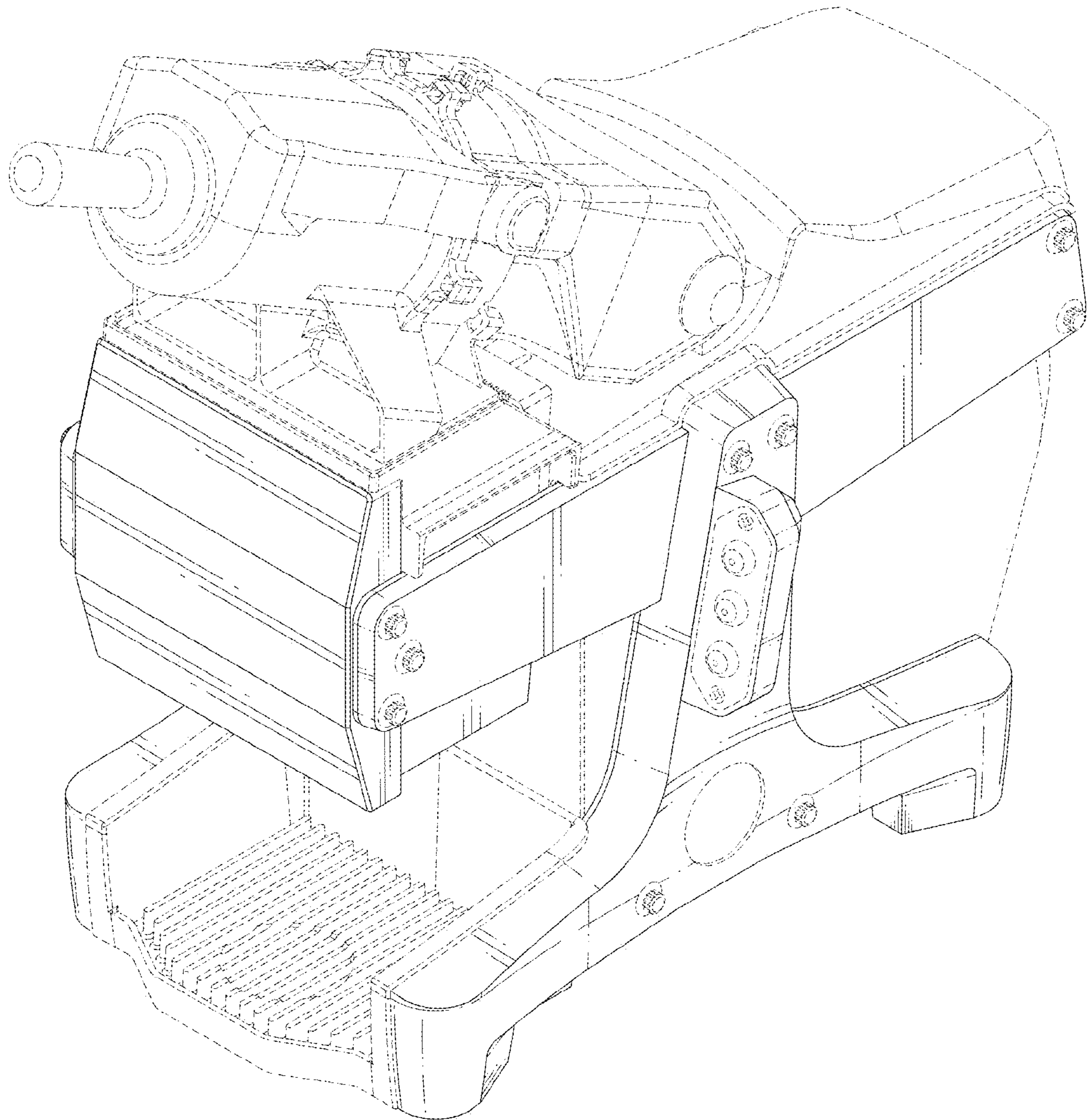


FIG. 1

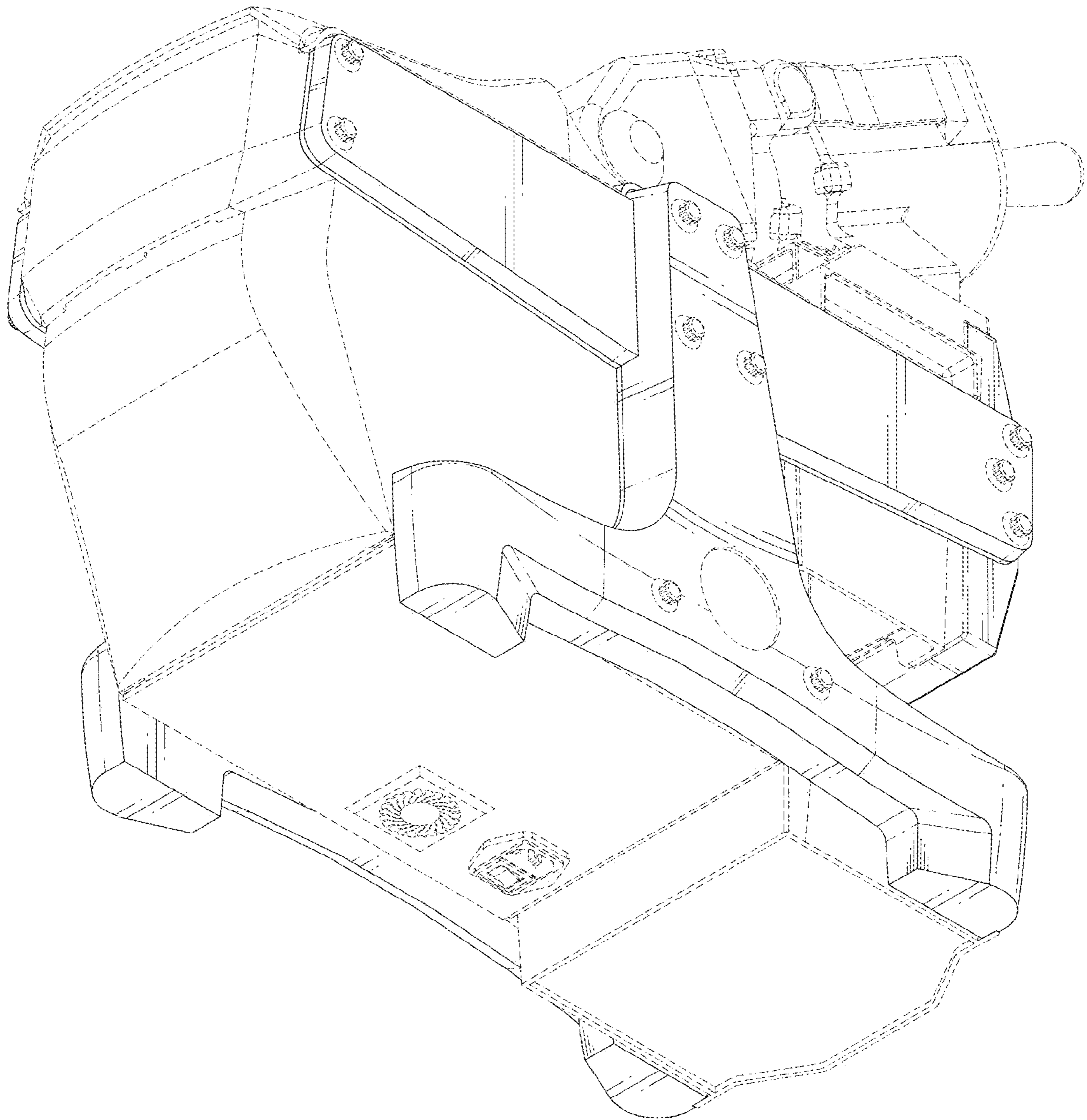


FIG. 2

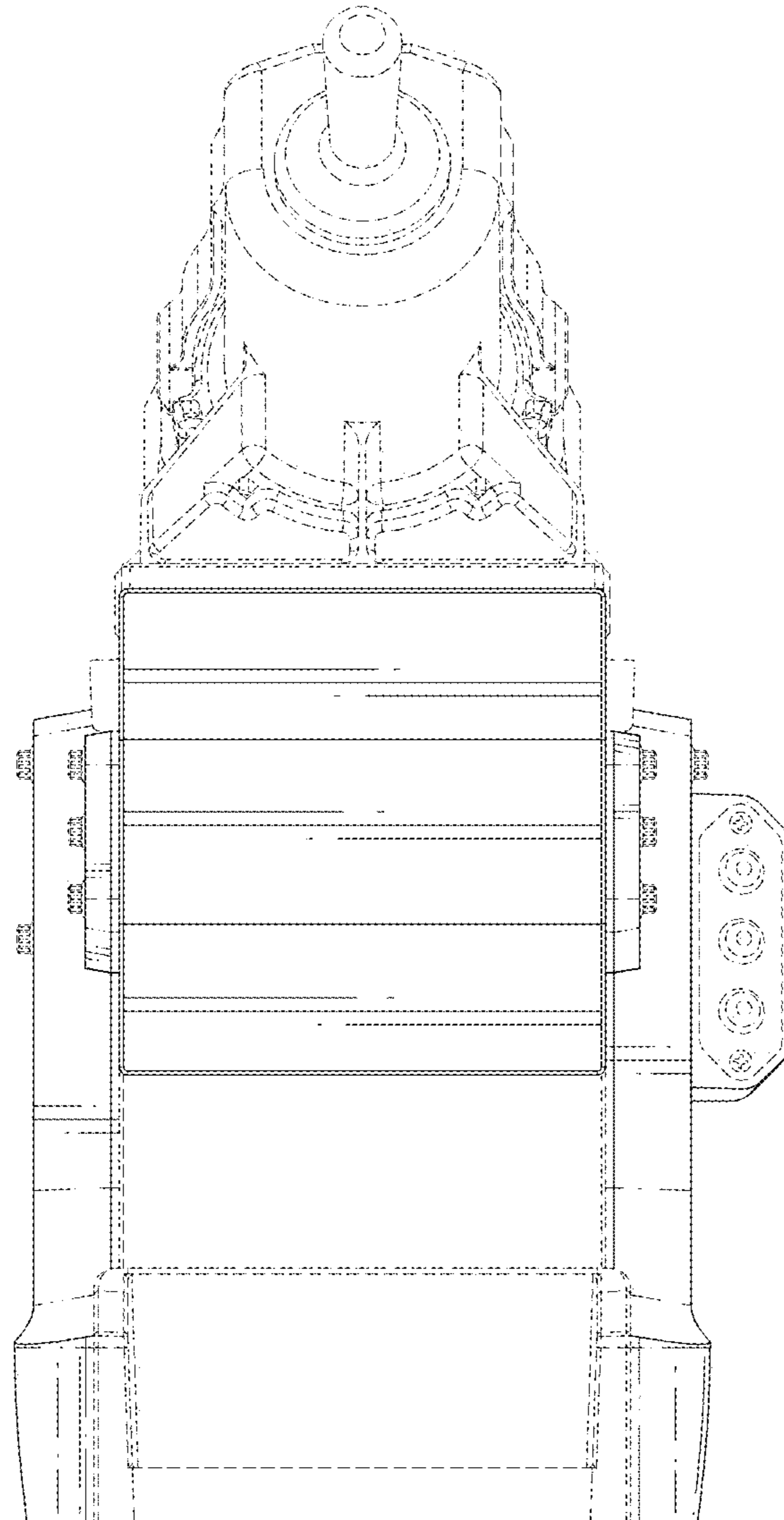


FIG. 3

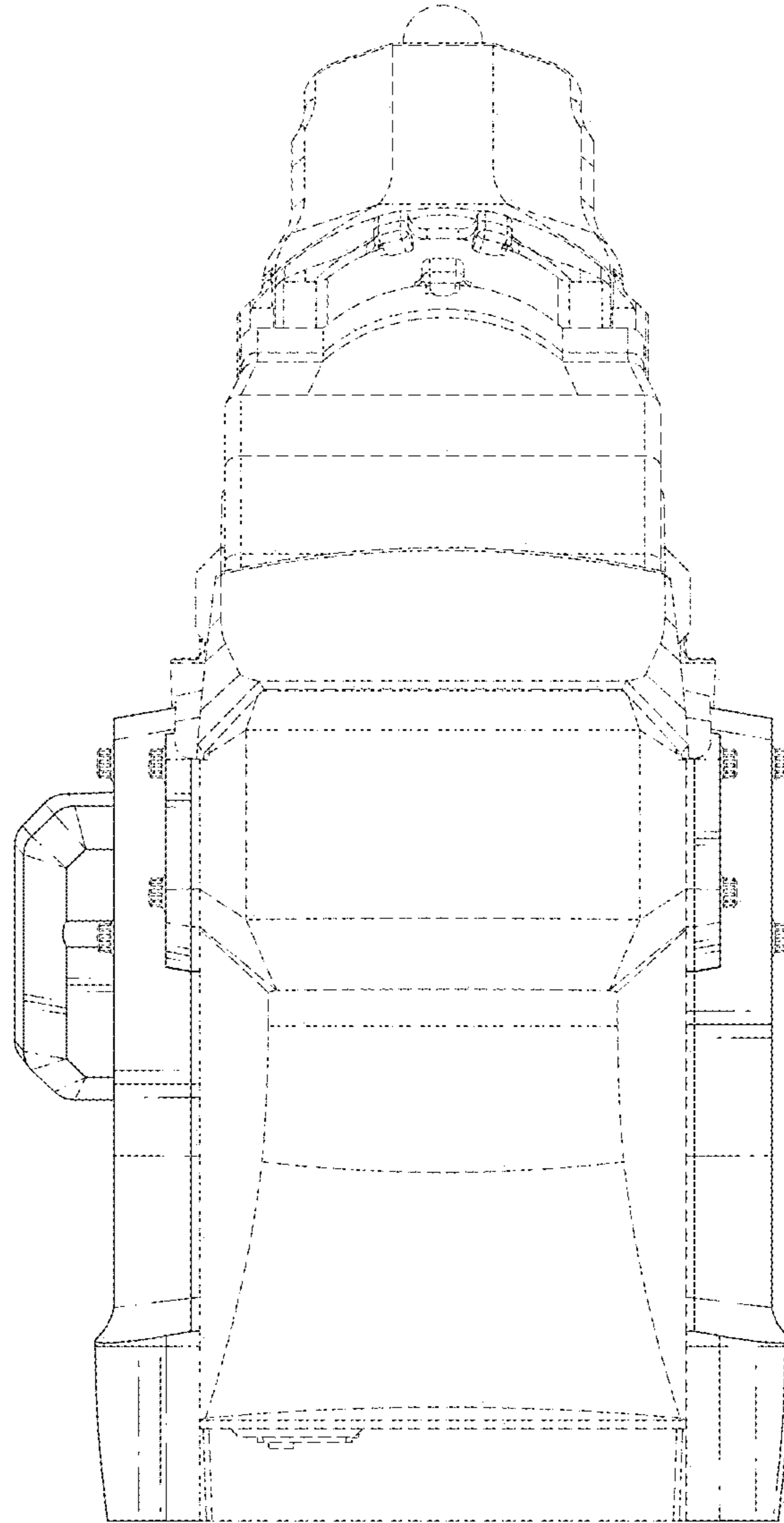


FIG. 4

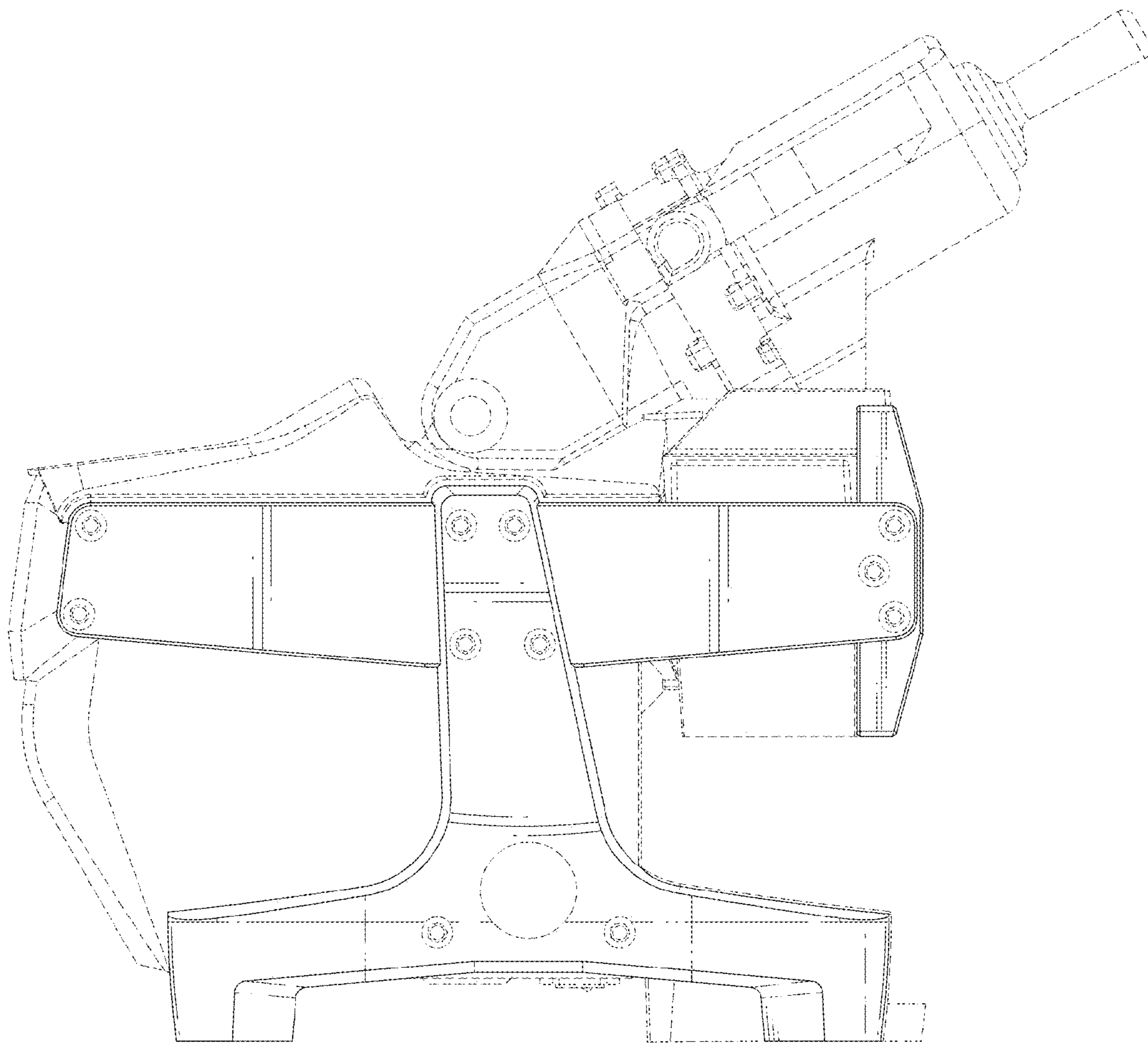


FIG. 5

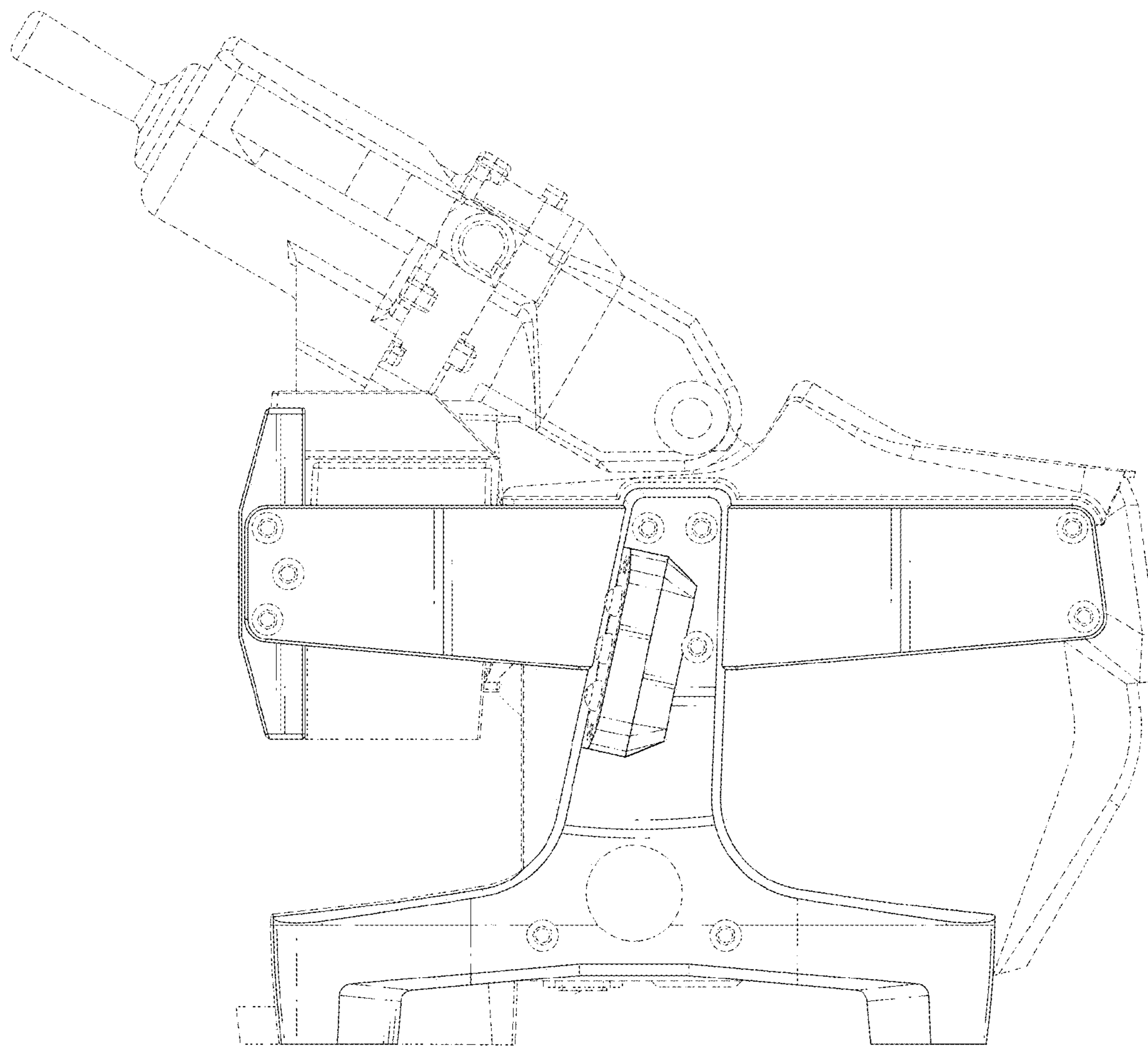


FIG. 6

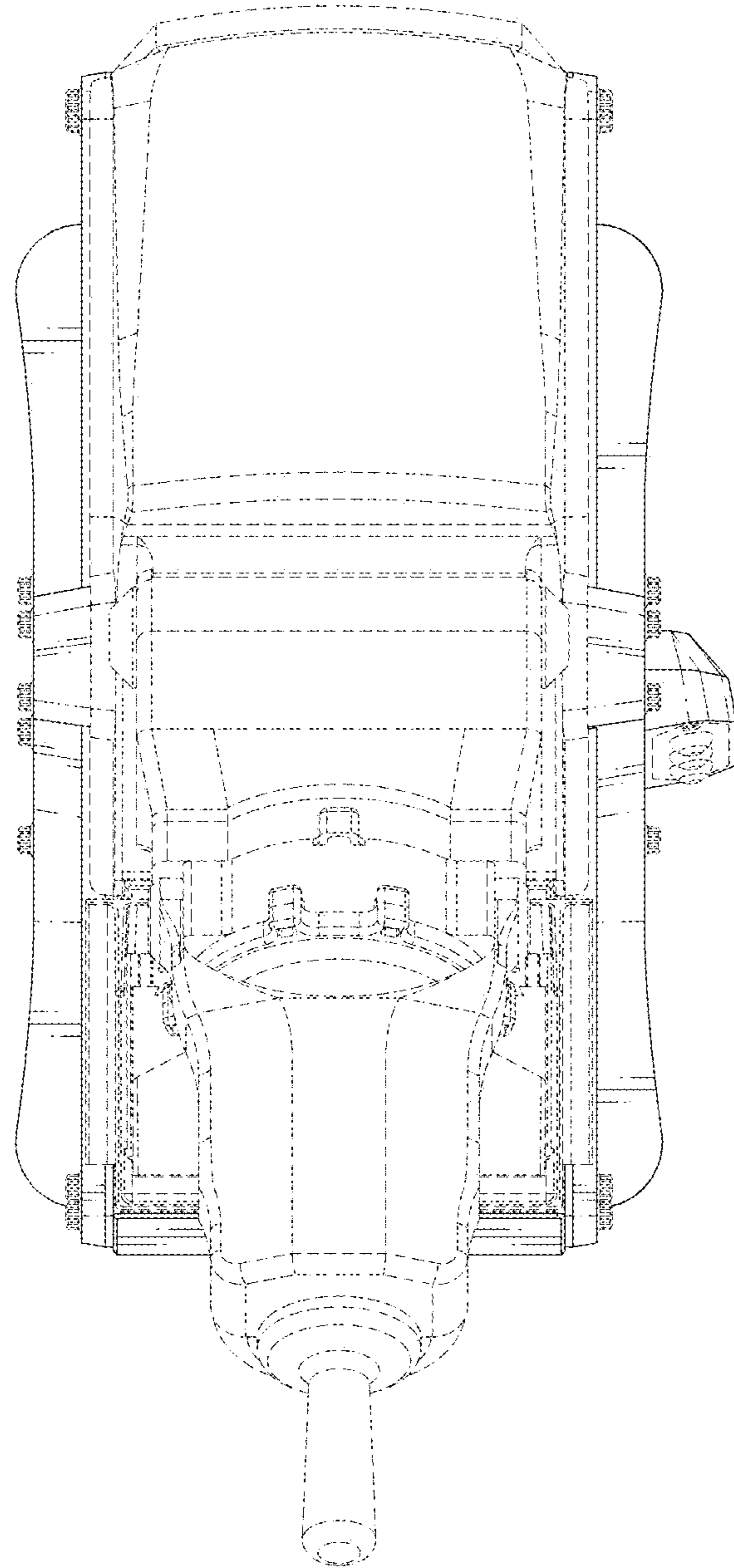


FIG. 7

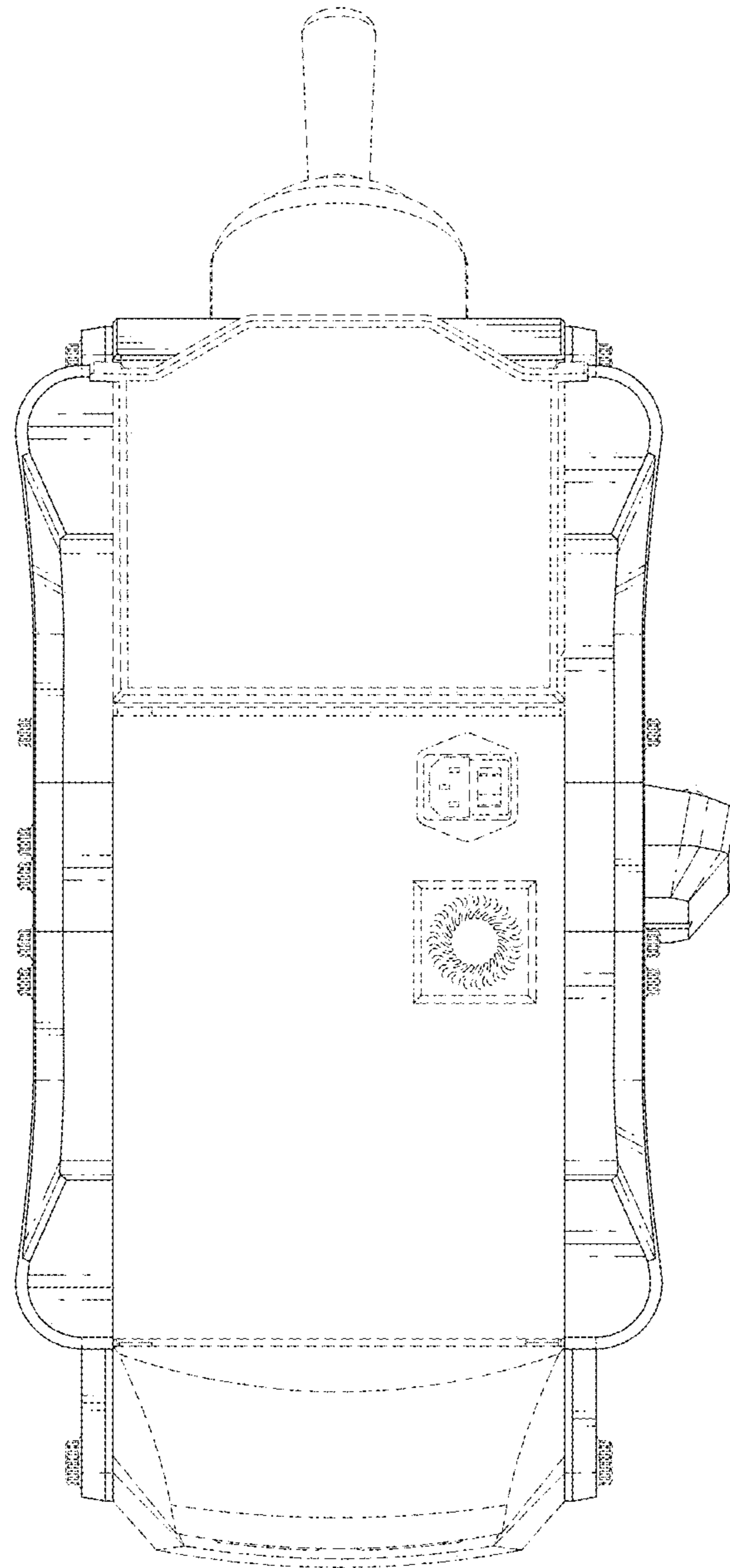


FIG. 8