



US00D914462S

(12) **United States Design Patent**
Feng

(10) **Patent No.:** **US D914,462 S**

(45) **Date of Patent:** **** Mar. 30, 2021**

(54) **COMBINED KNIFE HOLDER AND CUTTING BOARD**

(71) Applicant: **Shengli Feng**, Taizhou (CN)

(72) Inventor: **Shengli Feng**, Taizhou (CN)

(**) Term: **15 Years**

(21) Appl. No.: **29/720,633**

(22) Filed: **Jan. 15, 2020**

(30) **Foreign Application Priority Data**

Dec. 11, 2019 (CN) 201930690887.5

(51) **LOC (13) Cl.** **07-99**

(52) **U.S. Cl.**
USPC **D7/638**; D7/698

(58) **Field of Classification Search**
USPC D3/304, 306, 316; D6/566, 567, 573,
D6/574; D7/631, 637-641; D19/75, 81,
D19/83-86, 90, 92
CPC A47B 88/00; A47G 21/14; A47G 21/16;
A47G 21/184; A47G 23/06; A47G
29/087; A47J 45/02; A47J 47/16; B65D
1/34; B65D 1/36

See application file for complete search history.

(56) **References Cited**

U.S. PATENT DOCUMENTS

1,771,294 A * 7/1930 Hackett A47J 47/005
269/16
D267,922 S * 2/1983 Schweizer D7/363

D292,357 S * 10/1987 Narain D7/388
4,966,339 A * 10/1990 Lu A47G 21/14
211/70.7
D333,238 S * 2/1993 Stead D7/637
7,249,683 B2 * 7/2007 Smith A47G 21/14
211/70.7
D800,513 S * 10/2017 Liu D7/637
2003/0038098 A1 * 2/2003 Stuchlik, III A47G 21/14
211/70.7

* cited by examiner

Primary Examiner — Janice Patyk

(74) *Attorney, Agent, or Firm* — Bayramoglu Law Offices LLC

(57) **CLAIM**

The ornamental design for a combined knife holder and cutting board, as shown and described.

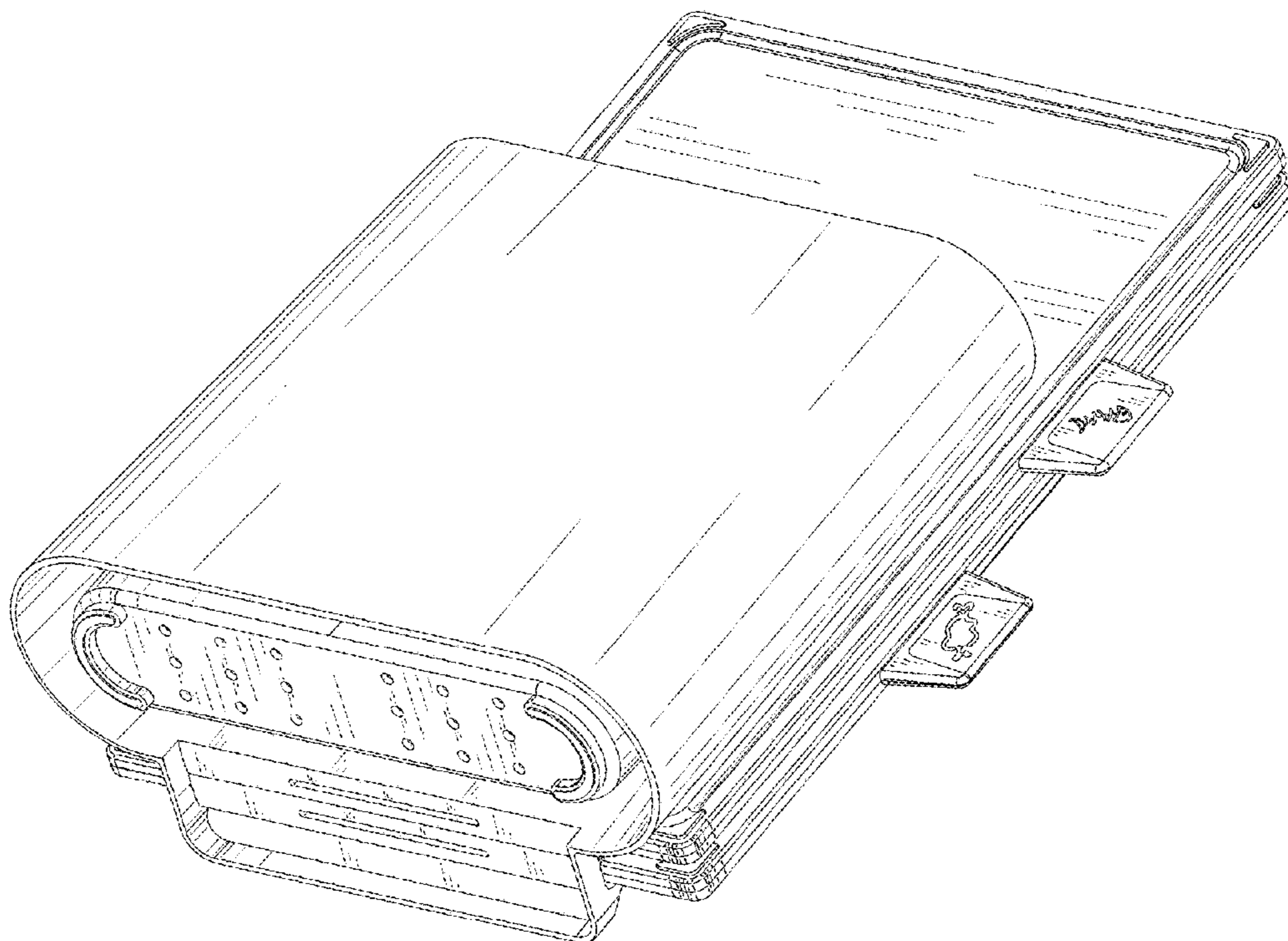
DESCRIPTION

FIG. 1 is a bottom perspective view of a combined knife holder and cutting board showing my new design; FIG. 2 is a right-side view thereof; FIG. 3 is a left-side view thereof; FIG. 4 is a front view thereof; FIG. 5 is a back view thereof; FIG. 6 is a bottom view thereof; FIG. 7 is a top view thereof; and, FIG. 8 is a top perspective view thereof.

The dot-dash broken lines immediately adjacent to the claimed areas in FIG. 6 represent the boundaries of the design and form no part thereof.

None of the broken lines form any part of the claimed design,

1 Claim, 8 Drawing Sheets



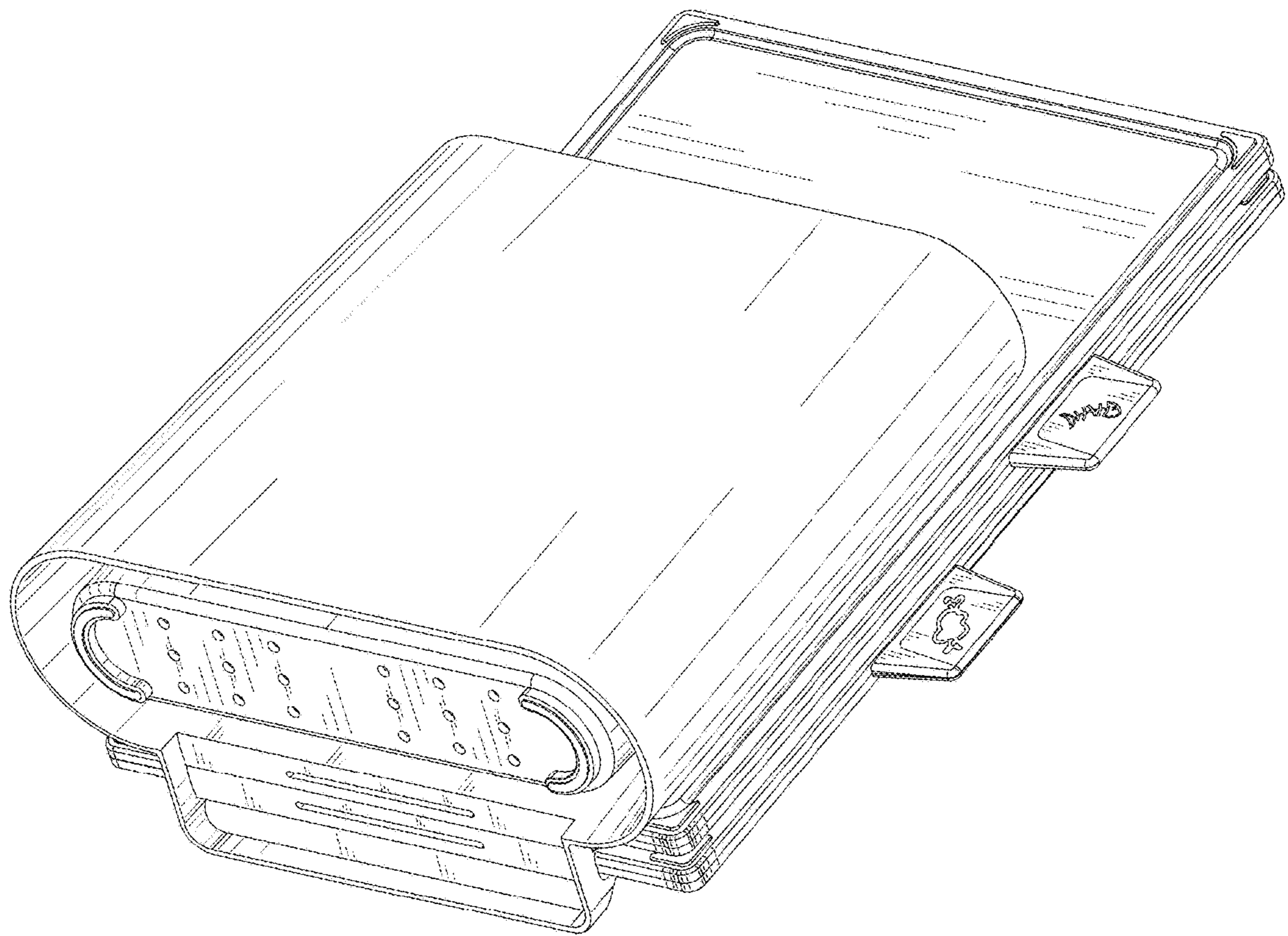


FIG. 1

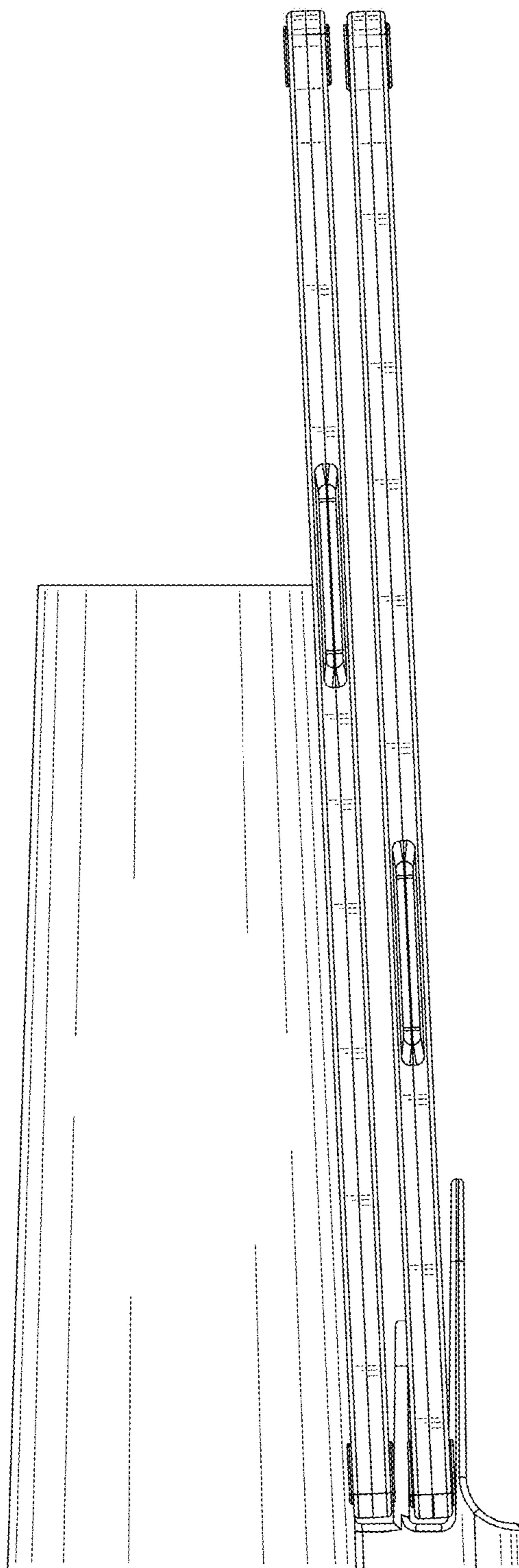


FIG. 2

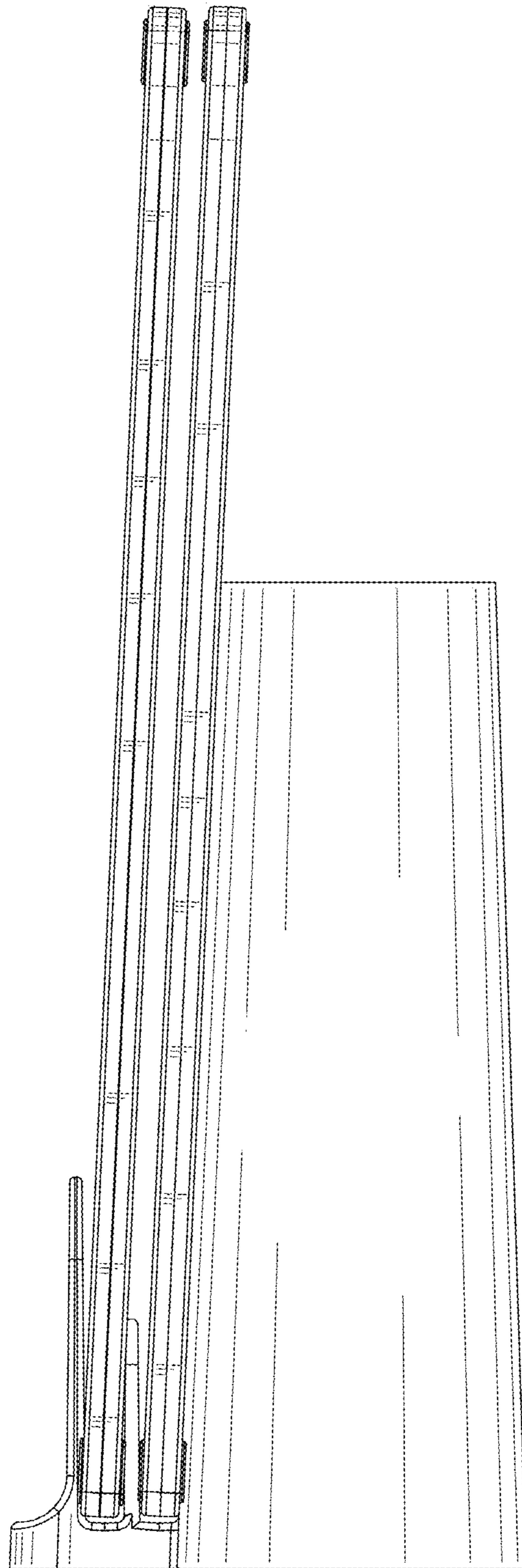


FIG. 3



FIG. 4

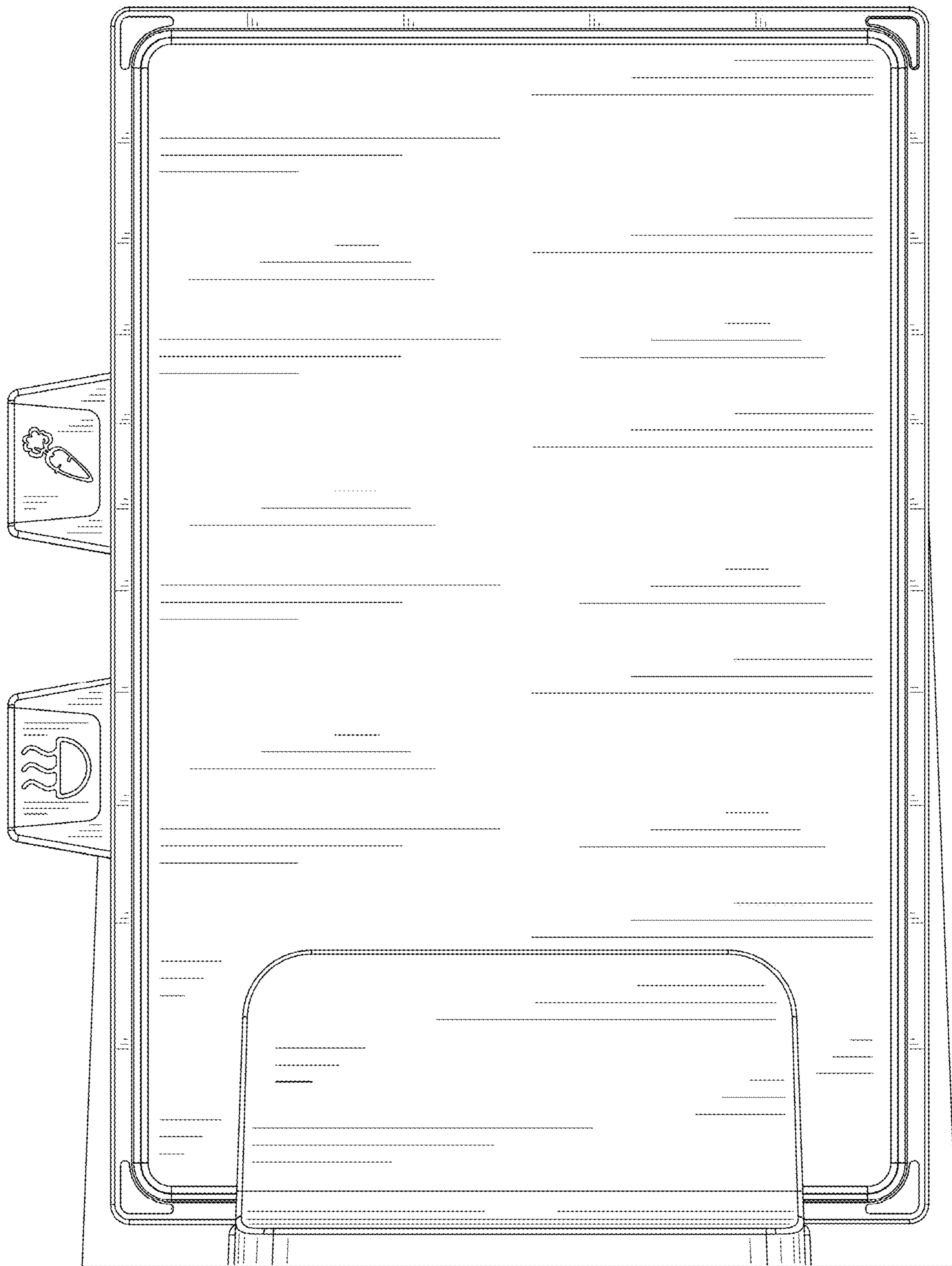


FIG. 5

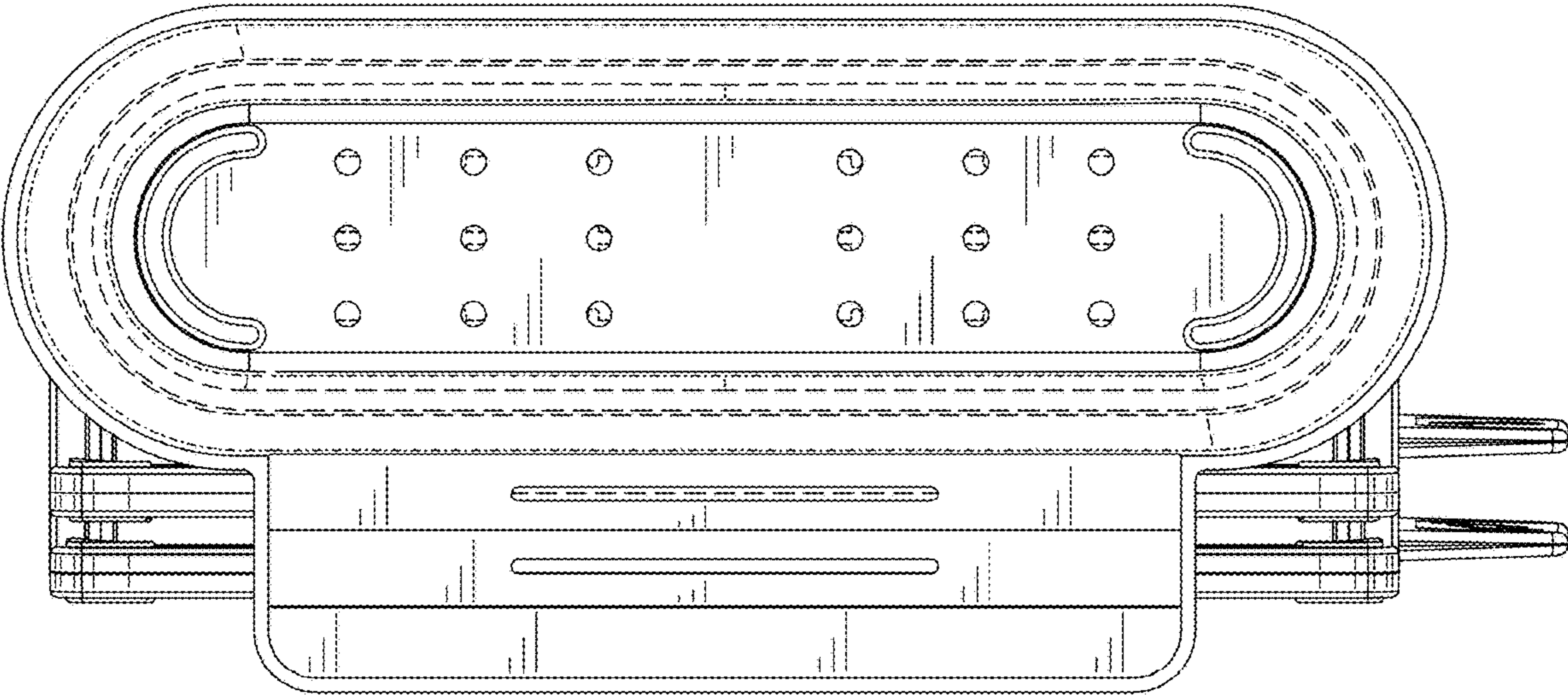


FIG. 6

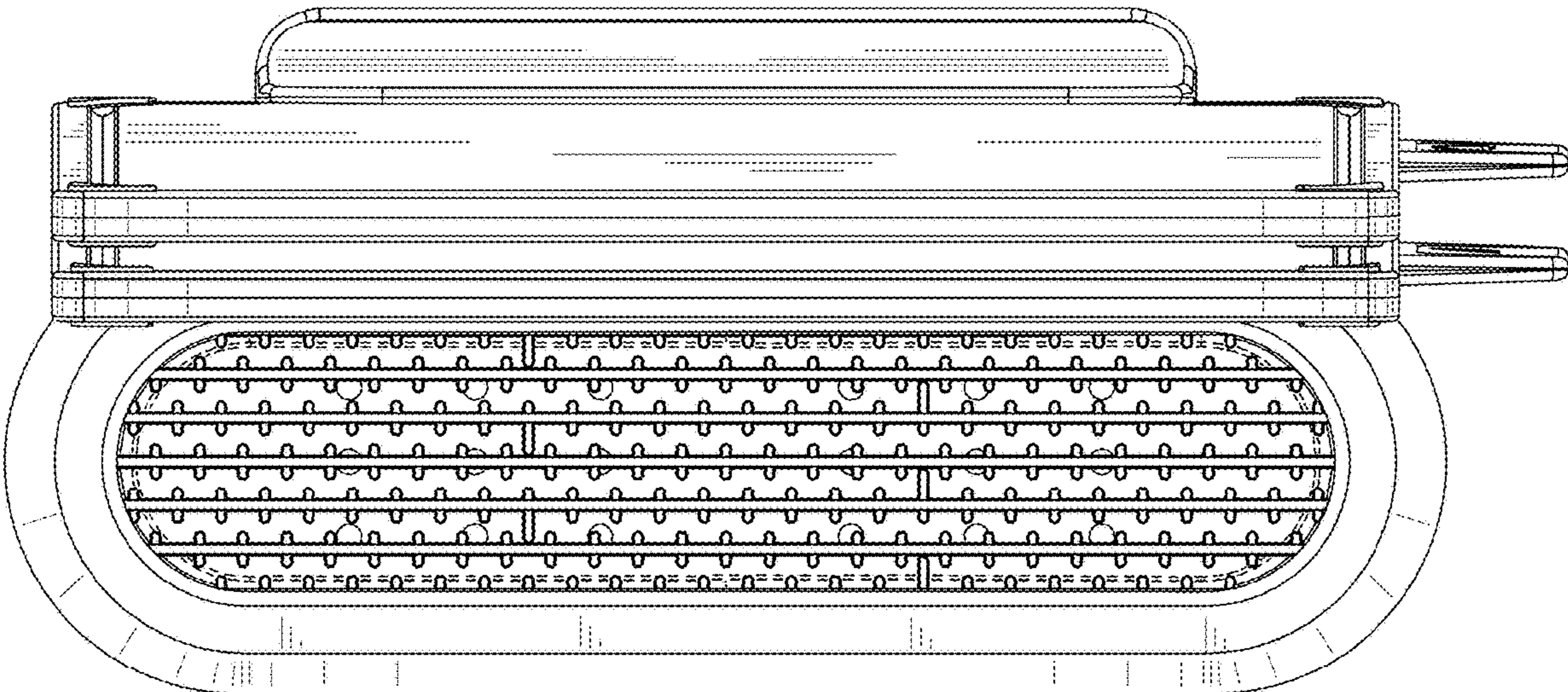


FIG. 7

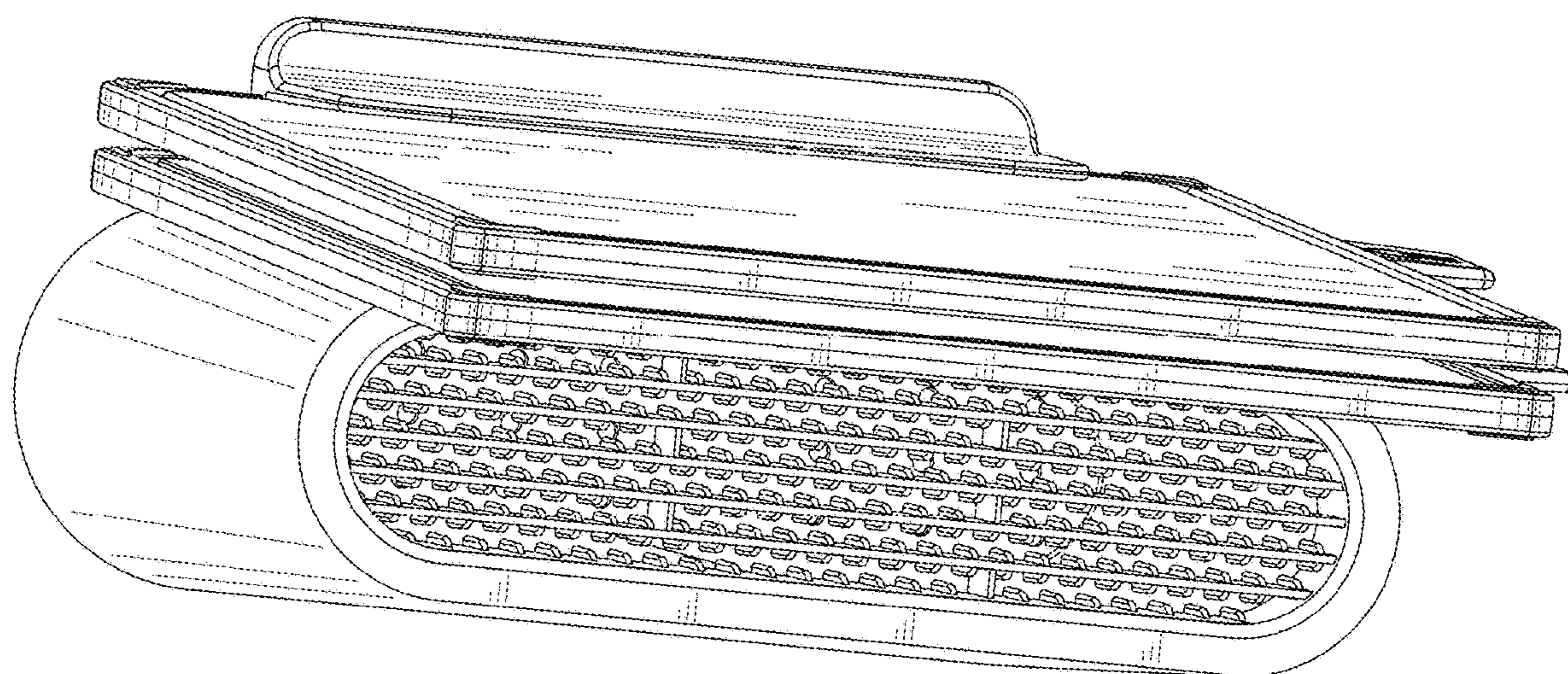


FIG. 8