



US00D914461S

(12) **United States Design Patent**  
**Acero**

(10) **Patent No.:** **US D914,461 S**  
(45) **Date of Patent:** **\*\* Mar. 30, 2021**

- (54) **UTENSIL REST**
- (71) Applicant: **Daniel Acero**, Miami, FL (US)
- (72) Inventor: **Daniel Acero**, Miami, FL (US)
- (\*\*) Term: **15 Years**
- (21) Appl. No.: **29/694,864**
- (22) Filed: **Jun. 13, 2019**

6,062,397 A \* 5/2000 Licari ..... A47J 47/20  
211/41.3  
6,604,714 B1 \* 8/2003 Hall ..... A47F 7/0035  
206/232  
D493,319 S \* 7/2004 Lloyd-Morris ..... D6/553  
D579,277 S \* 10/2008 Stokes ..... D7/637  
D705,018 S \* 5/2014 Liotta ..... D7/637  
D740,619 S \* 10/2015 Elliott ..... D7/637  
2004/0262459 A1 \* 12/2004 Qualiano ..... A47J 47/16  
248/37.6

**Related U.S. Application Data**

- (63) Continuation-in-part of application No. 29/694,859, filed on Jun. 13, 2019.
- (51) **LOC (13) Cl.** ..... **07-07**
- (52) **U.S. Cl.**  
USPC ..... **D7/637**
- (58) **Field of Classification Search**  
USPC ..... D3/304, 306, 316; D6/566, 567, 573,  
D6/574; D7/631, 637-641; D19/75, 81,  
D19/83-86, 90, 92  
CPC ..... A47B 88/00; A47G 21/14; A47G 21/16;  
A47G 21/184; A47G 23/06; A47G  
29/087; A47J 45/02; A47J 47/16; B65D  
1/34; B65D 1/36  
See application file for complete search history.

\* cited by examiner

*Primary Examiner* — Janice Patyk

(74) *Attorney, Agent, or Firm* — Mark Terry

(57) **CLAIM**

The ornamental design for a utensil rest, as shown and described.

**DESCRIPTION**

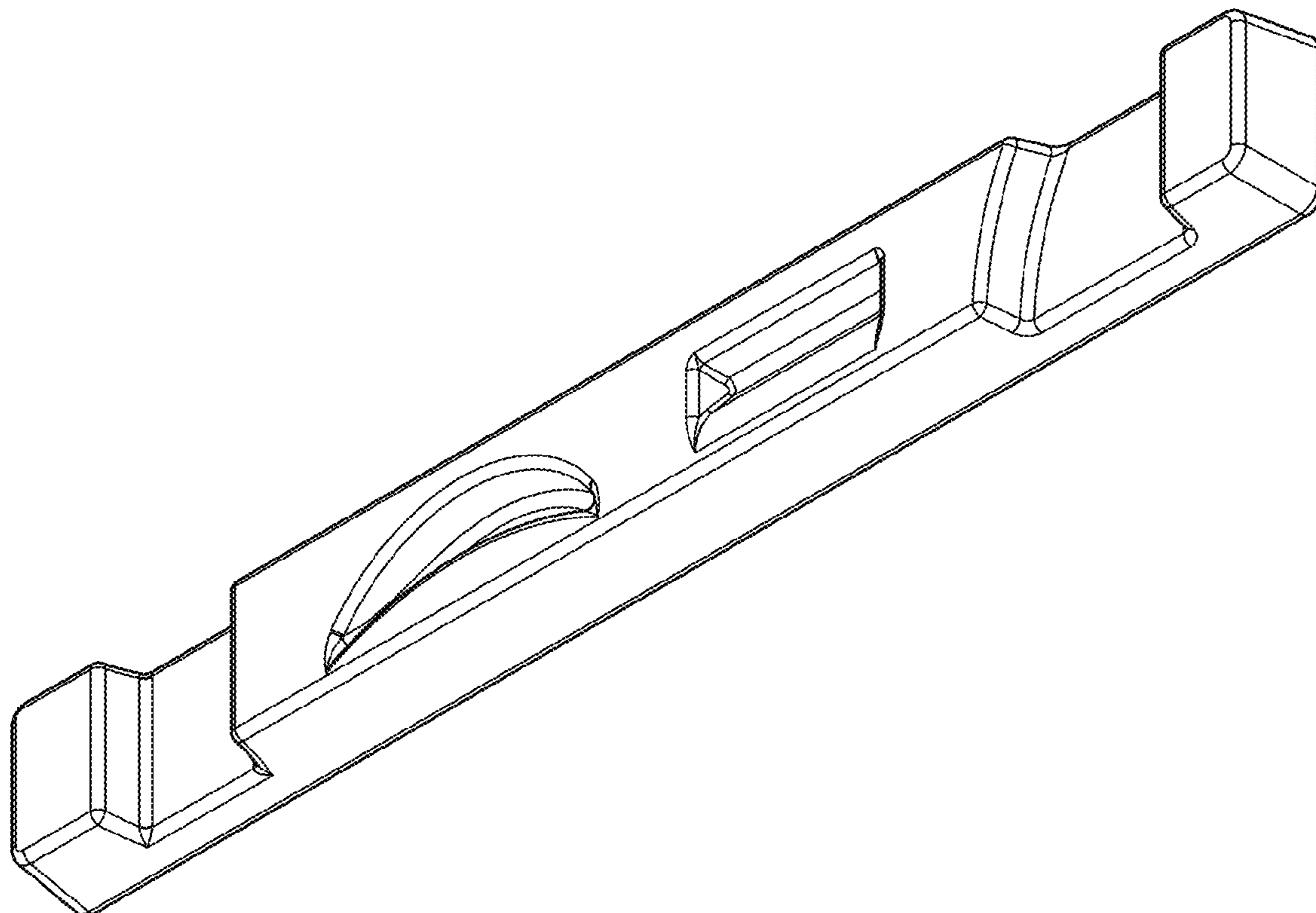
FIG. 1 is a front, right side perspective view of a utensil rest, showing my new design;  
 FIG. 2 is a front, left perspective view thereof;  
 FIG. 3 is a top perspective view thereof;  
 FIG. 4 is a bottom view thereof;  
 FIG. 5 is a front view thereof;  
 FIG. 6 is a top view thereof;  
 FIG. 7 is a right side view thereof;  
 FIG. 8 is a rear view thereof;  
 FIG. 9 is a bottom, rear perspective view thereof; and,  
 FIG. 10 is another bottom, rear perspective view thereof.

(56) **References Cited**

**U.S. PATENT DOCUMENTS**

D367,405 S \* 2/1996 Bridger ..... D7/641  
 D423,303 S \* 4/2000 Morton ..... D7/637

**1 Claim, 10 Drawing Sheets**



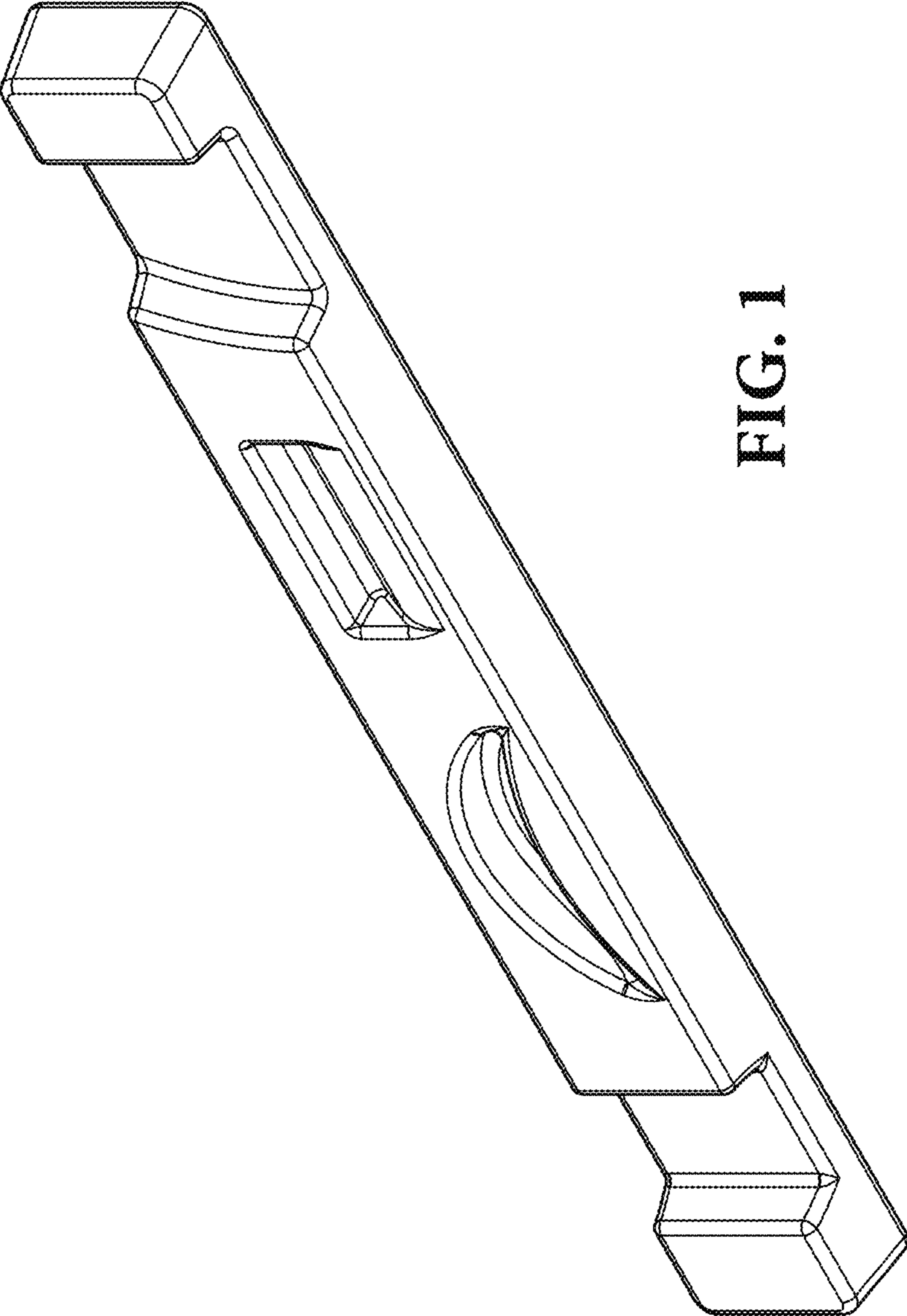


FIG. 1

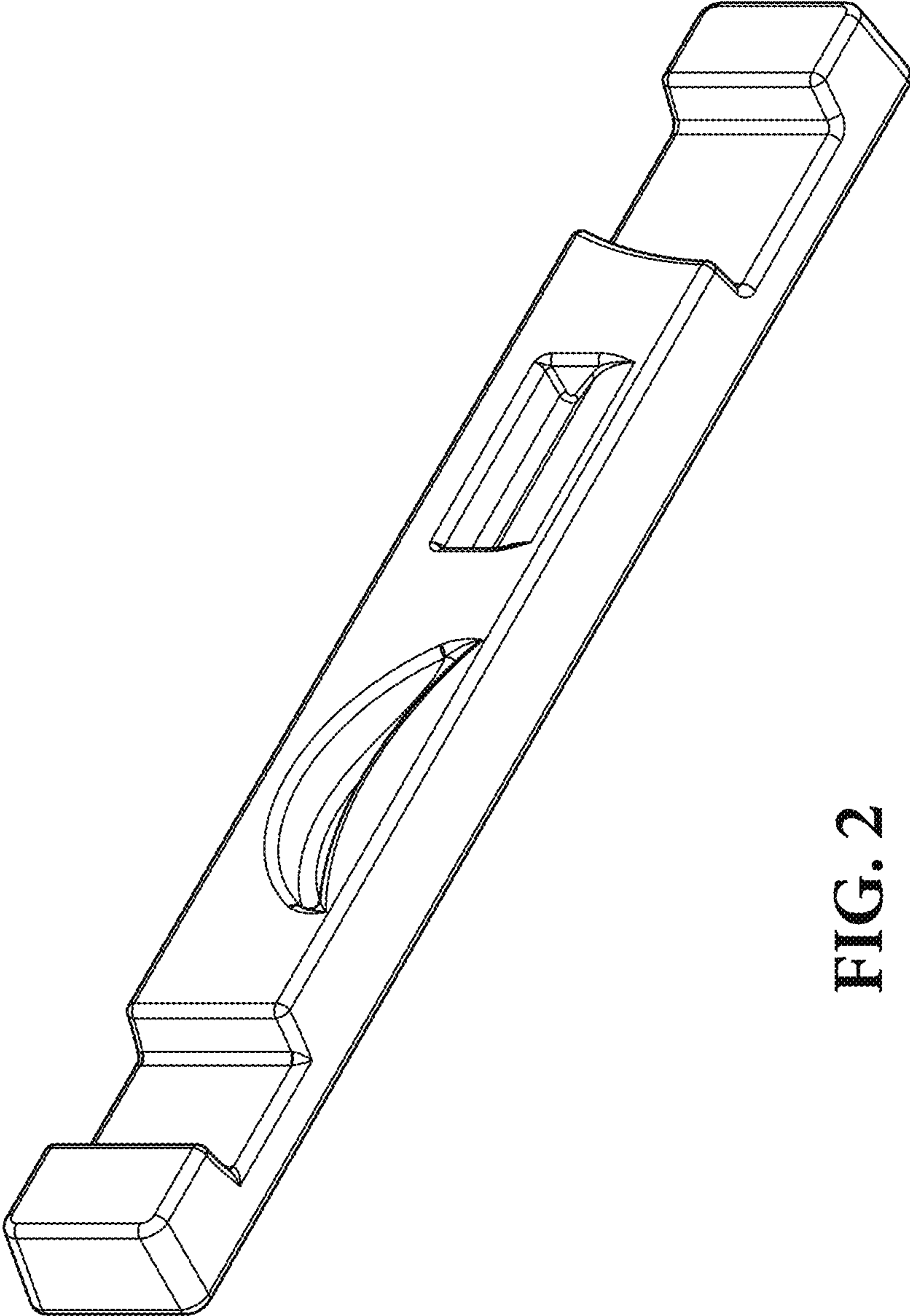


FIG. 2

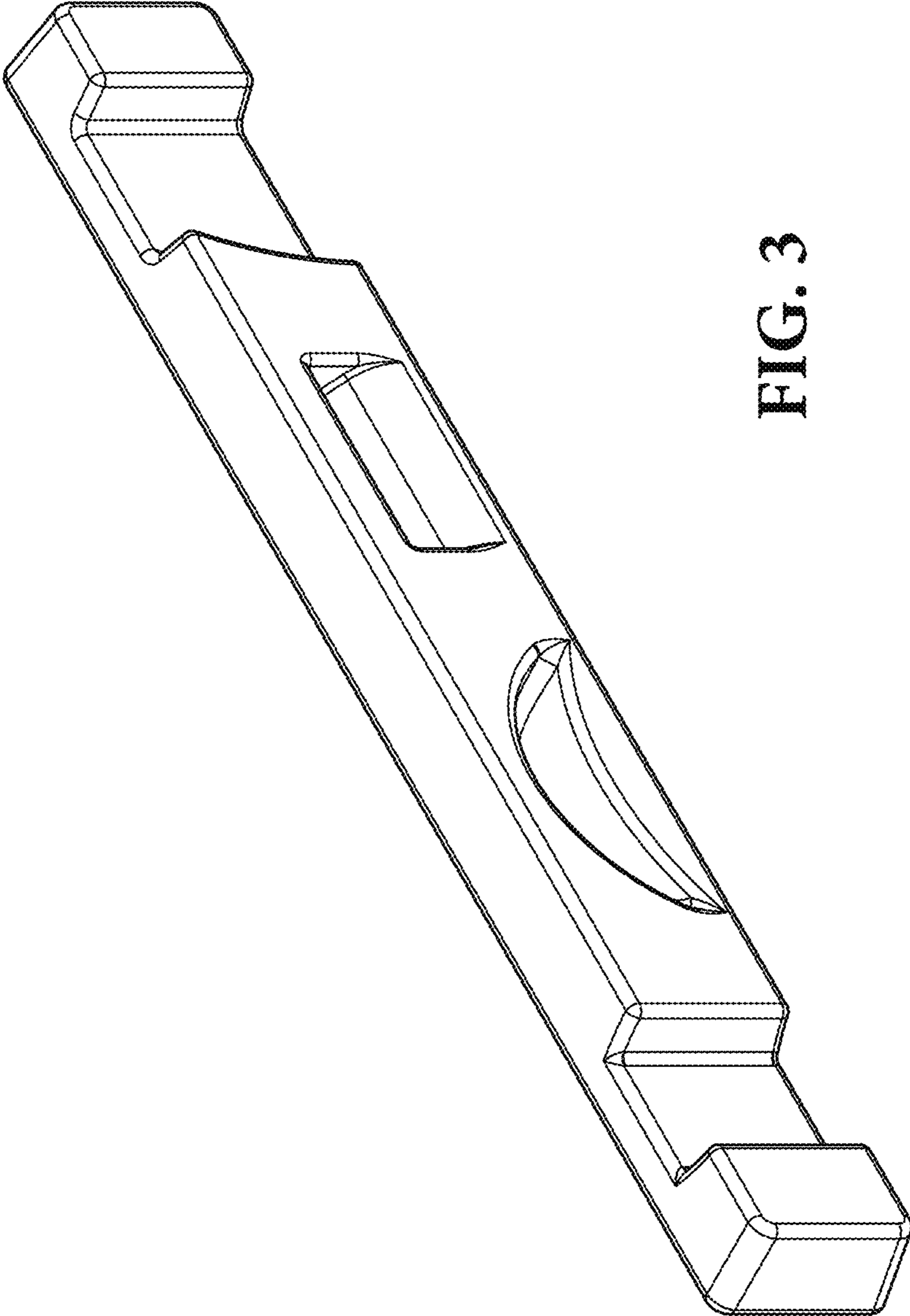


FIG. 3

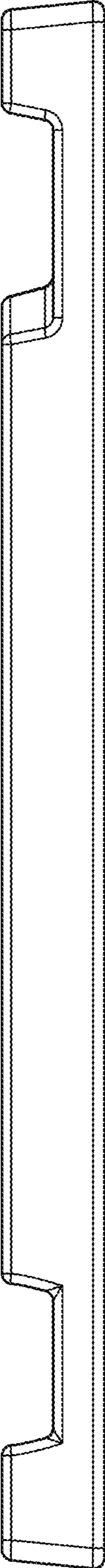


FIG. 4

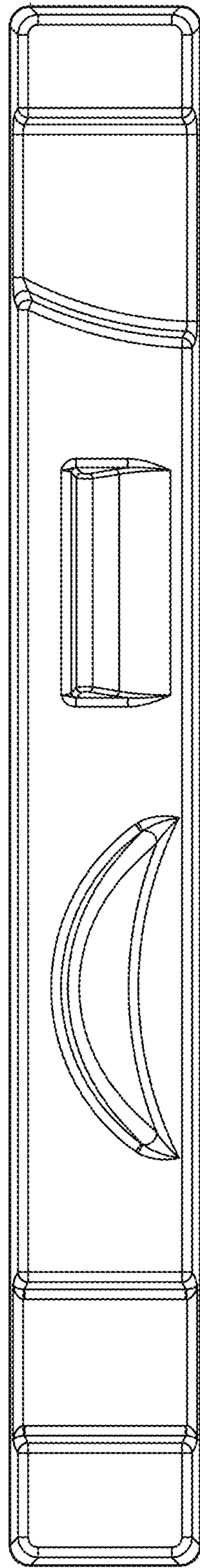


FIG. 5

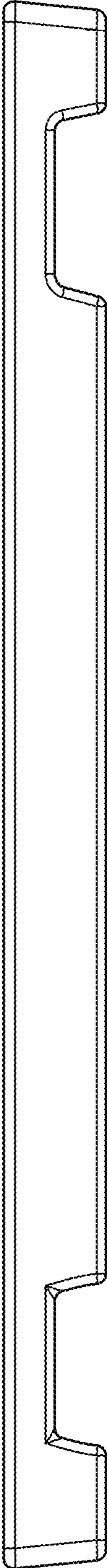
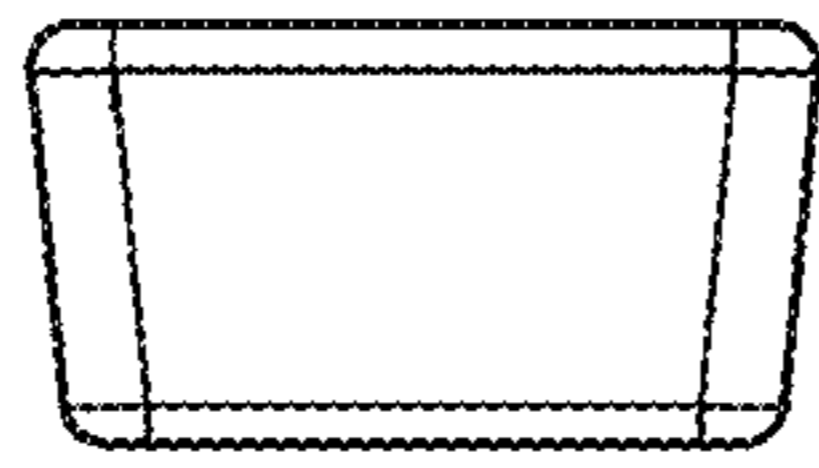


FIG. 6



**FIG. 7**



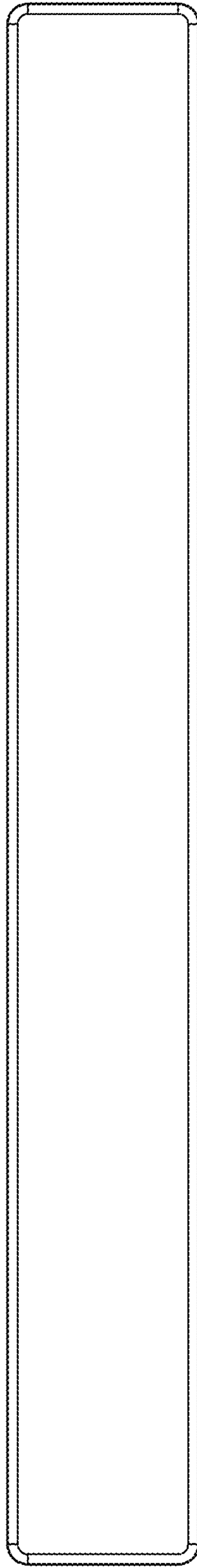


FIG. 8

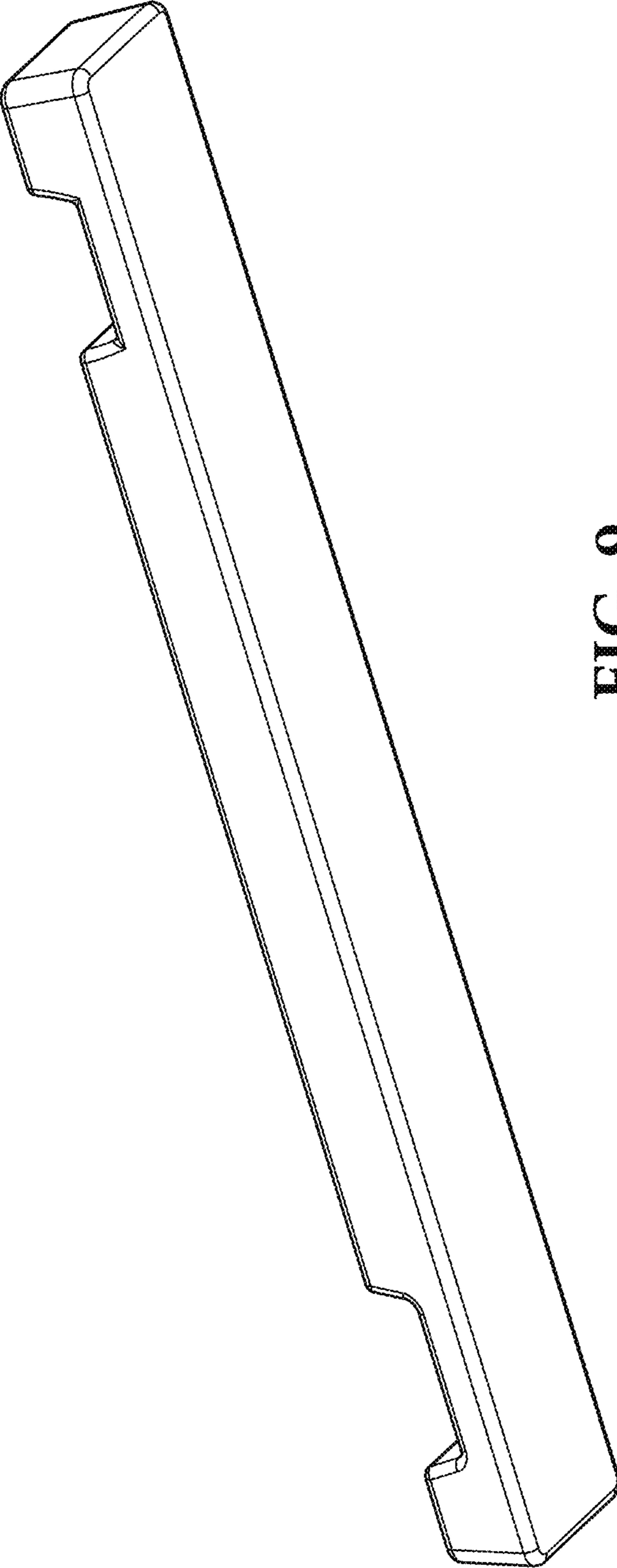


FIG. 9

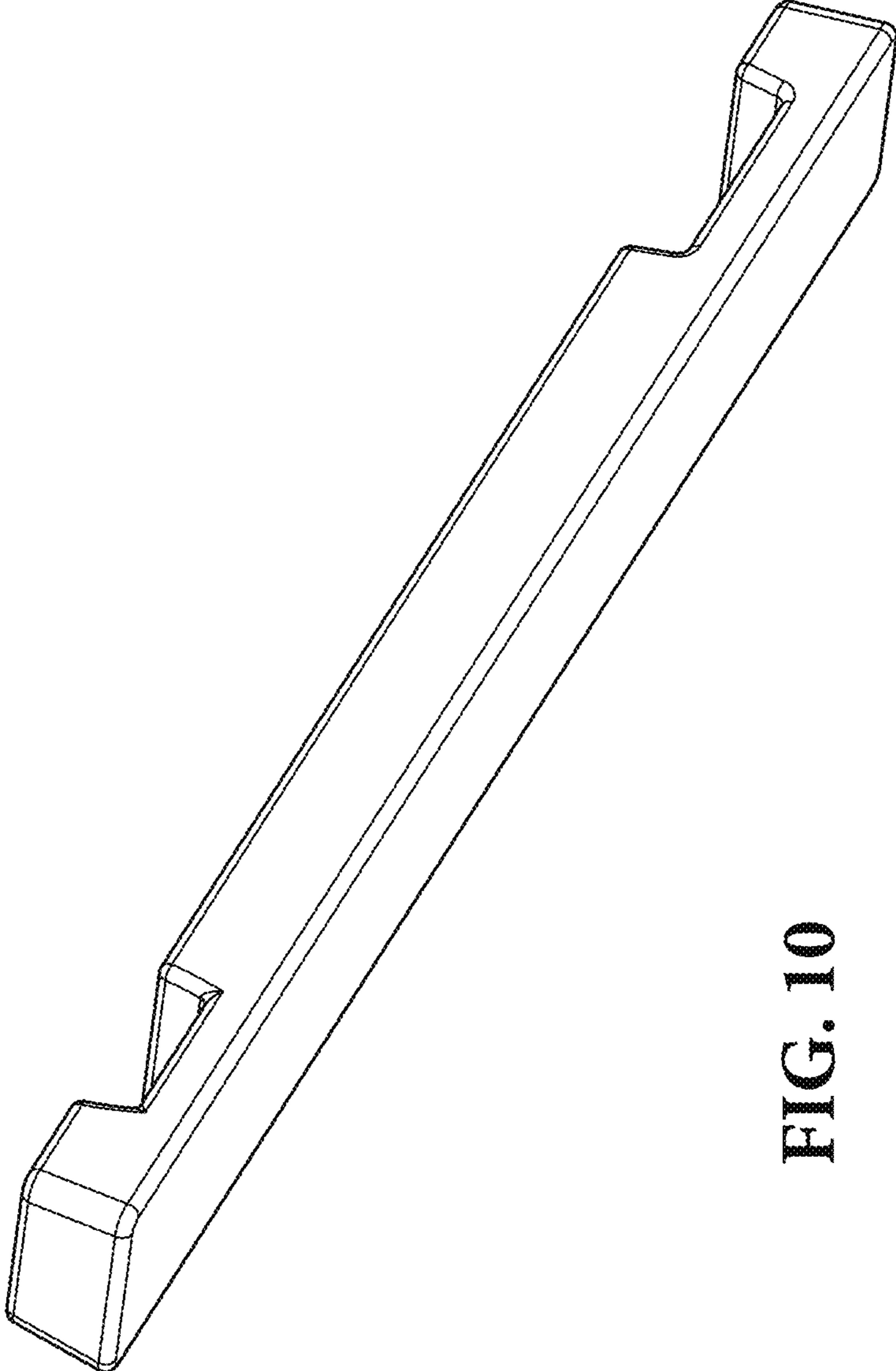


FIG. 10