



US00D914460S

(12) **United States Design Patent** (10) **Patent No.:** **US D914,460 S**
Acero (45) **Date of Patent:** **** Mar. 30, 2021**

(54) **UTENSIL REST**
(71) Applicant: **Daniel Acero**, Miami, FL (US)
(72) Inventor: **Daniel Acero**, Miami, FL (US)
(**) Term: **15 Years**
(21) Appl. No.: **29/694,859**
(22) Filed: **Jun. 13, 2019**
(51) **LOC (13) Cl.** **07-07**
(52) **U.S. Cl.**
USPC **D7/637**
(58) **Field of Classification Search**
USPC D3/304, 306, 316; D6/566, 567, 573,
D6/574; D7/631, 637-641; D19/75, 81,
D19/83-86, 90, 92
CPC A47B 88/00; A47G 21/14; A47G 21/16;
A47G 21/184; A47G 23/06; A47G
29/087; A47J 45/02; A47J 47/16; B65D
1/34; B65D 1/36
See application file for complete search history.

D493,319 S * 7/2004 Lloyd-Morris D6/553
D579,277 S * 10/2008 Stokes D7/637
D705,018 S * 5/2014 Liotta D7/637
D740,619 S * 10/2015 Elliott D7/637
2004/0262459 A1* 12/2004 Qualiano A47J 47/16
248/37.6

* cited by examiner

Primary Examiner — Janice Patyk
(74) *Attorney, Agent, or Firm* — Mark Terry

(56) **References Cited**
U.S. PATENT DOCUMENTS
D367,405 S * 2/1996 Bridger D7/641
D423,303 S * 4/2000 Morton D7/637
6,062,397 A * 5/2000 Licari A47J 47/20
211/41.3
6,604,714 B1 * 8/2003 Hall A47F 7/0035
206/232

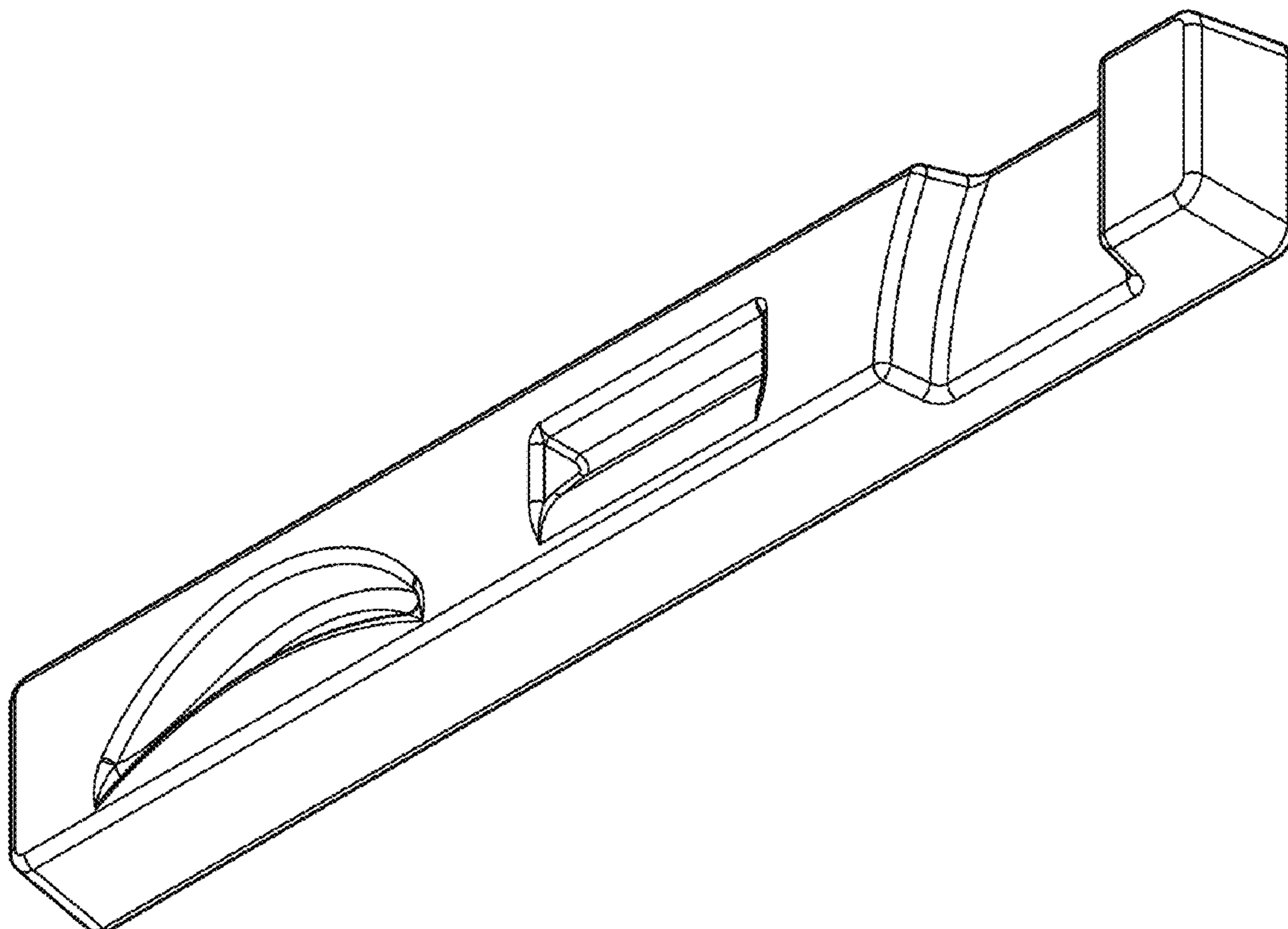
(57) **CLAIM**

The ornamental design for a utensil rest, as shown and described.

DESCRIPTION

FIG. 1 is a front, right side perspective view of a utensil rest, showing my new design;
FIG. 2 is a front, left side perspective view thereof;
FIG. 3 is a top perspective view thereof;
FIG. 4 is a bottom view thereof;
FIG. 5 is a front view thereof;
FIG. 6 is a top view thereof;
FIG. 7 is a right side view thereof;
FIG. 8 is a rear view thereof;
FIG. 9 is a top, rear perspective view thereof; and,
FIG. 10 is a bottom, rear perspective view thereof.

1 Claim, 10 Drawing Sheets



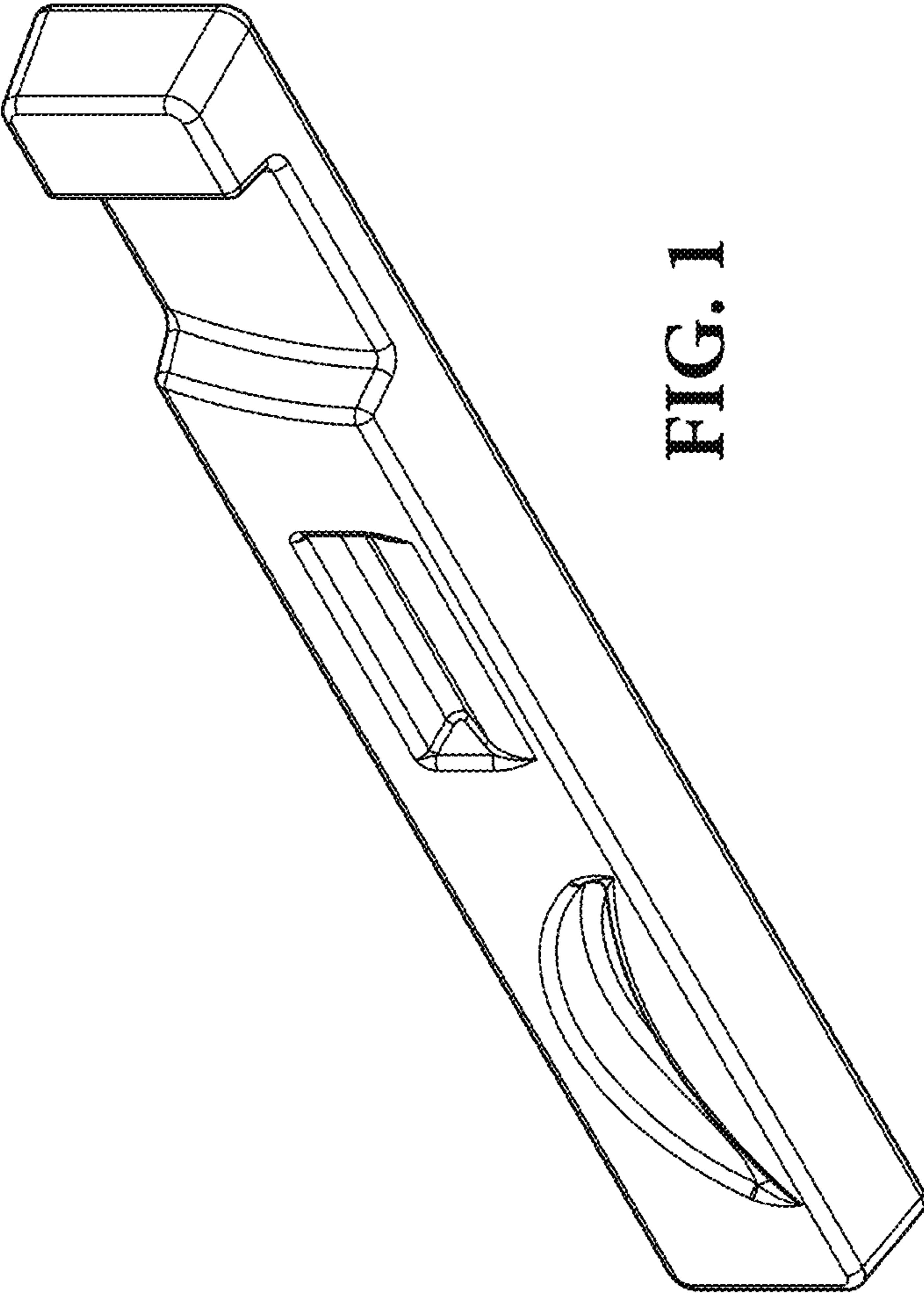


FIG. 1

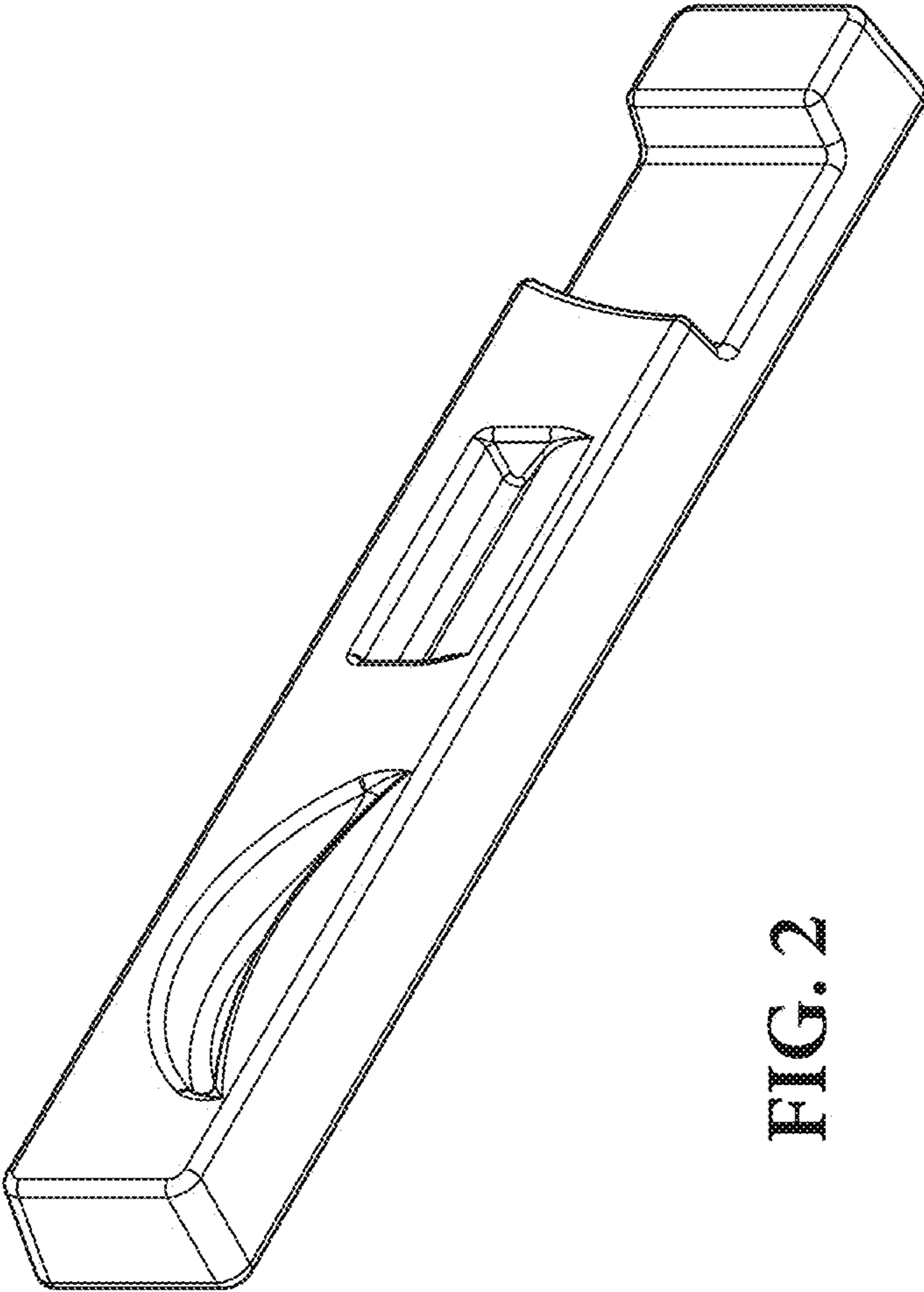


FIG. 2

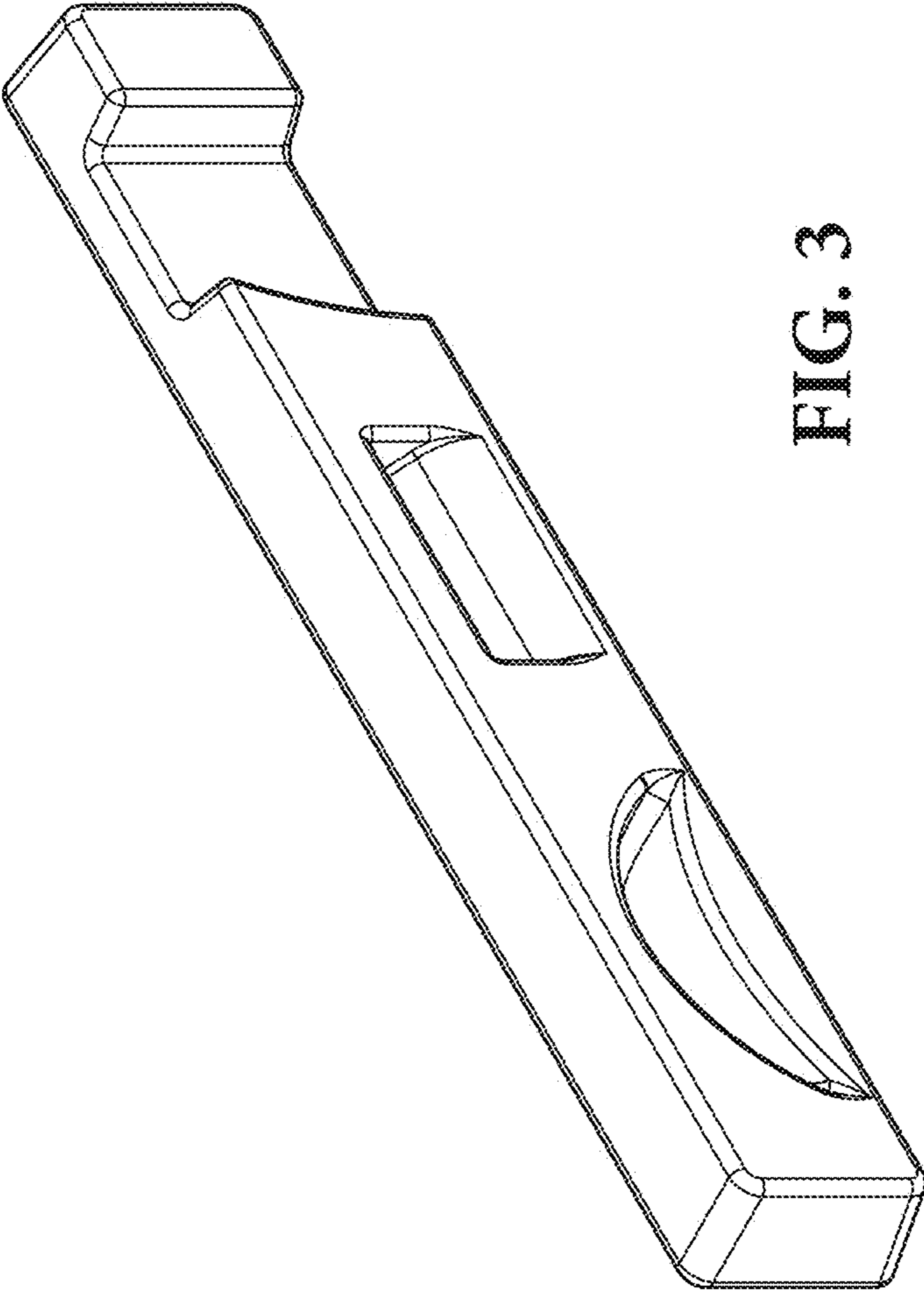


FIG. 3

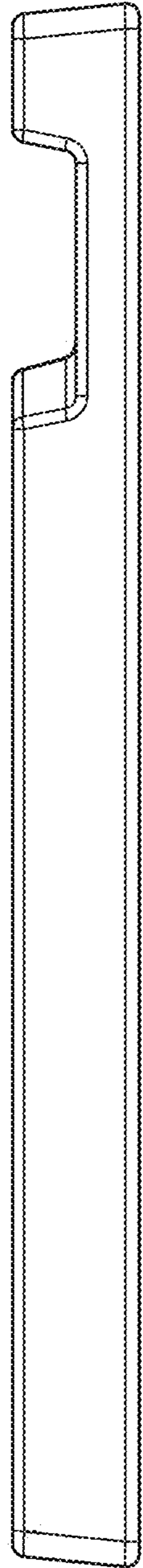


FIG. 4

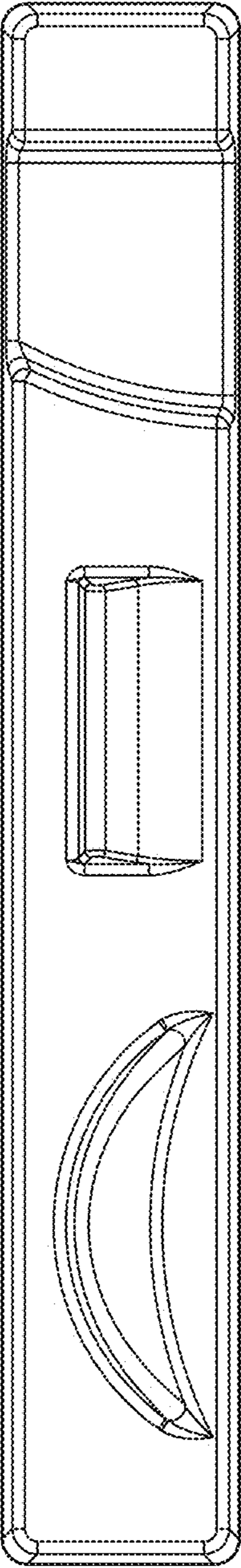


FIG. 5



FIG. 6



FIG. 7

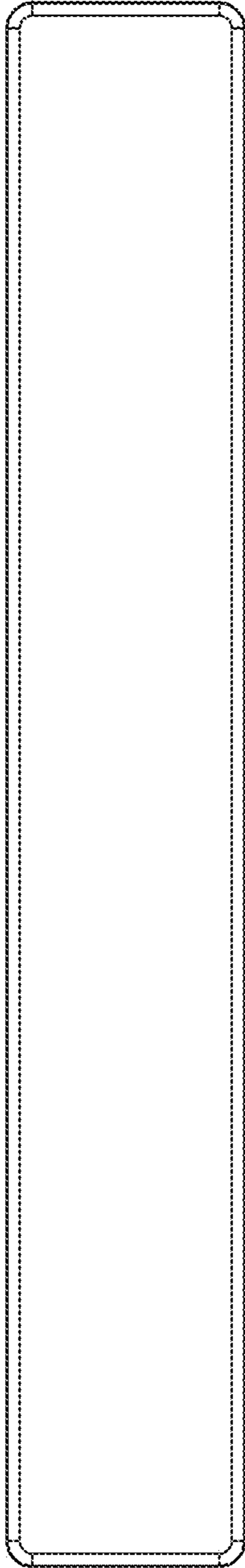


FIG. 8

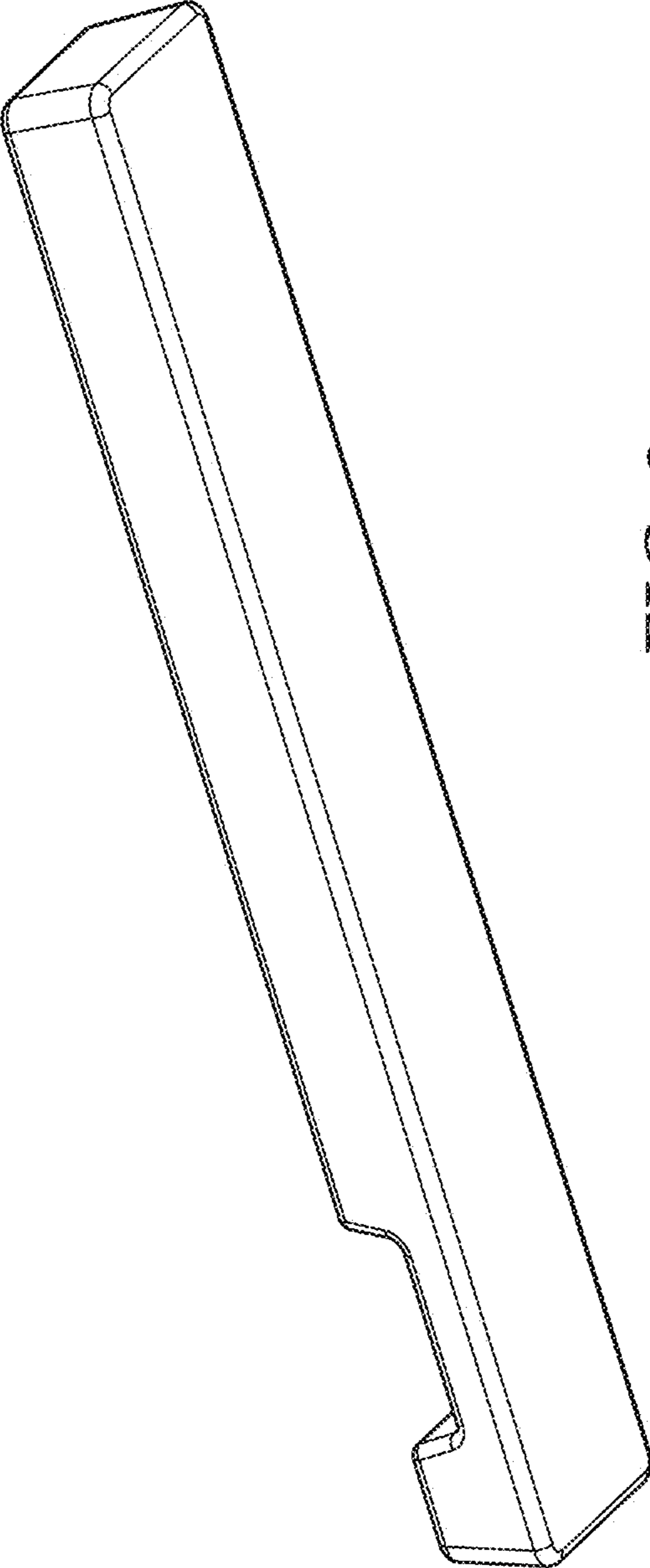


FIG. 9

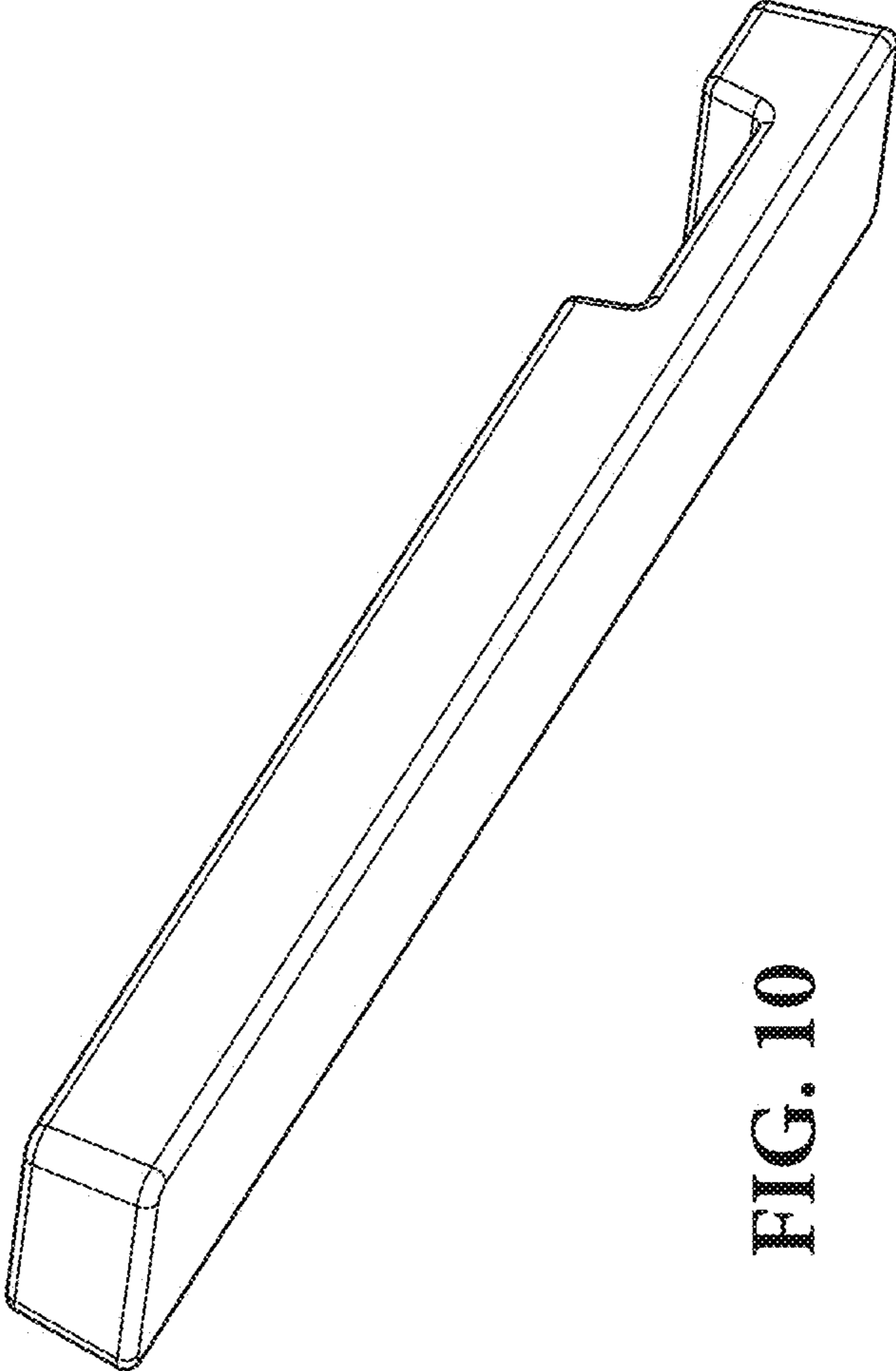


FIG. 10