



US00D914456S

(12) **United States Design Patent**
Lin

(10) **Patent No.:** **US D914,456 S**
(45) **Date of Patent:** **** Mar. 30, 2021**

(54) **WATER BOTTLE WITH STRAW AND SPRAY DEVICE**

(71) Applicant: **Yi Lin**, Hui'an (CN)

(72) Inventor: **Yi Lin**, Hui'an (CN)

(**) Term: **15 Years**

(21) Appl. No.: **29/749,925**

(22) Filed: **Sep. 10, 2020**

(51) **LOC (13) Cl.** **07-01**

(52) **U.S. Cl.**
USPC **D7/511**

(58) **Field of Classification Search**
USPC D7/510, 511, 608, 300.1, 591, 392.1,
D7/396.2, 529, 533-536; D9/516, 523,
D9/525, 527, 528
CPC A47G 19/22; A47G 19/2205; A47G
19/2222; A45F 3/16; B65D 41/04; B65D
43/02; B65D 47/066; B65D 47/08

See application file for complete search history.

(56) **References Cited**

U.S. PATENT DOCUMENTS

D437,212 S	2/2001	Adachi et al.	
D609,109 S	2/2010	Gieske et al.	
D648,631 S	11/2011	Smith	
D651,089 S	12/2011	Lee et al.	
D655,163 S	3/2012	Keny et al.	
D660,081 S *	5/2012	Gilbert	D7/509
D675,525 S	2/2013	Hanai et al.	
8,752,720 B1 *	6/2014	Habig	A47G 19/2266 215/306
D763,622 S *	8/2016	Shirley	D7/511
D772,652 S *	11/2016	Yao	D7/511
D791,542 S *	7/2017	Miksovsky	D7/510

D817,713 S *	5/2018	Lin	D7/510
D820,635 S *	6/2018	Hammer	D7/392.1
D835,938 S *	12/2018	Zou	D7/392.1
D850,207 S *	6/2019	Peng	D7/510
D856,749 S *	8/2019	Joseph	D7/394
D879,555 S *	3/2020	Wang	D7/510
D892,558 S *	8/2020	Wang	D7/510
D893,956 S *	8/2020	Wang	D7/536
D896,024 S *	9/2020	Wang	D7/392.1
D896,573 S *	9/2020	Wu	D7/392.1
D897,775 S *	10/2020	Wang	D7/510
D899,187 S *	10/2020	Wang	D7/510
D902,655 S *	11/2020	Wang	D7/510
2019/0021529 A1 *	1/2019	Schucker	A47G 19/2227

* cited by examiner

Primary Examiner — Susan E Krakower

Assistant Examiner — Andrew Kerr

(74) *Attorney, Agent, or Firm* — Rumit Ranjit Kanakia

(57) **CLAIM**

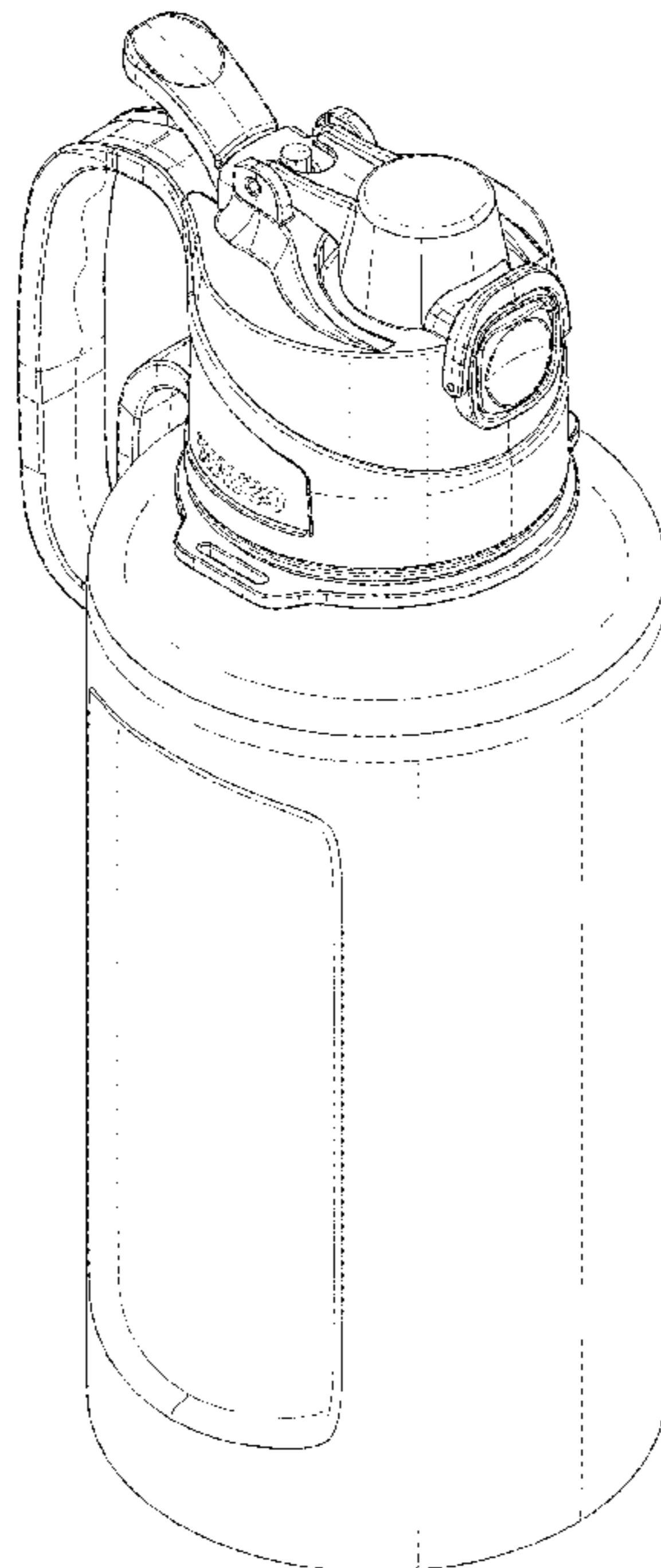
I claim the ornamental design for a water bottle with straw and spray device, as shown and described.

DESCRIPTION

FIG. 1 is a Perspective view of a water bottle with straw and spray device showing my new design;
FIG. 2 is Back perspective view thereof;
FIG. 3 is a Front view thereof;
FIG. 4 is a Back view thereof;
FIG. 5 is a Left-side view thereof;
FIG. 6 is a Right-side view thereof;
FIG. 7 is a Top view thereof; and,
FIG. 8 is a Bottom view thereof.

The broken lines are for the purpose of illustrating portions of the article that form no part of the claim.

1 Claim, 7 Drawing Sheets



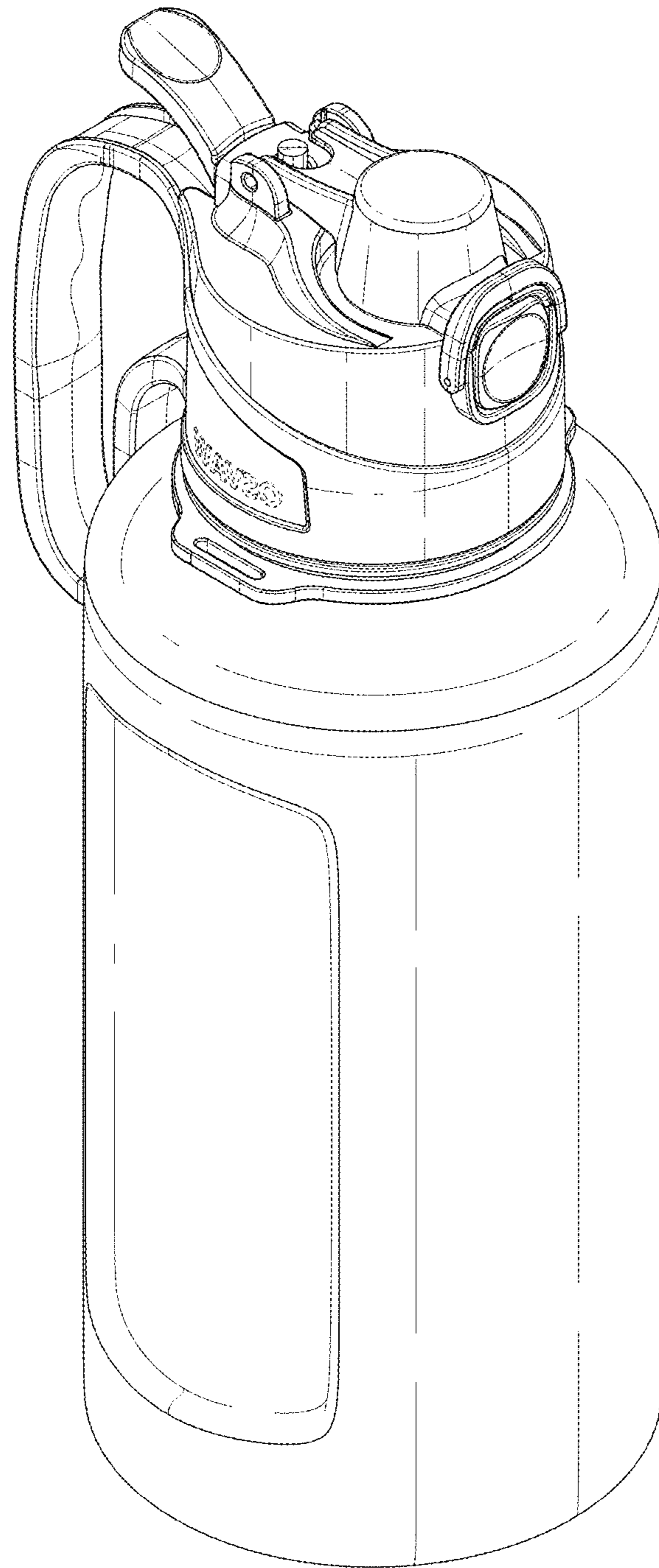


FIG. 1

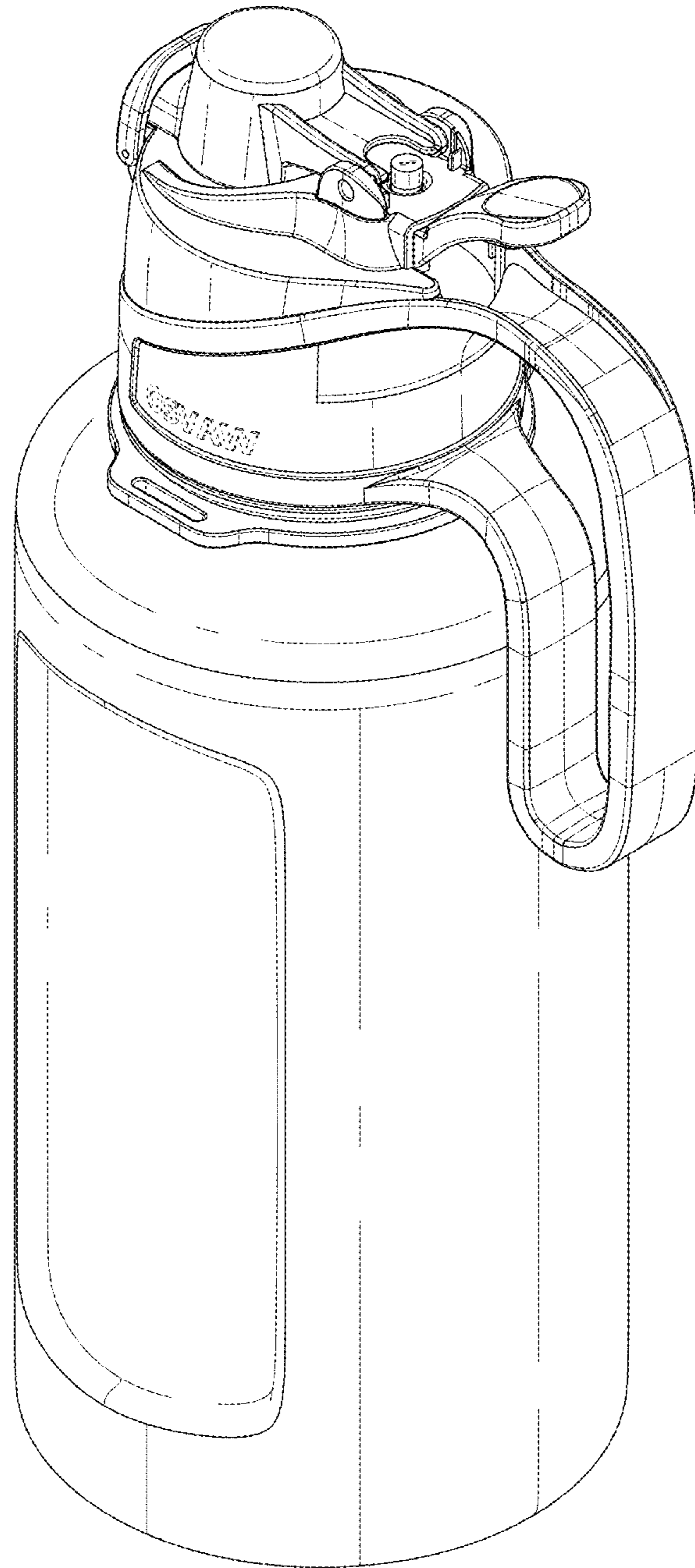


FIG. 2

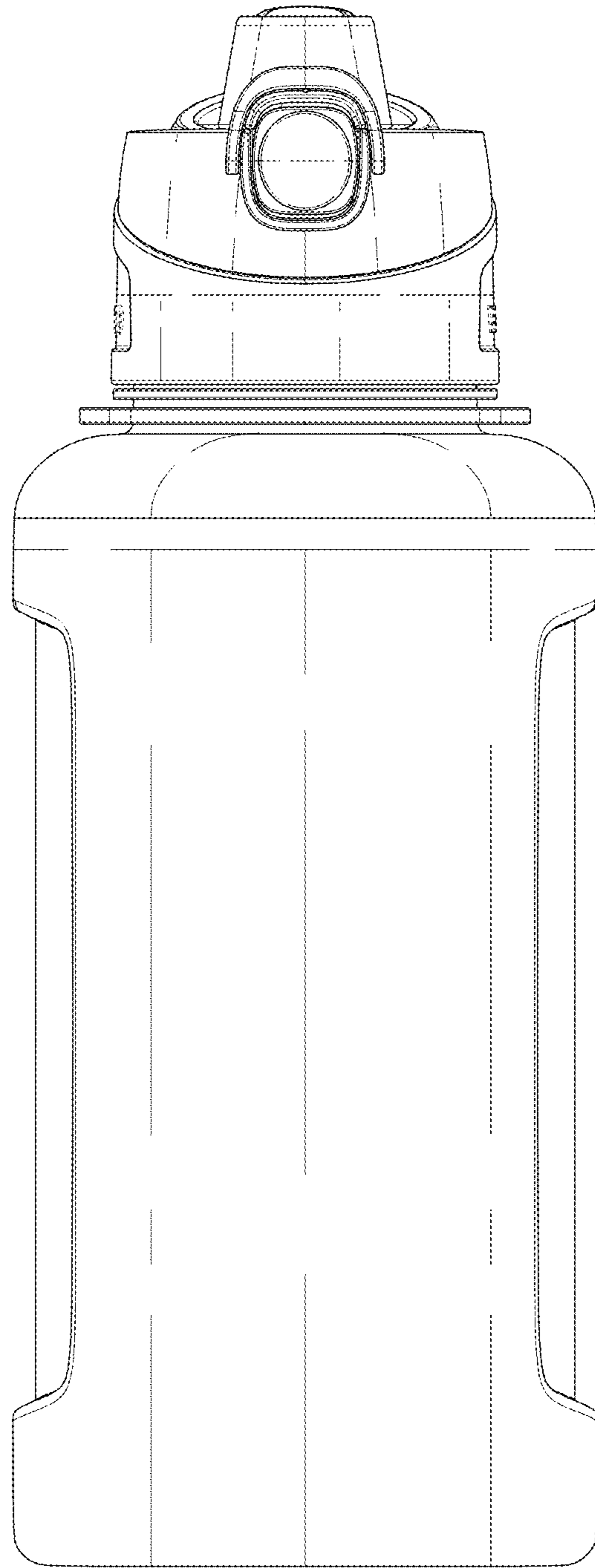


FIG. 3

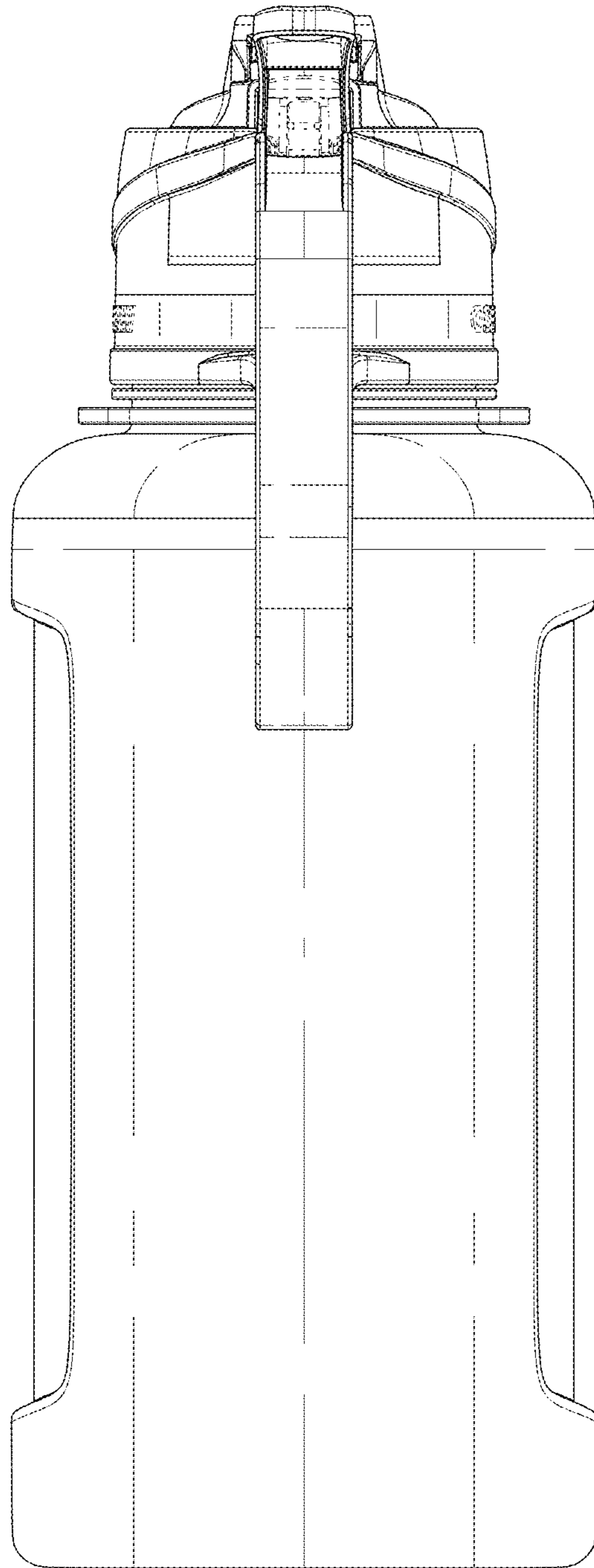


FIG. 4

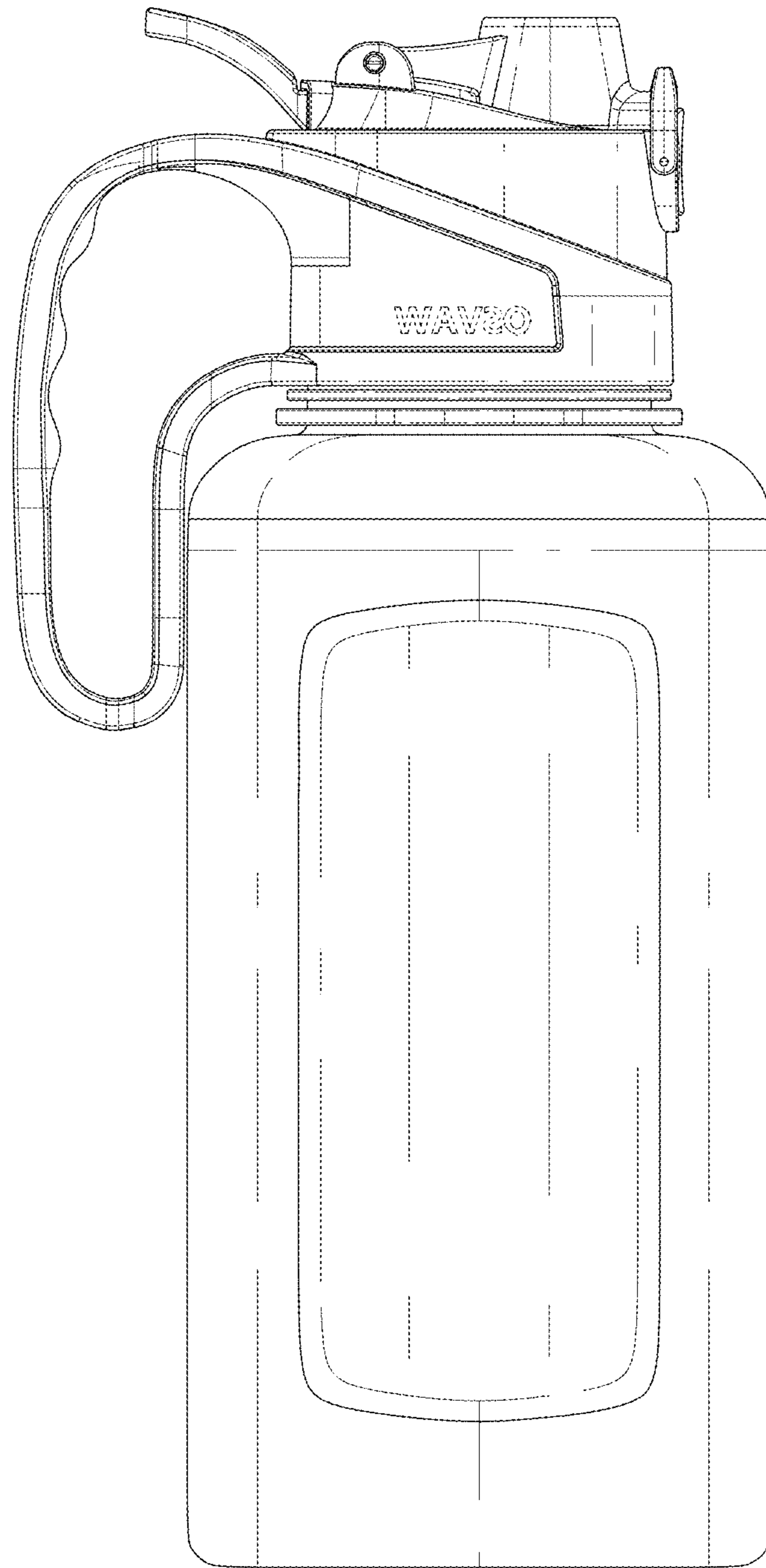


FIG. 5

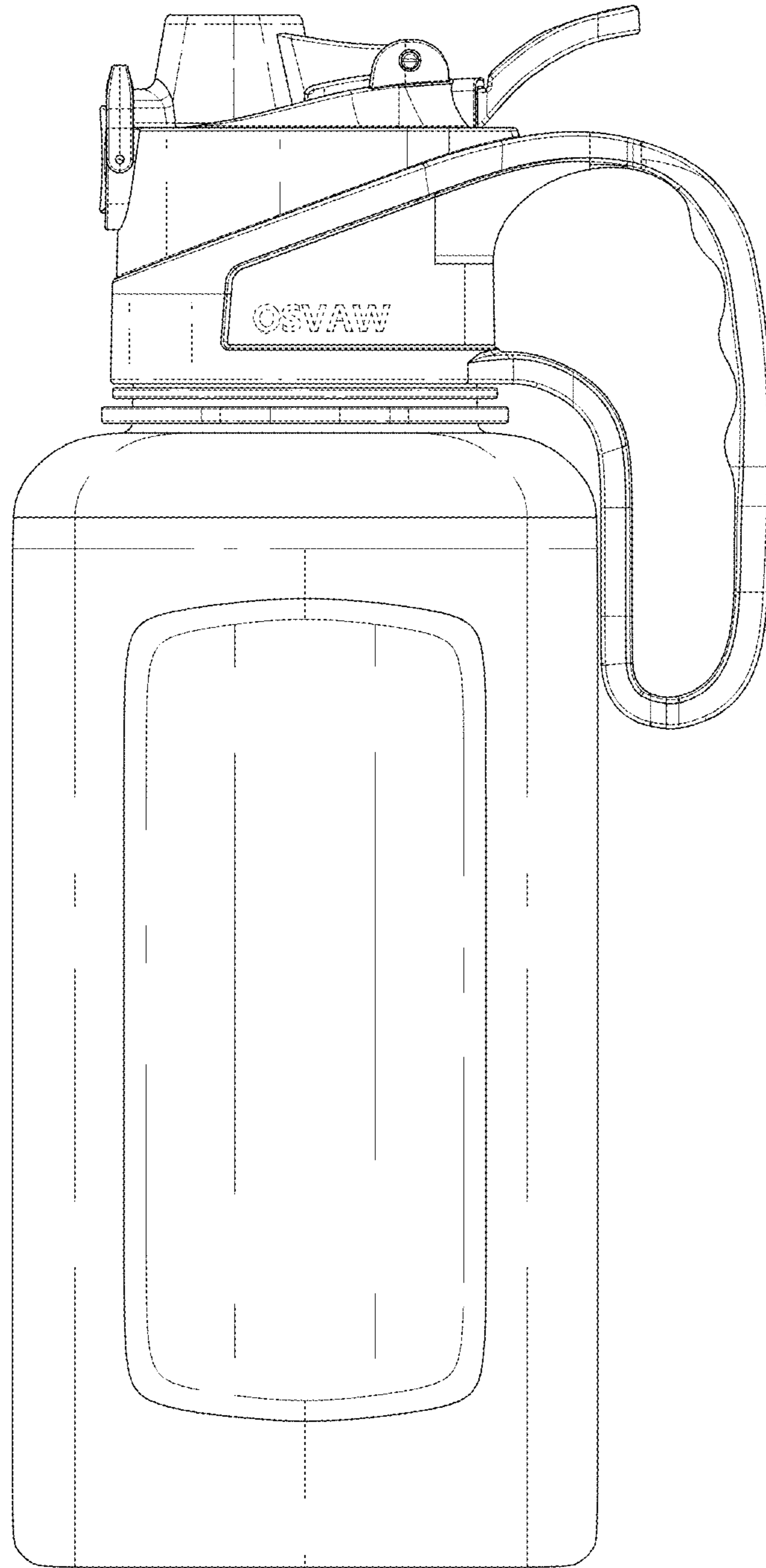


FIG. 6

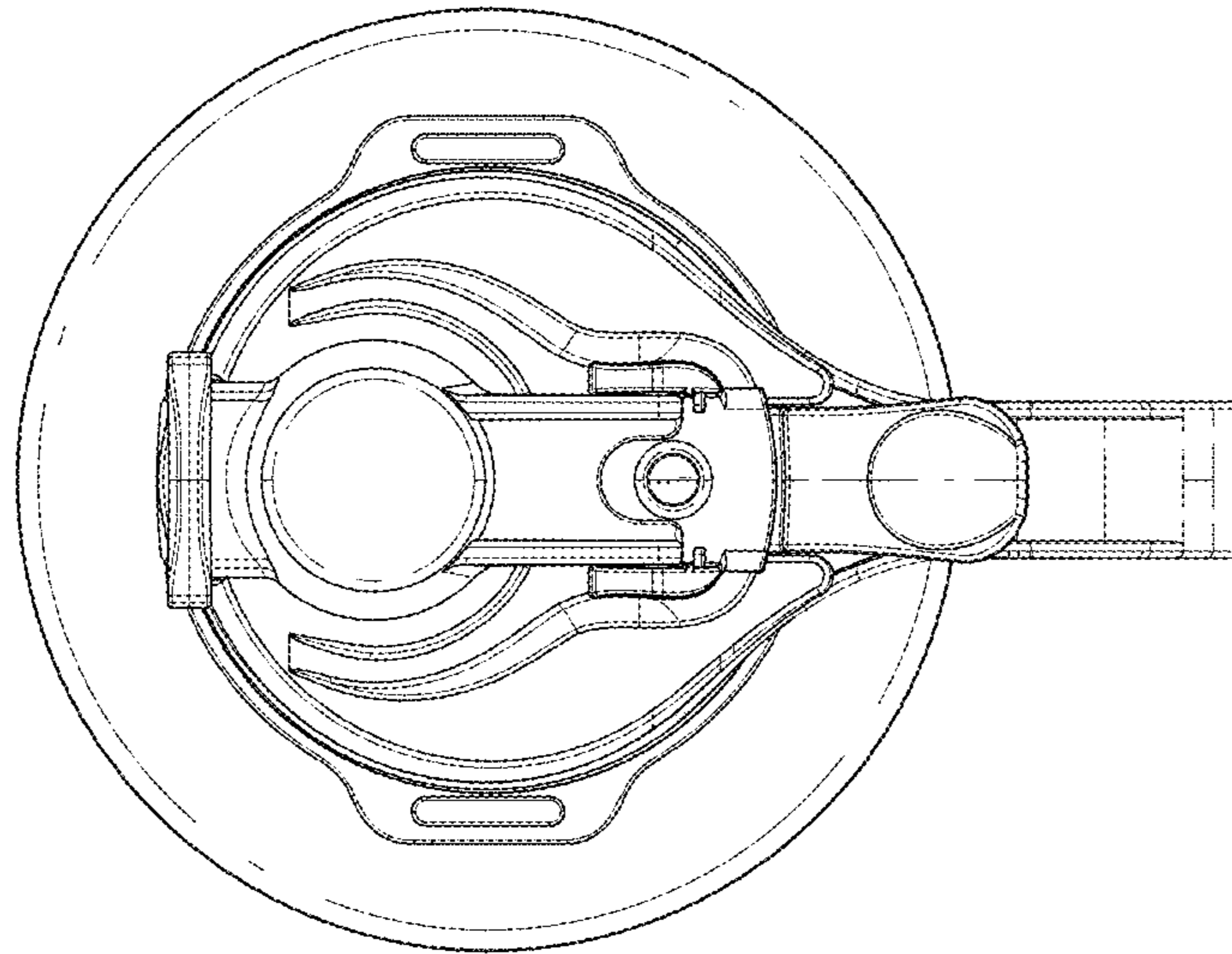


FIG. 7

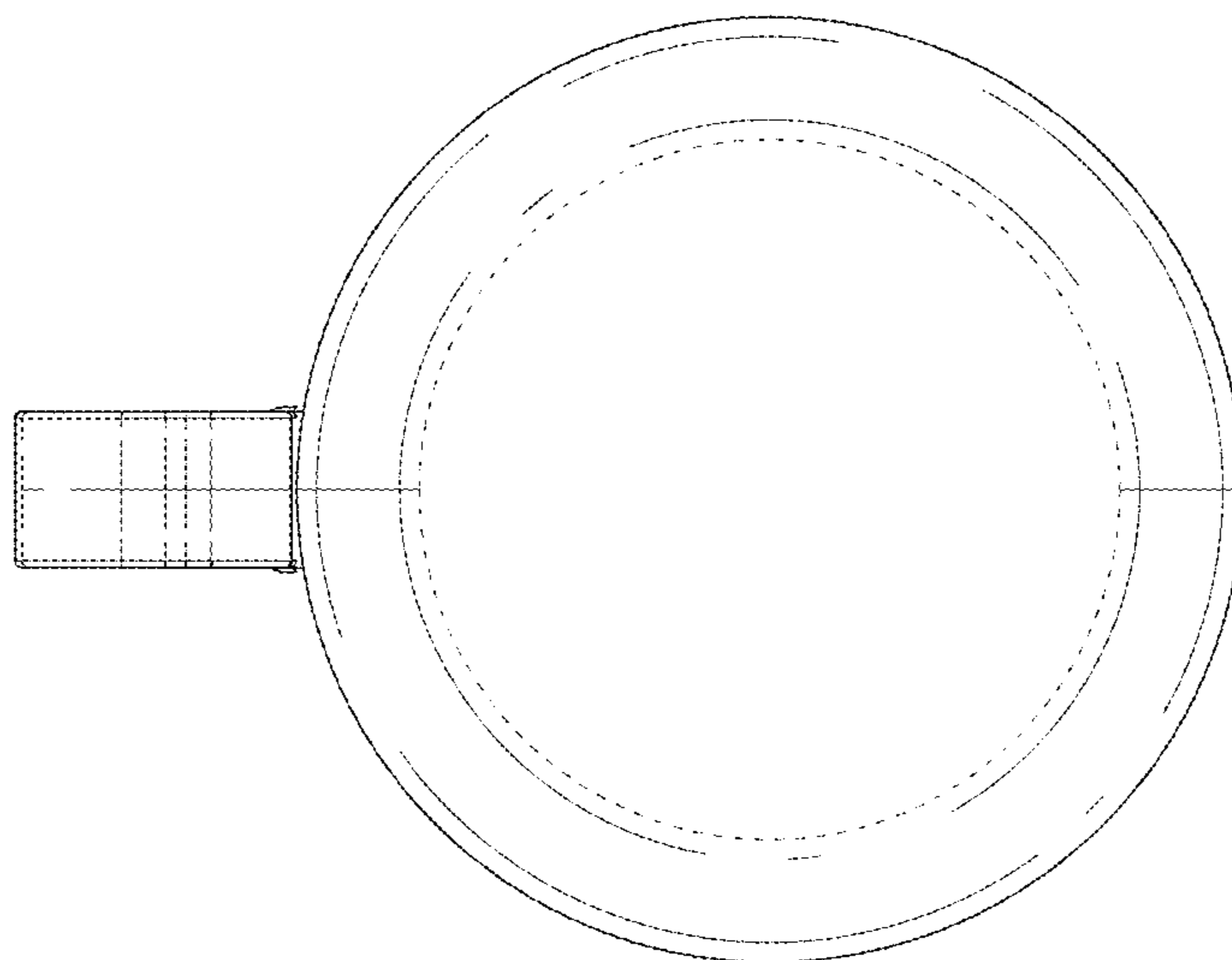


FIG. 8