



US00D914455S

(12) **United States Design Patent** (10) **Patent No.:** **US D914,455 S**  
**Haskins** (45) **Date of Patent:** **\*\* Mar. 30, 2021**

(54) **TUMBLER**

D648,177 S 11/2011 Eyal  
D672,238 S 12/2012 Aziz et al.  
D672,609 S 12/2012 Aziz et al.  
(Continued)

(71) Applicant: **REAL VALUE LLC**, Norman, OK (US)

FOREIGN PATENT DOCUMENTS

(72) Inventor: **Nathaniel Haskins**, Oklahoma City, OK (US)

EM 006624193-0001 \* 7/2019

(73) Assignee: **Real Value LLC**, Moore, OK (US)

OTHER PUBLICATIONS

(\*\*) Term: **15 Years**

Grace, Dec. 13, 2019, Amazon.com Product Review post, URL:https://www.amazon.com/Simple-Modern-Voyager-Travel-Tumbler/dp/B07SRK9VYS/ref=sr\_1\_1\_sspa?dchild=1&keywords=VOYAGER%2BTRAVEL%2BMUG&qid=1602616737&sr=8-1-spons&spLa=ZW5jcnlwdGVkUXVhbGlmaWVyPUEyNzIhVHVpaUUxLSUoxJmVuY3J5cHRlZiEiPUEwMTU (Year: 2019).\*

(21) Appl. No.: **29/701,013**

(Continued)

(22) Filed: **Aug. 7, 2019**

(51) **LOC (13) Cl.** ..... **09-01**

(52) **U.S. Cl.**  
USPC ..... **D7/510; D7/511; D7/523**

(58) **Field of Classification Search**  
USPC ..... D9/414, 418, 422, 423, 424, 428, 516, D9/531, 540, 548, 549, 721, 500-504, D9/558, 573-575, 688, 689, 690, 691; D7/507-511, 523; D6/677; D3/203.1, D3/203.5  
CPC ..... B65D 25/54; B65D 25/106; B65D 25/22; B65D 51/24; B65D 51/245; B65D 1/0246; B65D 1/0207; B65D 2543/00046; B65D 2543/00092; B65D 81/3869; A47F 7/286; Y10S 220/906; B21D 51/2615; A47G 19/2272; A47G 19/2288; A47G 19/2205

*Primary Examiner* — Brett Miller  
*Assistant Examiner* — Rani J Abdallah  
(74) *Attorney, Agent, or Firm* — Hall Estill Law Firm

See application file for complete search history.

(57) **CLAIM**

The ornamental design for a tumbler, as shown and described.

**DESCRIPTION**

FIG. 1 is a top, perspective view showing a first embodiment of my new design for a tumbler.  
FIG. 2 is a bottom, perspective view of FIG. 1.  
FIG. 3 is a front side elevation view of FIG. 1.  
FIG. 4 is a rear side elevation view of view of FIG. 1.  
FIG. 5 is a left side elevation view of FIG. 1.  
FIG. 6 is right side elevation view of FIG. 1.  
FIG. 7 is a top view of FIG. 1.  
FIG. 8 is a bottom view of FIG. 1.  
FIG. 9 is a left side elevation view showing a second embodiment of my new design for a tumbler.  
FIG. 10 is a left side elevation view showing a third embodiment of my new design for a tumbler; and,

(Continued)

(56) **References Cited**

U.S. PATENT DOCUMENTS

D490,274 S \* 5/2004 Irvine ..... D7/523  
D553,909 S \* 10/2007 Bodum ..... D7/500  
D559,493 S \* 1/2008 Dretzka ..... D7/523  
D599,169 S \* 9/2009 Stalions ..... D7/510  
D599,208 S \* 9/2009 Kissinger ..... D9/516  
D618,964 S \* 7/2010 Eisenhardt ..... D7/523  
D620,357 S 7/2010 Jewett et al.  
D623,017 S \* 9/2010 George ..... D7/510  
D632,132 S \* 2/2011 George ..... D7/510

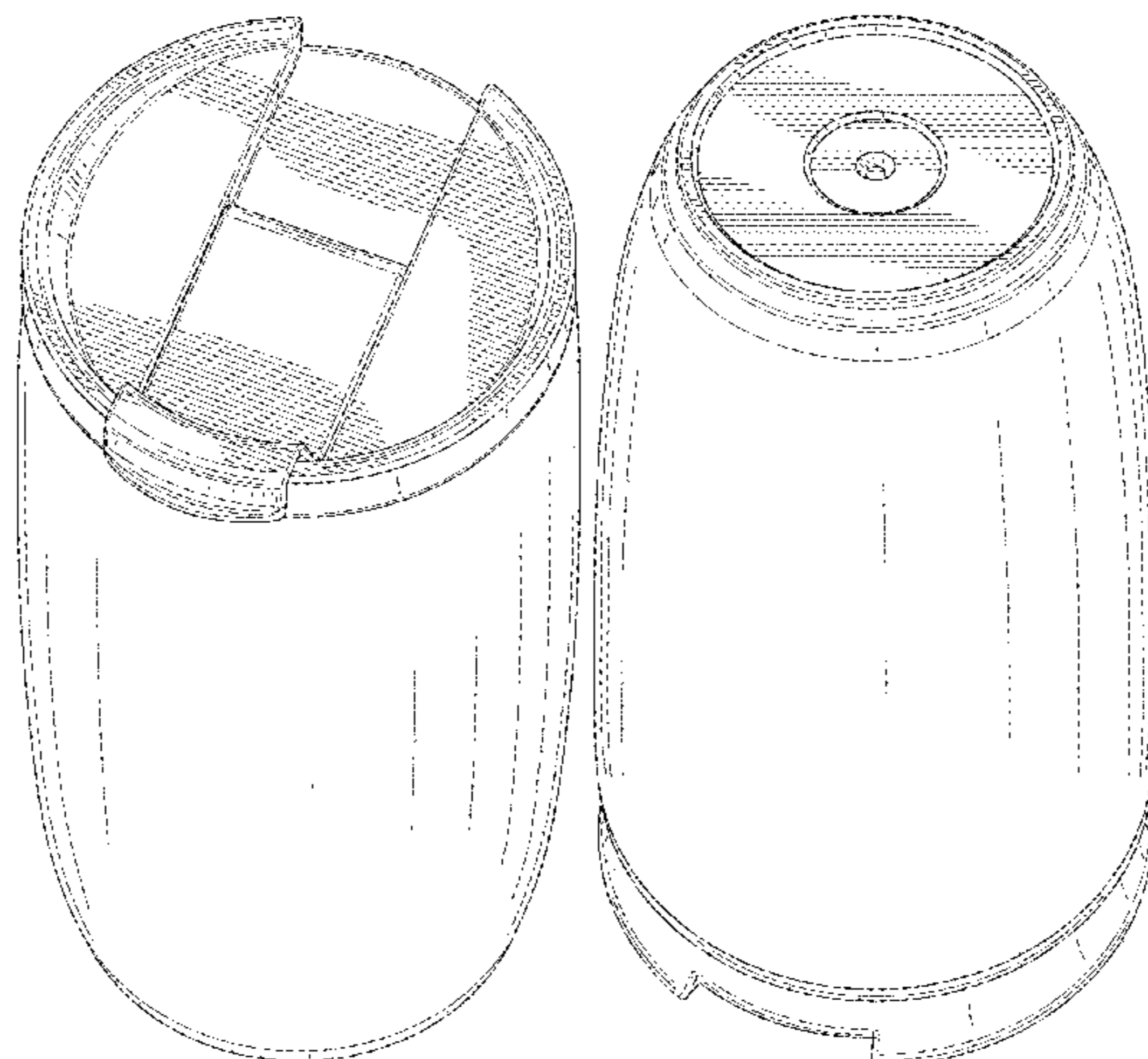


FIG. 11 is a left side elevation view showing a fourth embodiment of my new design for a tumbler.

**1 Claim, 11 Drawing Sheets**

|            |   |         |               |        |
|------------|---|---------|---------------|--------|
| D817,094 S | * | 5/2018  | Silsby .....  | D7/510 |
| D822,439 S |   | 7/2018  | Spivey et al. |        |
| D836,395 S | * | 12/2018 | Seiders ..... | D7/510 |
| D844,382 S | * | 4/2019  | Seiders ..... | D7/510 |
| D844,383 S | * | 4/2019  | Seiders ..... | D7/510 |

OTHER PUBLICATIONS

(56)

**References Cited**

U.S. PATENT DOCUMENTS

|            |   |         |                |        |
|------------|---|---------|----------------|--------|
| D700,012 S |   | 2/2014  | Hurley et al.  |        |
| D715,100 S | * | 10/2014 | Eyal .....     | D7/510 |
| D721,540 S | * | 1/2015  | Grcic .....    | D7/511 |
| D723,333 S |   | 3/2015  | Lin            |        |
| D724,385 S |   | 3/2015  | Hurley et al.  |        |
| D742,176 S | * | 11/2015 | Thun .....     | D7/523 |
| D743,208 S | * | 11/2015 | Thun .....     | D7/523 |
| D787,935 S |   | 5/2017  | Kaiser         |        |
| D790,920 S |   | 7/2017  | Goodwin et al. |        |
| D791,579 S |   | 7/2017  | Perry et al.   |        |
| D792,155 S | * | 7/2017  | Stover .....   | D7/510 |
| D808,220 S |   | 1/2018  | Burns et al.   |        |
| D809,920 S |   | 2/2018  | Maple          |        |
| D810,504 S |   | 2/2018  | Goodwin et al. |        |
| D811,818 S |   | 3/2018  | Wu             |        |
| D812,428 S |   | 3/2018  | Wu             |        |
| D815,908 S |   | 4/2018  | Kauss et al.   |        |
| D817,093 S | * | 5/2018  | Silsby .....   | D7/510 |

Mallikarjun: Flexible and convenient, Jul. 5, 2019, Amazon.com Product Review pos, URL: [https://www.amazon.com/Jura-Tumbler-Double-Stainless-Installation/dp/B07MJR3P1H/ref=sxin\\_9\\_ac\\_d\\_rm?ac\\_md=1-1-dHJhdmVsIG11Zw%3D%3D-ac\\_d\\_rm&cv\\_ct\\_cx=travel+coffee+mug&dchild=1&keywords=travel+coffee+mug&pd\\_rd\\_i=B07MJR3P1](https://www.amazon.com/Jura-Tumbler-Double-Stainless-Installation/dp/B07MJR3P1H/ref=sxin_9_ac_d_rm?ac_md=1-1-dHJhdmVsIG11Zw%3D%3D-ac_d_rm&cv_ct_cx=travel+coffee+mug&dchild=1&keywords=travel+coffee+mug&pd_rd_i=B07MJR3P1) (Year: 2019).\*

Venus, Jul. 31, 2019, Amazon.com Product Review post, Amazon.com, URL: [https://www.amazon.com/SUNWILL-Tumbler-Stainless-Insulated-Durable/product-reviews/B07Q2CQBB4/ref=cm\\_cr\\_getr\\_d\\_paging\\_btm\\_next\\_5?ie=UTF8&reviewerType=all\\_reviews&mediaType=media\\_reviews\\_only&pageNumber=5&sortBy=recent](https://www.amazon.com/SUNWILL-Tumbler-Stainless-Insulated-Durable/product-reviews/B07Q2CQBB4/ref=cm_cr_getr_d_paging_btm_next_5?ie=UTF8&reviewerType=all_reviews&mediaType=media_reviews_only&pageNumber=5&sortBy=recent) (Year: 2019).\*

Bison Coolers: Ray, Jun. 12, 2019, Bison Coolers Facebook Product Image, URL: <https://www.facebook.com/BisonCoolers/photos/a.260935620605540/2524262160939530/?type=3&theater> (Year: 2019).\*

Davids Tea, Jul. 2, 2019, Davids Tea Facebook Product Image, URL: <https://www.facebook.com/DAVIDsTEA/photos/a.6042844790910157358607512910/?type=3&theater> (Year: 2019).\*

\* cited by examiner

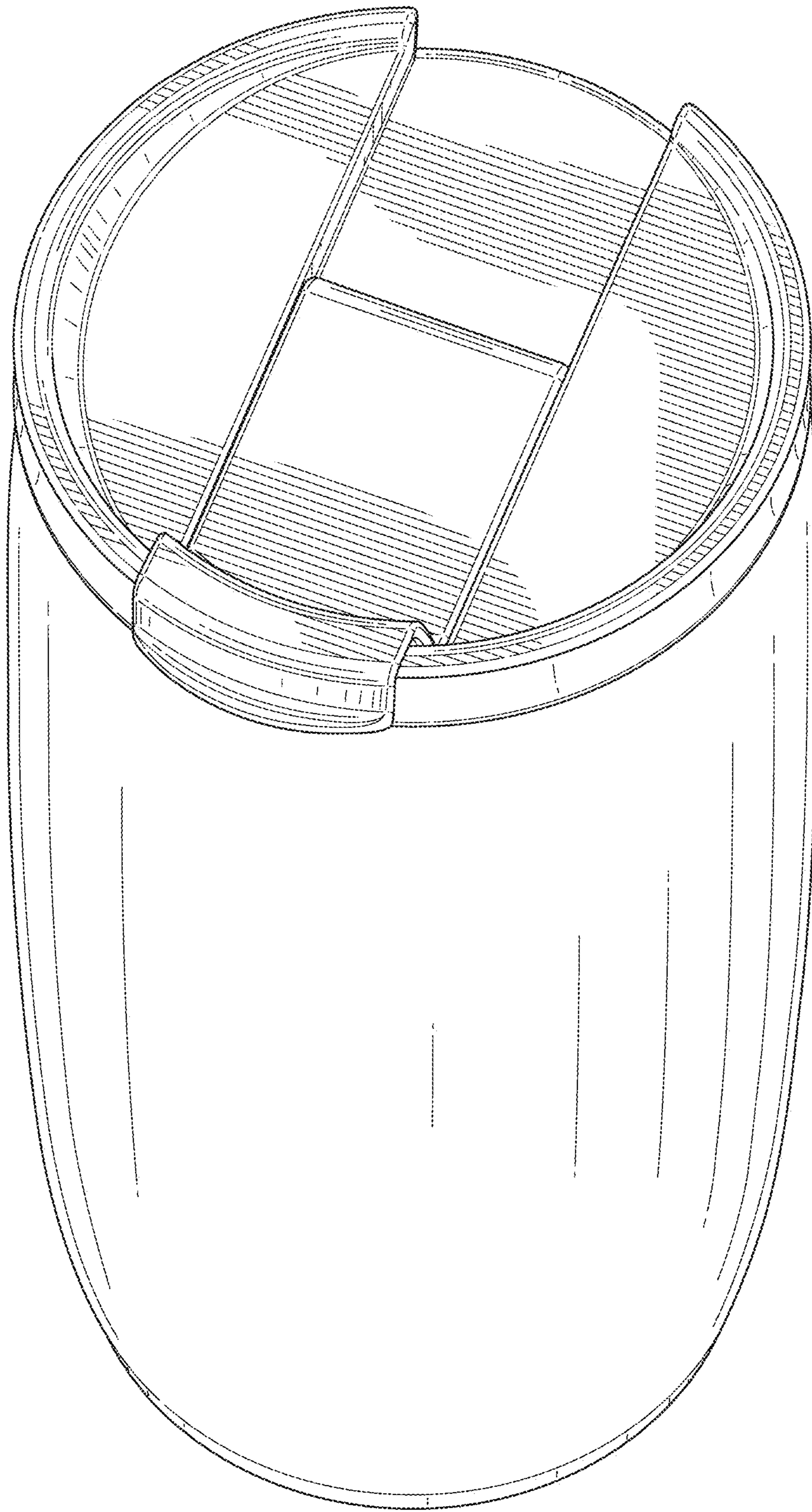


FIG. 1

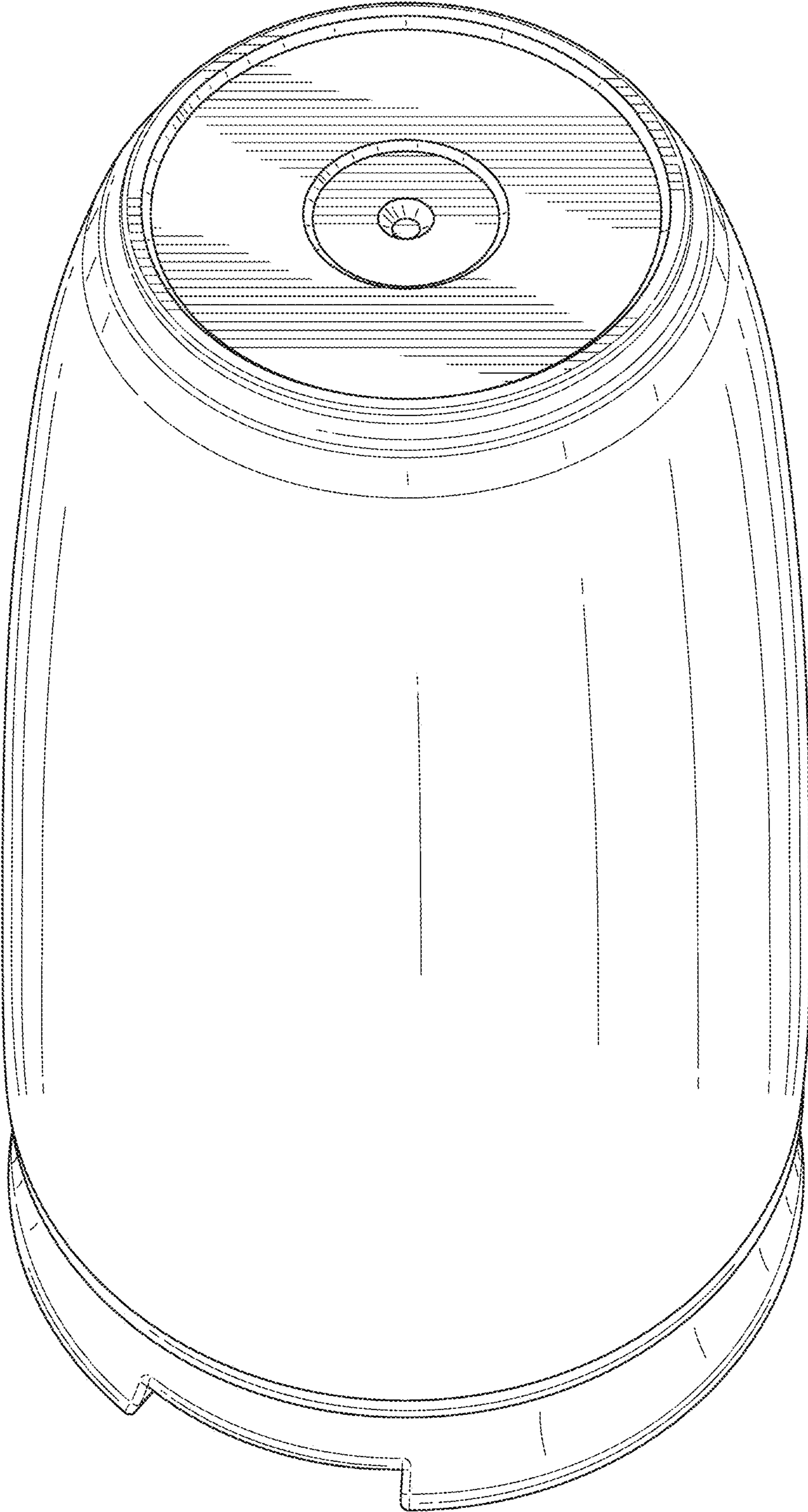


FIG. 2

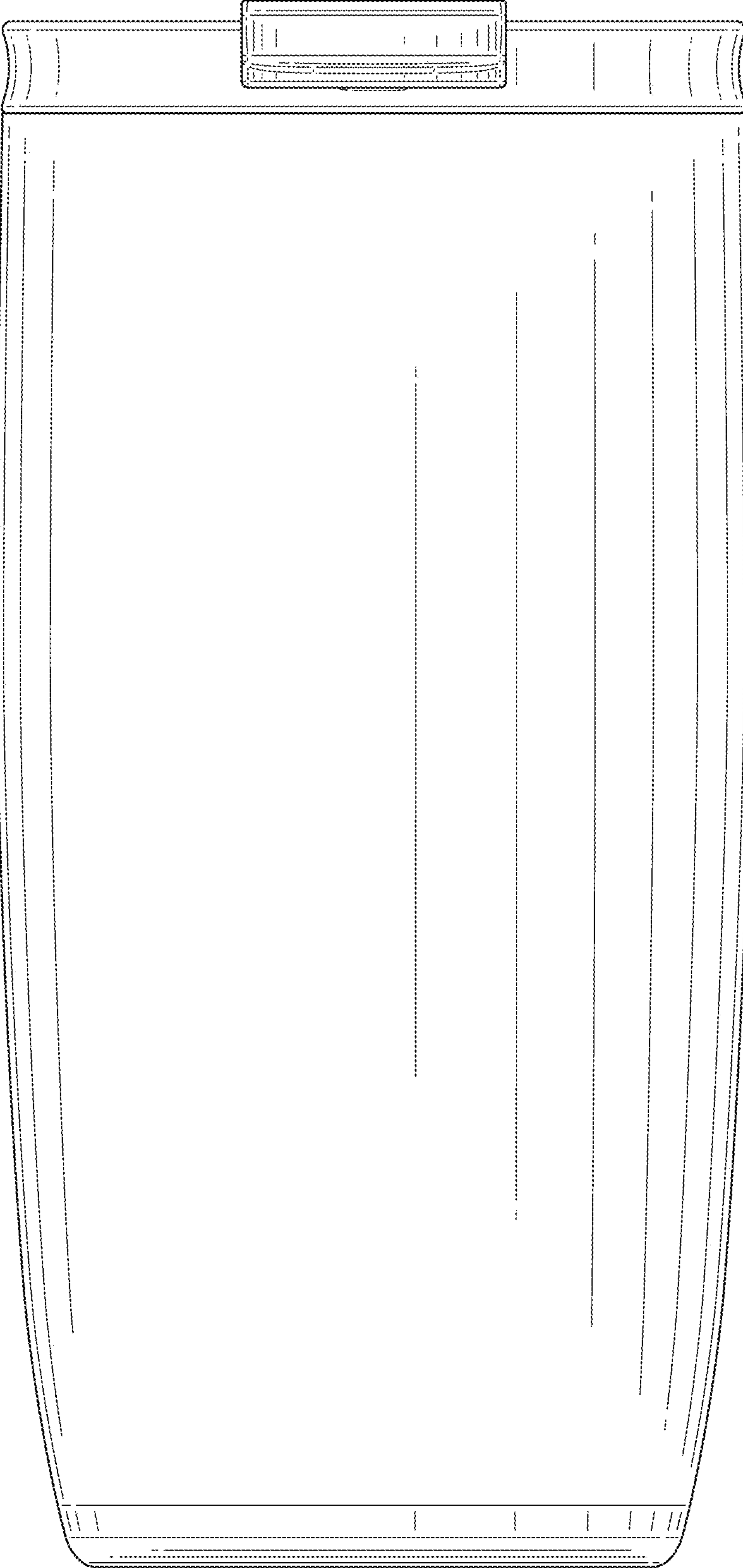


FIG. 3

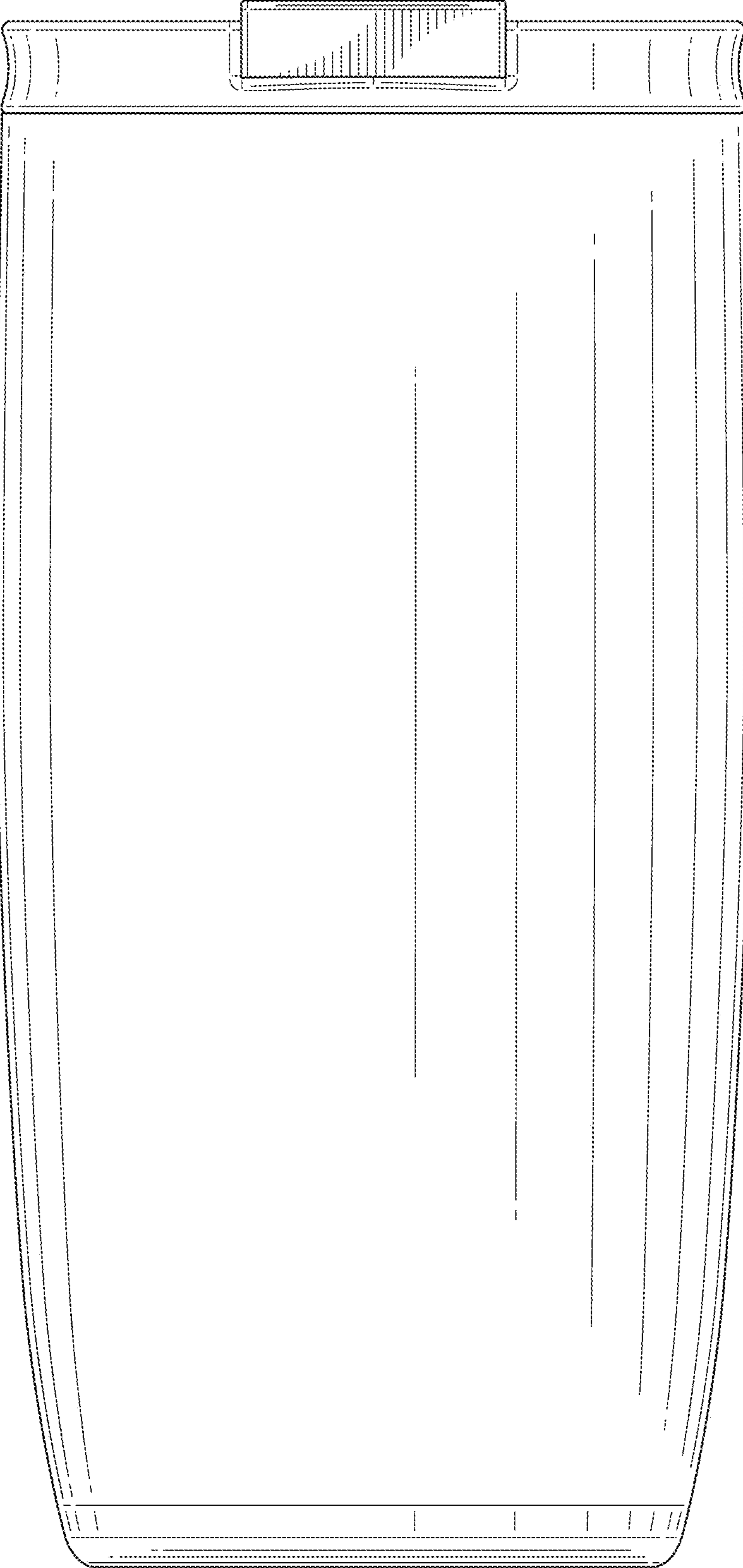


FIG. 4

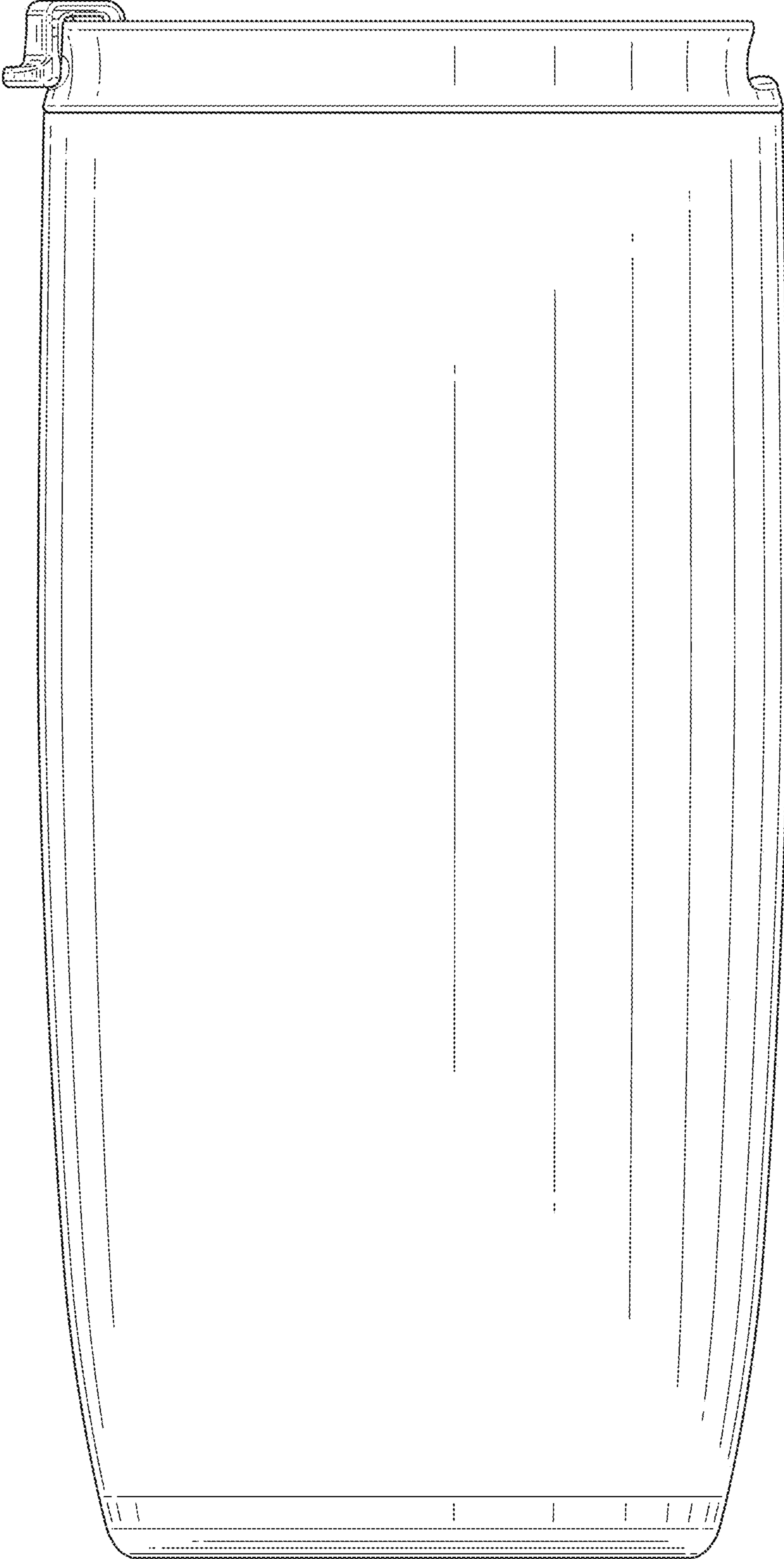


FIG. 5

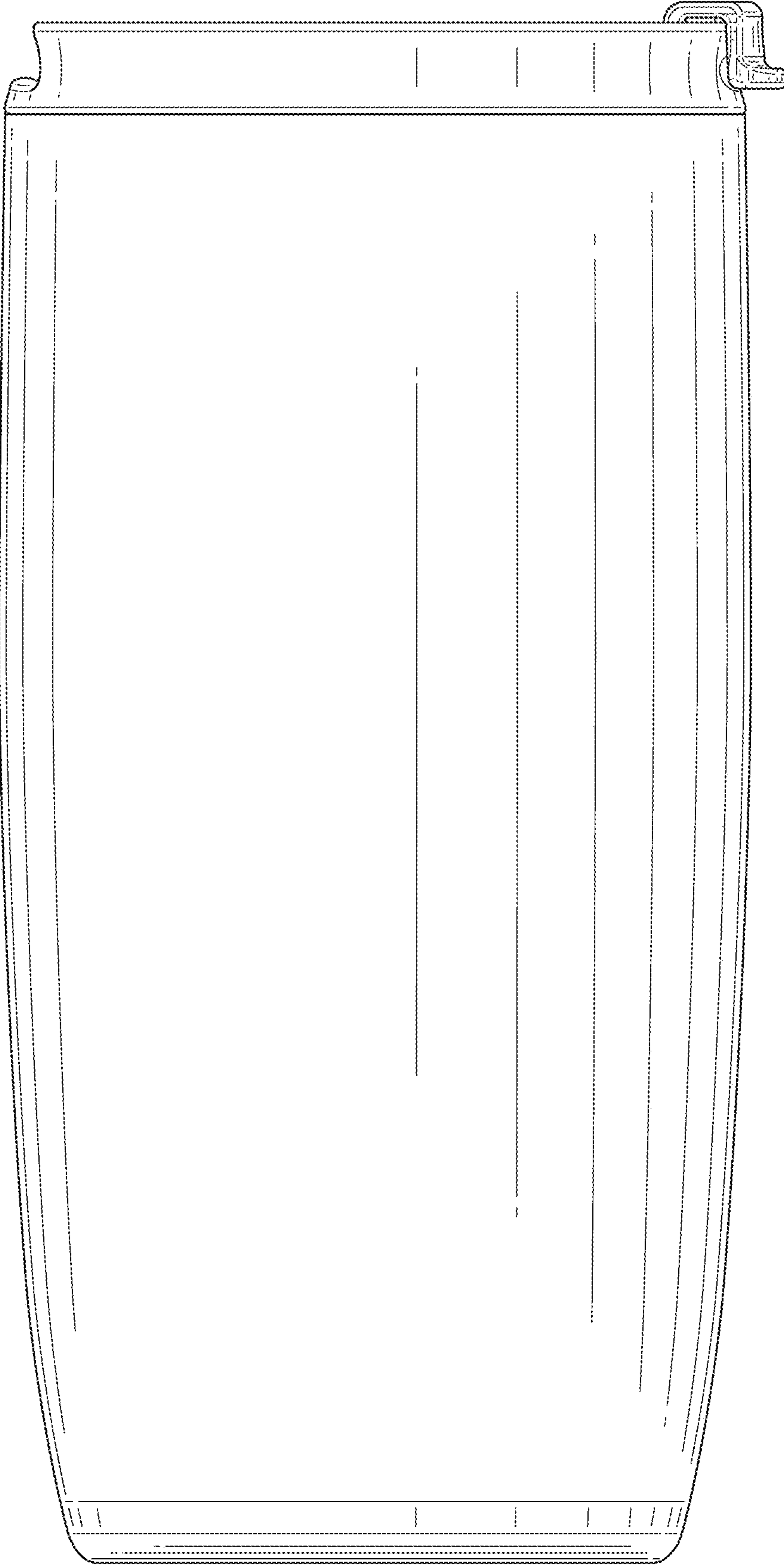


FIG. 6



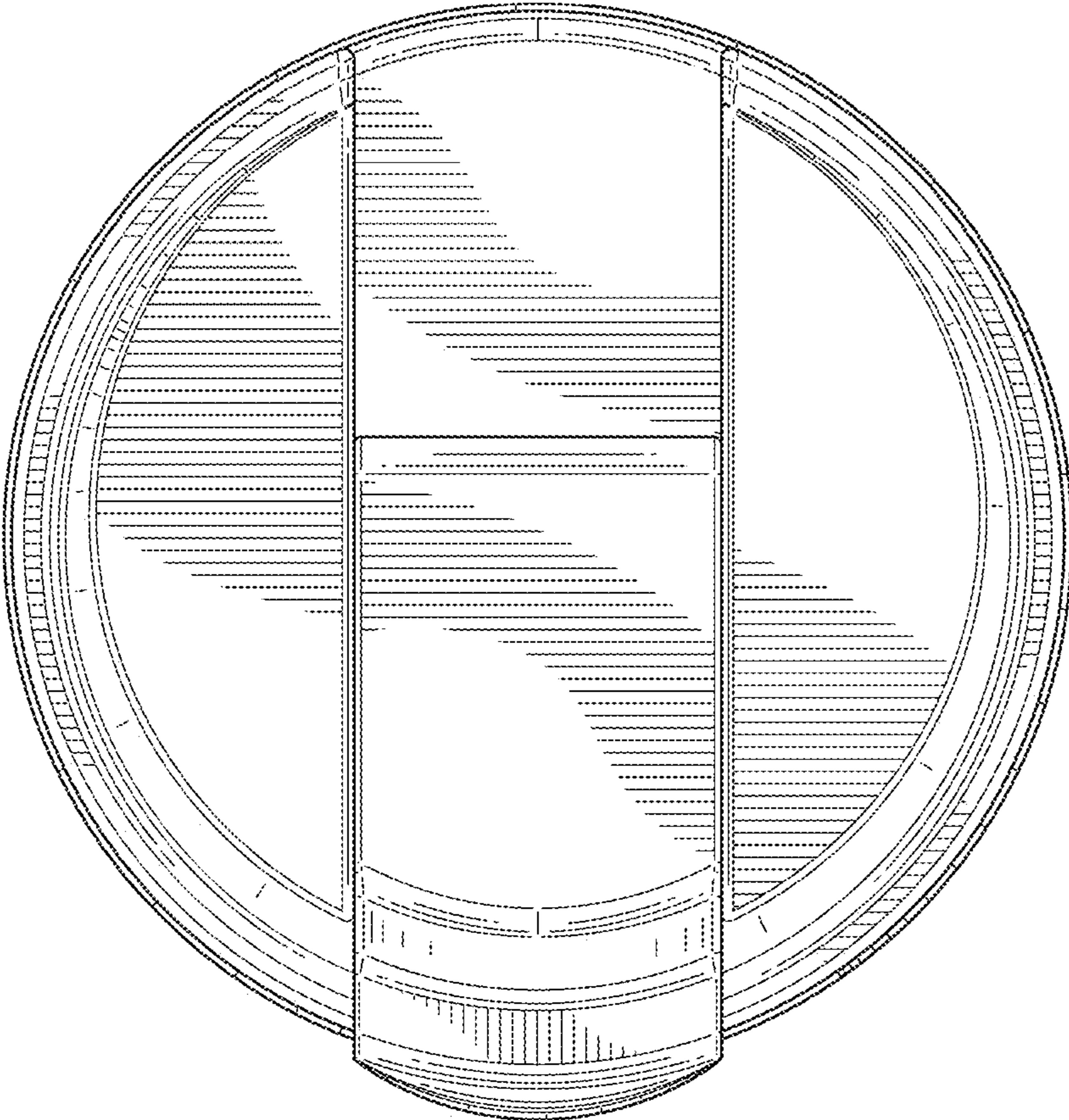


FIG. 7

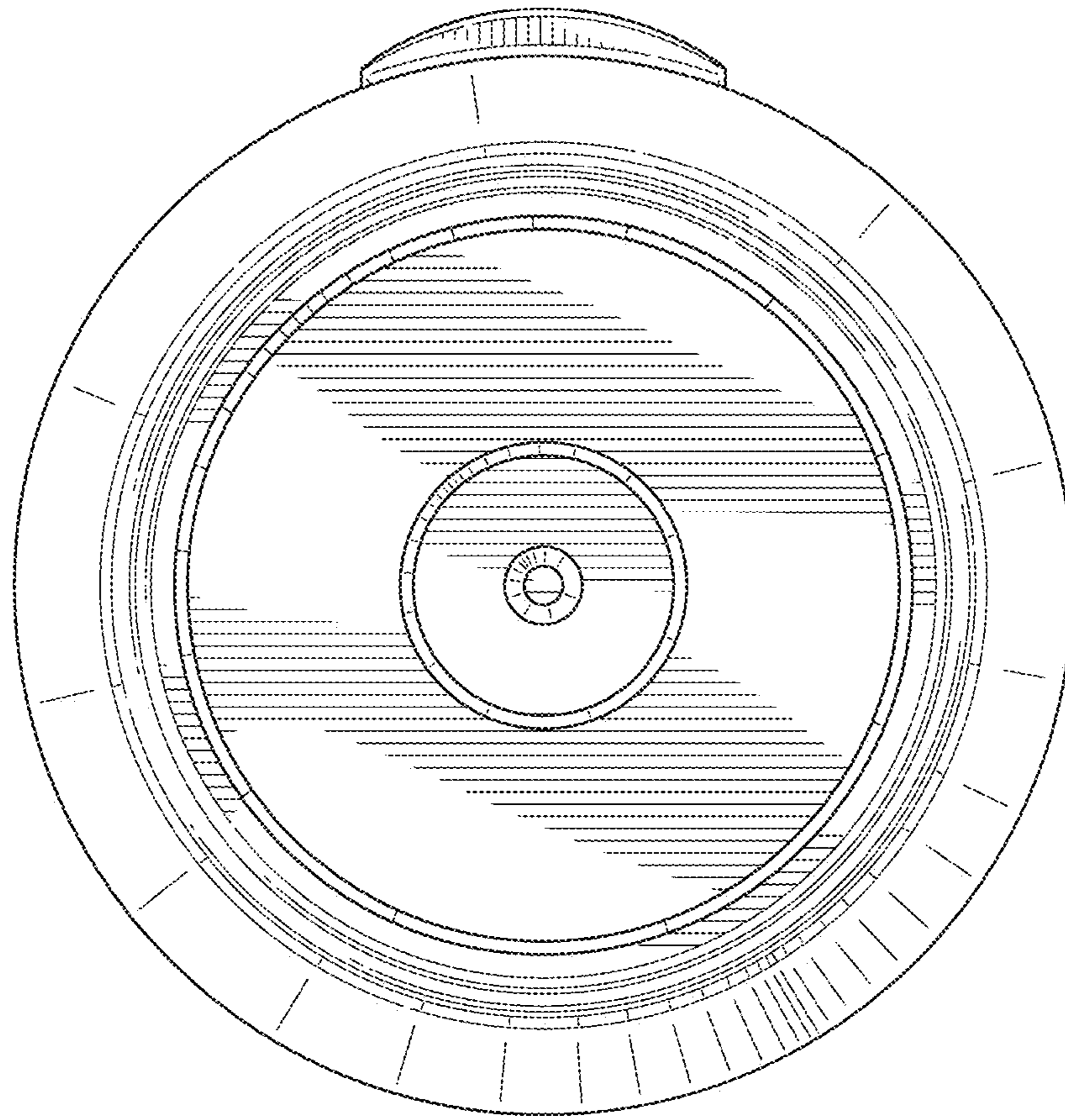


FIG. 8



FIG. 9



FIG. 10

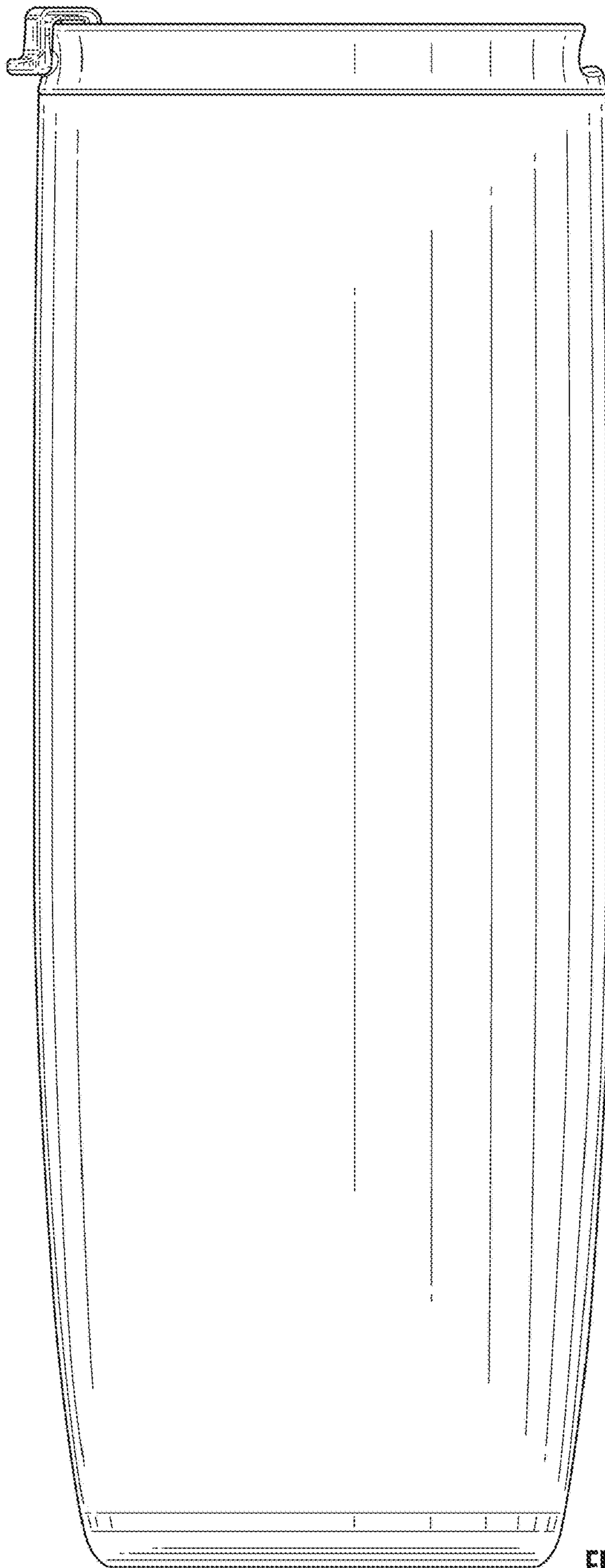


FIG. 11