



US00D914454S

(12) **United States Design Patent** (10) **Patent No.:** **US D914,454 S**
Silsby (45) **Date of Patent:** **** Mar. 30, 2021**

(54) **BEVERAGE CONTAINER**
(71) Applicant: **Pacific Market International, LLC**,
Seattle, WA (US)
(72) Inventor: **Jacob D. Silsby**, Seattle, WA (US)
(73) Assignee: **Pacific Market International, LLC**,
Seattle, WA (US)
(**) Term: **15 Years**
(21) Appl. No.: **29/671,532**
(22) Filed: **Nov. 28, 2018**

D660,082 S * 5/2012 Wahl D7/510
D742,699 S * 11/2015 Boroski D7/608
D756,222 S * 5/2016 Lopez D23/260
(Continued)

OTHER PUBLICATIONS

Stanley Classic Growler, 1 page, Stanley product publicly disclosed prior to Jul. 20, 2017.
(Continued)

Primary Examiner — Jae Liang
(74) *Attorney, Agent, or Firm* — George C. Rondeau, Jr.;
Davis Wright Tremaine LLP

(57) **CLAIM**

The ornamental design for a beverage container, as shown and described.

Related U.S. Application Data

(62) Division of application No. 29/611,368, filed on Jul. 20, 2017, now Pat. No. Des. 837,597.
(51) **LOC (13) Cl.** **07-01**
(52) **U.S. Cl.**
USPC **D7/510; D7/533; D7/536**
(58) **Field of Classification Search**
USPC D7/507, 509, 510, 511, 523, 533, 534,
D7/535, 536, 608, 392.1, 396.2, 515, 516;
D8/107, 300; D24/197; D9/517, 532;
220/710.5, 592.16, 592.17
CPC D47G 19/22; B65D 1/265; A47G 19/2266;
A47J 41/02; A45F 3/16
See application file for complete search history.

DESCRIPTION

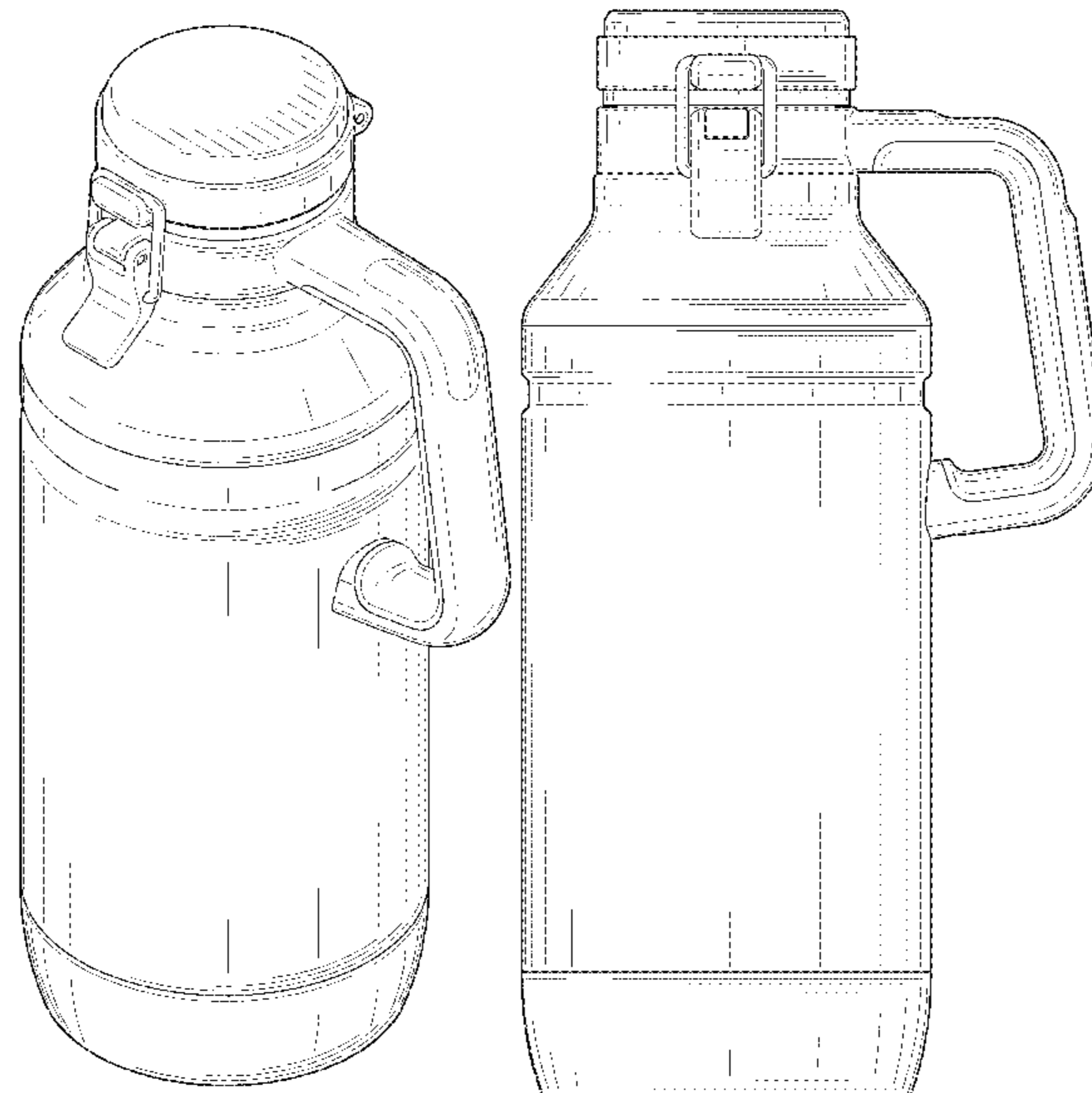
FIG. 1 is a top perspective view of a first embodiment of a beverage container showing my new design.
FIG. 2 is a bottom perspective view thereof.
FIG. 3 is a front elevational view thereof.
FIG. 4 is a right side elevational view thereof.
FIG. 5 is a rear side elevational view thereof.
FIG. 6 is a left elevational view thereof.
FIG. 7 is a top plan view thereof.
FIG. 8 is a bottom plan view thereof.
FIG. 9 is a top perspective view of a second embodiment thereof.
FIG. 10 is a bottom perspective view thereof.
FIG. 11 is a front elevational view thereof.
FIG. 12 is a right side elevational view thereof.
FIG. 13 is a rear side elevational view thereof.
FIG. 14 is a left elevational view thereof.
FIG. 15 is a top plan view thereof; and,
FIG. 16 is a bottom plan view thereof.
The broken lines in the drawings depict portions of the beverage container that form no part of the claimed design.

(56) **References Cited**

U.S. PATENT DOCUMENTS

D398,478 S * 9/1998 Spencer D7/510
D531,036 S * 10/2006 Bried D9/504
D536,614 S * 2/2007 Peterson D9/454
D599,621 S * 9/2009 Poindexter D7/532
D616,248 S * 5/2010 George D7/510
D659,474 S * 5/2012 Wahl D7/510
D660,081 S * 5/2012 Gilbert D7/396.2

1 Claim, 14 Drawing Sheets



(56)

References Cited

U.S. PATENT DOCUMENTS

D762,117 S * 7/2016 Joseph D7/387
D769,046 S * 10/2016 Beckman B65D 25/28
D7/300
D786,619 S * 5/2017 Joseph D7/510
D806,467 S * 1/2018 Yao D7/392.1
D808,221 S * 1/2018 George D7/536
D808,735 S * 1/2018 Beckman D7/608
D809,347 S * 2/2018 Silsby D7/608
D817,093 S * 5/2018 Silsby D7/510
D817,094 S * 5/2018 Silsby D7/510
D820,086 S * 6/2018 Lynd D9/454

OTHER PUBLICATIONS

Miir Growler, 1 page, Miir product publicly disclosed prior to Jul. 20, 2017.

* cited by examiner

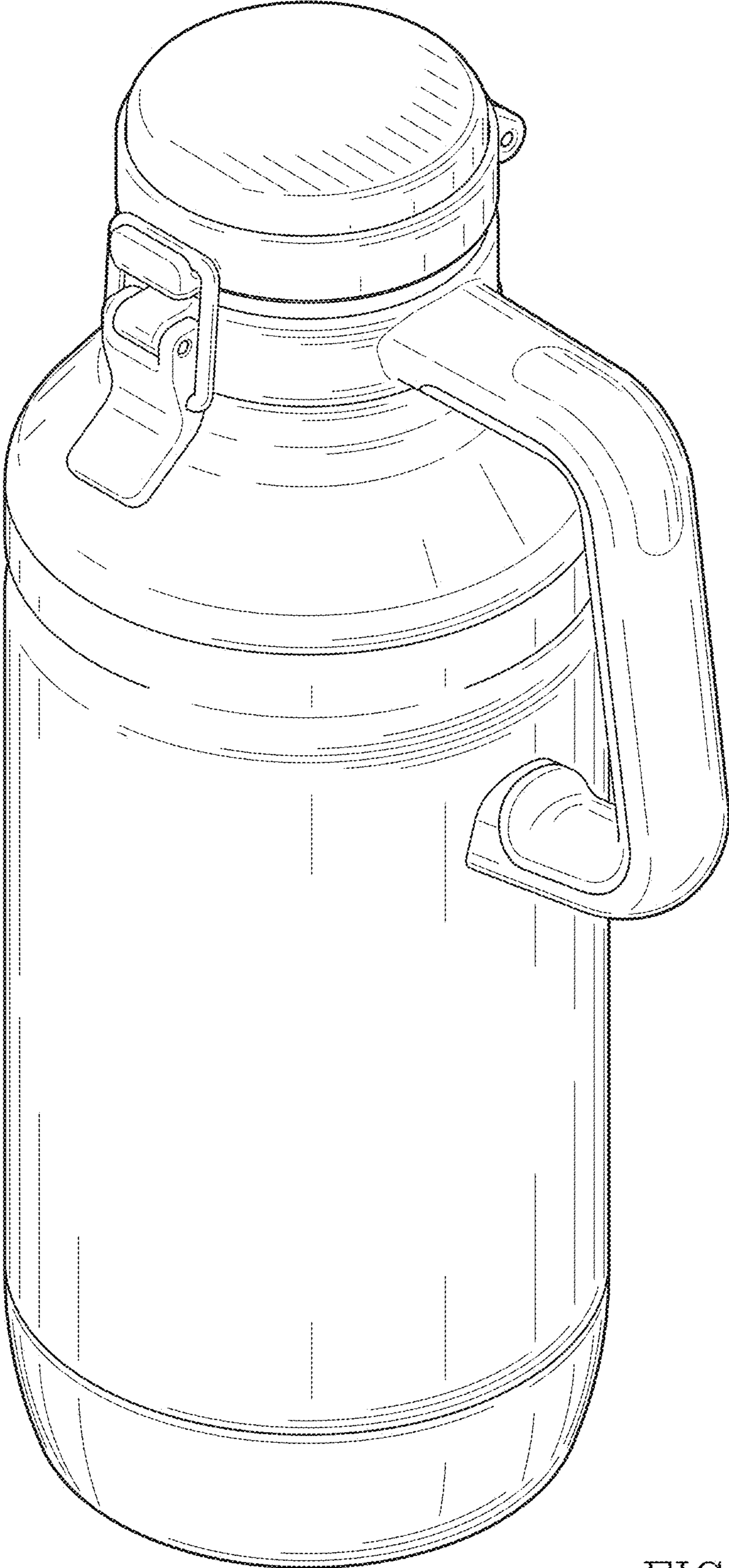


FIG. 1

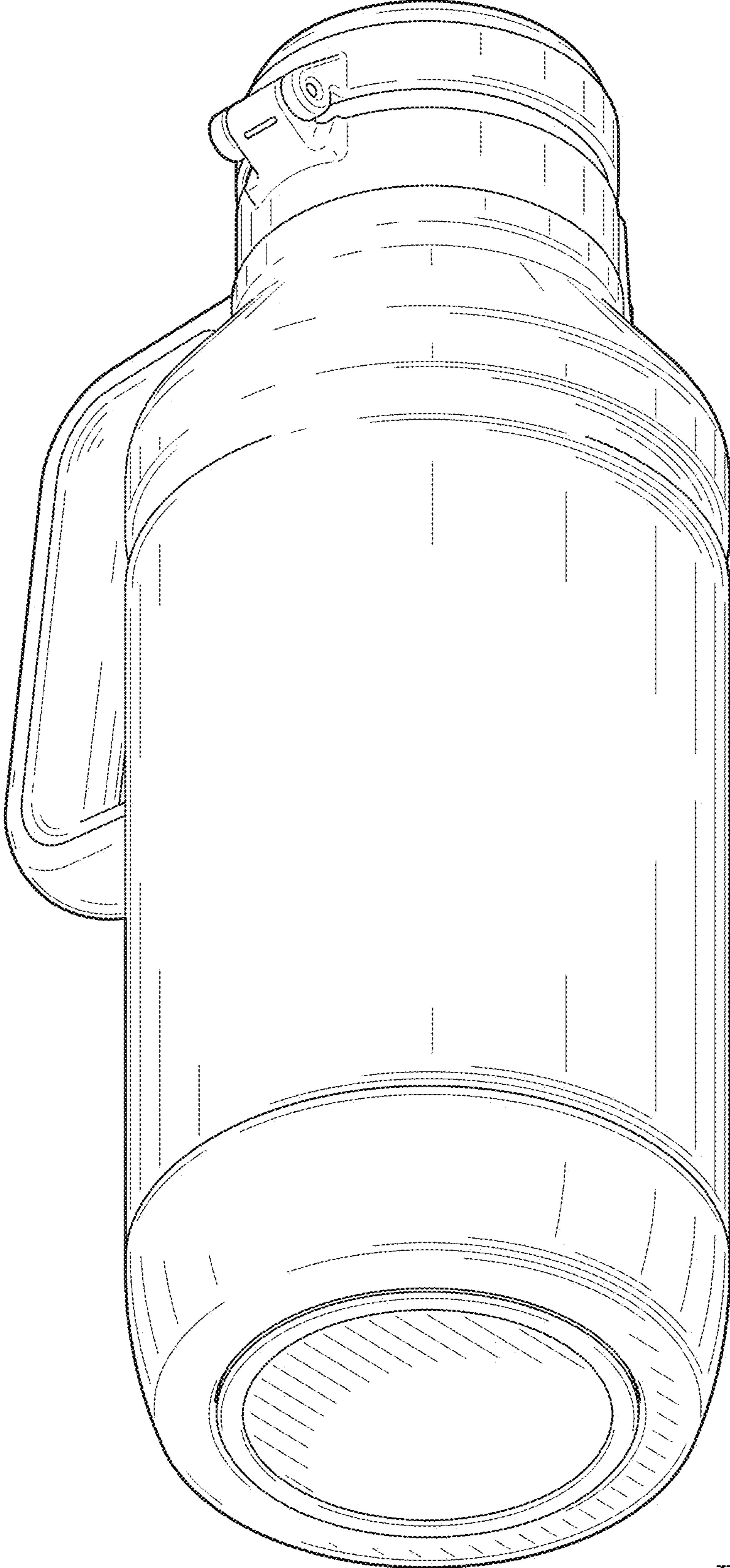


FIG. 2

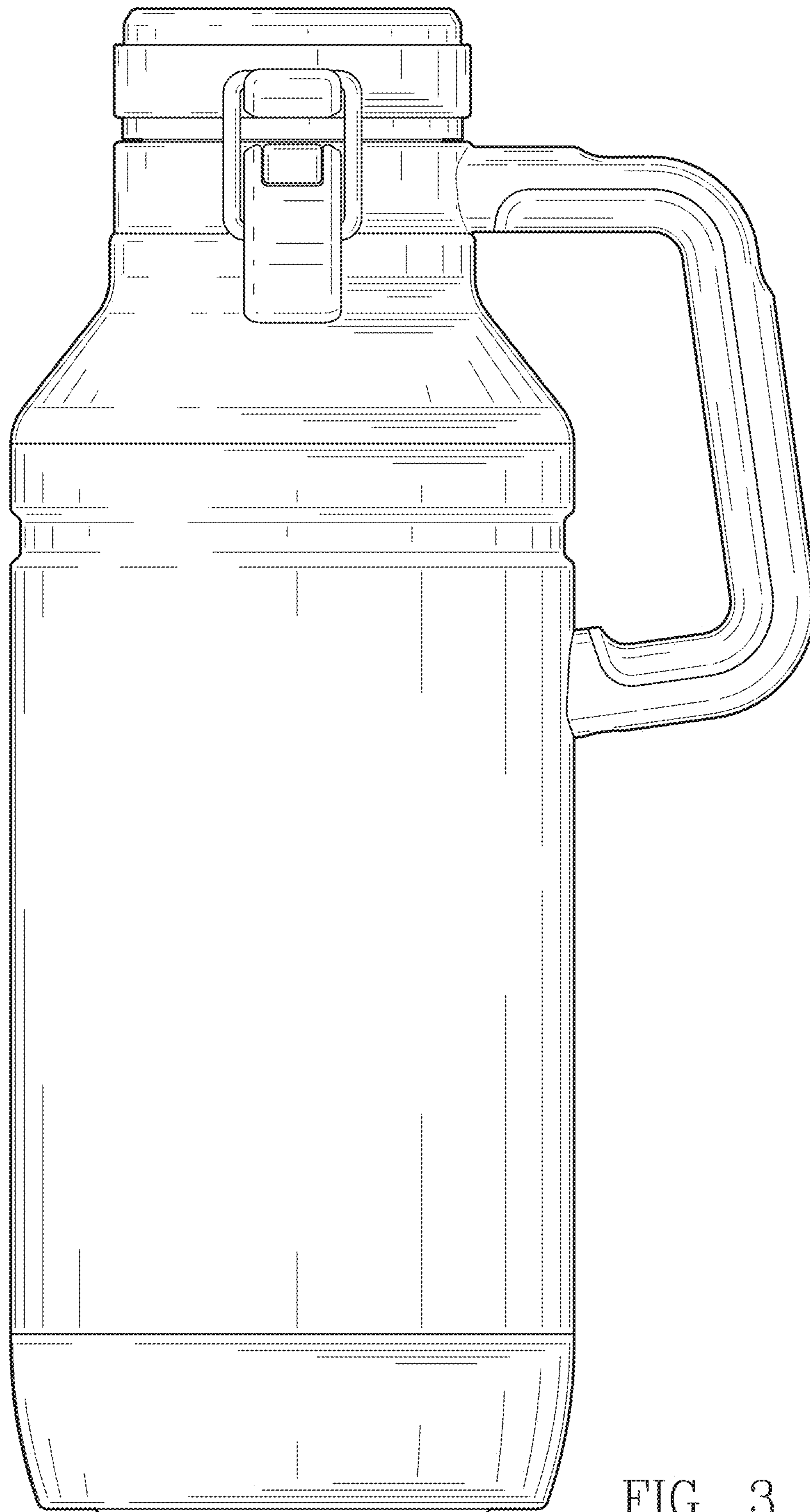


FIG. 3

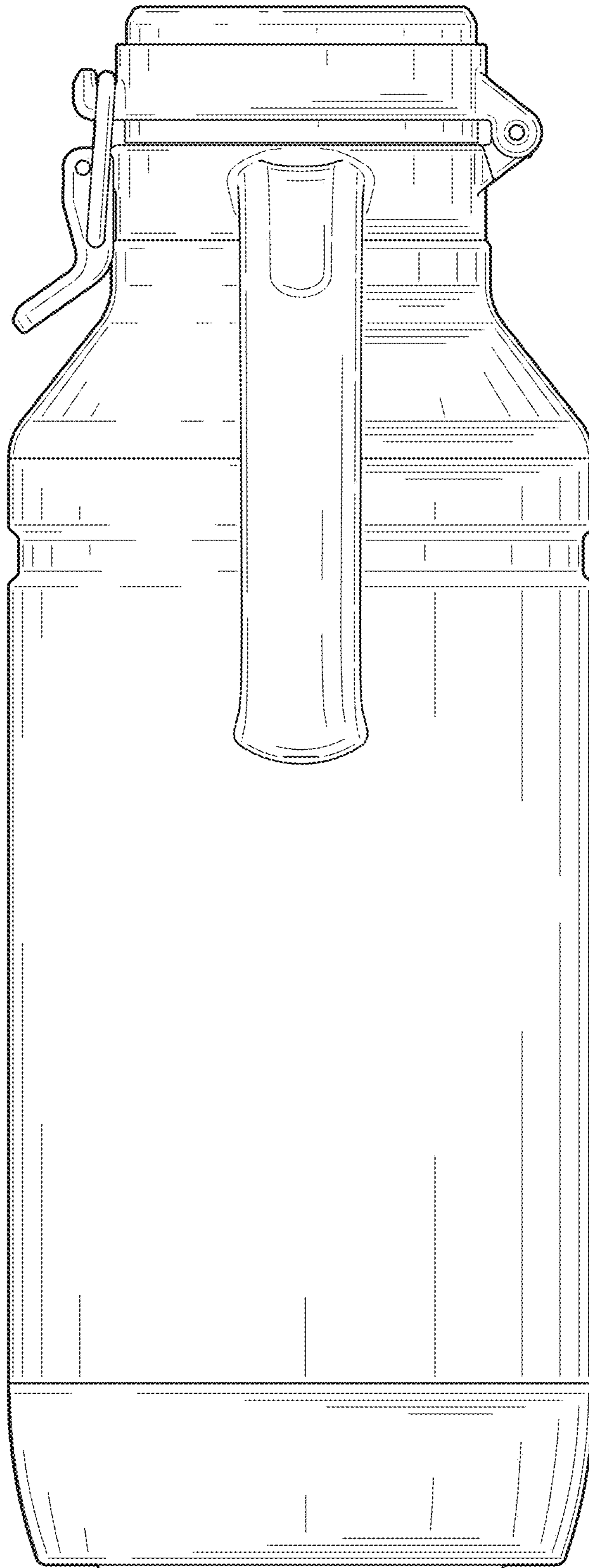


FIG. 4

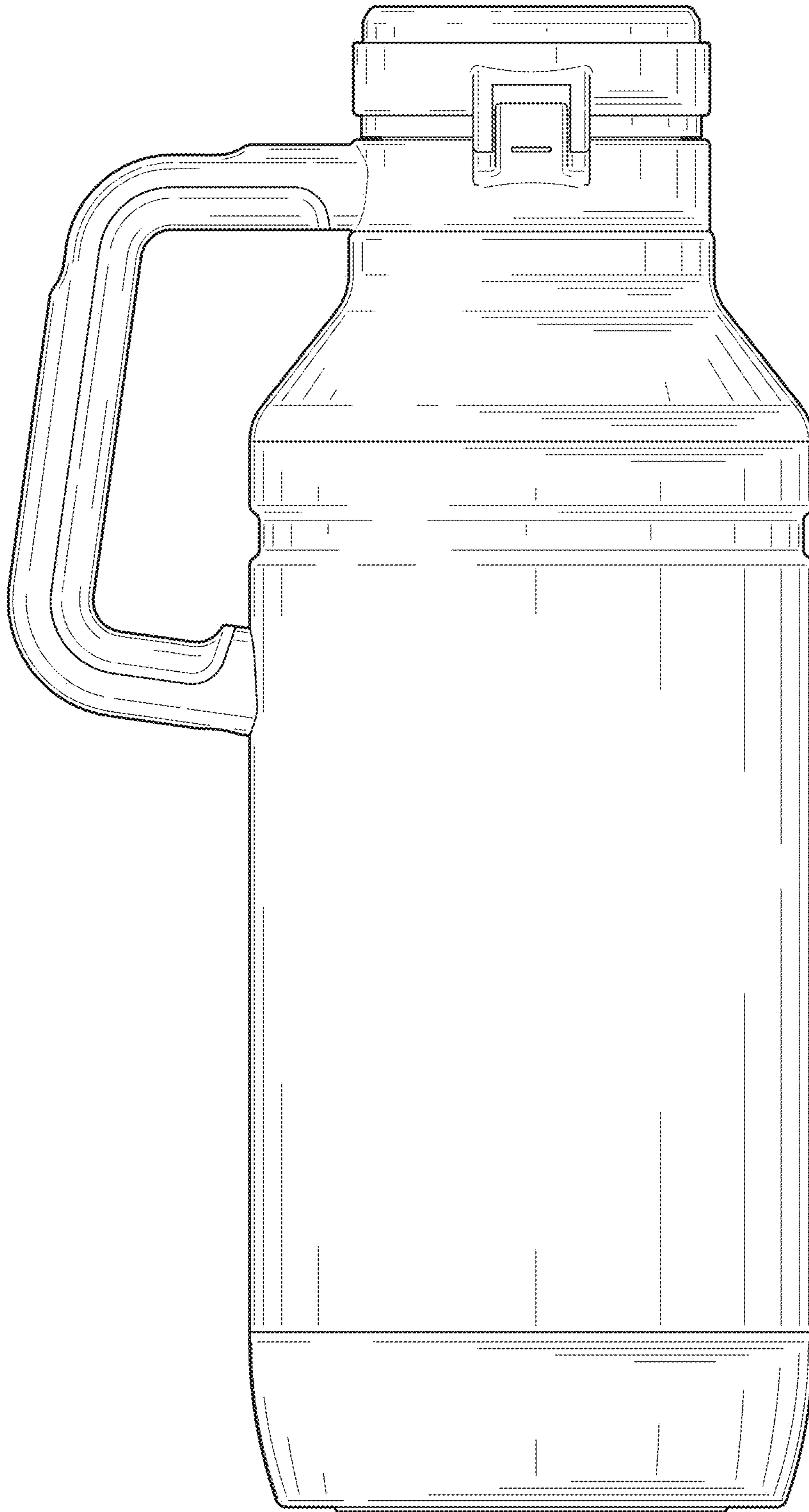


FIG. 5

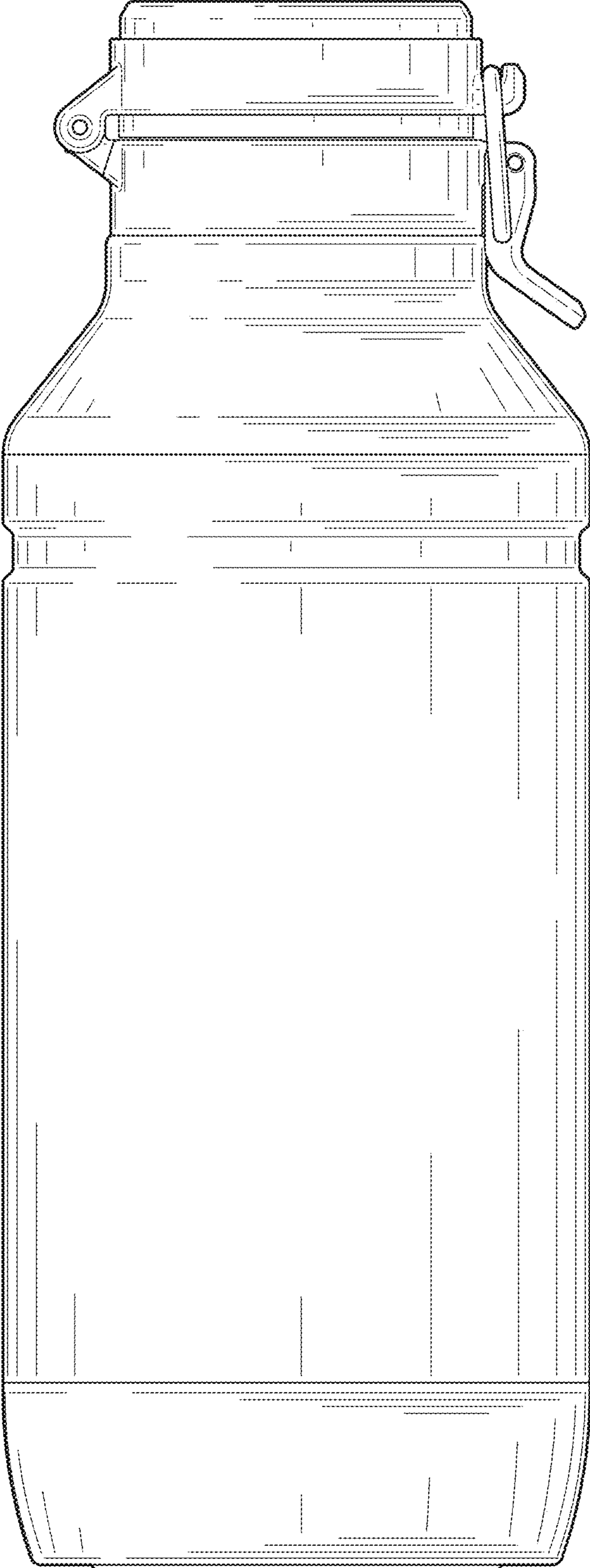


FIG. 6

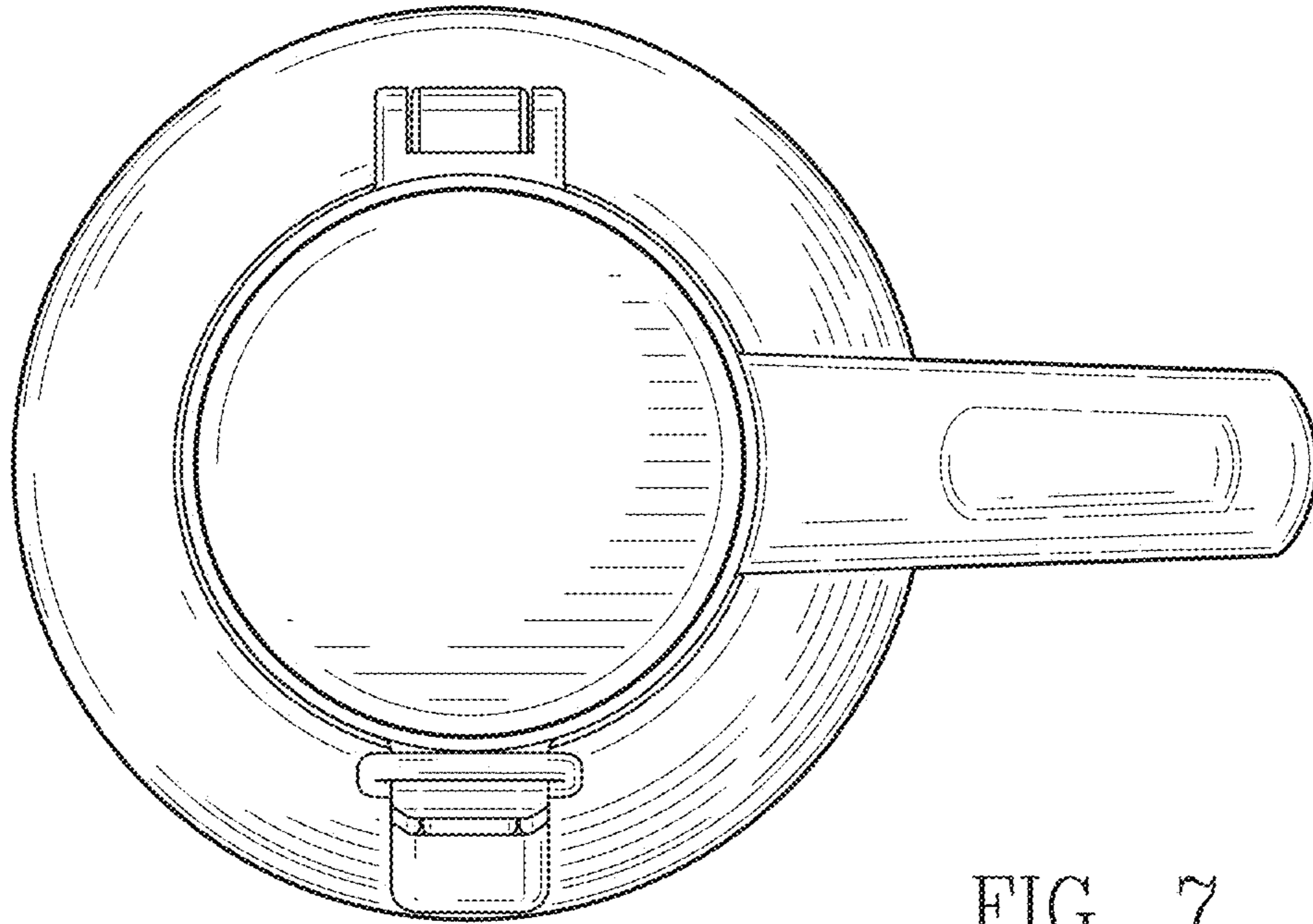


FIG. 7

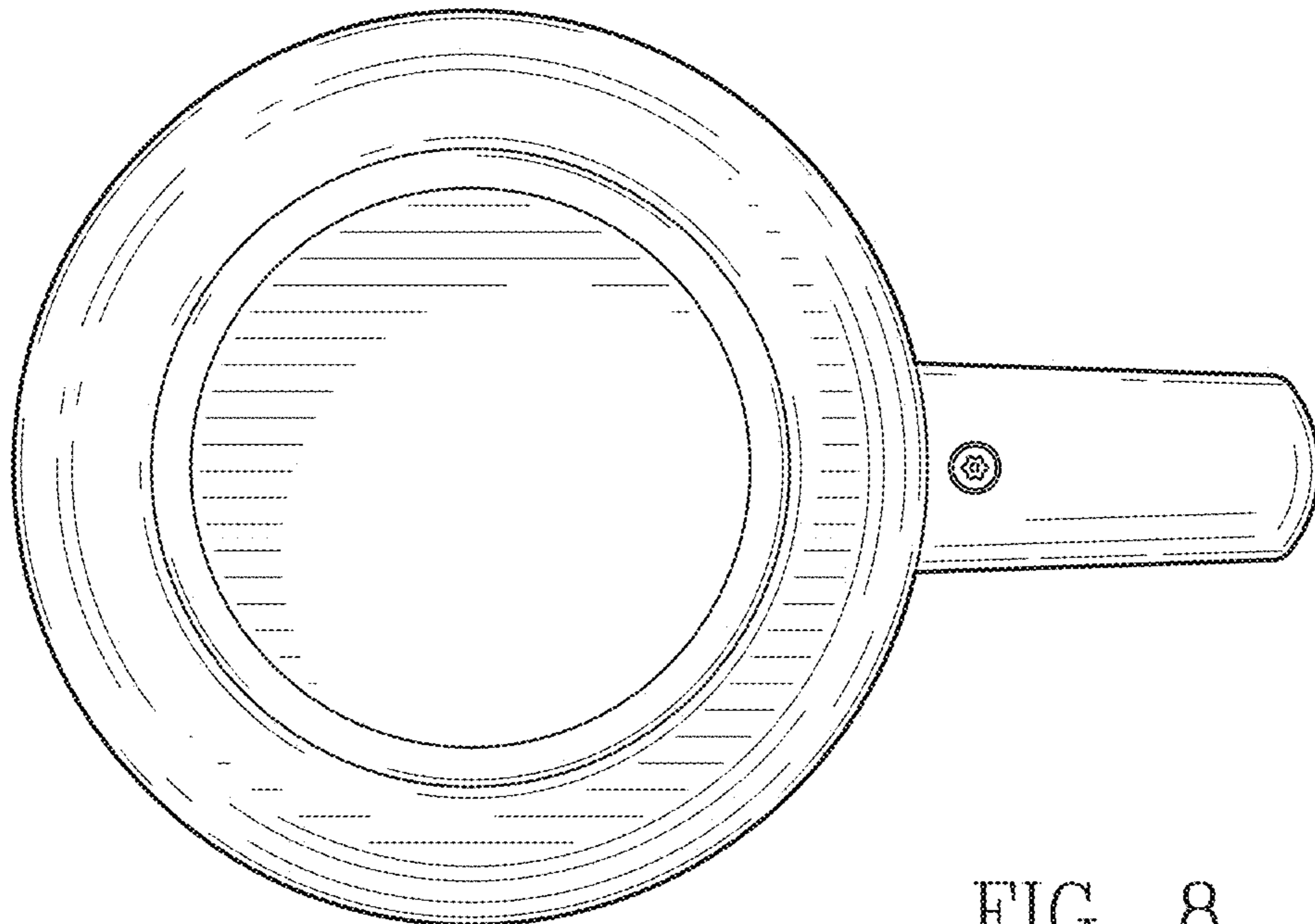


FIG. 8

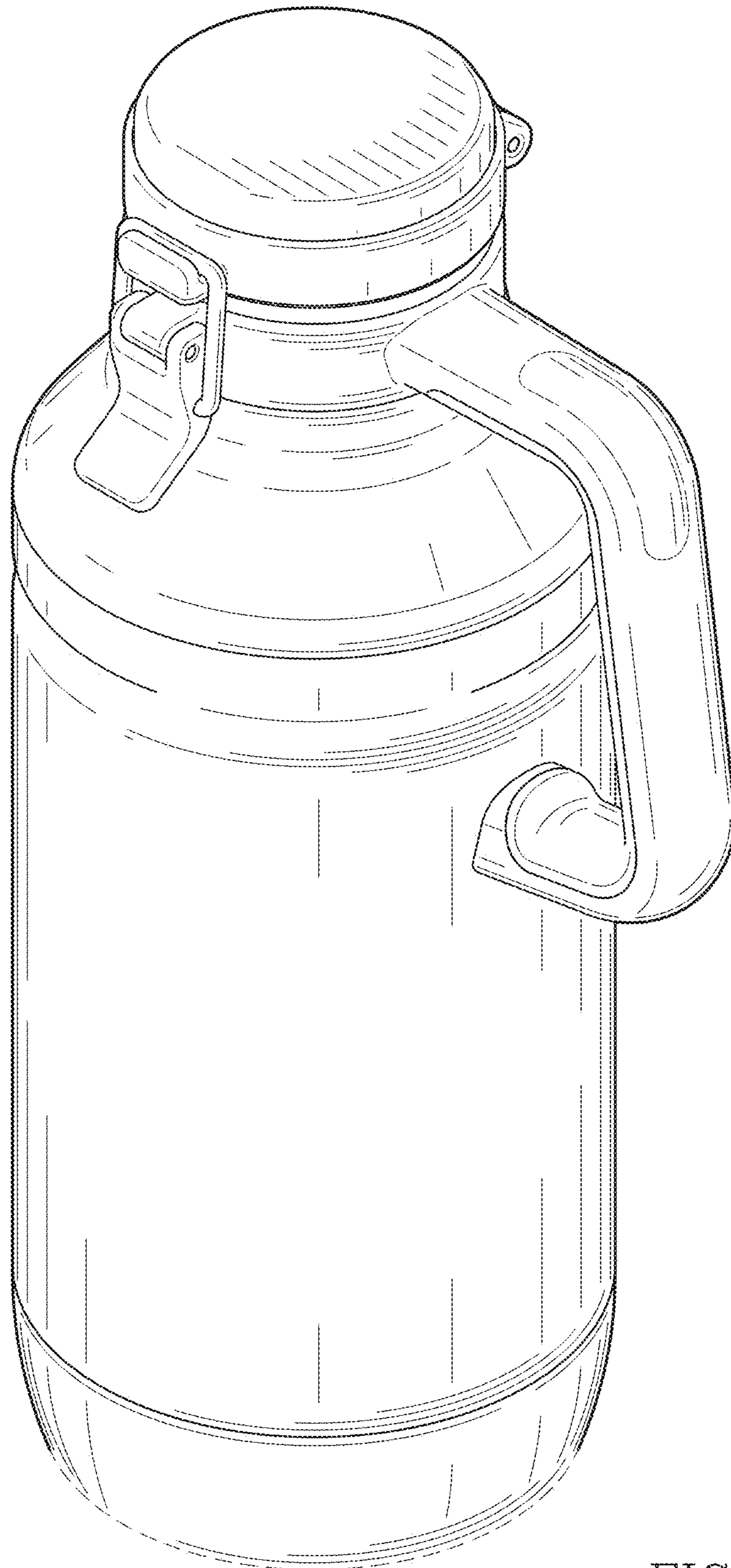


FIG. 9

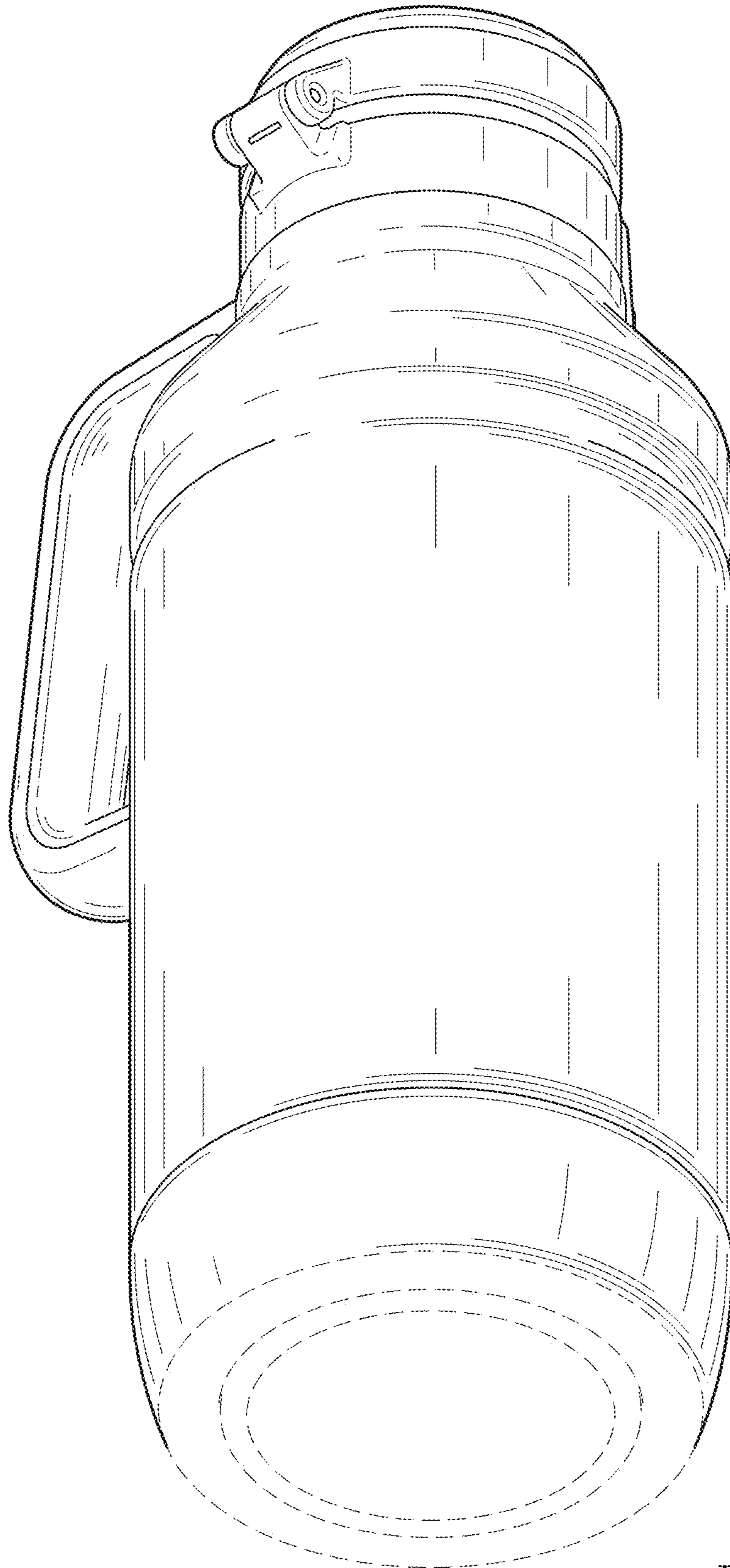


FIG. 10

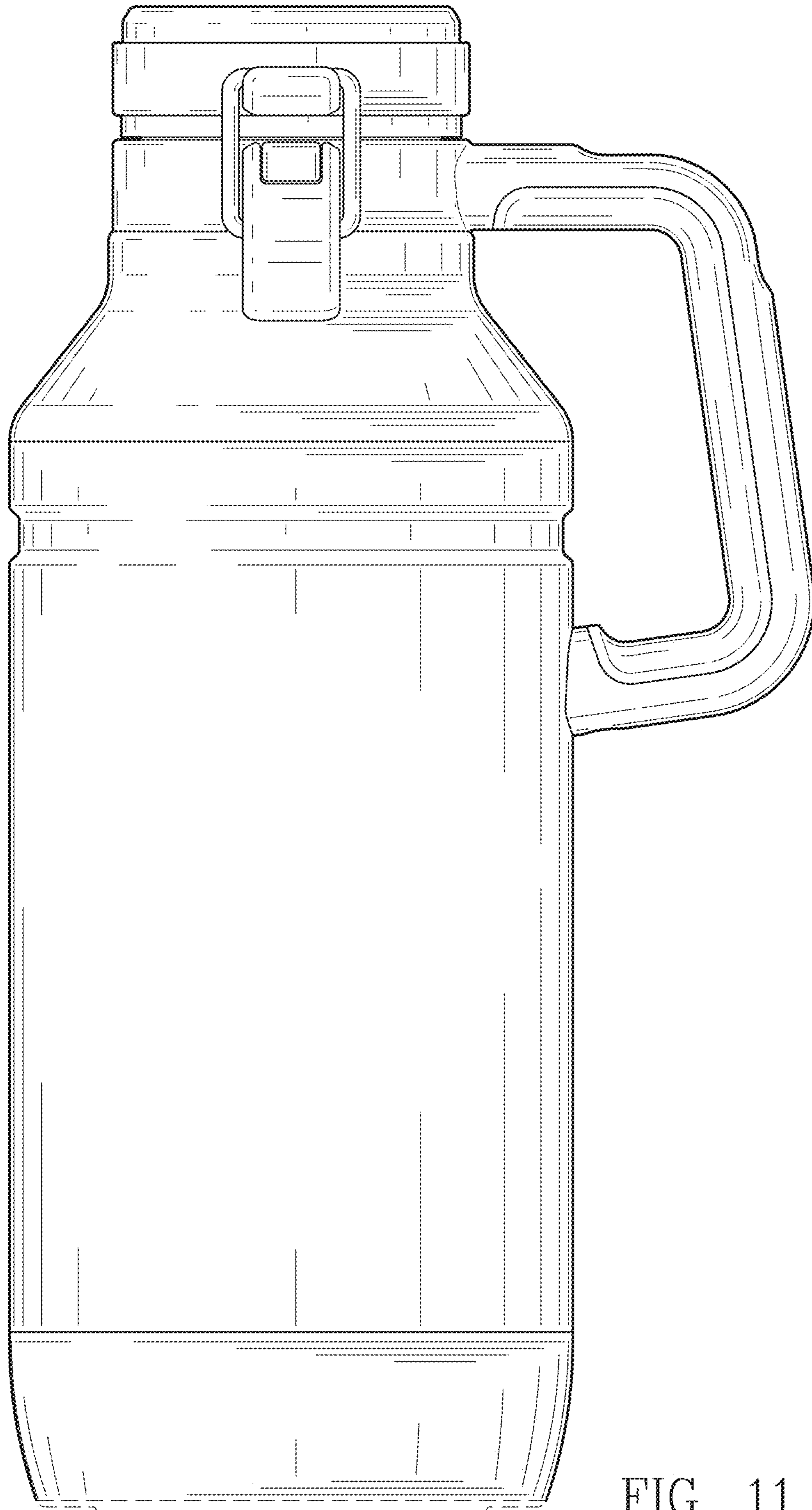


FIG. 11

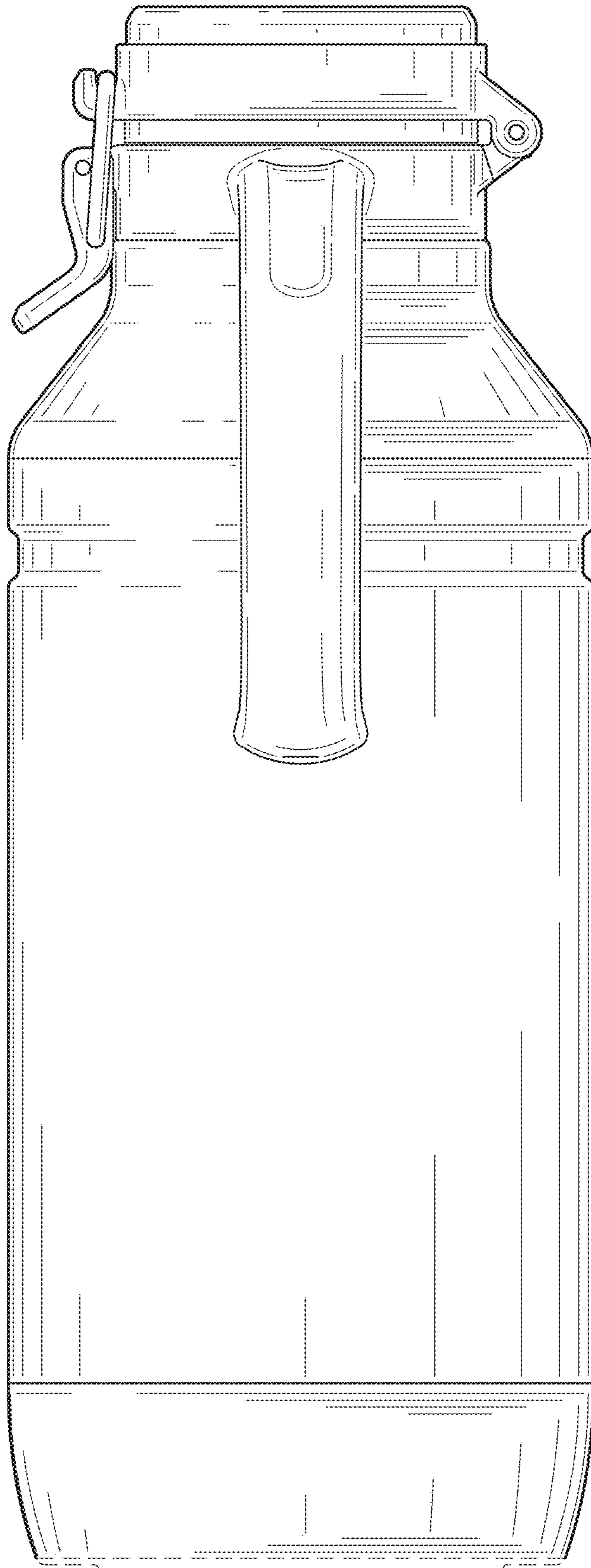


FIG. 12

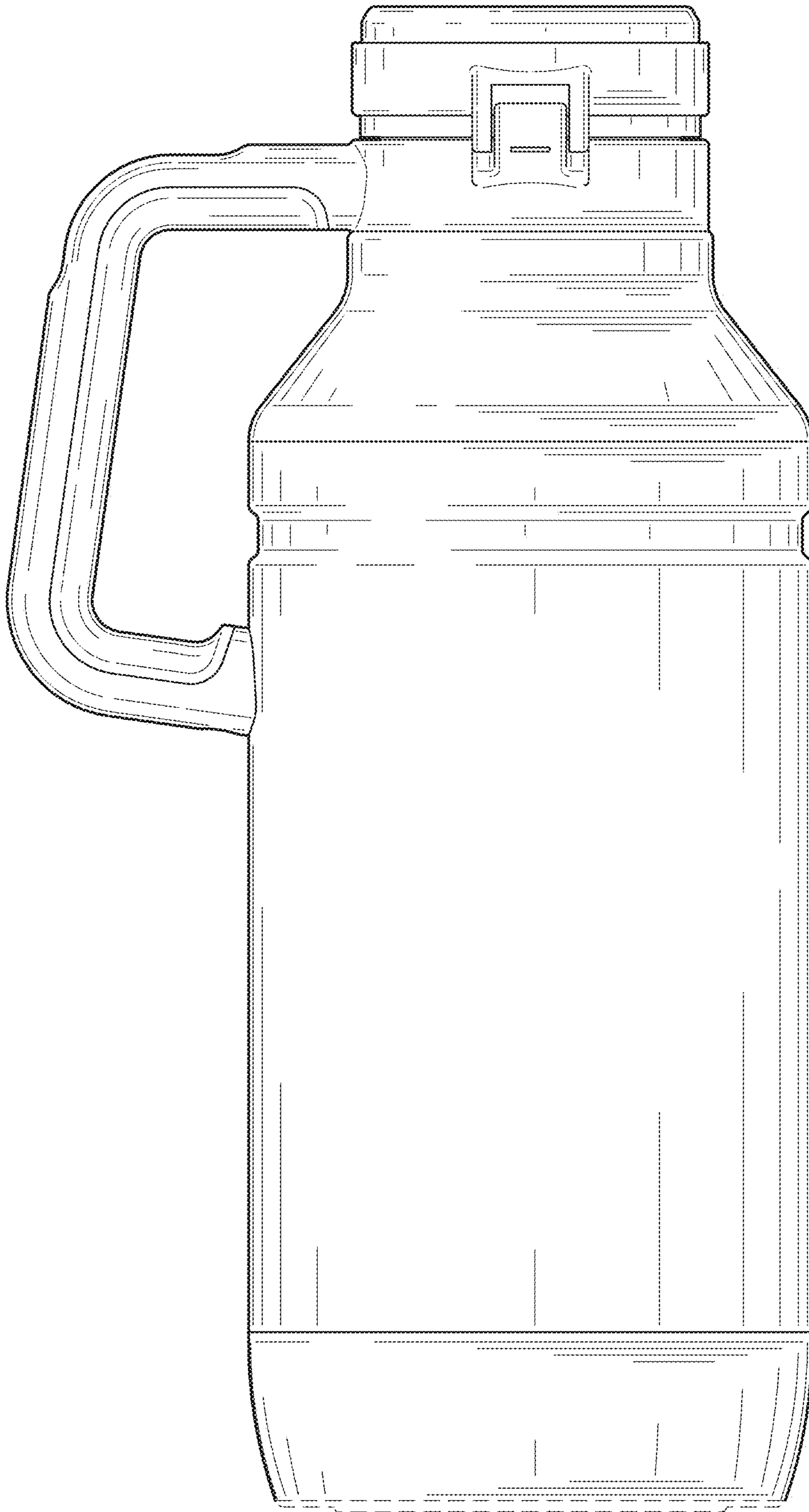


FIG. 13

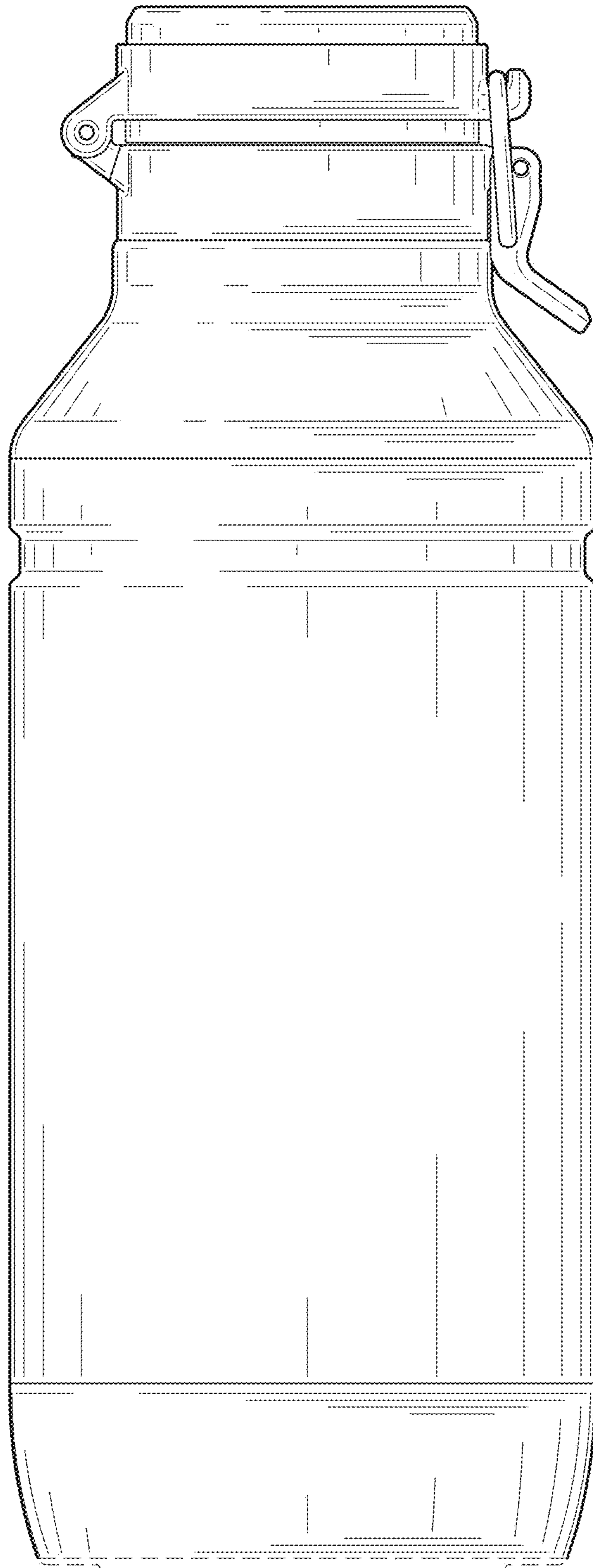


FIG. 14

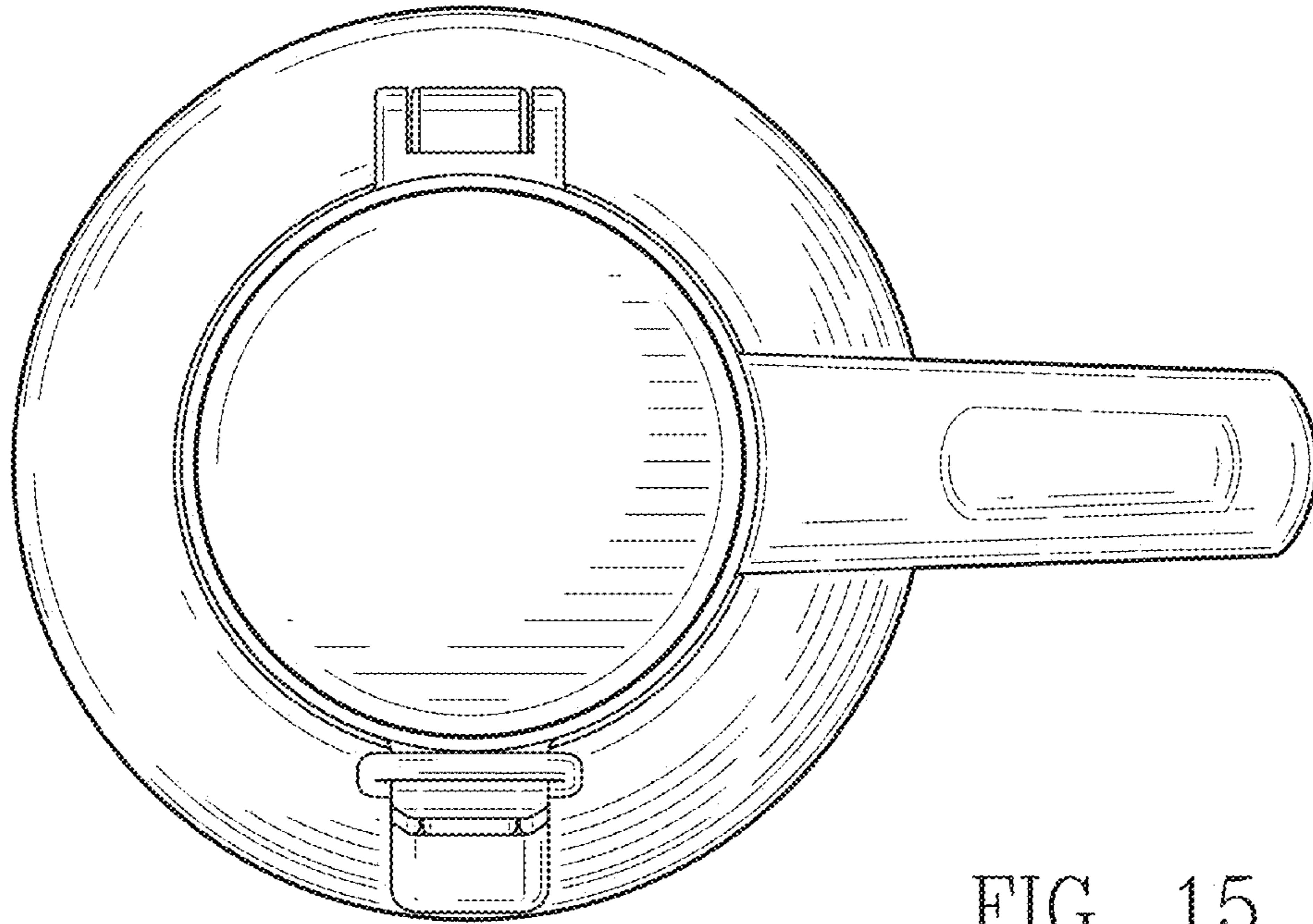


FIG. 15

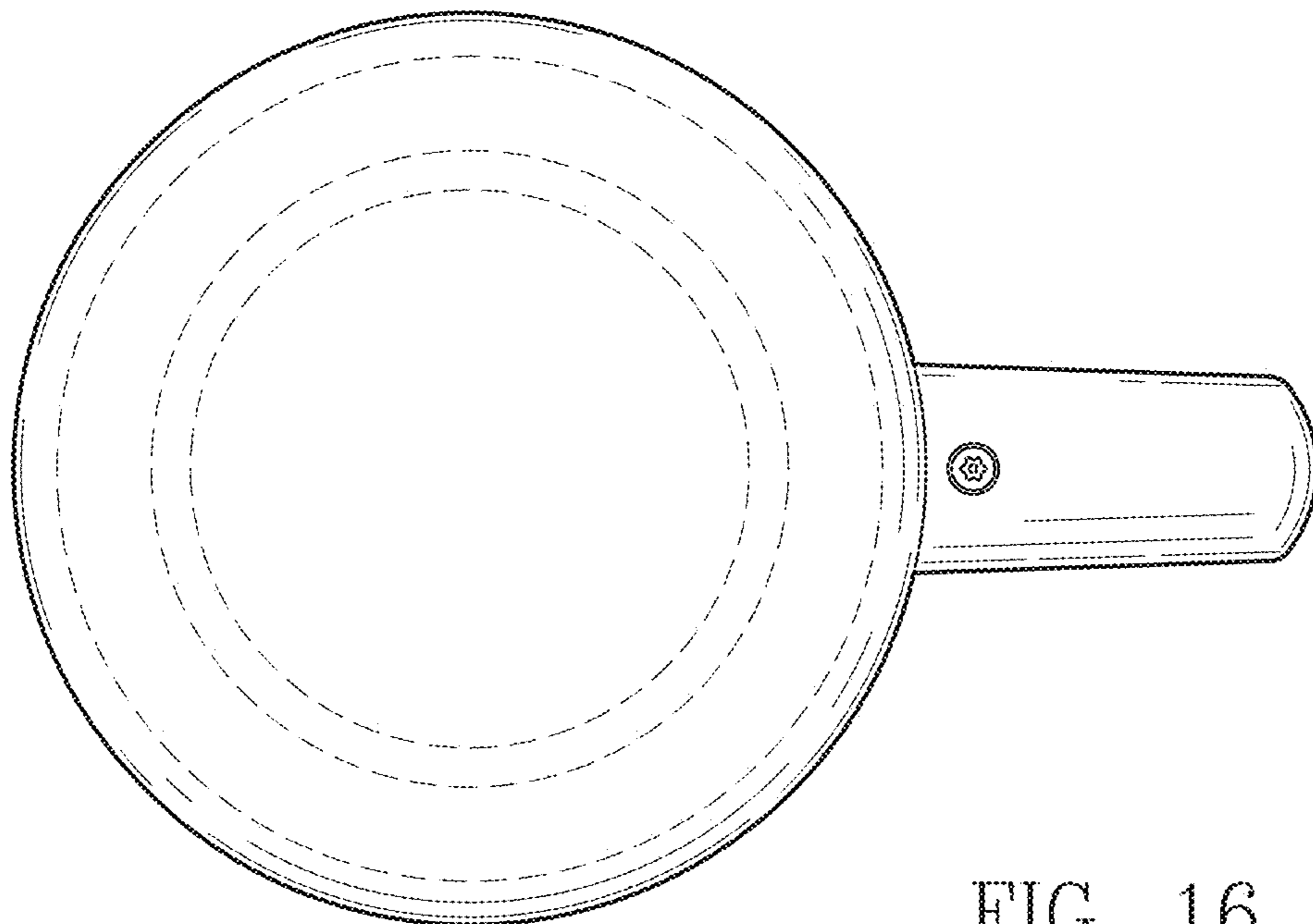


FIG. 16