



US00D914453S

(12) **United States Design Patent** (10) **Patent No.:** **US D914,453 S**
Kettavong et al. (45) **Date of Patent:** **** Mar. 30, 2021**

(54) **BLENDER CONTAINER**

(71) Applicant: **Vita-Mix Management Corporation**,
Olmsted Township, OH (US)

(72) Inventors: **Phonesacksith Guy Kettavong**, Kent,
OH (US); **Jack Warren Gee, II**,
Willoughby, OH (US); **Kolman Juhasz**,
Parma, OH (US); **Eugene J.**
Kozlowski, Medina, OH (US); **David**
A. Kanning, Valley City, OH (US);
Michael Patrick Arnett, Columbia
Station, OH (US); **Richard Joseph**
Lash, Avon Lake, OH (US)

(73) Assignee: **Vita-Mix Management Corporation**,
Olmsted Township, OH (US)

(**) Term: **15 Years**

(21) Appl. No.: **29/726,741**

(22) Filed: **Mar. 5, 2020**

Related U.S. Application Data

(62) Division of application No. 29/682,508, filed on Mar.
6, 2019, now Pat. No. Des. 878,862, which is a
division of application No. 29/630,478, filed on Dec.
21, 2017, now Pat. No. Des. 842,644, which is a
division of application No. 29/584,798, filed on Nov.
17, 2016, now Pat. No. Des. 807,118, which is a
(Continued)

(51) **LOC (13) Cl.** **31-00**

(52) **U.S. Cl.**
USPC **D7/413**; D7/376; D7/378; D7/412

(58) **Field of Classification Search**
USPC D7/372, 376–386, 412–413, 510, 511,
D7/531, 602, 608, 629, 665–666, 669,
D7/679, 693–694
CPC A21C 1/02; A21C 1/04; A23N 1/00; A23N
1/02; A47J 43/04; A47J 43/25; A47J
43/27; A47J 43/042; A47J 43/044; A47J

43/046; A47J 43/075; A47J 43/0722;
A47J 43/0727; B01F 3/00; B01F 3/0807;
B01F 3/0853; B01F 13/0059; B01F
13/0064; B01F 13/045; B02C 1/08; B02C
2/04; B02C 4/42; B02C 4/142; B02C
4/143; B02C 4/423; B02C 13/1835; B28C
5/10; B28C 5/12; B28C 5/14; B28C 5/16

See application file for complete search history.

(56) **References Cited**

U.S. PATENT DOCUMENTS

2,282,866 A 5/1942 Hagen
4,335,860 A 6/1982 Grandel et al.
(Continued)

FOREIGN PATENT DOCUMENTS

CN 10904700 5/2012
EP 0041082 12/1981
(Continued)

Primary Examiner — Ricky Pham

(74) *Attorney, Agent, or Firm* — McDonald Hopkins LLC

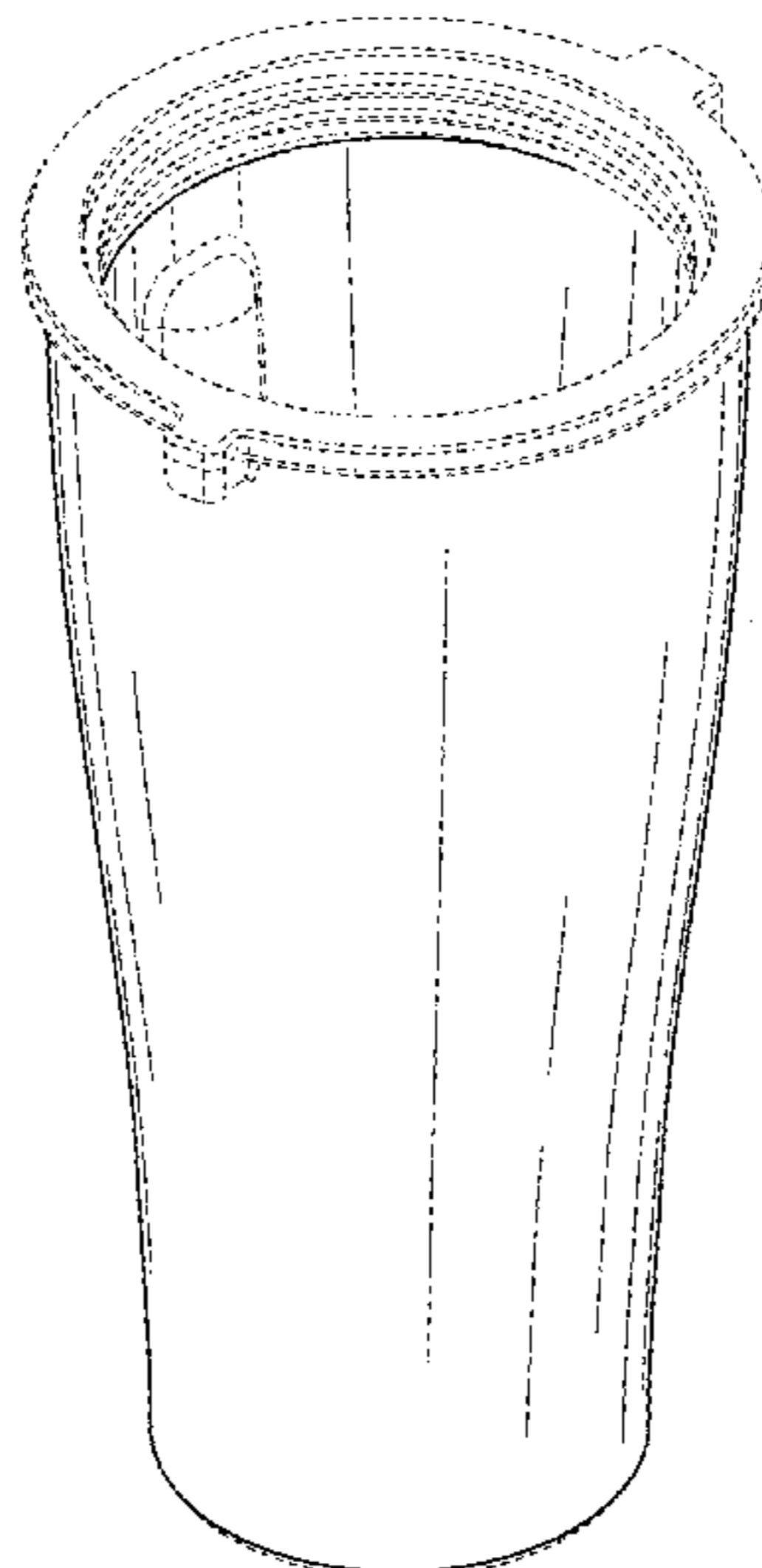
(57) **CLAIM**

The ornamental design of a blender container, as shown and
described.

DESCRIPTION

FIG. 1 is a perspective view of a portion of a blender
container showing our new design;
FIG. 2 is a front view thereof;
FIG. 3 is a rear view thereof;
FIG. 4 is a first side view thereof;
FIG. 5 is a second side view thereof;
FIG. 6 is a top view thereof; and,
FIG. 7 is a bottom view thereof.
The broken lines in the figures are included for the purpose
of illustrating portions of a blender container and form no
part of the claimed design.

1 Claim, 4 Drawing Sheets



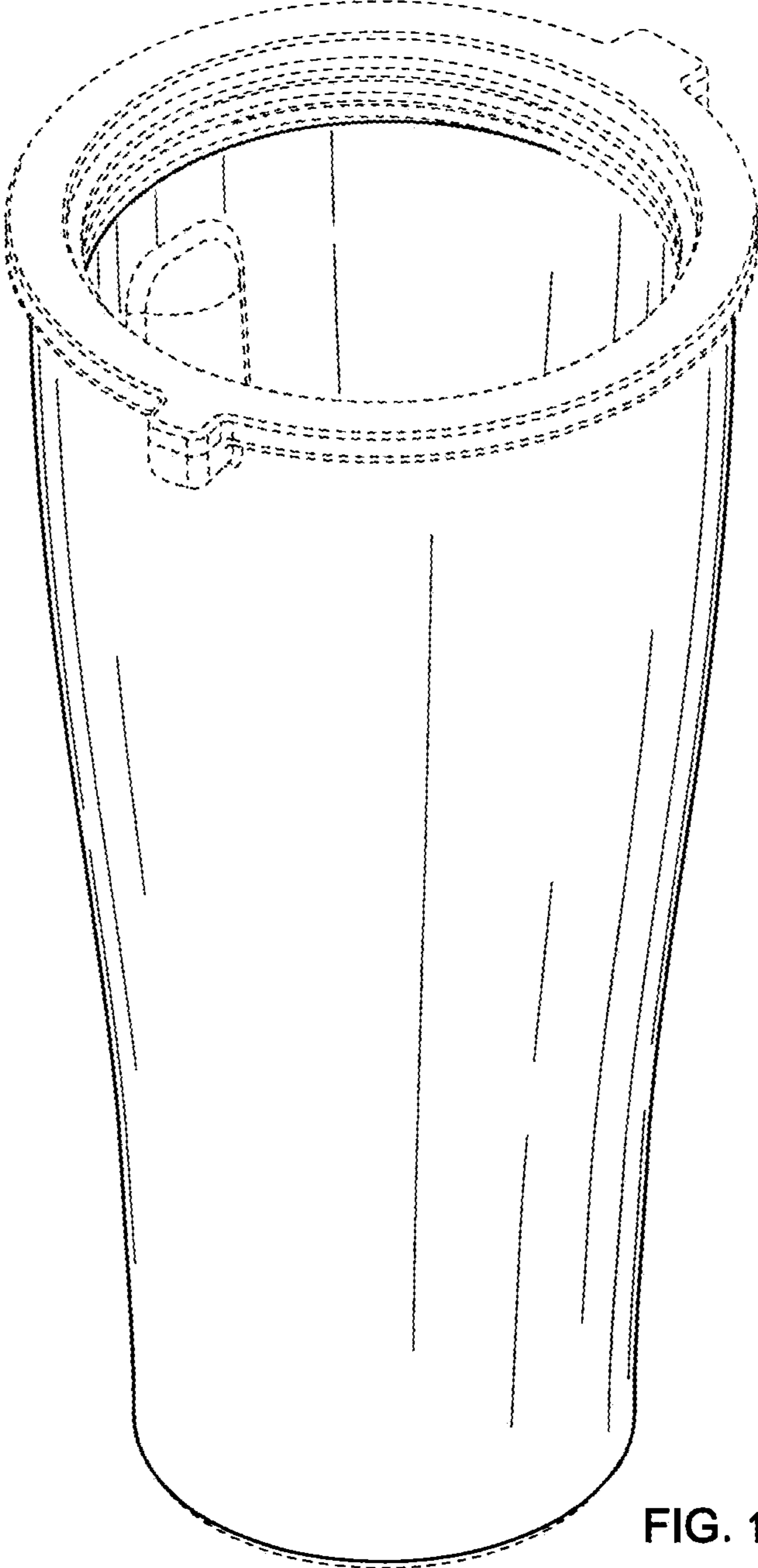


FIG. 1

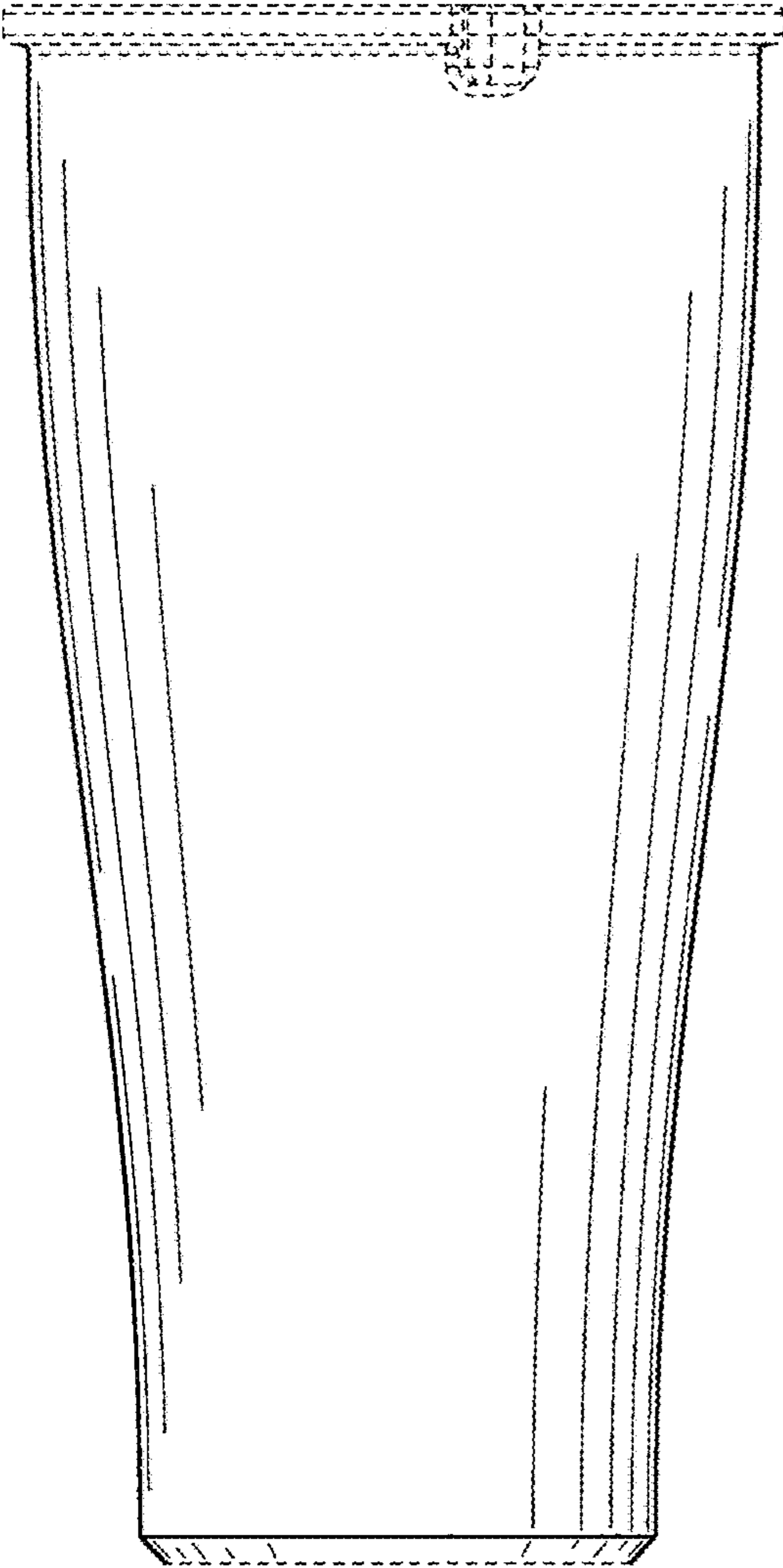


FIG. 2

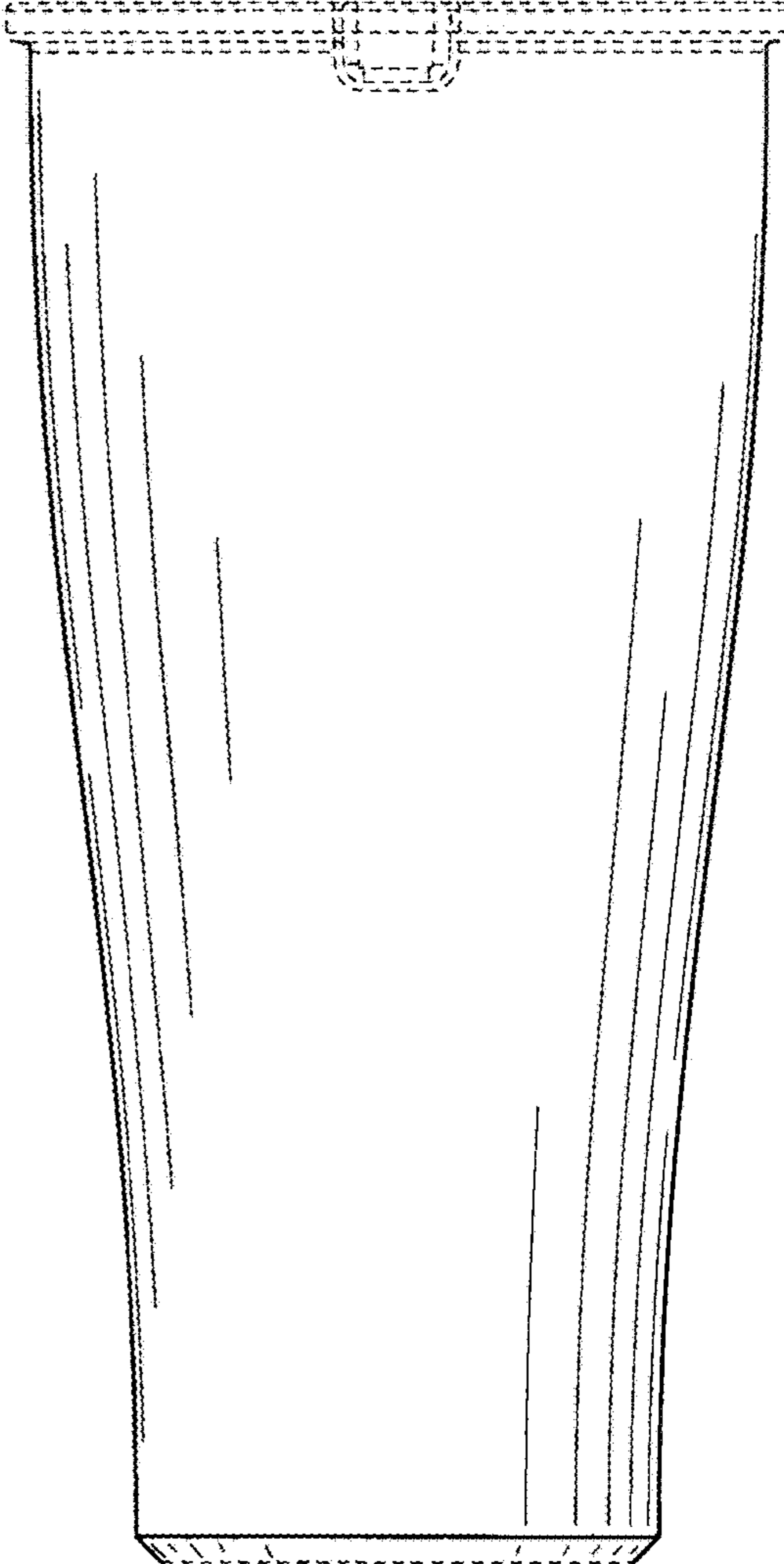


FIG. 3

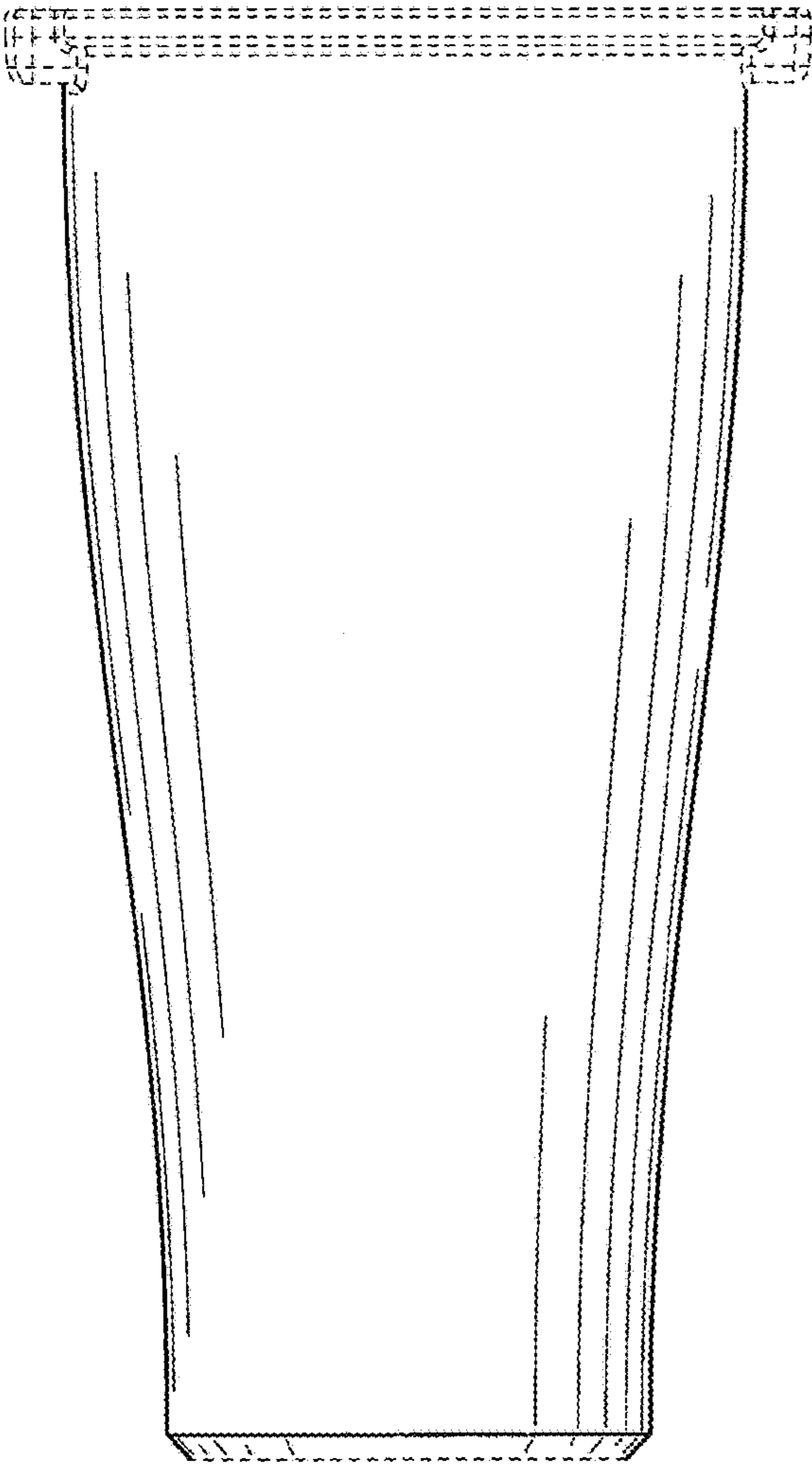


FIG. 4

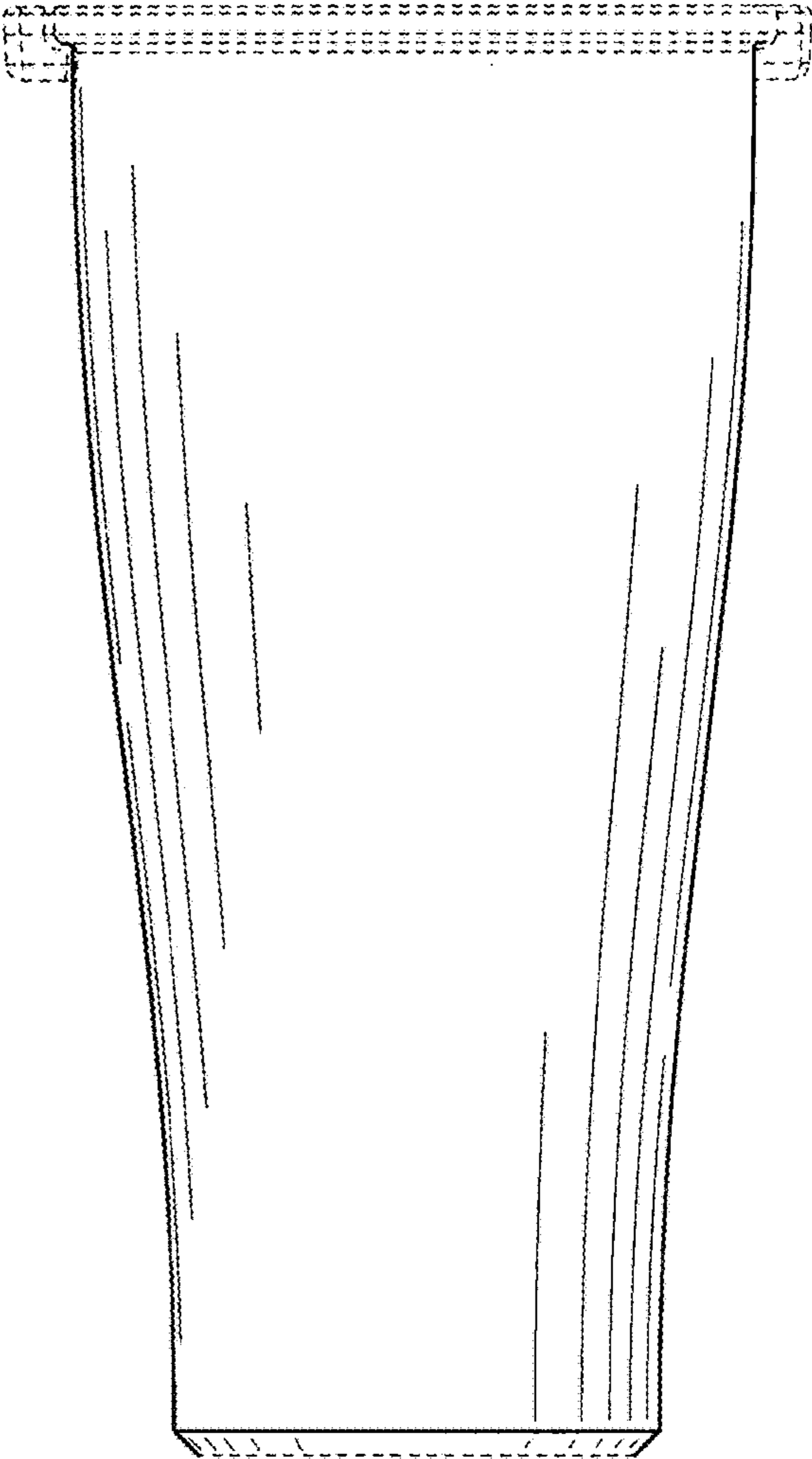


FIG. 5

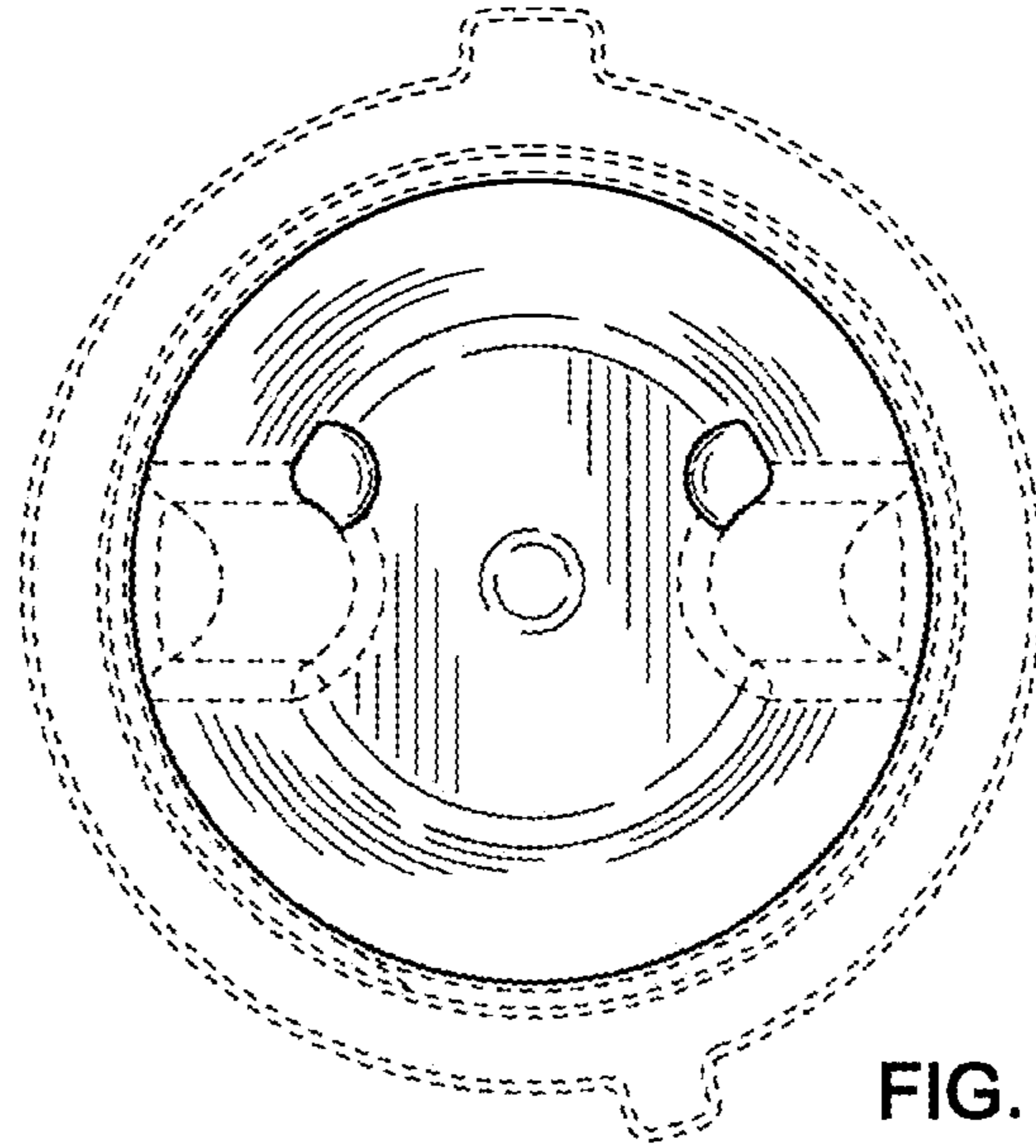


FIG. 6

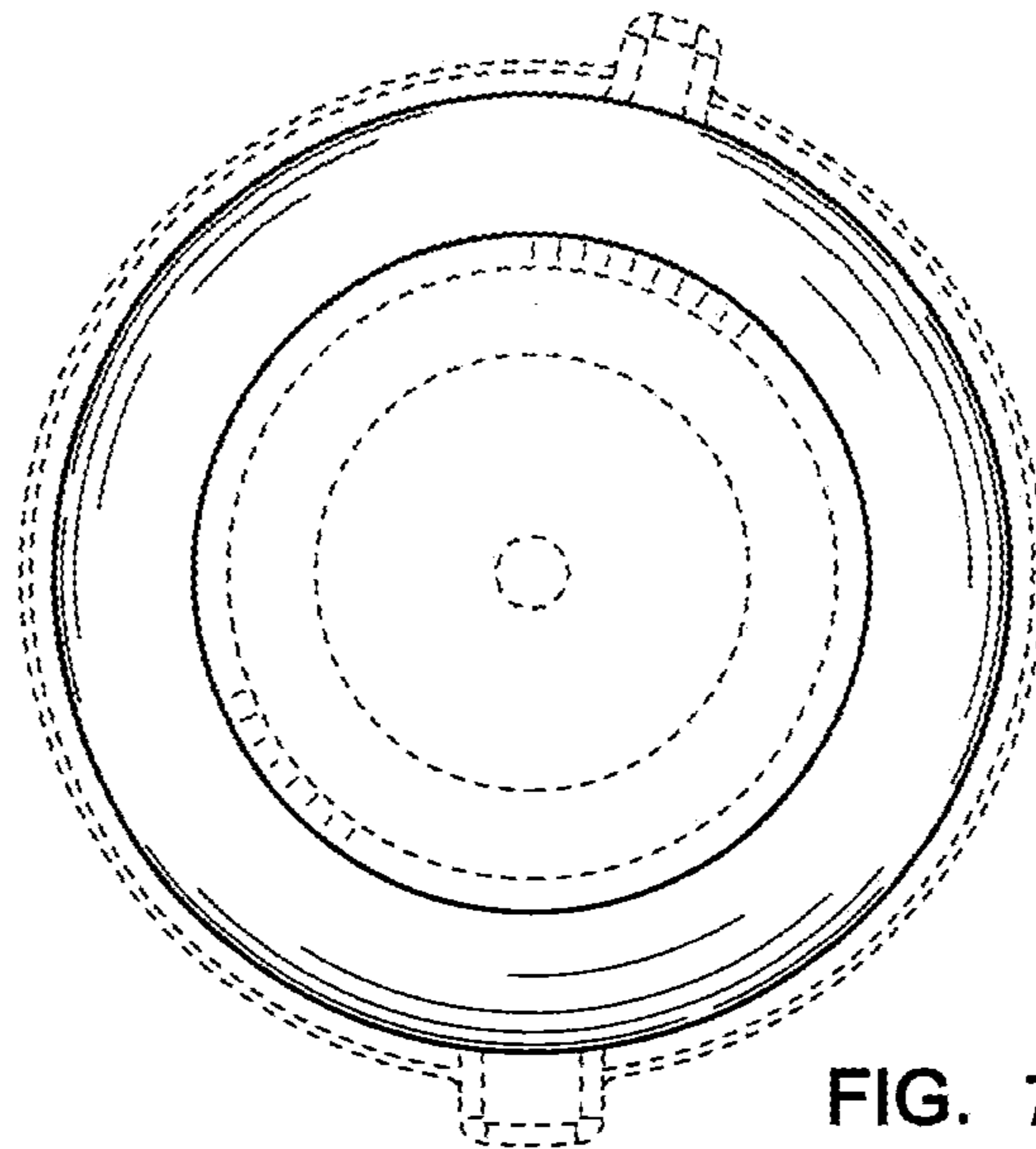


FIG. 7