



US00D914451S

(12) **United States Design Patent** (10) **Patent No.:** **US D914,451 S**
Boltz et al. (45) **Date of Patent:** **** Mar. 30, 2021**

(54) **SMOKE TUBE**

FOREIGN PATENT DOCUMENTS

(71) Applicant: **The Boltz Group, LLC**, Addison, TX (US)

CA	2647915	11/2015
CA	176071	7/2016
KR	20150089154	1/2014

(72) Inventors: **Erica Lea Boltz**, Dallas, TX (US);
Bradley Gleaton, Dallas, TX (US);
Randall May, Addison, TX (US)

OTHER PUBLICATIONS

(73) Assignee: **The Boltz Group, LLC**, Addison, TX (US)

Oval Tube Smoker by: A-Maze-N Smokin' Products (Dec. 23, 2020) https://amazonproducts.com/smokers/amazen-oval-tube-smoker-12inch.*

(**) Term: **15 Years**

(Continued)

(21) Appl. No.: **29/674,464**

Primary Examiner — Marissa J Cash

(22) Filed: **Dec. 21, 2018**

Assistant Examiner — Rebecca Tsehaye

(51) **LOC (13) Cl.** **07-02**

(74) *Attorney, Agent, or Firm* — Miller & Martin, PLLC

(52) **U.S. Cl.**

(57) **CLAIM**

USPC **D7/409**

The ornamental design for a smoke tube, as shown and described.

(58) **Field of Classification Search**

DESCRIPTION

USPC D27/162, 163, 172; D7/334–337,
D7/402–405, 417, 409; 126/8, 98, 9 R,
126/25 A, 25 R, 25 B, 41 R; 211/134,
211/135, 153; 99/481, 482, 44, 425;
131/330, 191, 198.2; D23/209
CPC . A23B 4/044; A23B 4/052; A24F 1/30; A24F
1/28

FIG. 1 is a perspective view of the smoke tube in an open configuration;

See application file for complete search history.

FIG. 2 is a front view thereof;

(56) **References Cited**

U.S. PATENT DOCUMENTS

4,603,782	A *	8/1986	Fenwick	A47B 57/20 108/107
D375,020	S *	10/1996	Cothorn	D7/402
6,019,035	A	2/2000	Jonas		
D647,759	S *	11/2011	Johnson	D7/409
D654,311	S *	2/2012	Benold	D7/402
D658,438	S *	5/2012	Zandbergen	D7/402
9,003,962	B2 *	4/2015	Broerman	A23B 4/044 99/482

FIG. 3 is a top view thereof;

FIG. 4 is a bottom view thereof;

FIG. 5 is a left side view thereof;

FIG. 6 is a right side view thereof; and

FIG. 7 is a back view thereof.

FIG. 8 is a perspective view of the smoke tube in a closed configuration;

FIG. 9 is a front view thereof;

FIG. 10 is a top view thereof;

FIG. 11 is a bottom view thereof;

FIG. 12 is a right side view thereof;

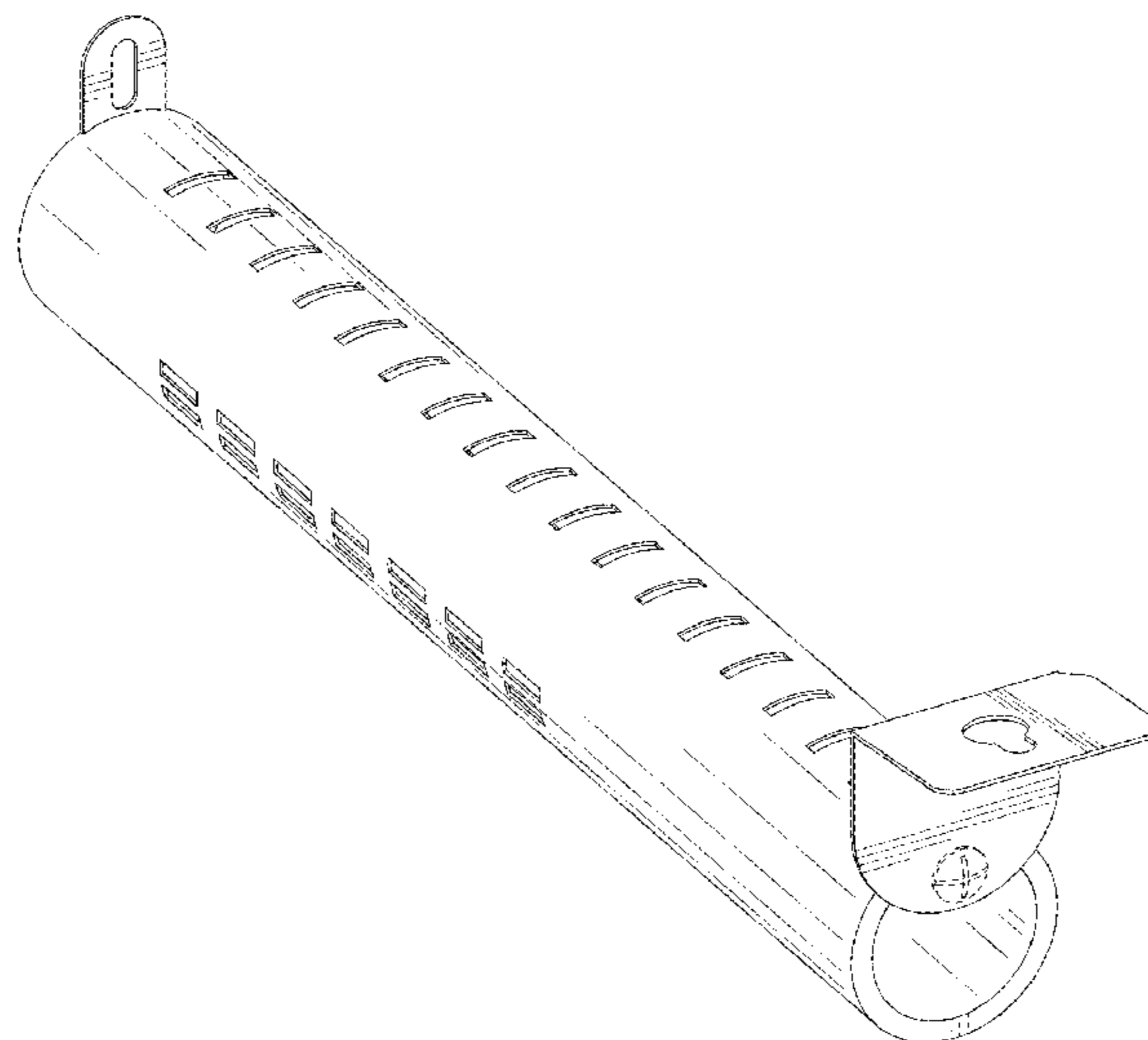
FIG. 13 is a left side view thereof; and,

FIG. 14 is a back view thereof.

The dashed broken lines in FIGS. 1 through 14 depict environmental subject matter only and form no part of the claimed design.

(Continued)

1 Claim, 8 Drawing Sheets



(56)

References Cited

U.S. PATENT DOCUMENTS

D754,475 S 4/2016 Pontano
D765,220 S * 8/2016 Boudreau D23/209
D792,741 S 7/2017 Chung
9,933,157 B2 4/2018 Ahmed
D820,041 S * 6/2018 Johnson D7/409
10,021,898 B2 * 7/2018 Mafi A23B 4/052
D851,989 S * 6/2019 Funnell, II D7/402
D863,884 S * 10/2019 Prior D7/409
D869,235 S * 12/2019 Johnson D7/409
2004/0025714 A1 2/2004 Neal
2014/0154381 A1 6/2014 Mafi
2014/0261015 A1 9/2014 Nelson
2017/0202394 A1 7/2017 Olsen
2020/0196798 A1 * 6/2020 Boltz A23B 4/0523

OTHER PUBLICATIONS

Non-Final Office Action, U.S. Appl. No. 16/229,041, dated Aug. 20, 2020.

* cited by examiner

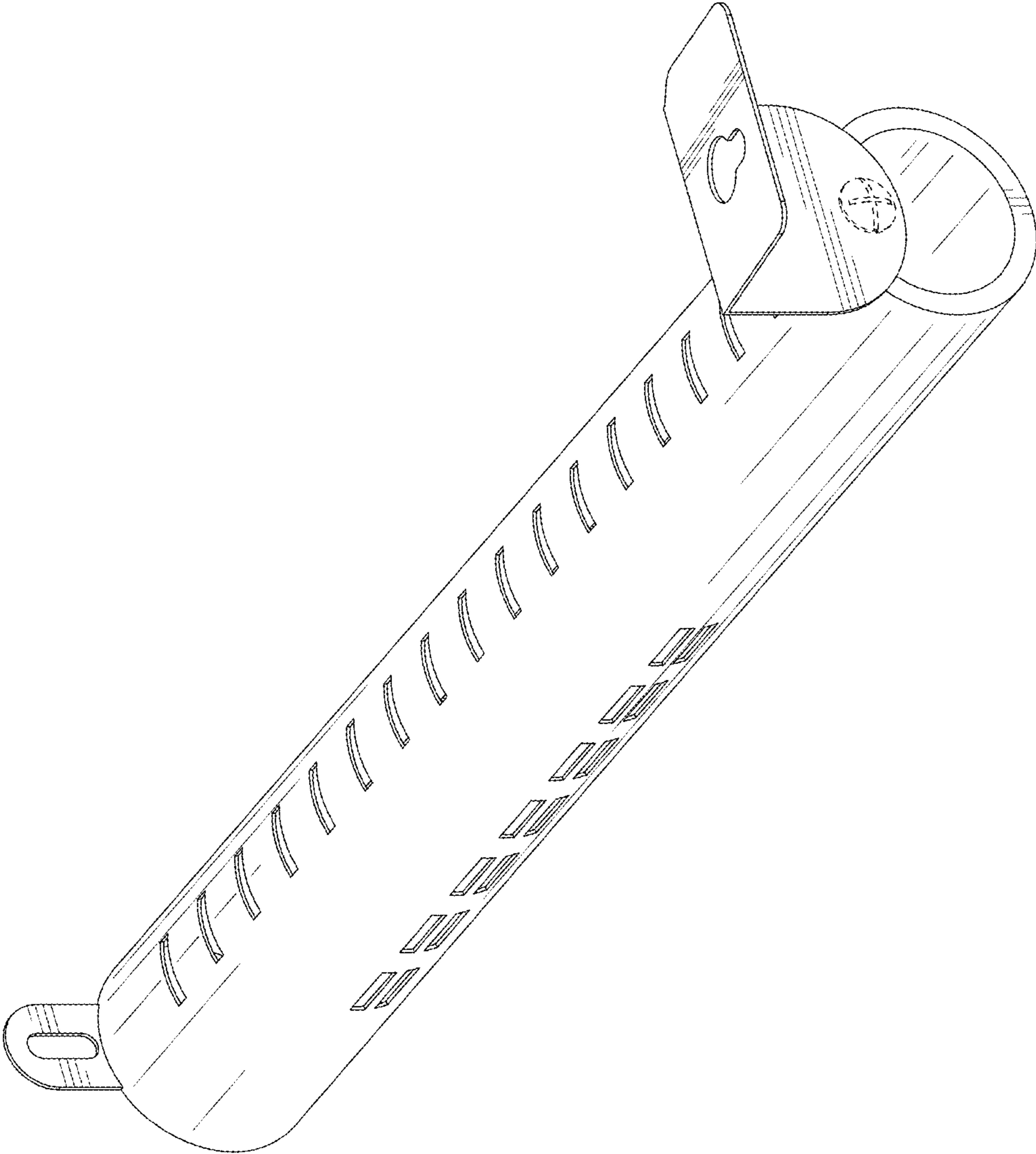


FIG. 1

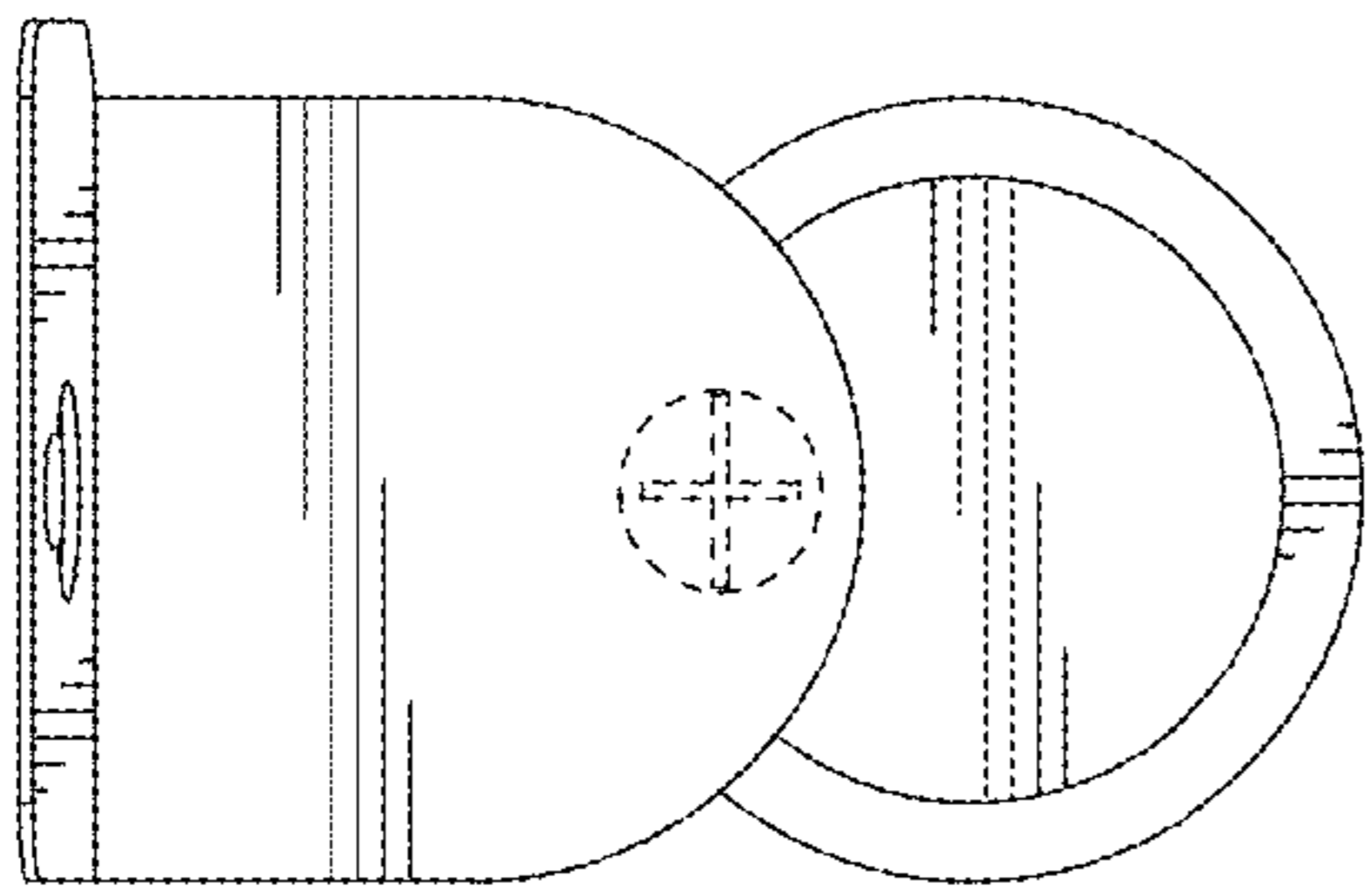


FIG. 2

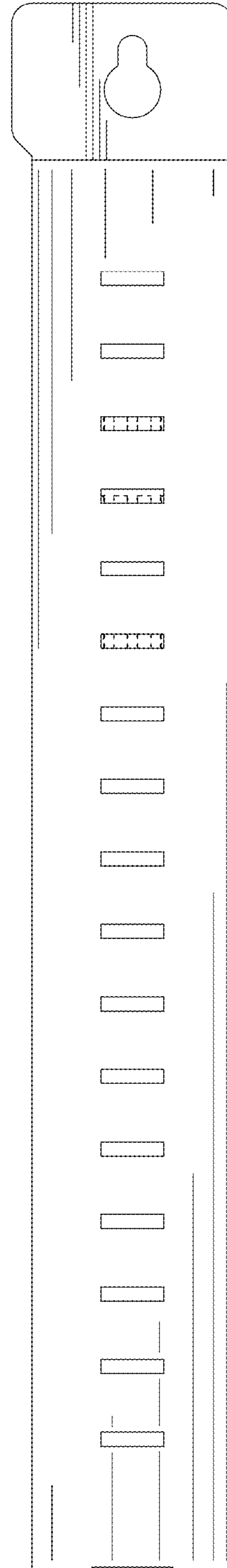


FIG. 3

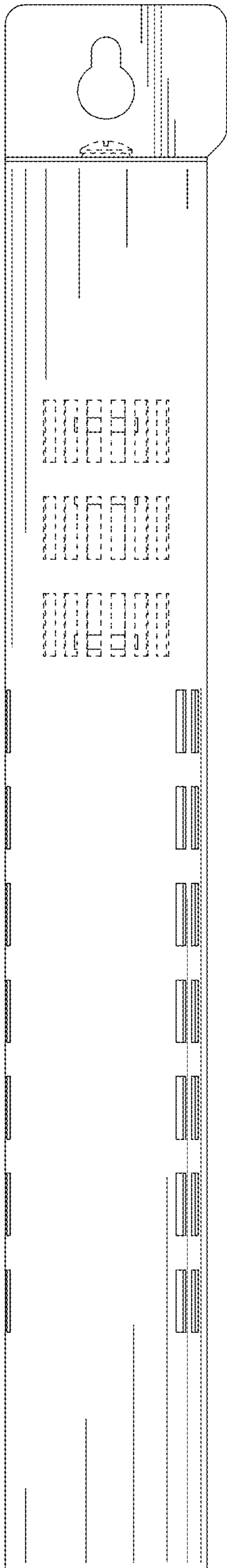


FIG. 4

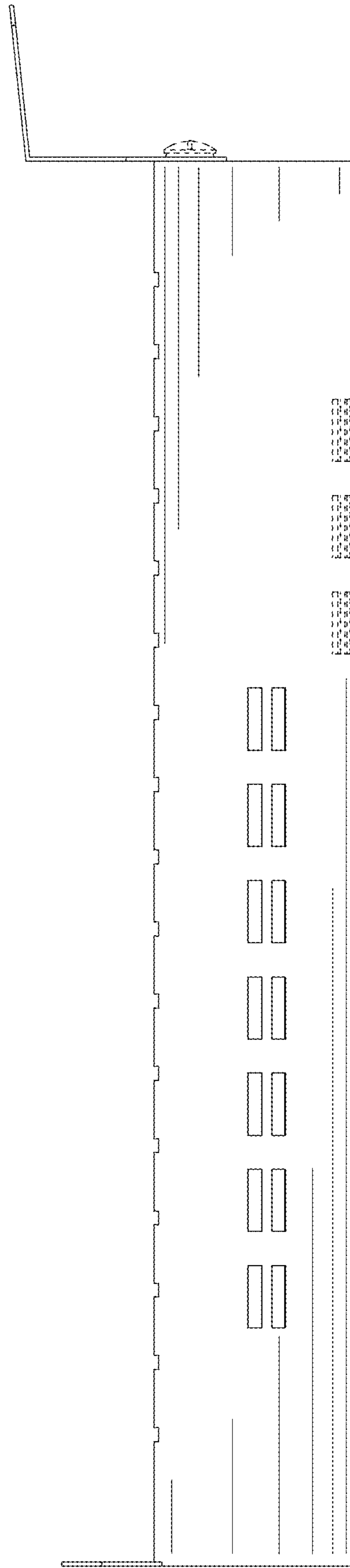


FIG. 5

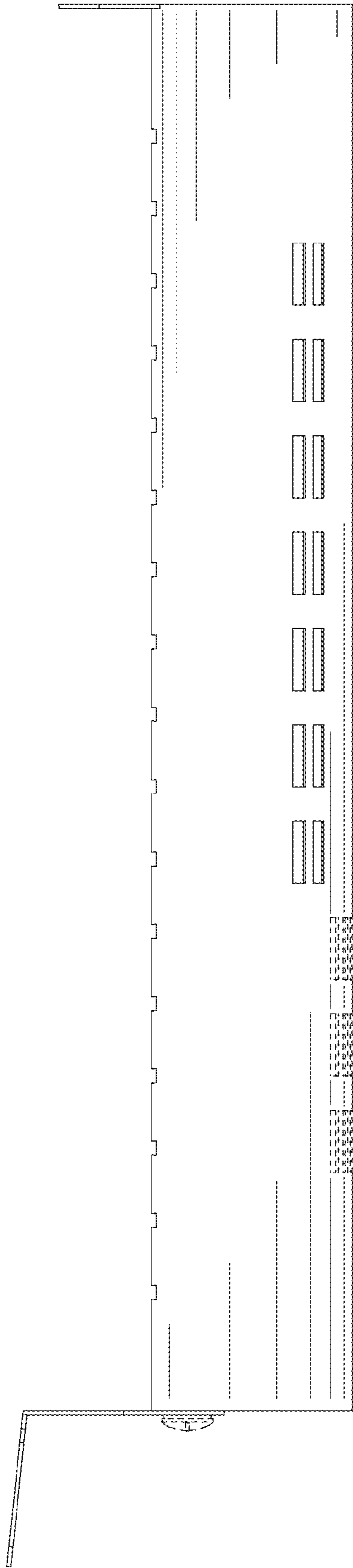


FIG. 6

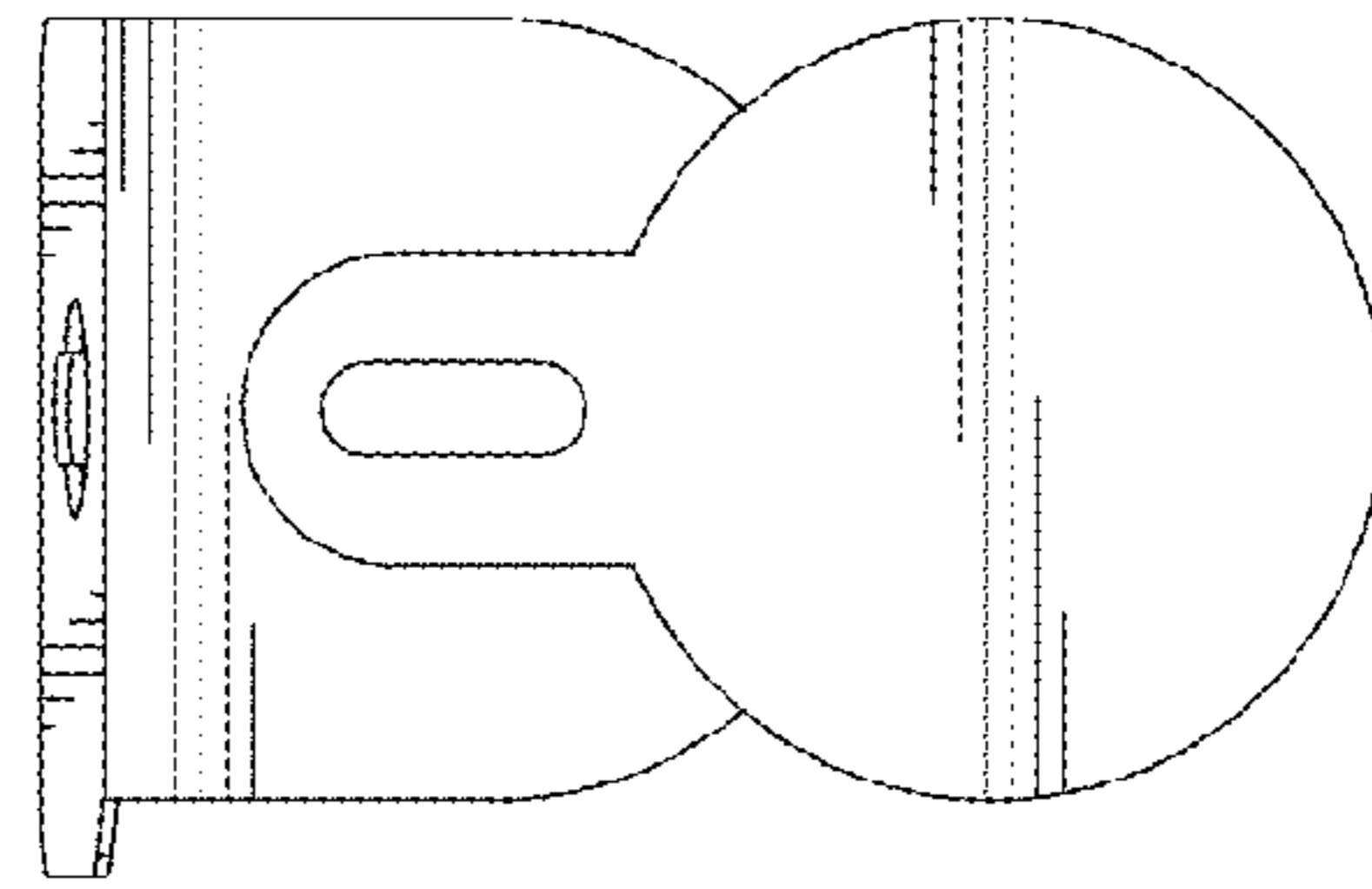


FIG. 7

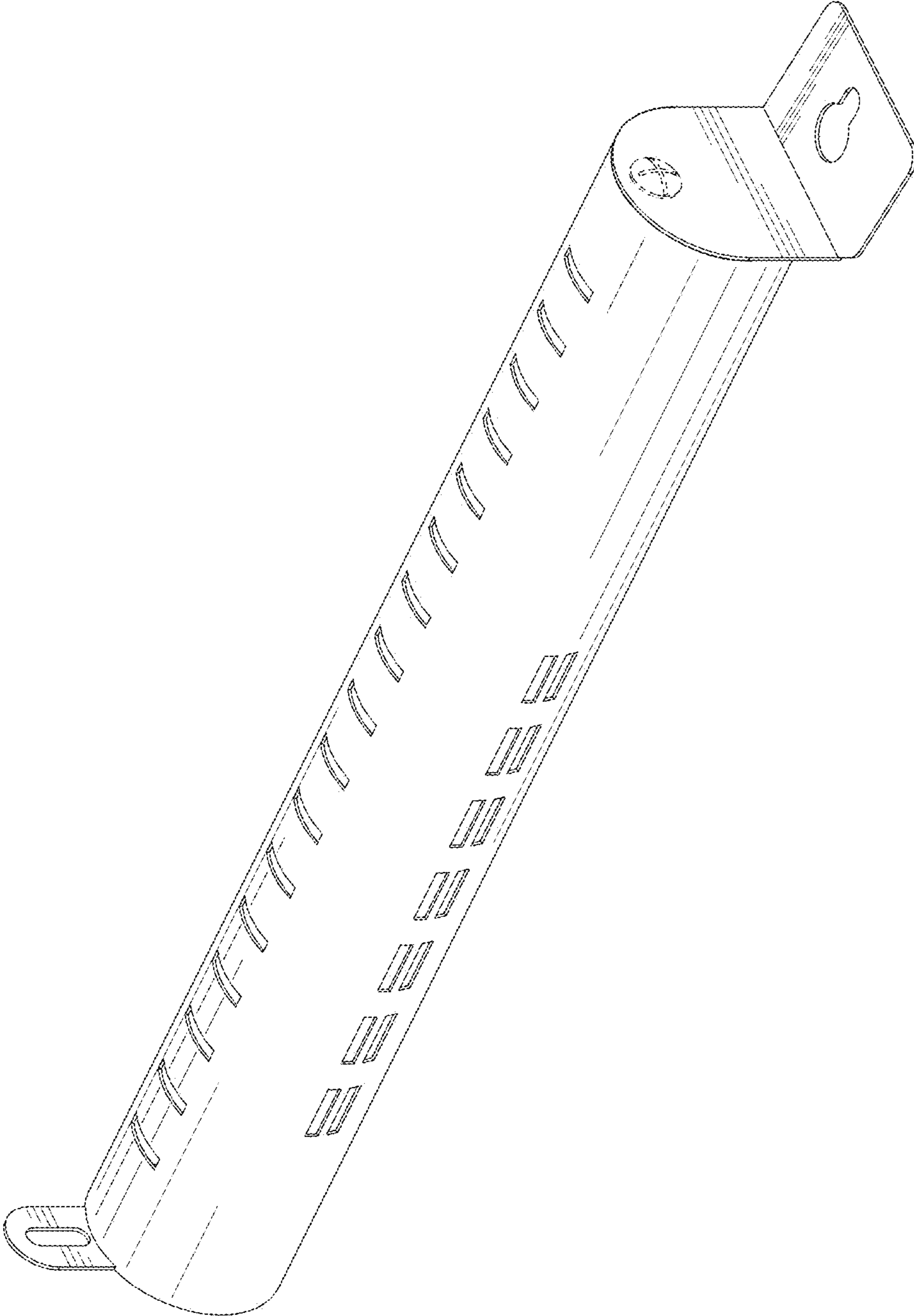


FIG. 8

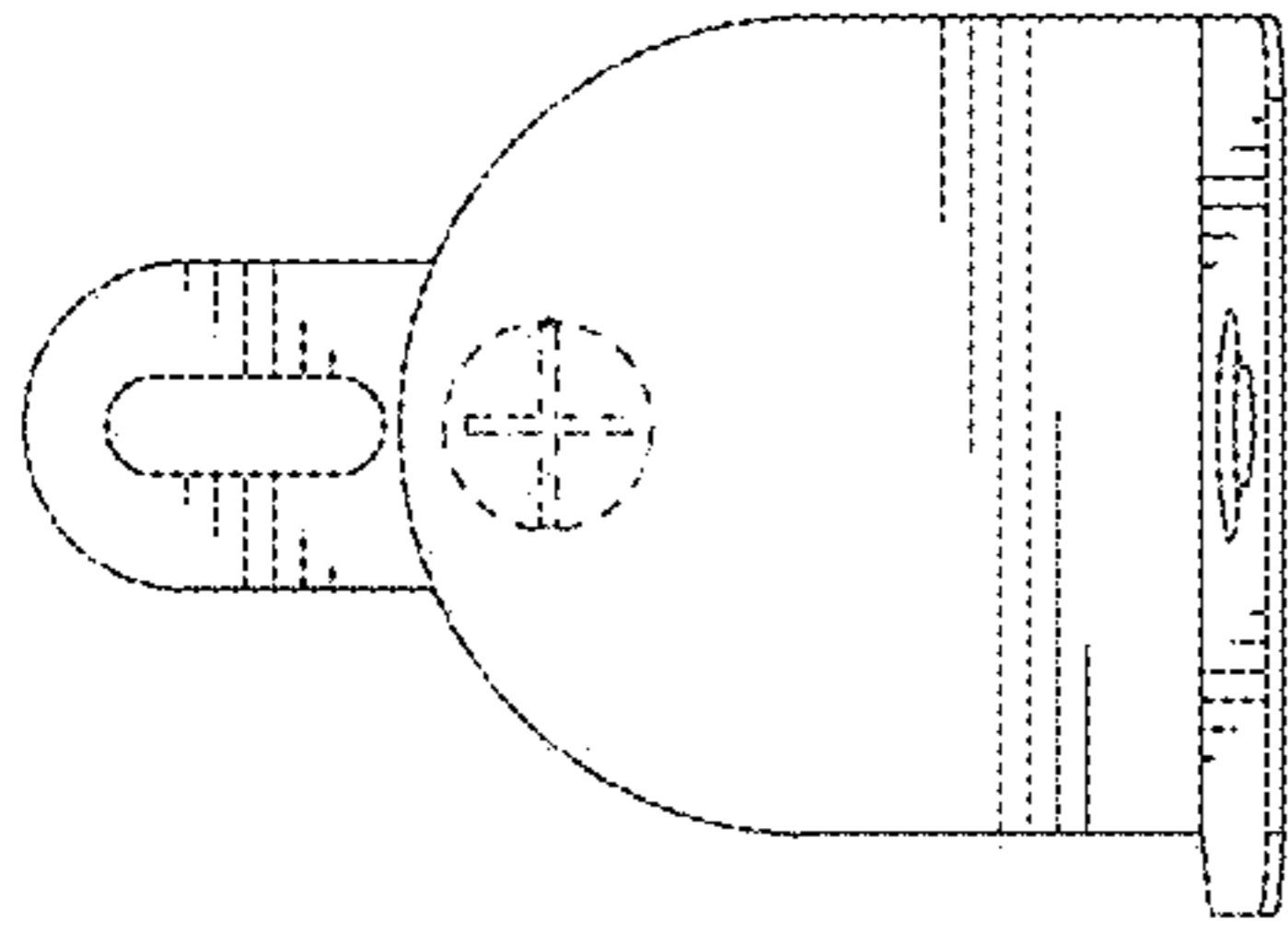


FIG. 9

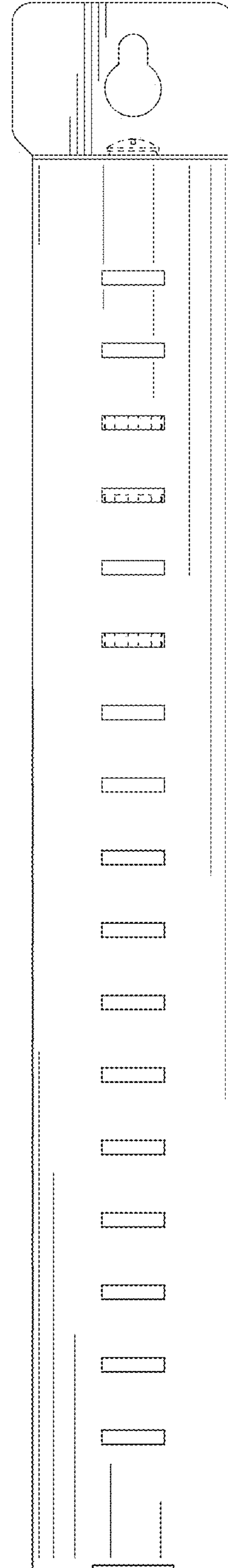


FIG. 10

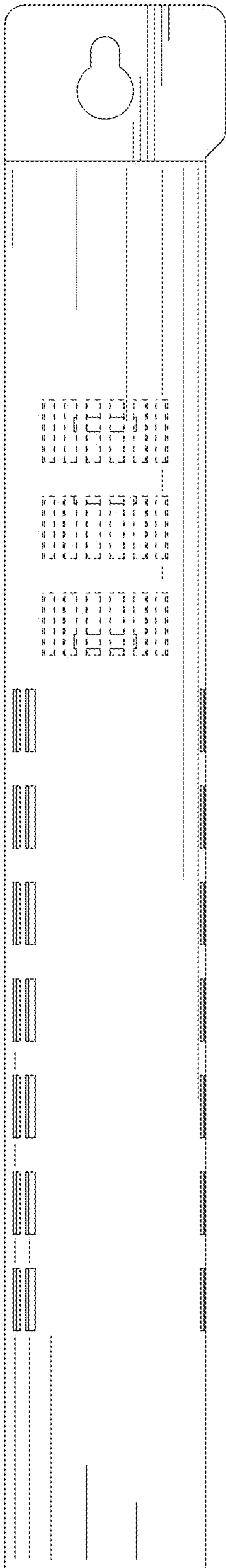


FIG. 11

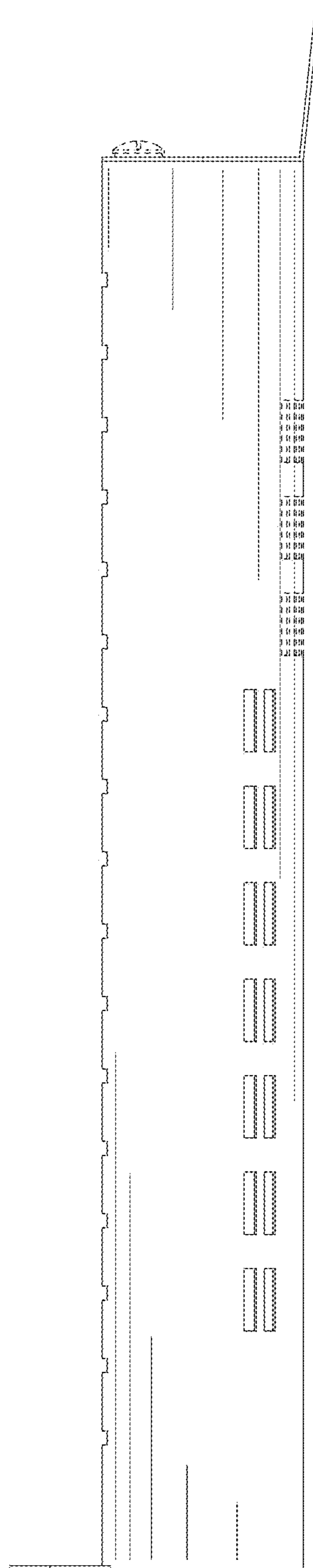


FIG. 12

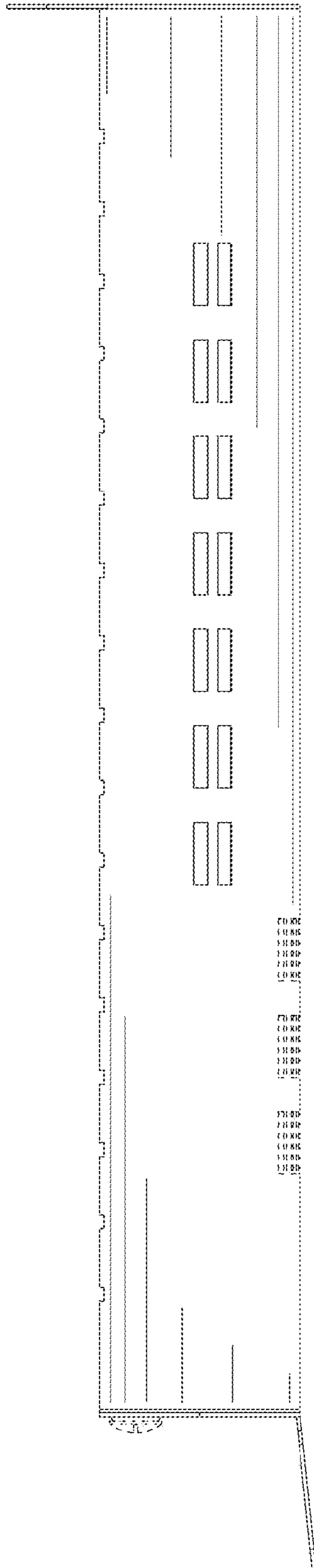


FIG. 13

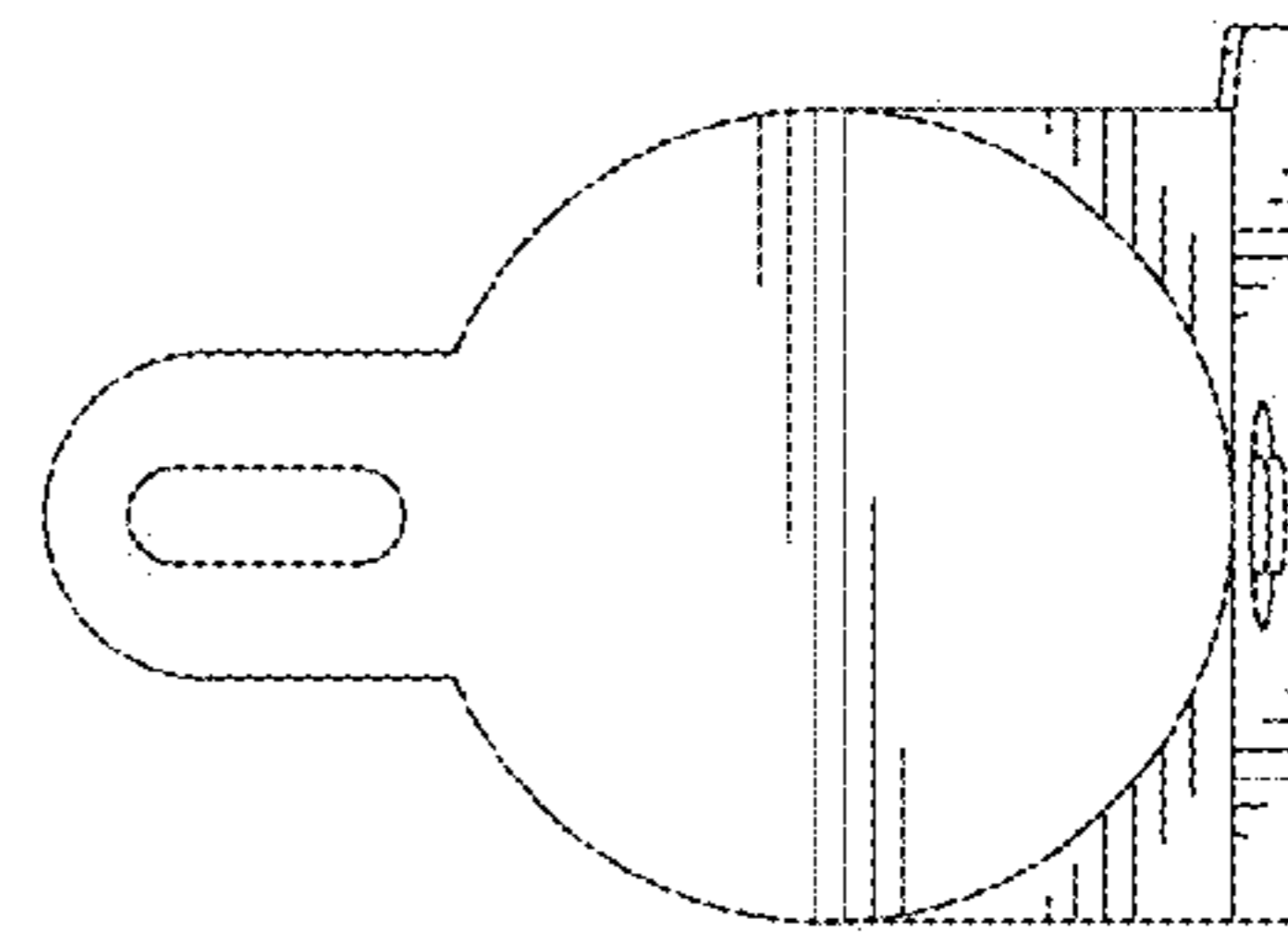


FIG. 14