



US00D914446S

(12) **United States Design Patent** (10) **Patent No.:** **US D914,446 S**
Schilt et al. (45) **Date of Patent:** **** Mar. 30, 2021**

(54) **CONTROLLER FOR COOKING APPARATUS**

FOREIGN PATENT DOCUMENTS

(71) Applicant: **Weber-Stephen Products LLC**,
Palatine, IL (US)

CN 209186432 * 8/2019 A47J 37/07

(72) Inventors: **Angela Schilt**, Mundelein, IL (US);
Kevin Glennon, Hoffman Estates, IL (US);
Jonas Lagerstedt, Brooklyn, NY (US);
Nikhil Bhogal, San Francisco, CA (US);
Dustin Mierau, Portland, OR (US)

OTHER PUBLICATIONS

Design No. 305411991, Nov. 1, 2019—China National Intellectual Property Administration (CNIPA) Publication Date—Nov. 1, 2019
Owner—Logan Outdoor Goods Co Ltd, Designer—Brett Bennett et. al. WIPO, available at <https://www3.wipo.int/designdb/en/index.jsp> (Year: 2019).*

(Continued)

(73) Assignee: **WEBER-STEPHEN PRODUCTS LLC**, Palatine, IL (US)

Primary Examiner — Mary Ann Calabrese
Assistant Examiner — Natalya M Rapundalo
(74) *Attorney, Agent, or Firm* — Hanley, Flight & Zimmerman, LLC

(**) Term: **15 Years**

(21) Appl. No.: **29/702,178**

(22) Filed: **Aug. 16, 2019**

(57) **CLAIM**

The ornamental design for a “controller for cooking apparatus”, as shown and described.

Related U.S. Application Data

(63) Continuation of application No. 29/694,208, filed on Jun. 7, 2019.

DESCRIPTION

(51) **LOC (13) Cl.** **07-02**

(52) **U.S. Cl.**
USPC **D7/406**

(58) **Field of Classification Search**
USPC D7/323, 332, 334, 337, 338, 339, 362,
D7/387, 402, 406, 409; D6/601
CPC .. A47J 36/00; A47J 37/00; A47J 37/04; A47J
37/06; A47J 37/0664; A47J 37/07; A47J
37/0704; A47J 37/0713; A47J 37/0709;
A47J 37/0718; A47J 37/0727; A47J
(Continued)

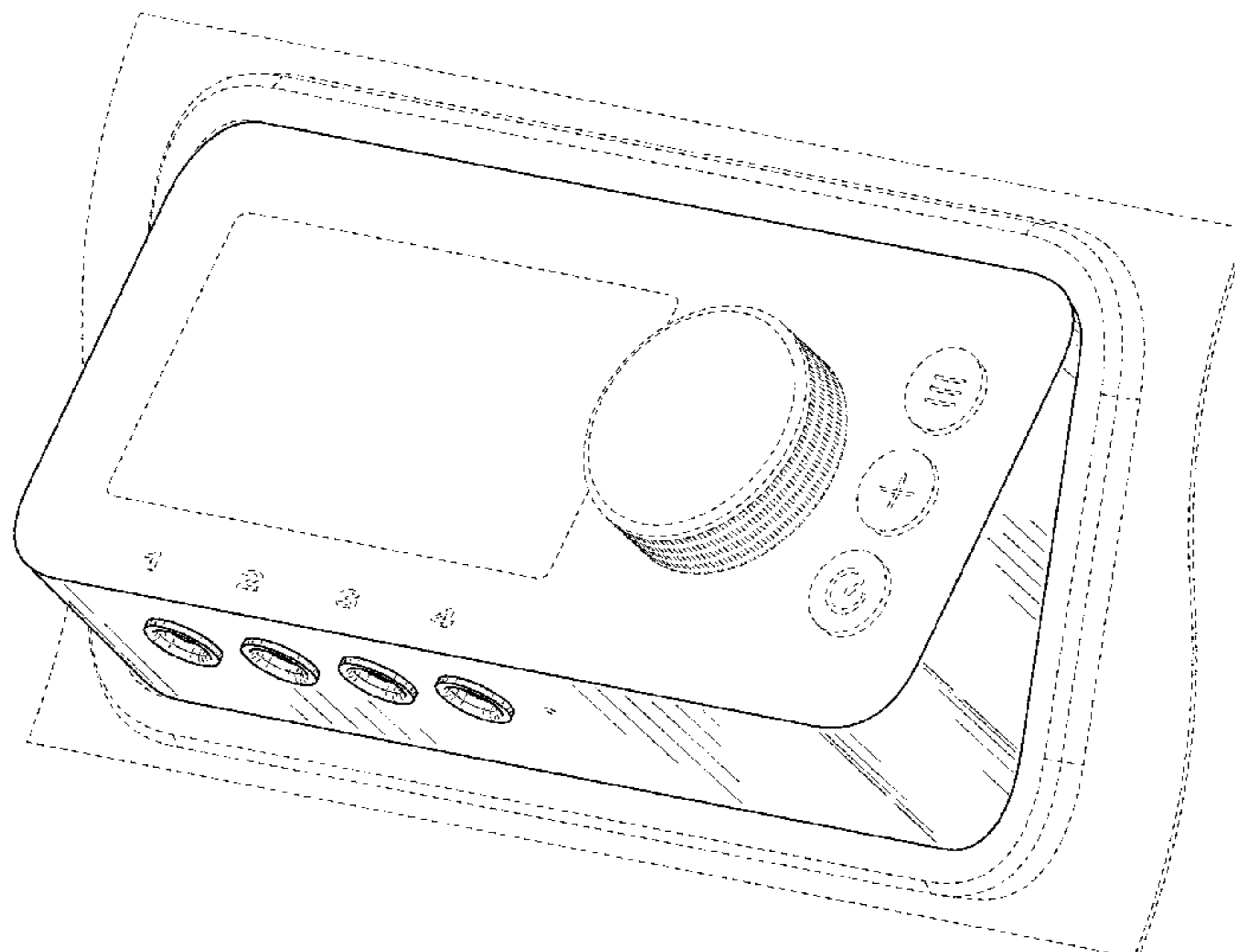
FIG. 1 is a front right perspective view of a controller for cooking apparatus. The example controller of FIG. 1 is shown coupled to a panel of a cooking apparatus. FIG. 2 is a front left perspective view of the controller of FIG. 1. FIG. 3 is a rear perspective view of the controller of FIG. 1. FIG. 4 is a front view of the controller of FIG. 1. FIG. 5 is a rear view of the controller of FIG. 1. FIG. 6 is a right side view of the controller of FIG. 1. FIG. 7 is a left side view of the controller of FIG. 1. FIG. 8 is a top view of the controller of FIG. 1; and, FIG. 9 is a bottom view of the controller of FIG. 1. The features shown in broken lines form no part of the claimed design. The lighter solid lines denote surfaces and contours. Line shading is not surface ornamentation.

(56) **References Cited**

U.S. PATENT DOCUMENTS

6,223,737 B1 5/2001 Buckner
D582,862 S * 12/2008 Landerholm D13/162
(Continued)

1 Claim, 9 Drawing Sheets



(58) **Field of Classification Search**

CPC 37/0731; A47J 37/0736; A47J 37/0768;
A47J 37/0786; A47J 2037/0617; A47J
2037/0795; F24B 13/00; F24B 13/02;
F24B 13/04

See application file for complete search history.

(56) **References Cited**

U.S. PATENT DOCUMENTS

7,900,553	B1	3/2011	Maurin	
8,833,360	B2	9/2014	Knight	
D731,132	S *	6/2015	Ha	H04L 67/125 D32/28
D733,483	S	7/2015	Baker et al.	
9,186,020	B1	11/2015	Phillips	
D760,539	S	7/2016	Colston	
9,585,518	B1	3/2017	Phillips	
9,635,978	B2	5/2017	Measom et al.	
9,913,559	B2	3/2018	Polter et al.	
10,105,007	B2	10/2018	Colston et al.	
10,213,051	B2	2/2019	Colston et al.	
10,330,322	B2	6/2019	Measom et al.	
D878,936	S *	3/2020	Yu	F24C 3/008 D10/57 D6/601
D880,901	S *	4/2020	Raad	
2013/0174834	A1	7/2013	Measom et al.	
2013/0298894	A1	11/2013	Kleinsasser	
2017/0065124	A1	3/2017	Colston	
2017/0164783	A1	6/2017	Sauerwein et al.	
2018/0168395	A1	6/2018	Colston	
2018/0168397	A1	6/2018	Colston	
2019/0110641	A1 *	4/2019	Lee	F24C 3/008
2019/0150663	A1	5/2019	Colston et al.	
2019/0254473	A1 *	8/2019	Anthony	A47J 37/067
2020/0040926	A1 *	2/2020	Colston	F16B 12/52
2020/0240643	A1 *	7/2020	Donnelly	H04L 67/125
2020/0281402	A1 *	9/2020	Witzel	F23B 40/02

OTHER PUBLICATIONS

Weber SmokeFire Pellet Grill Review, first available Nov. 27, 2019, YouTube, [online], [site visited Dec. 17, 2020], Available from internet URL: <https://www.youtube.com/watch?v=iRSdgBebvLY&feature=youtu.be> (Year: 2019).*

Design No. 007143748-0001-0004, Oct. 30, 2019—European Union Intellectual Property Office (EUIPO) Publication Date—Jan. 30, 2020 Owner—Weber-Stephen Products LLC, Designer—Angela Schilt et. al. DesignView, available at www.tmdn.org/tmdsview-web/welcome (Year: 2020).*

Design No. 305771754, May 12, 2020—China National Intellectual Property Administration (CNIPA) Publication Date—May 12, 2020 Owner—Weber-Stephen Products Co, Designer—Hirth Andreas et. al. WIPO, available at <https://www3.wipo.int/designdb/en/index.jsp> (Year: 2020).*

Design No. 305816794, Jun. 2, 2020—China National Intellectual Property Administration (CNIPA) Publication Date—Jun. 2, 2020 Owner—Weber-Stephen Products Co, Designer—D. Bennian et. al. WIPO, available at <https://www3.wipo.int/designdb/en/index.jsp> (Year: 2020).*

Broil King Pellet 500 Pro, Lowes, [online], [site visited Dec. 21, 2020], Available from internet URL: <https://www.lowes.com/pd/Broil-King-Pellet-500-Pro-630-sq-in-Black-Pellet-Grill/1000894100> (Year: 2020).*

SmokeFire EX4 (2nd Gen) Wood Fired Pellet Grill, [online], [site visited Dec. 17, 2020], Available from internet URL: <https://www.weber.com/US/en/grills/wood-pellet-grills/smokefire-series/22510201.html> (Year: 2020).*

SmokeFire EX6 (2nd Gen) Wood Fired Pellet Grill, [online], [site visited Dec. 17, 2020], Available from internet URL: <https://www.weber.com/US/en/grills/wood-pellet-grills/smokefire-series/23510201.html> (Year: 2020).*

China National Intellectual Property Administration, “Notice of Decision of Grant of Patent Right for Design,” issued in connection with Chinese Patent Application No. 201930653634.0, dated Mar. 24, 2020, 4 pages.

* cited by examiner

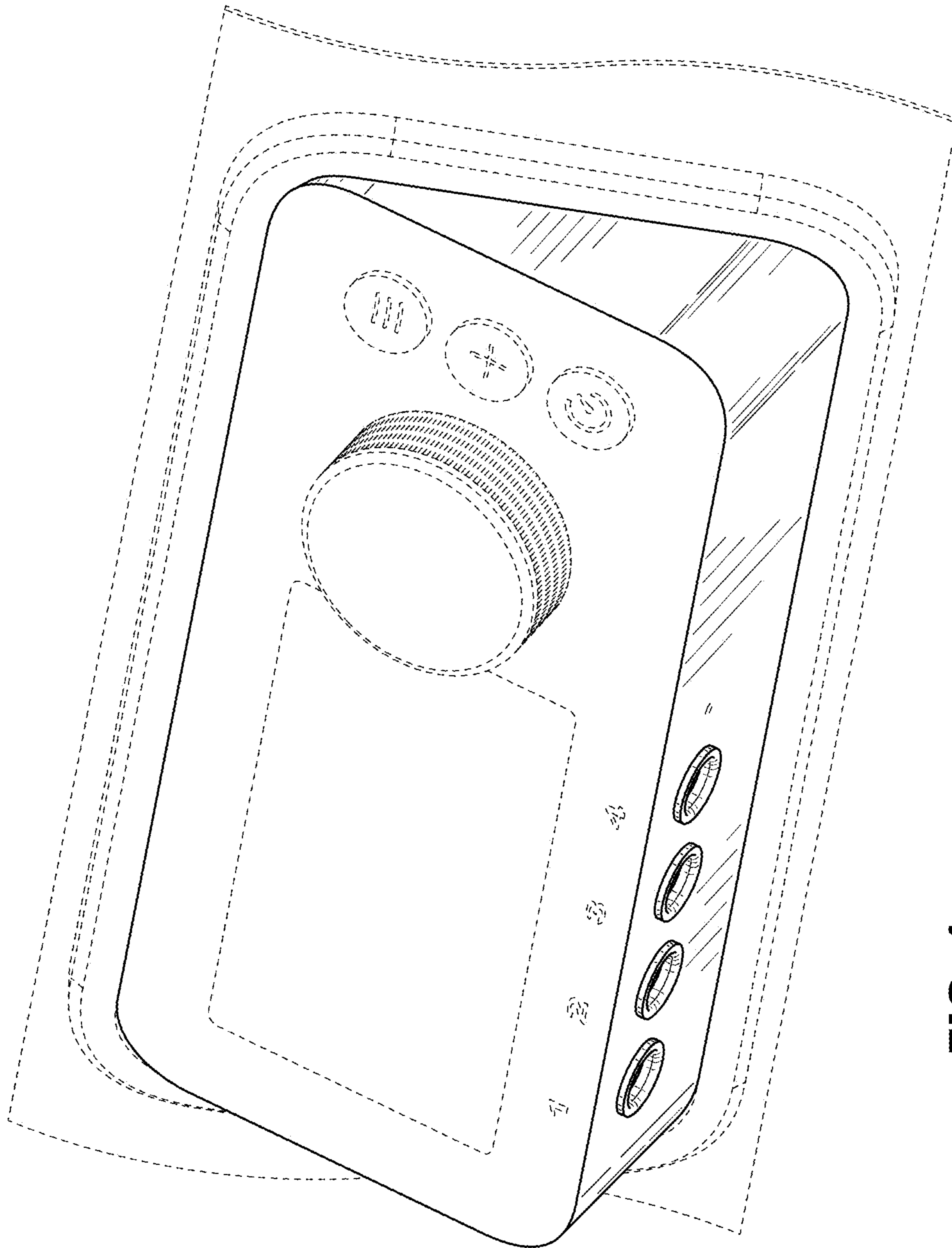


FIG. 1

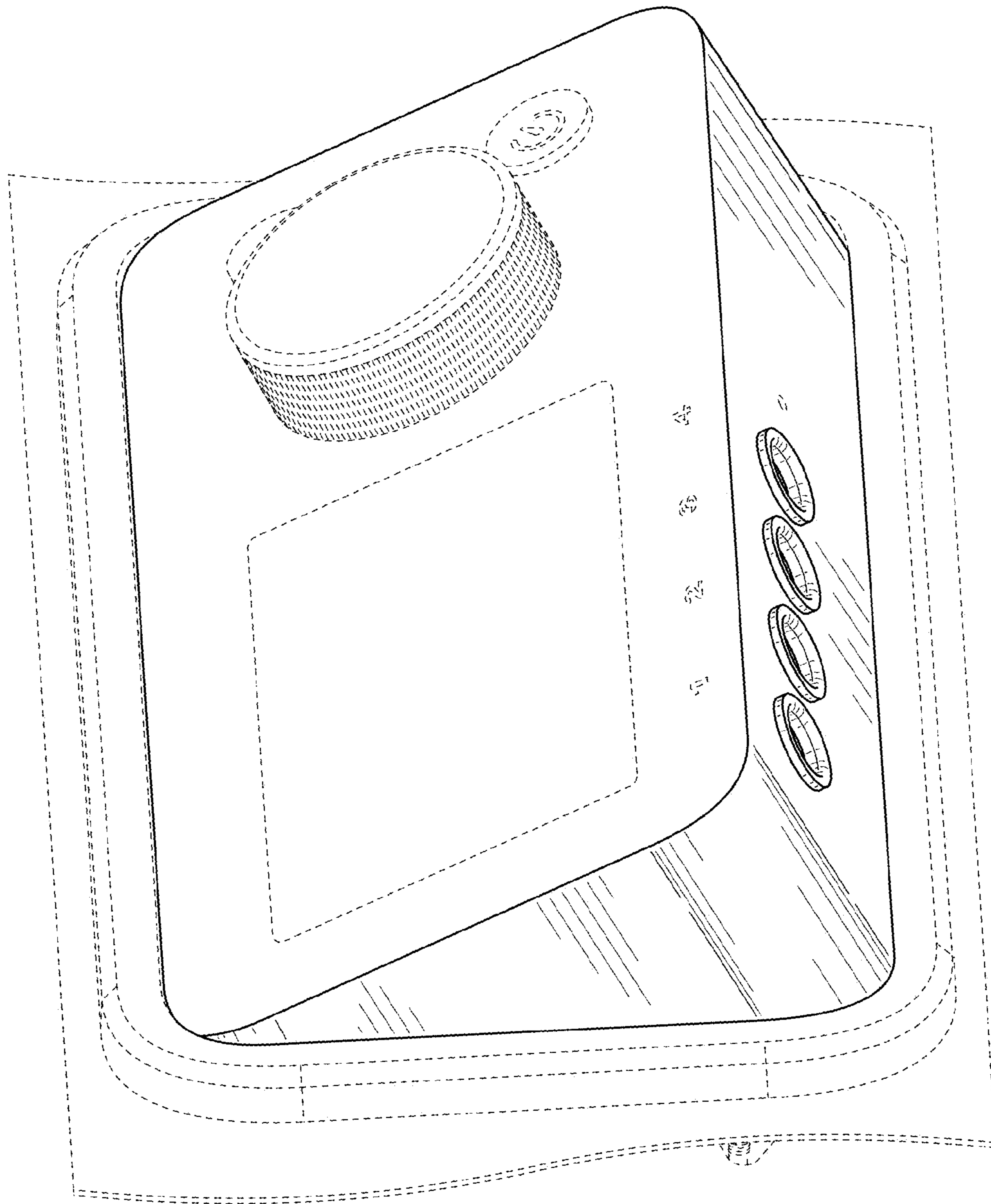


FIG. 2

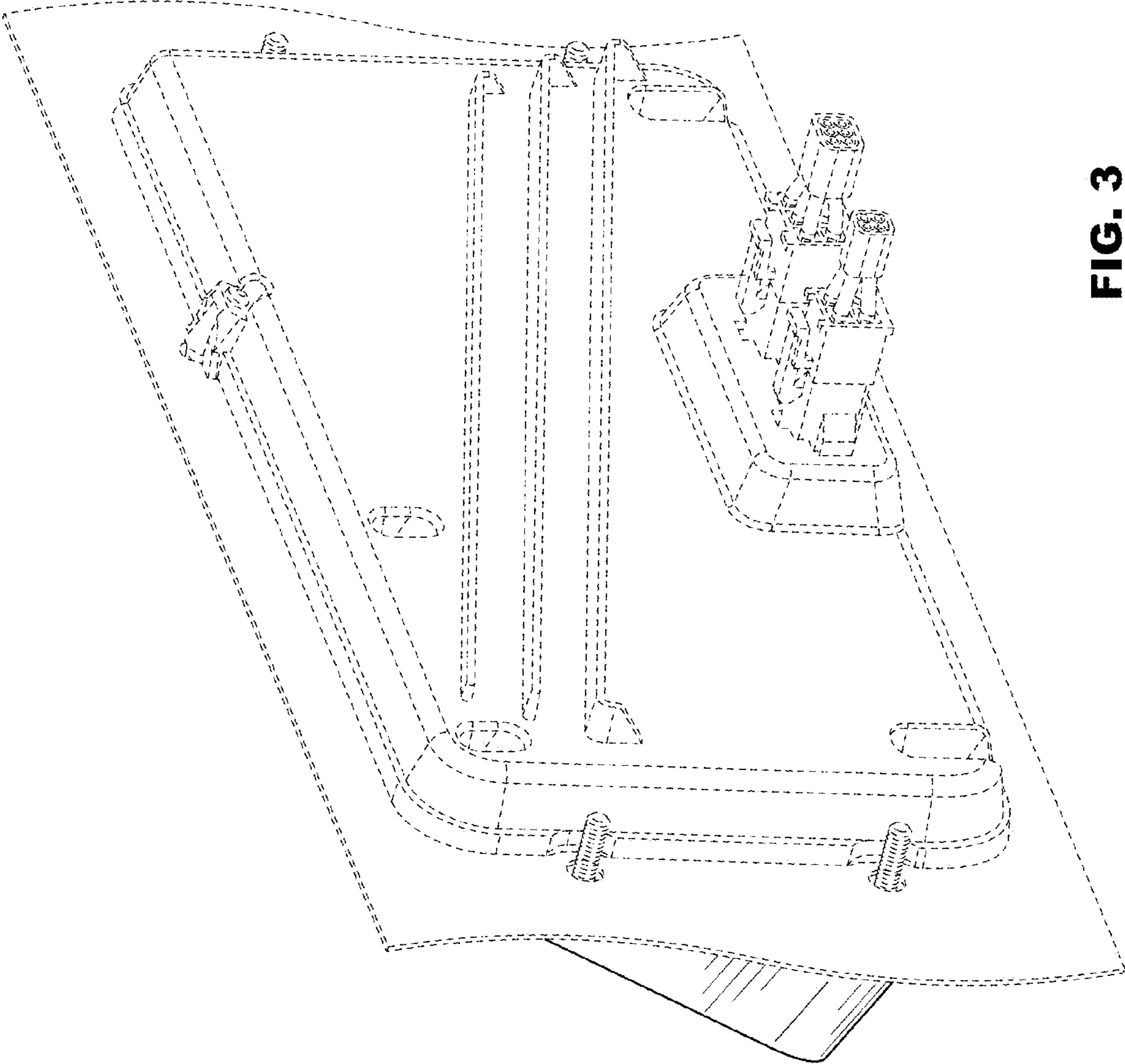


FIG. 3

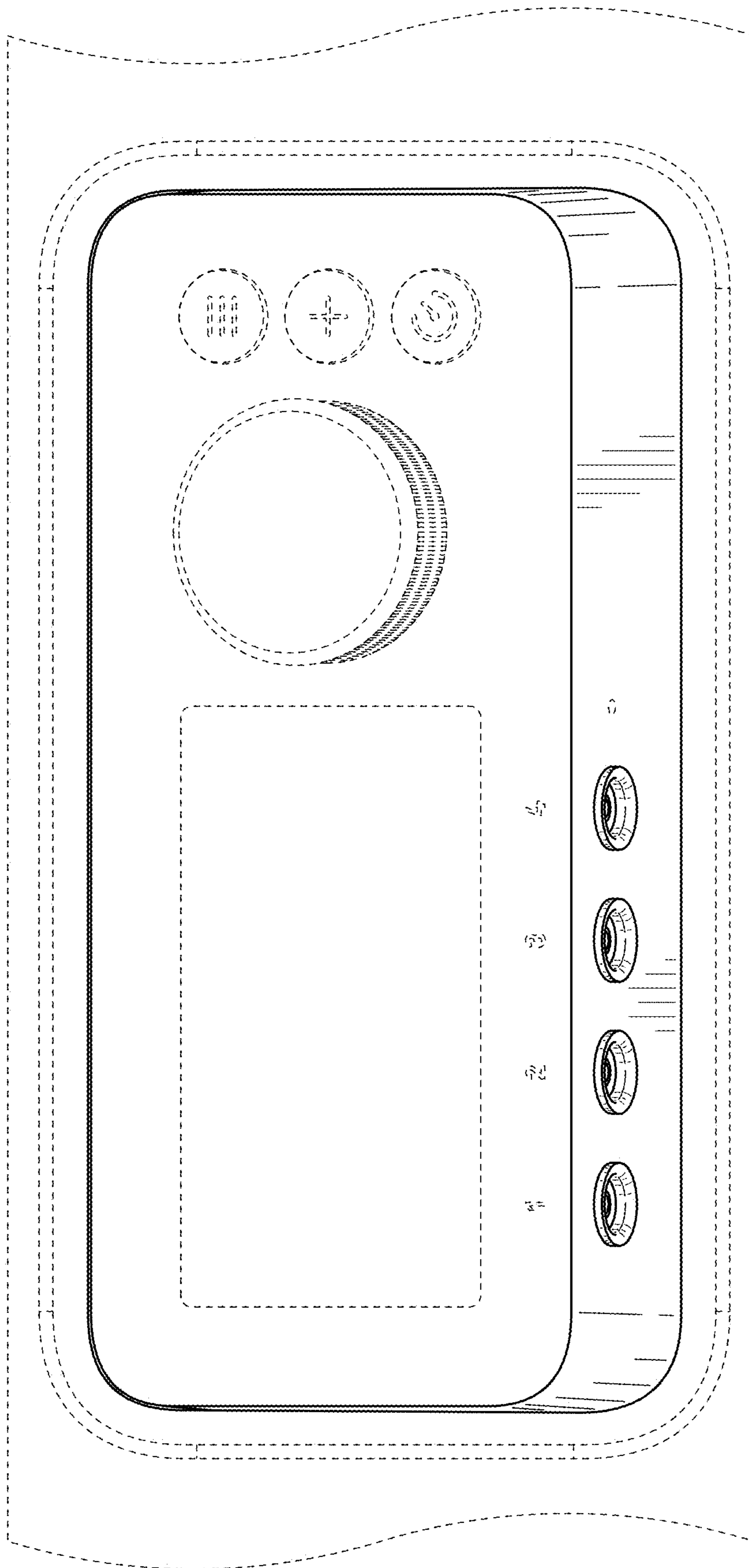


FIG. 4

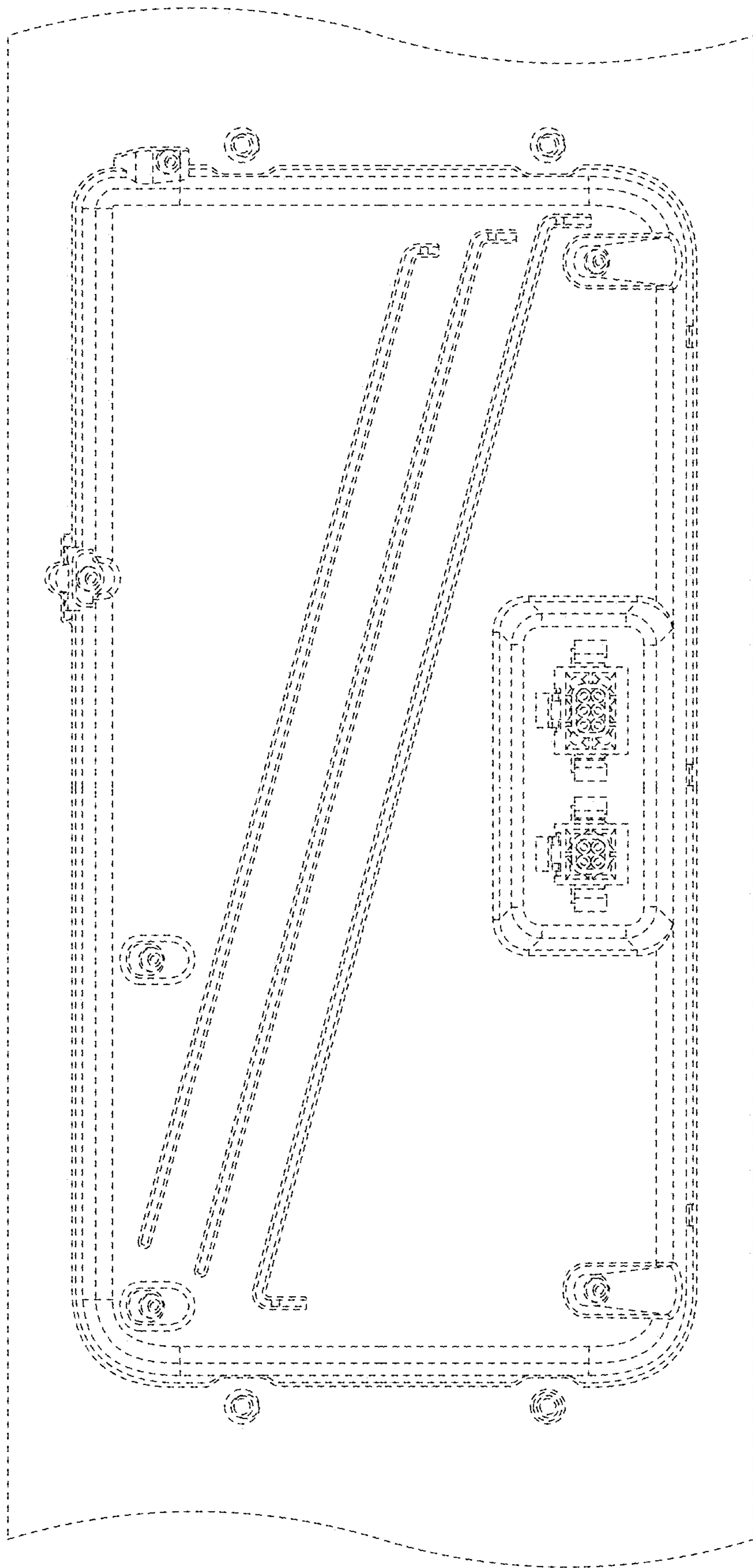


FIG. 5

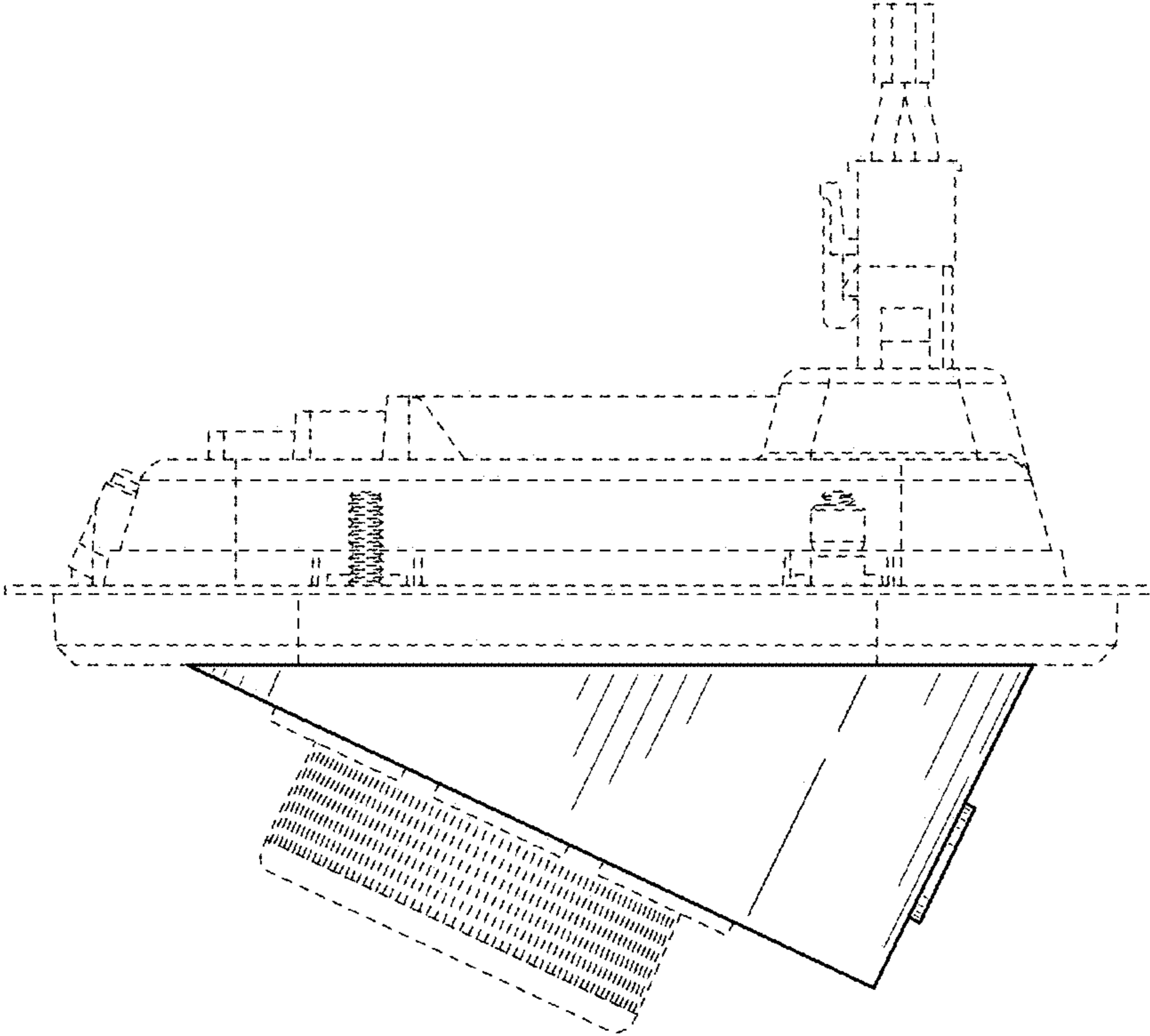


FIG. 6

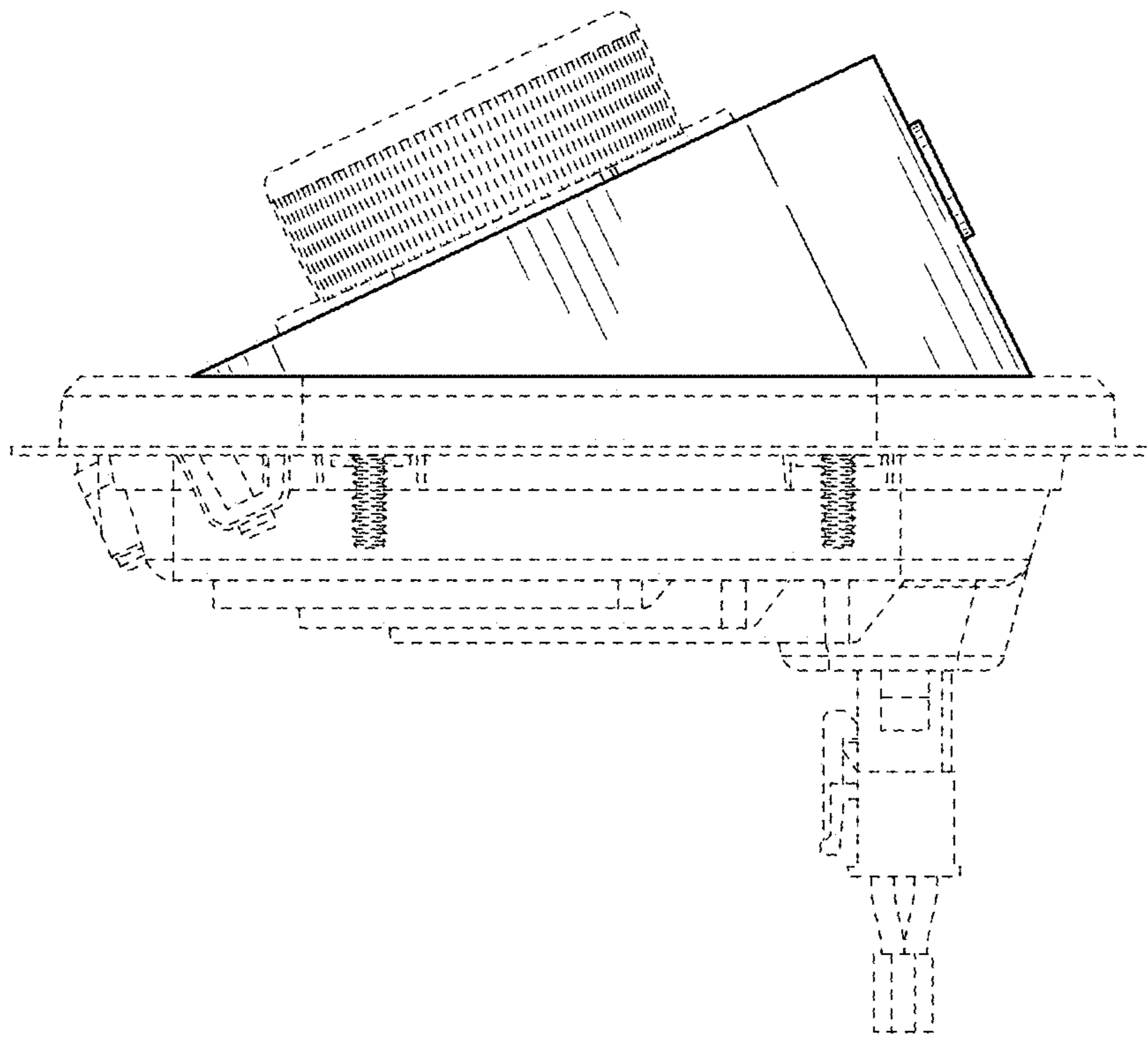


FIG. 7

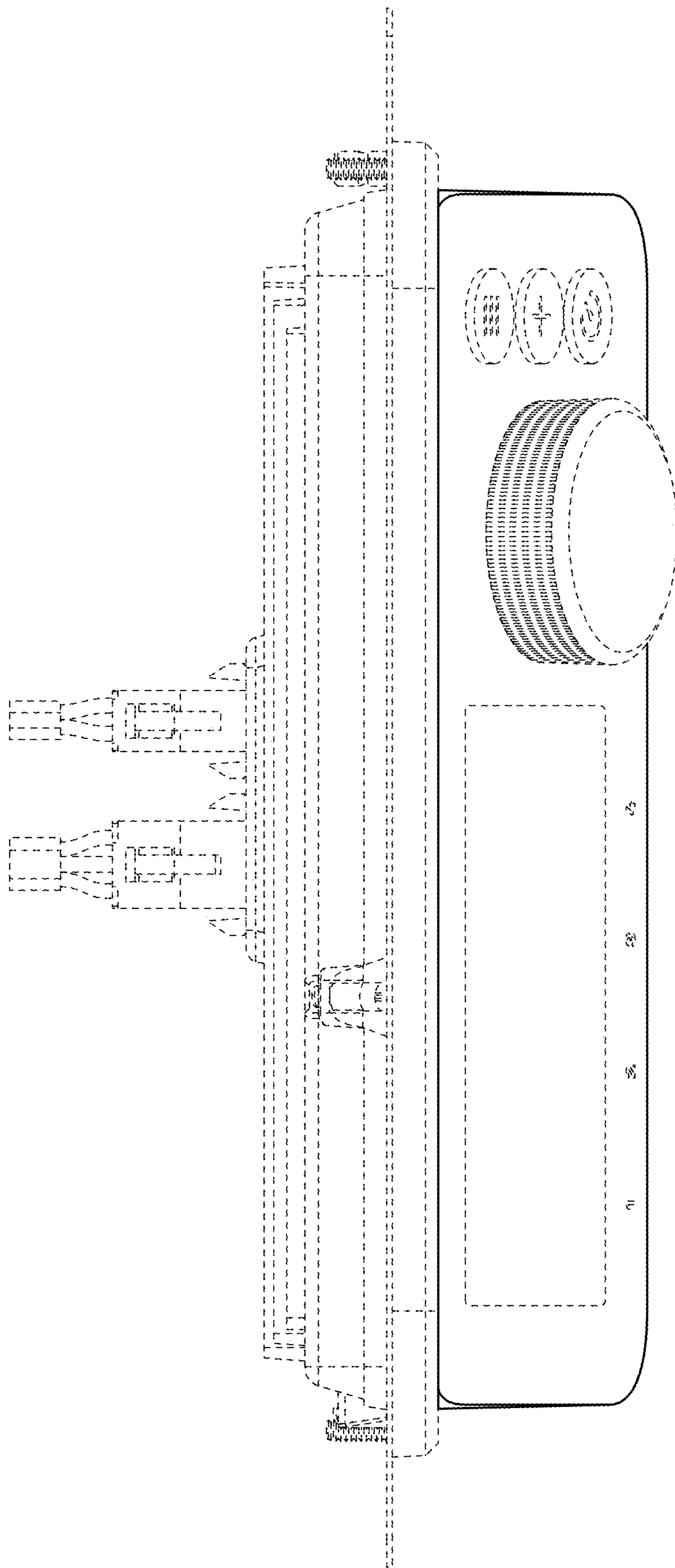


FIG. 8

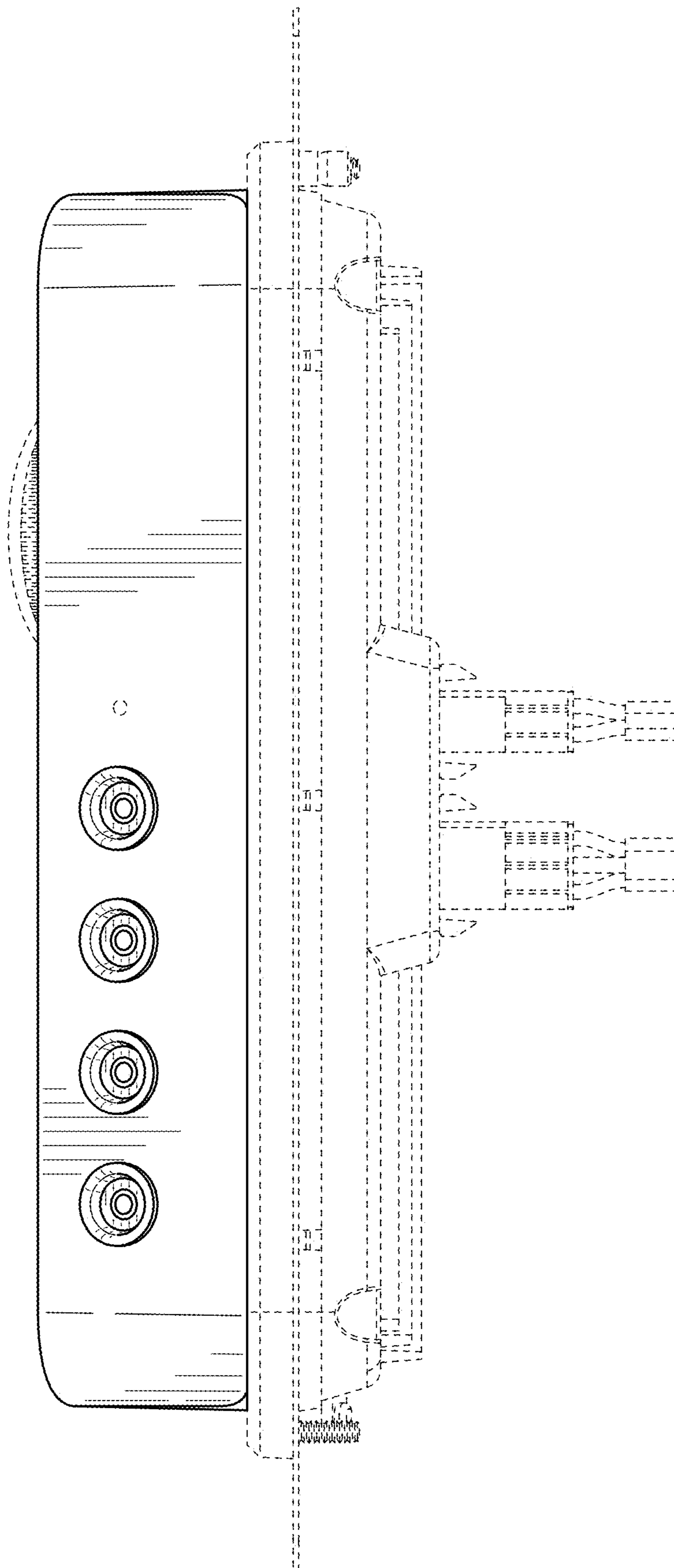


FIG. 9