



US00D914445S

(12) **United States Design Patent** (10) **Patent No.:** **US D914,445 S**
Schilt et al. (45) **Date of Patent:** **** Mar. 30, 2021**

(54) **CONTROLLER FOR COOKING APPARATUS**

FOREIGN PATENT DOCUMENTS

(71) Applicant: **Weber-Stephen Products LLC**,
Palatine, IL (US)

CN 209186432 * 8/2019

(72) Inventors: **Angela Schilt**, Mundelein, IL (US);
Kevin Glennon, Hoffman Estates, IL
(US); **Jonas Lagerstedt**, Brooklyn, NY
(US); **Nikhil Bhogal**, San Francisco,
CA (US); **Dustin Mierau**, Portland, OR
(US)

OTHER PUBLICATIONS

Design No. 305411991, Nov. 1, 2019—China National Intellectual
Property Administration (CNIPA) Publication Date—Nov. 1, 2019
Owner—Logan Outdoor Goods Co Ltd, Designer—Brett Bennett
et. al. WIPO, available at <https://www3.wipo.int/designdb/en/index.jsp> (Year: 2019).*

(Continued)

(73) Assignee: **WEBER-STEPHEN PRODUCTS
LLC**, Palatine, IL (US)

Primary Examiner — Mary Ann Calabrese

Assistant Examiner — Natalya M Rapundalo

(**) Term: **15 Years**

(74) *Attorney, Agent, or Firm* — Hanley, Flight &
Zimmerman, LLC

(21) Appl. No.: **29/702,176**

(22) Filed: **Aug. 16, 2019**

Related U.S. Application Data

(57) **CLAIM**

(63) Continuation of application No. 29/694,208, filed on
Jun. 7, 2019.

The ornamental design for a “controller for cooking appa-
ratus,” as shown and described.

(51) **LOC (13) Cl.** **07-02**

(52) **U.S. Cl.**
USPC **D7/406**

(58) **Field of Classification Search**
USPC D7/323, 332, 334, 337, 338, 339, 362,
D7/387, 402, 406, 409; D6/601
CPC .. A47J 36/00; A47J 37/00; A47J 37/04; A47J
37/06; A47J 37/0664; A47J 37/07; A47J
37/0704; A47J 37/0713; A47J 37/0709;
A47J 37/0718; A47J 37/0727; A47J
37/0731; A47J 37/0768; A47J 37/0786;

DESCRIPTION

FIG. 1 is a front right perspective view of a controller for
cooking apparatus. The example controller of FIG. 1 is
shown coupled to a panel of a cooking apparatus.
FIG. 2 is a front left perspective view of the controller of
FIG. 1.
FIG. 3 is a rear perspective view of the controller of FIG. 1.
FIG. 4 is a front view of the controller of FIG. 1.
FIG. 5 is a rear view of the controller of FIG. 1.
FIG. 6 is a right side view of the controller of FIG. 1.
FIG. 7 is a left side view of the controller of FIG. 1.
FIG. 8 is a top view of the controller of FIG. 1; and,
FIG. 9 is a bottom view of the controller of FIG. 1.
The features shown in broken lines form no part of the
claimed design.

(Continued)

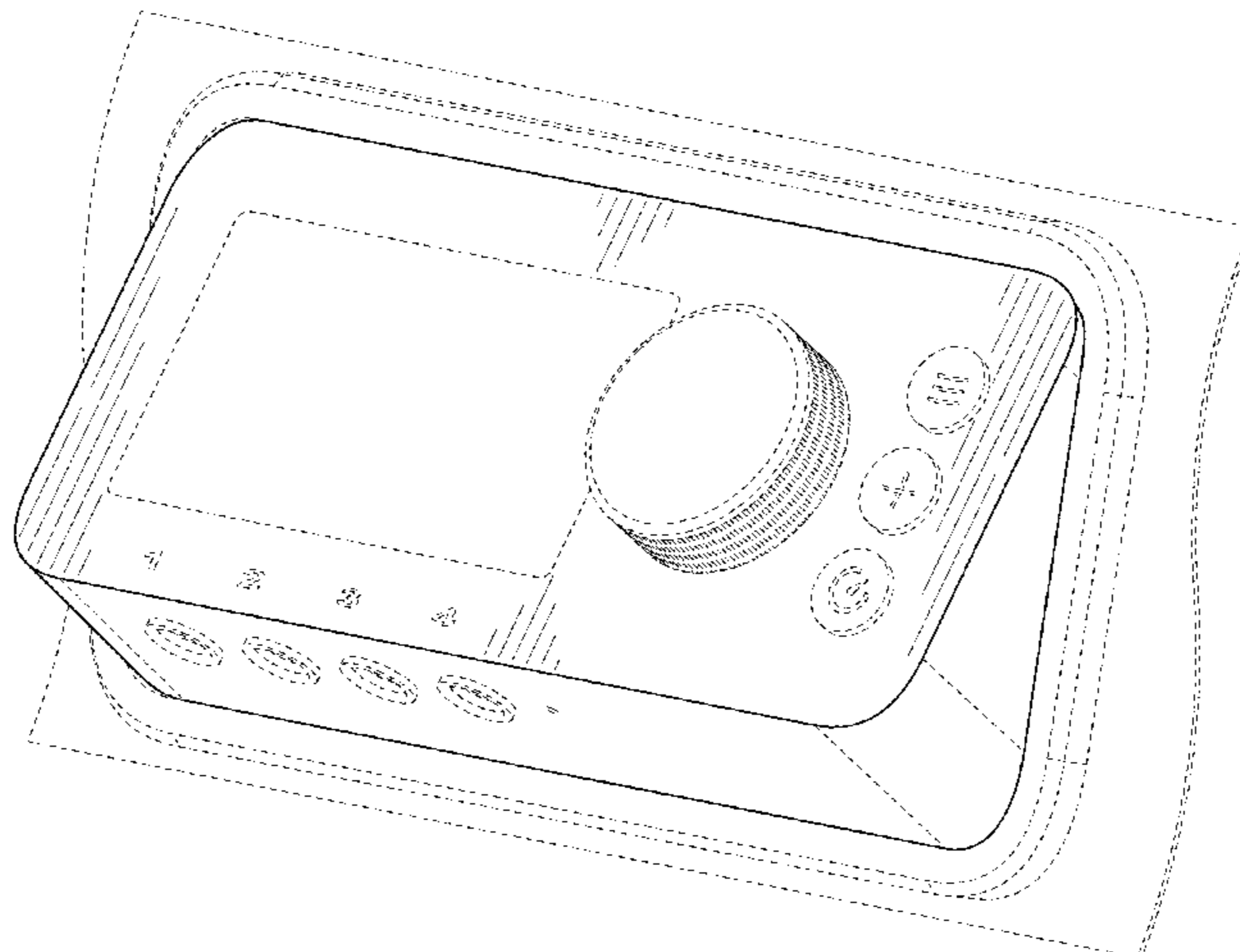
(56) **References Cited**

U.S. PATENT DOCUMENTS

6,223,737 B1 5/2001 Buckner
D582,862 S * 12/2008 Landerholm D13/162
7,900,553 B1 3/2011 Maurin

(Continued)

1 Claim, 9 Drawing Sheets



(58) **Field of Classification Search**

CPC A47J 2037/0617; A47J 2037/0795; F24B
13/00; F24B 13/02; F24B 13/04

See application file for complete search history.

(56) **References Cited**

U.S. PATENT DOCUMENTS

8,833,360 B2	9/2014	Knight	
D731,132 S *	6/2015	Ha	H04L 67/125 D32/28
D733,483 S	7/2015	Baker et al.	
9,186,020 B1	11/2015	Phillips	
D760,539 S	7/2016	Colston	
9,585,518 B1	3/2017	Phillips	
9,635,978 B2	5/2017	Measom et al.	
9,913,559 B2	3/2018	Polter et al.	
10,105,007 B2	10/2018	Colston et al.	
10,213,051 B2	2/2019	Colston et al.	
10,330,322 B2	6/2019	Measom et al.	
D878,936 S *	3/2020	Yu	F24C 3/008 D10/57
D880,901 S *	4/2020	Raad	D6/601
2013/0174834 A1	7/2013	Measom et al.	
2013/0298894 A1	11/2013	Kleinsasser	
2017/0065124 A1	3/2017	Colston	
2017/0164783 A1	6/2017	Sauerwein et al.	
2018/0168395 A1	6/2018	Colston	
2018/0168397 A1	6/2018	Colston	
2019/0110641 A1 *	4/2019	Lee	F24C 3/008
2019/0150663 A1	5/2019	Colston et al.	
2019/0254473 A1 *	8/2019	Anthony	A47J 37/067
2020/0040926 A1 *	2/2020	Colston	F16B 12/52
2020/0240643 A1 *	7/2020	Donnelly	H04L 67/125
2020/0281402 A1 *	9/2020	Witzel	F23B 40/02

OTHER PUBLICATIONS

Weber SmokeFire Pellet Grill Review, first available Nov. 27, 2019, YouTube, [online], [site visited Dec. 17, 2020], Available from internet URL: <https://www.youtube.com/watch?v=iRSdgBebvLY&feature=youtu.be> (Year: 2019).*

Design No. 007143748-0001-0004, Oct. 30, 2019—European Union Intellectual Property Office (EUIPO) Publication Date—Jan. 30, 2020 Owner—Weber-Stephen Products LLC, Designer—Angela Schilt et. al. DesignView, available at www.tmdn.org/tmdsview-web/welcome (Year: 2020).*

Design No. 305771754, May 12, 2020—China National Intellectual Property Administration (CNIPA) Publication Date—May 12, 2020 Owner—Weber-Stephen Products Co, Designer—Hirth Andreas et. al. WIPO, available at <https://www3.wipo.int/designdb/en/index.jsp> (Year: 2020).*

Design No. 305816794, Jun. 2, 2020—China National Intellectual Property Administration (CNIPA) Publication Date—Jun. 2, 2020 Owner—Weber-Stephen Products Co, Designer—D. Bennian et. al. WIPO, available at <https://www3.wipo.int/designdb/en/index.jsp> (Year: 2020).*

Broil King Pellet 500 Pro, Lowes, [online], [site visited Dec. 21, 2020], Available from internet URL: <https://www.lowes.com/pd/Broil-King-Pellet-500-Pro-630-sq-in-Black-Pellet-Grill/1000894100> (Year: 2020).*

SmokeFire EX4 (2nd Gen) Wood Fired Pellet Grill, [online], [site visited Dec. 17, 2020], Available from internet URL: <https://www.weber.com/US/en/grills/wood-pellet-grills/smokefire-series/22510201.html> (Year: 2020).*

SmokeFire EX6 (2nd Gen) Wood Fired Pellet Grill, [online], [site visited Dec. 17, 2020], Available from internet URL: <https://www.weber.com/US/en/grills/wood-pellet-grills/smokefire-series/23510201.html> (Year: 2020).*

China National Intellectual Property Administration, “Notice of Decision of Grant of Patent Right for Design,” issued in connection with Chinese Patent Application No. 201930653634.0, dated Mar. 24, 2020, 4 pages.

* cited by examiner

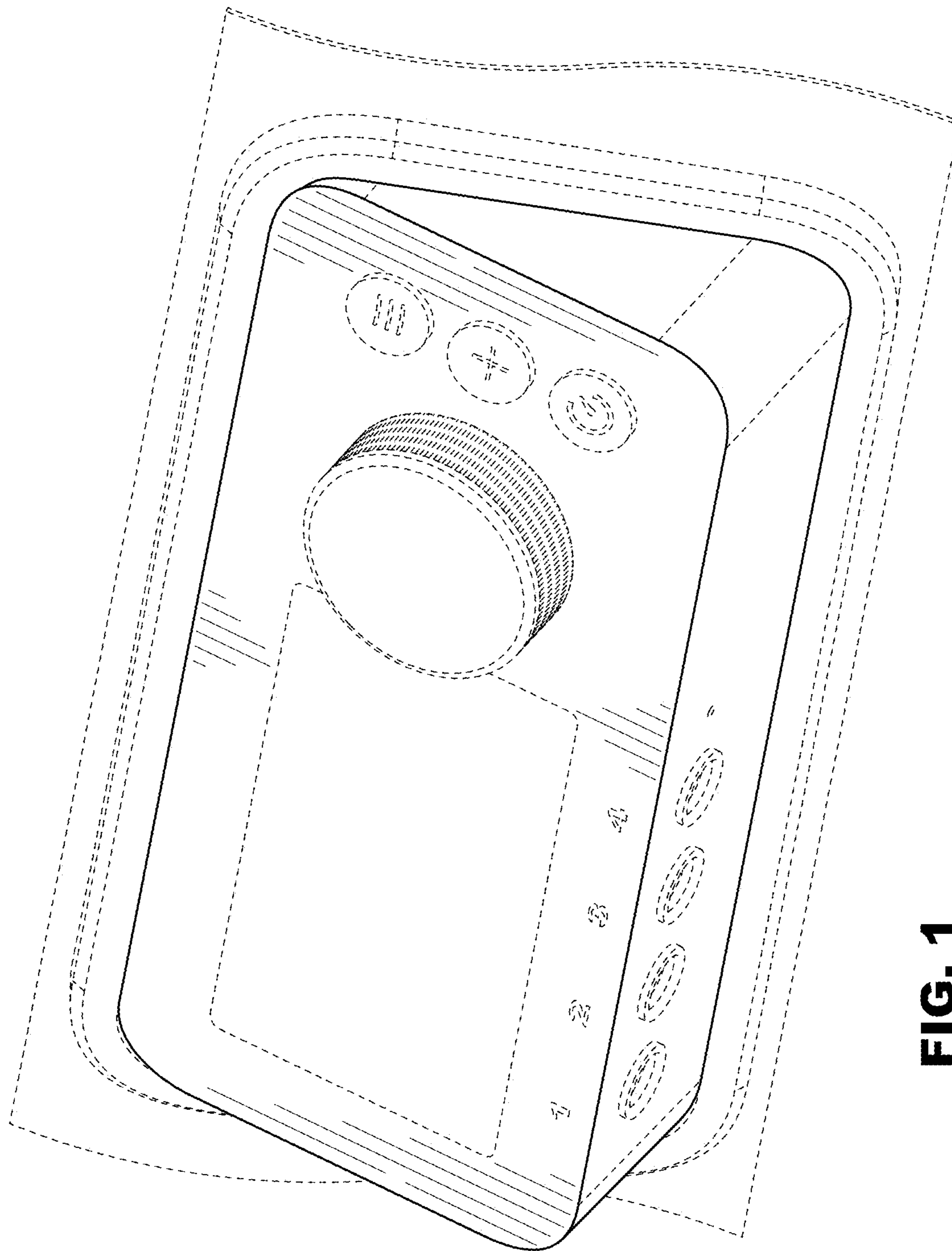


FIG. 1

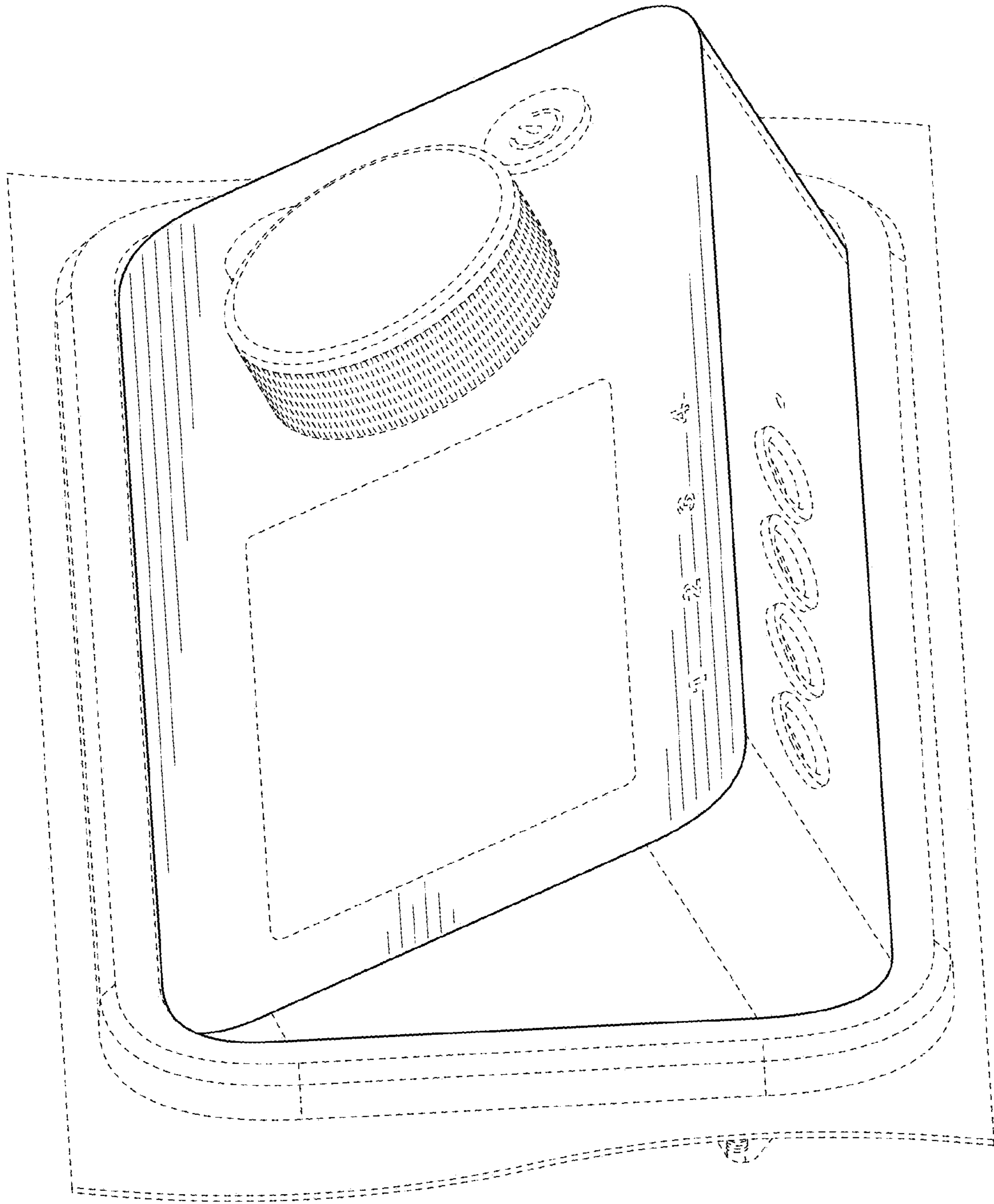


FIG. 2

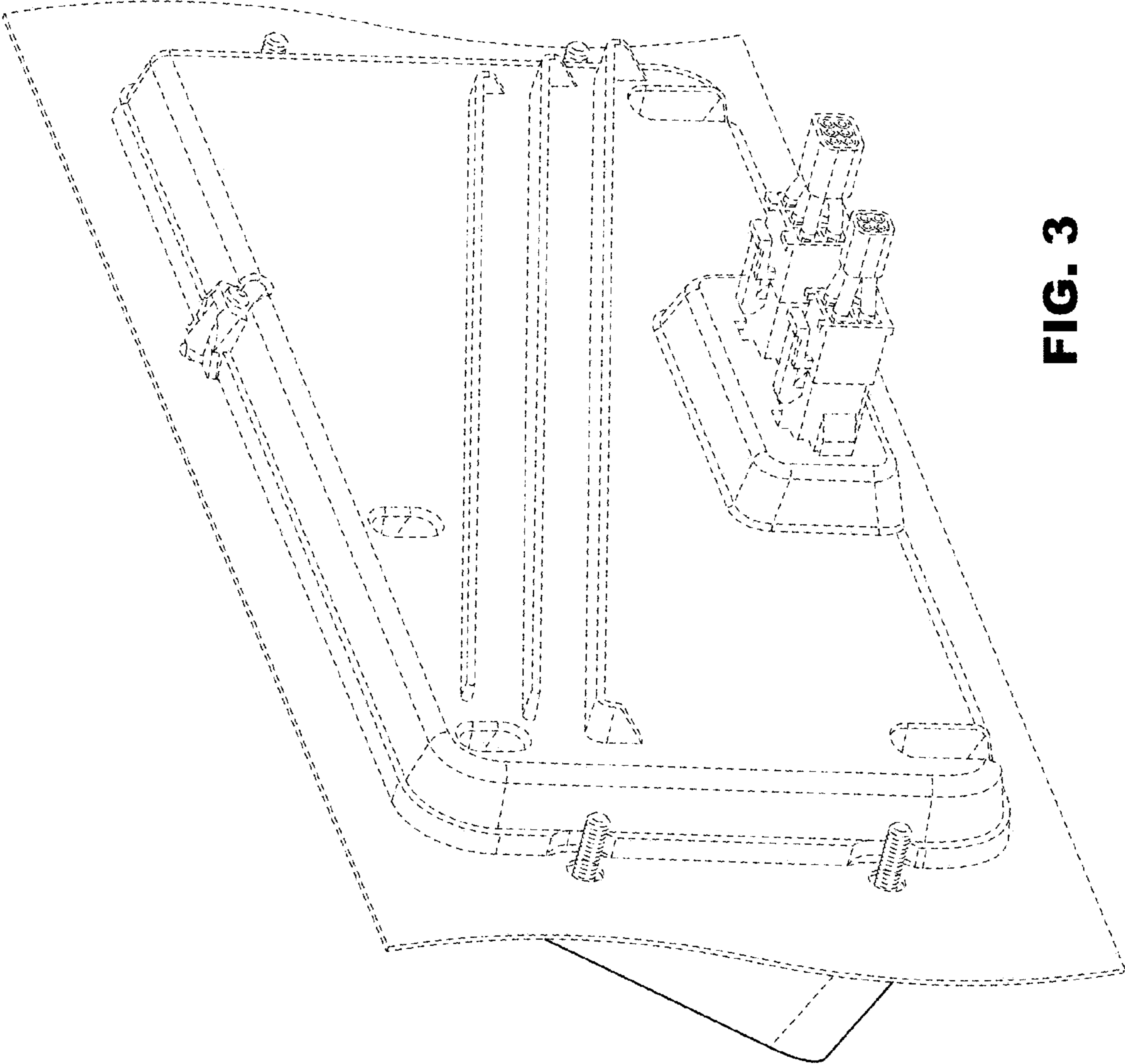


FIG. 3

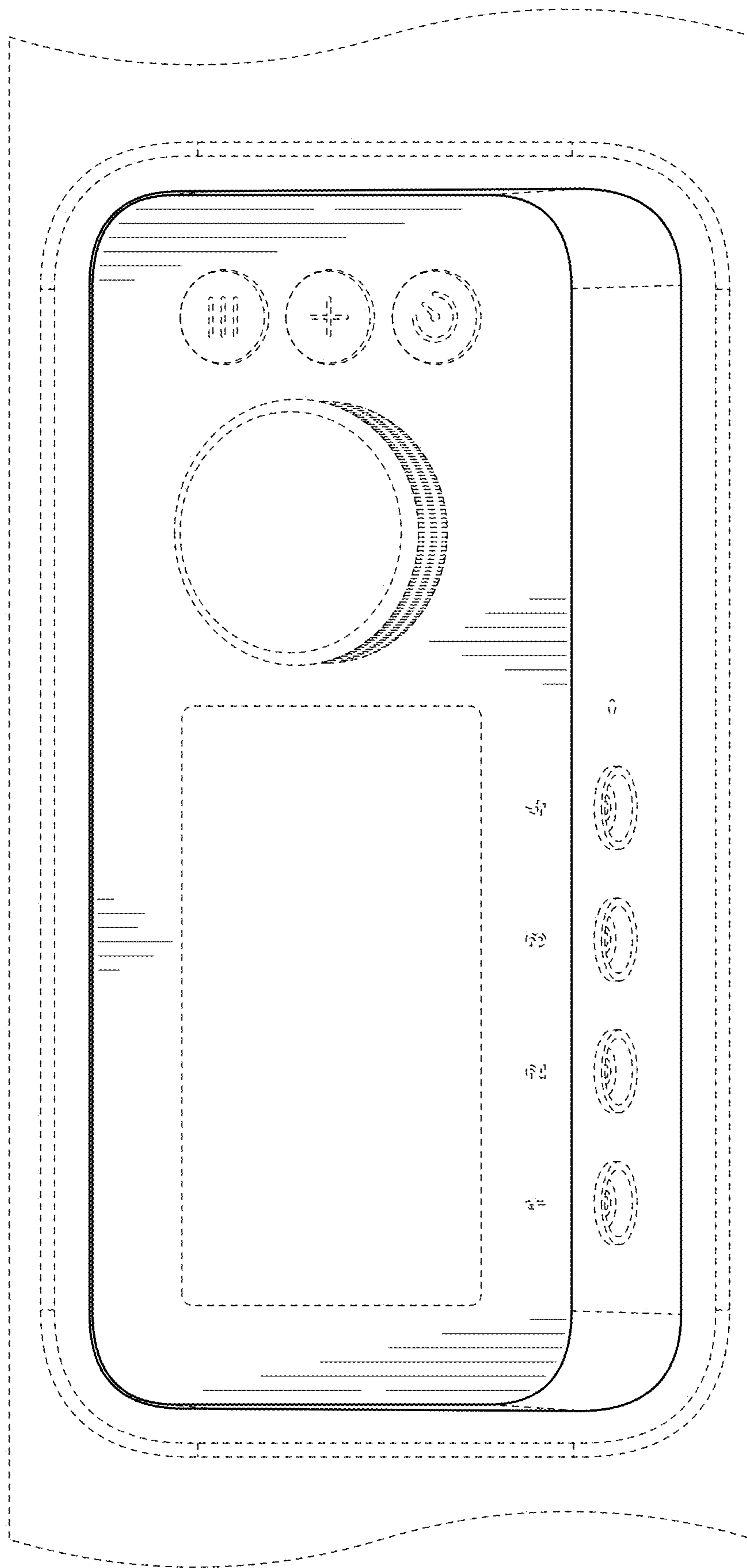


FIG. 4

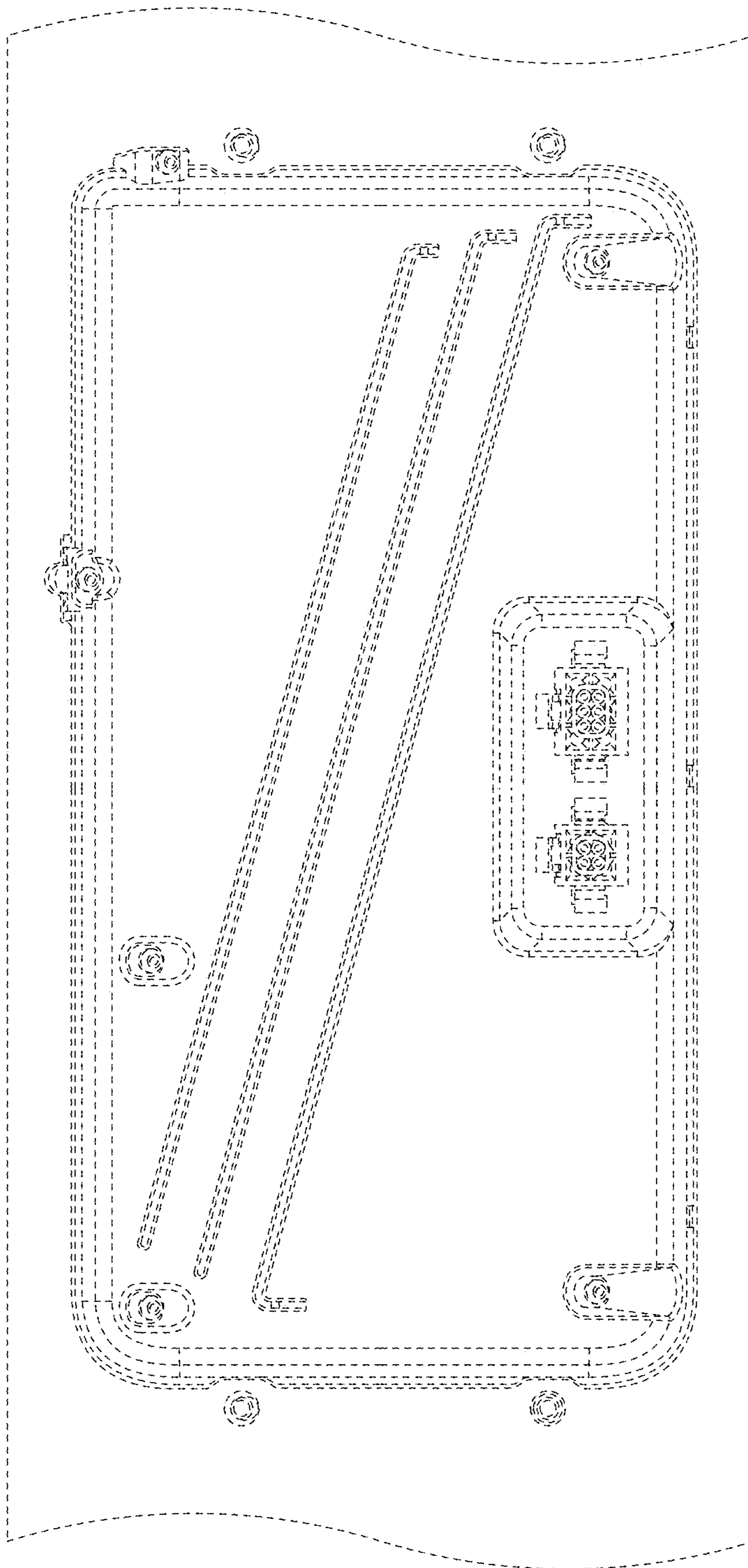


FIG. 5

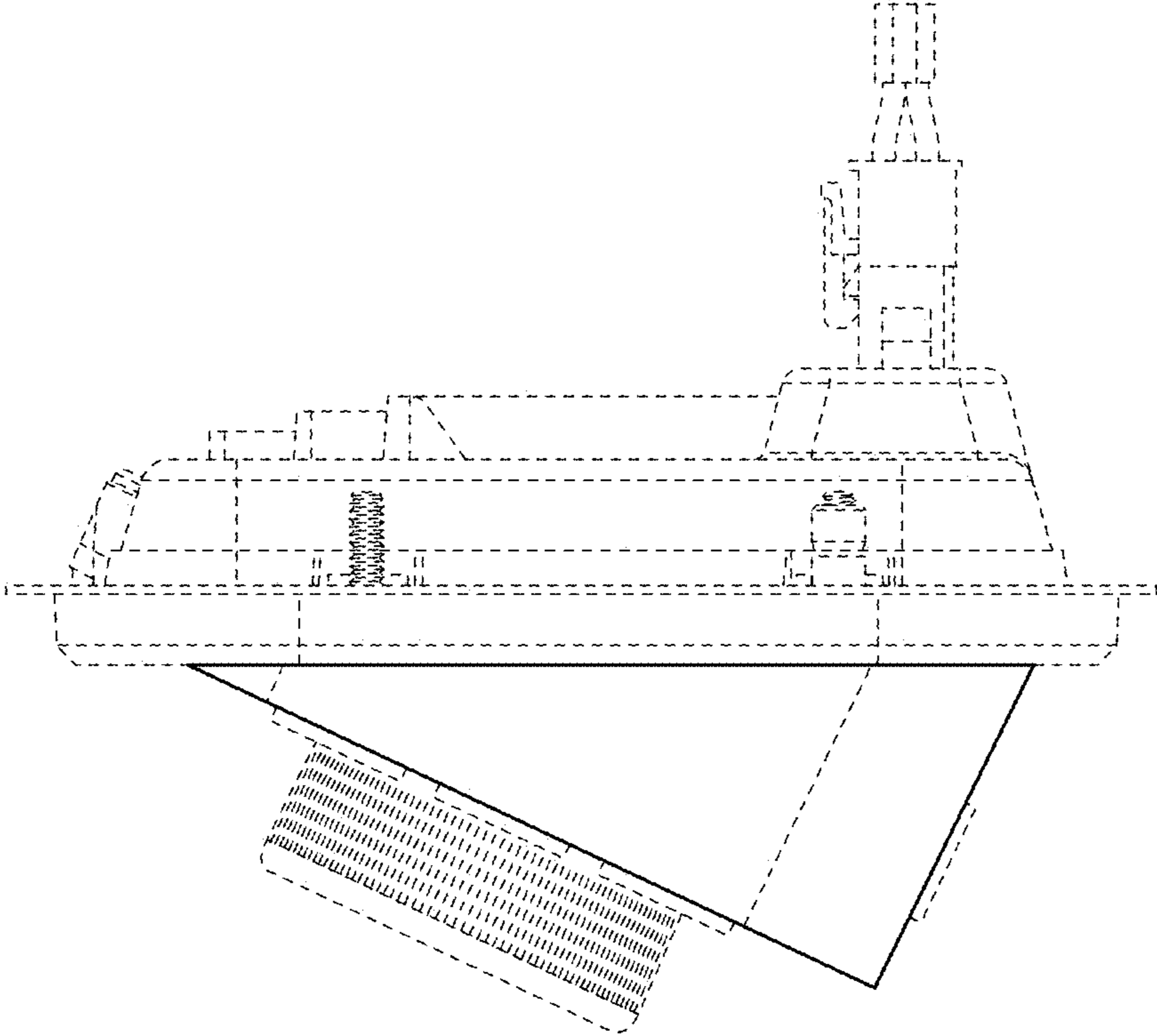


FIG. 6

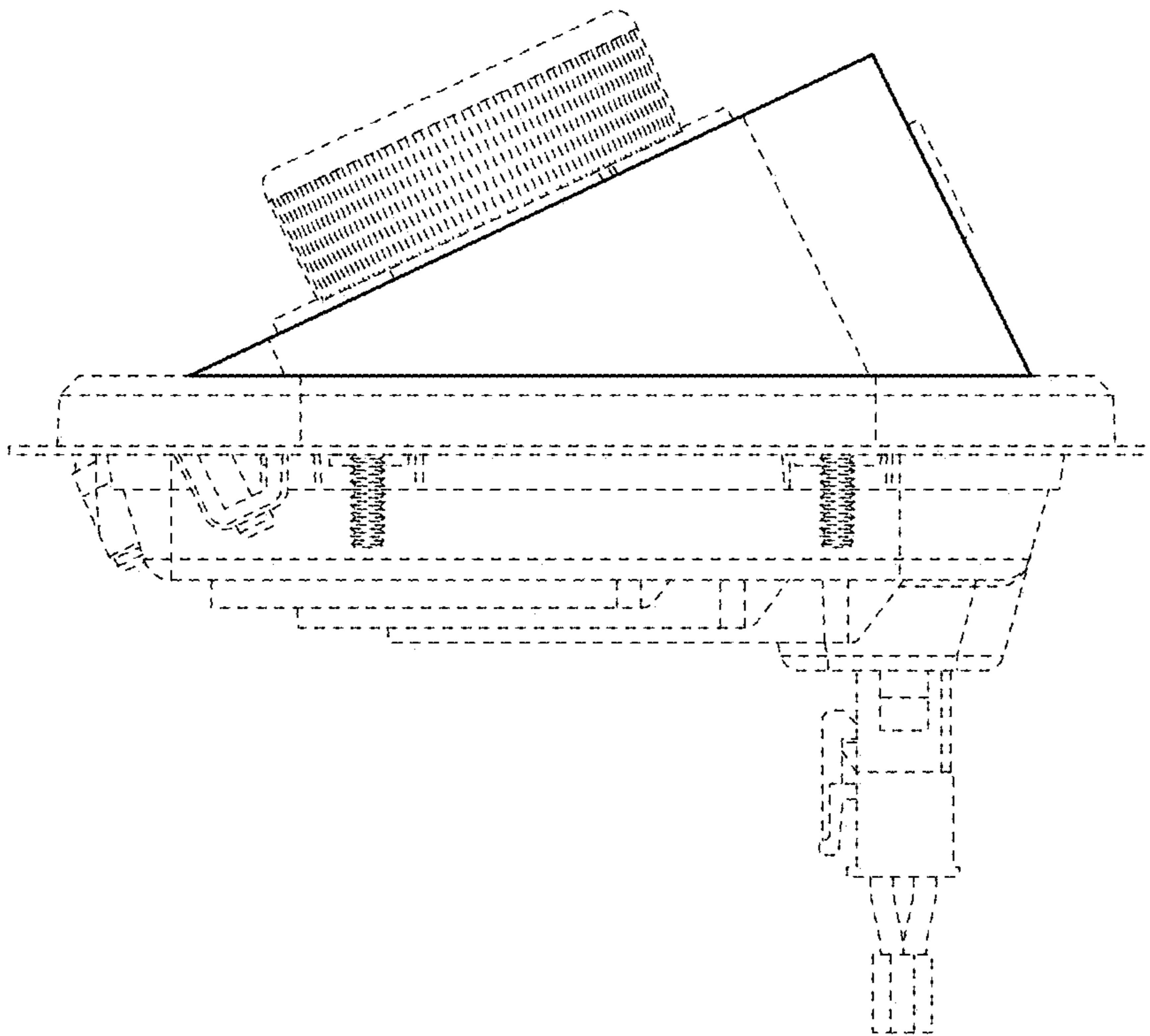


FIG. 7

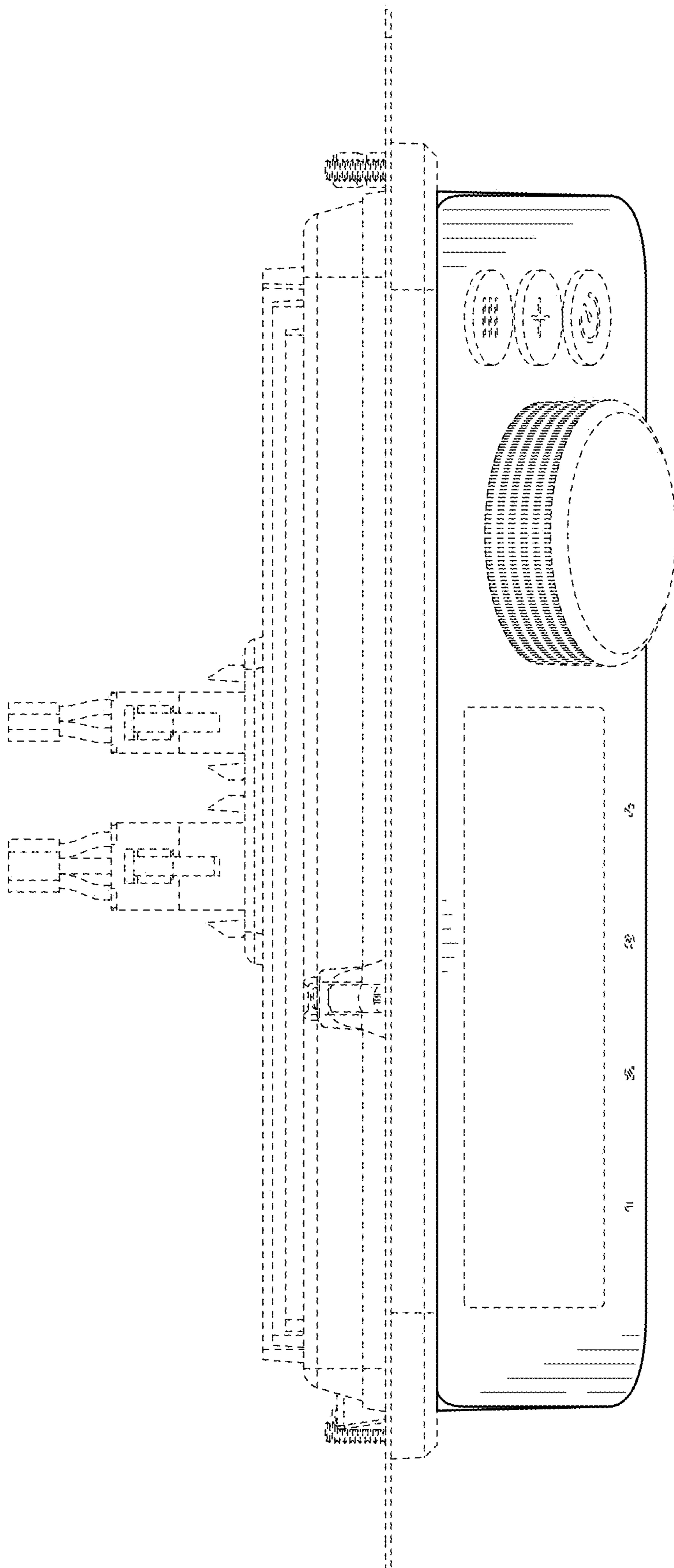


FIG. 8

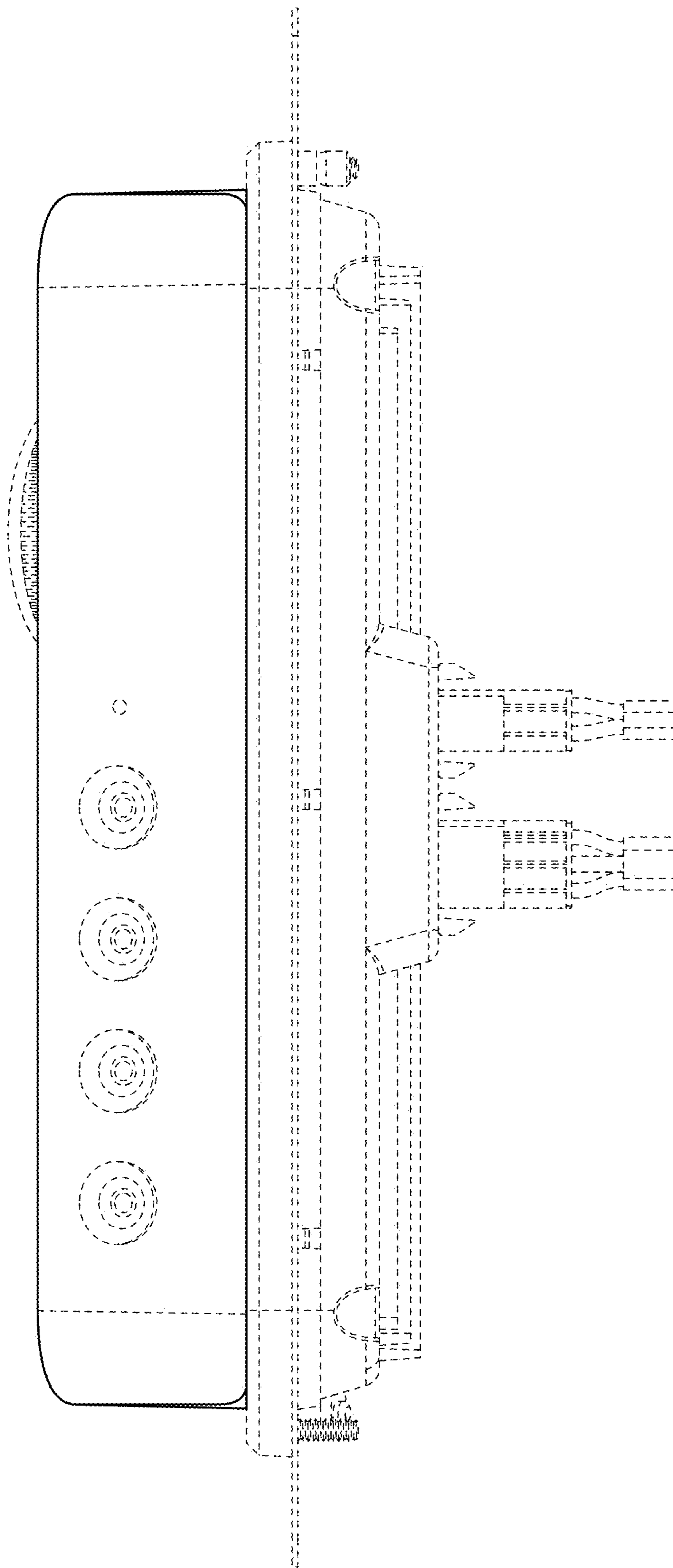


FIG. 9