



US00D914443S

(12) **United States Design Patent**  
**Spurrier et al.**

(10) **Patent No.:** **US D914,443 S**  
(45) **Date of Patent:** **\*\* Mar. 30, 2021**

(54) **OVEN DOOR**

(71) Applicant: **Electrolux Home Products, Inc.**,  
Charlotte, NC (US)

(72) Inventors: **Alexander Paul Spurrier**, Charlotte,  
NC (US); **Christopher Shaw Burch**,  
Portland, OR (US)

(73) Assignee: **Electrolux Home Products, Inc.**,  
Charlotte, NC (US)

(\*\*) Term: **15 Years**

(21) Appl. No.: **29/712,735**

(22) Filed: **Nov. 11, 2019**

(51) **LOC (13) Cl.** ..... **07-02**

(52) **U.S. Cl.**  
USPC ..... **D7/405**

(58) **Field of Classification Search**  
USPC ..... D7/332-339, 348, 349, 402, 405;  
D15/91

CPC .... A21B 1/00; A21B 2/00; A21B 3/00; A21B  
5/00; A47J 36/26; A47J 36/28; A47J  
36/30; A47J 36/32; A47J 37/00; A47J  
37/06; A47J 37/07; F24B 1/00; F24B  
3/00; F24B 5/00; F24B 9/00; F24B  
13/00; F24B 15/00; F24C 1/00; F24C  
3/00; F24C 5/00; F24C 7/00; F24C 9/00;  
F24C 11/00; F24C 13/00; F24C 14/00;  
F24C 15/00

See application file for complete search history.

(56) **References Cited**

**U.S. PATENT DOCUMENTS**

D560,958 S \* 2/2008 Shin ..... D7/348  
D572,527 S \* 7/2008 Crookshanks ..... D7/405  
D592,009 S \* 5/2009 Crookshanks ..... D7/405  
D611,294 S \* 3/2010 Busalt ..... D7/349  
D626,782 S \* 11/2010 Busalt ..... D7/349  
D633,336 S \* 3/2011 Sadtler ..... D7/405

D651,460 S \* 1/2012 Sadtler ..... D7/405  
D654,314 S \* 2/2012 Benold ..... D7/405  
D668,106 S \* 10/2012 Borjesson ..... D7/405  
D678,721 S \* 3/2013 Roberson ..... D7/405  
D696,069 S \* 12/2013 Roberson ..... D7/405

(Continued)

**OTHER PUBLICATIONS**

Reg. No. 136725, Aug. 16, 2010—Canada Intellectual Property  
Office (CIPO) Publication Date—Aug. 31, 2011 Owner—  
Electrolux Home Products Corporation Canadian Industrial Designs  
Database, available at [https://www.canada.ca/en/services/business/  
ip/databases.html](https://www.canada.ca/en/services/business/ip/databases.html) (Year: 2011).\*

(Continued)

*Primary Examiner* — Mary Ann Calabrese

*Assistant Examiner* — Natalya M Rapundalo

(74) *Attorney, Agent, or Firm* — Banner & Witcoff, Ltd.

(57) **CLAIM**

The ornamental design for an oven door, as shown and  
described.

**DESCRIPTION**

FIG. 1 is a front perspective view of an oven door showing  
our new design;

FIG. 2 is a front view thereof;

FIG. 3 is a right side view thereof;

FIG. 4 is a left side view thereof;

FIG. 5 is a top view thereof;

FIG. 6 is a front perspective view of an alternative embodi-  
ment of the oven door showing our new design;

FIG. 7 is a front view thereof;

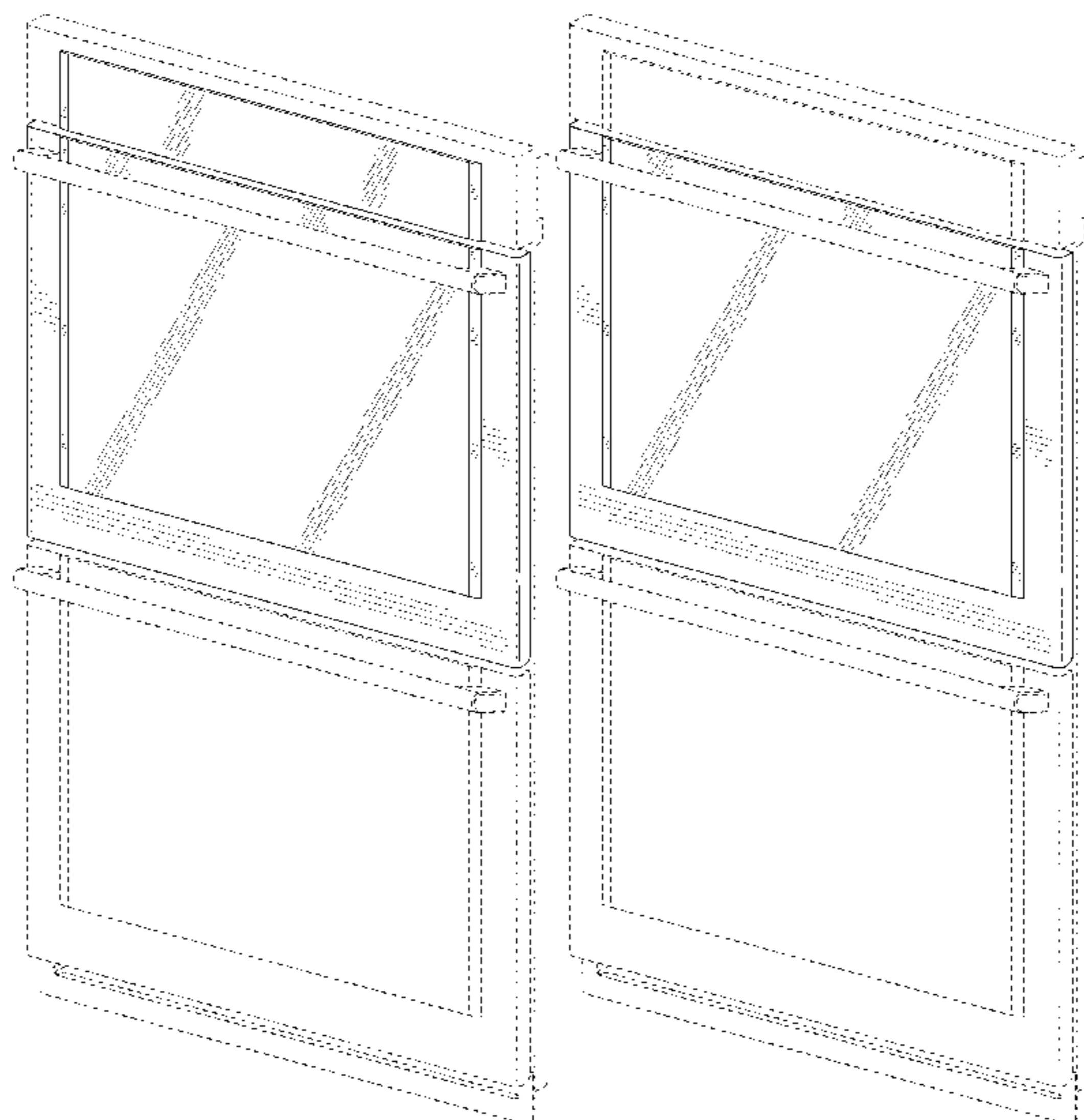
FIG. 8 is a right side view thereof;

FIG. 9 is a left side view thereof; and,

FIG. 10 is a top view thereof.

The broken lines depicting the handles and the remainder of  
the oven door represent features which form no part of the  
claimed design.

**1 Claim, 8 Drawing Sheets**



(56)

**References Cited**

U.S. PATENT DOCUMENTS

D773,892	S	*	12/2016	Miron	.....	D7/405
D805,831	S	*	12/2017	Sadtler	.....	D7/309
10,105,006	B2	*	10/2018	Alexander	.....	F24C 15/04
D835,450	S	*	12/2018	Prentice	.....	F24C 7/081
						D7/348
D838,133	S	*	1/2019	Fuller	.....	A47L 15/4272
						D7/339
D852,580	S	*	7/2019	Kim	.....	D7/405
D853,188	S	*	7/2019	Kim	.....	D7/405
D859,072	S	*	9/2019	Nilssen	.....	D7/405
D863,883	S	*	10/2019	Nilssen	.....	F24C 15/04
						D7/405
D865,429	S	*	11/2019	Kim	.....	D7/349
D871,135	S	*	12/2019	Sadtler	.....	D7/399
D872,529	S	*	1/2020	Yoon	.....	D7/405
2016/0230919	A1	*	8/2016	Gandole	.....	A47L 15/4272
2018/0058702	A1	*	3/2018	Jang	.....	F24C 7/081
2020/0003427	A1	*	1/2020	Bruin-Slot	.....	F24C 15/006

OTHER PUBLICATIONS

Reg. No. D1425853, Aug. 13, 2010—Japanese Patent Office Publication Date—Oct. 24, 2011 Owner—Electrolux Home Products Corporation, Designer—Frank Benoruto Japan Platform for Patent Information, available at <https://www.j-platpat.inpit.go.jp/> (Year: 2011).\*

Reg. No. 143748, Dec. 29, 2011—Canada Intellectual Property Office (CIPO) Publication Date—Aug. 3, 2012 Owner—Electrolux Home Products Corporation Canadian Industrial Designs Database, available at <https://www.canada.ca/en/services/business/ip/databases.html> (Year: 2012).\*

Reg. No. 00084830, Dec. 28, 2011—Federal Institute of Industrial Property Publication Date—Apr. 16, 2013 Owner—Electrolux Home Products Corporation, Designer—Berzhesson Peer Database of Industrial Design (RUDE), available at <https://new.fips.ru/en/> (Year: 2013).\*

Reg. No. 3007345210000, May 13, 2013—Korean Intellectual Property Office Publication Date—Mar. 18, 2014 Owner—Electrolux Home Products Corporation, Designer—Pere Ball Yeson KIPRIS, available at <http://eng.kipris.or.kr/enghome/main.jsp> (Year: 2014).\*

Miele M Series H6780BP, first available 2015, Yale Appliance [online], [site visited Nov. 12, 2020], Available from internet URL: <https://blog.yaleappliance.com/miele-m-series-wall-oven-vs-viking-french-door-wall-oven> (Year: 2015).\*

Wolf 30 E Series Built-In Double Oven DO30TMSTH Features, first available Feb. 11, 2015, You Tube [online], [site visited Nov. 17, 2020], Available from internet URL: <https://www.youtube.com/watch?v=5atsozZYGhM> (Year: 2015).\*

Electrolux Single Wall Oven—EI30EW38TS, first available Jul. 2017, U.S. Appliance [online], [site visited Nov. 12, 2020], Available from internet URL: [https://www.us-appliance.com/ei30ew38ts.html?gclid=EAlaIQobChM165vEkfX97A1V78uGCh0B-g2PEAYYAyABEgK\\_I\\_D\\_BwE](https://www.us-appliance.com/ei30ew38ts.html?gclid=EAlaIQobChM165vEkfX97A1V78uGCh0B-g2PEAYYAyABEgK_I_D_BwE) (Year: 2017).\*

30" Electric Double Wall Oven with IQ-Touch Controls—EI30EW48TS, Electrolux Appliances [online], [site visited Nov. 12, 2020], Available from internet URL: <https://www.electroluxappliances.com/Kitchen-Appliances/Wall-Ovens/Double-Wall-Oven/EI30EW48TS/> (Year: 2020).\*

Wolf 30 M Series Transitional Built-In Double Oven, Wolf.com [online], [site visited Nov. 17, 2020], Available from internet URL: <https://www.subzero-wolf.com/wolf/ovens/m-series/30-inch-m-series-transitional-built-in-double-oven> (Year: 2020).\*

\* cited by examiner

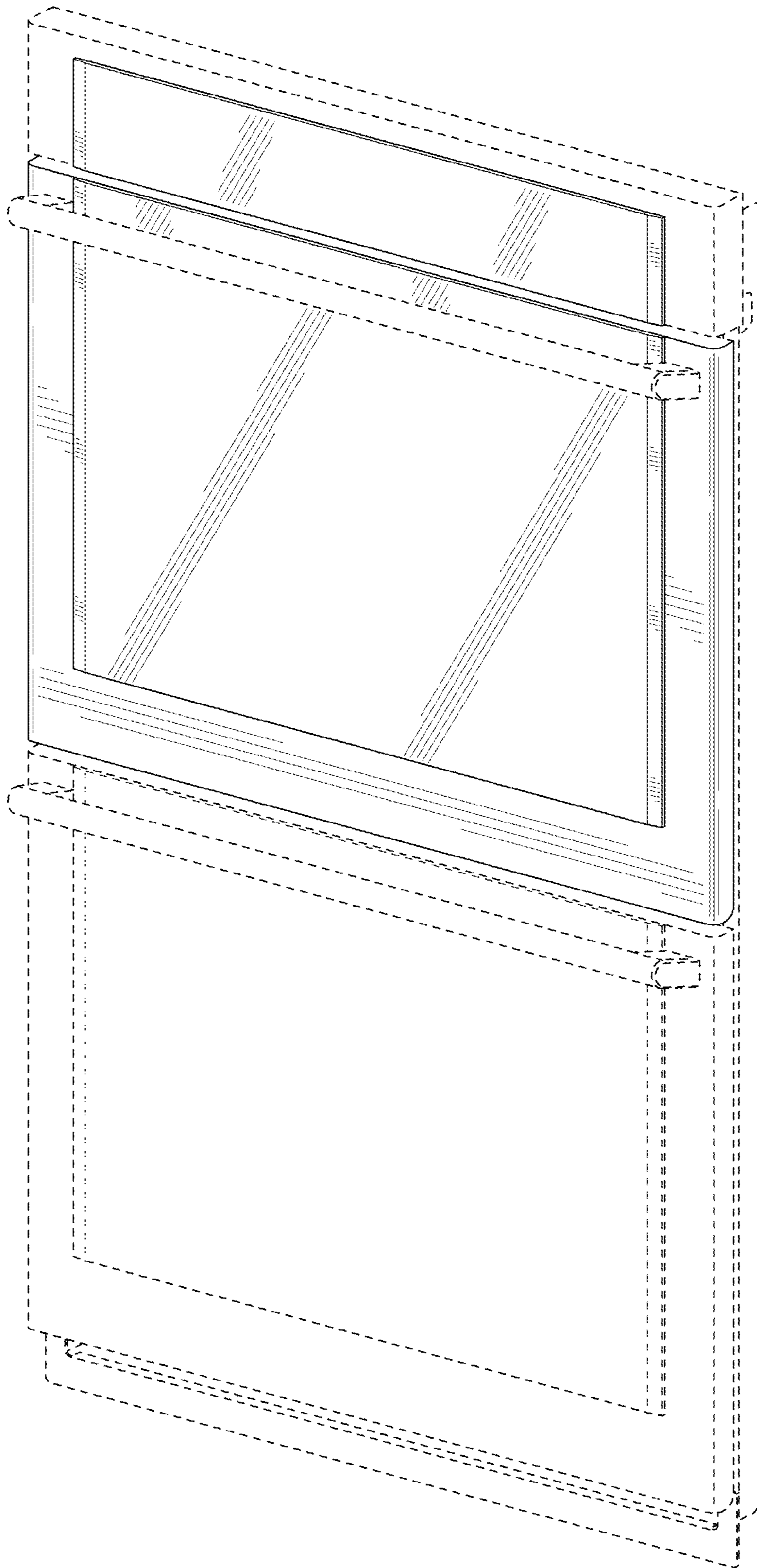


FIG. 1



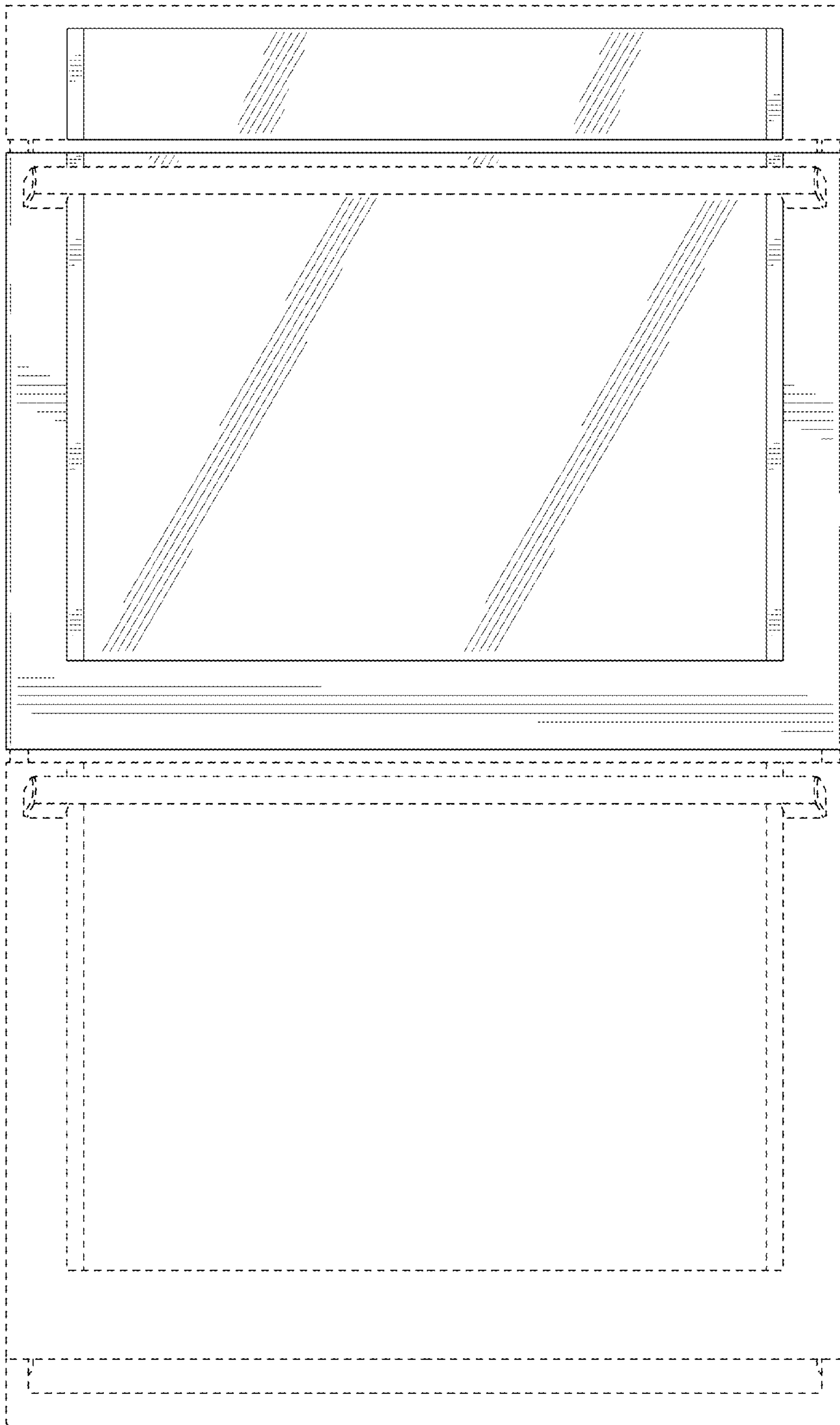


FIG. 2

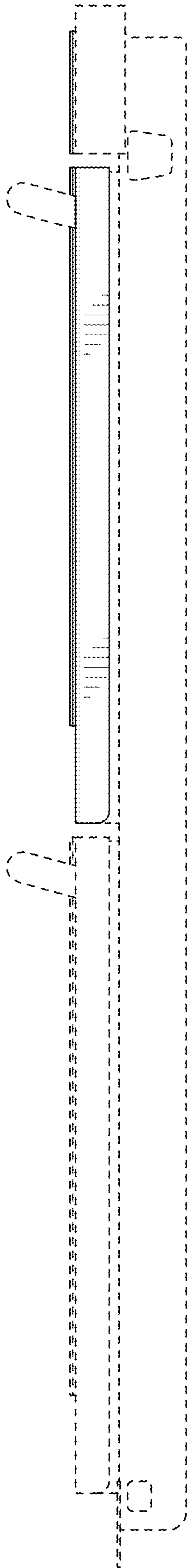


FIG. 3

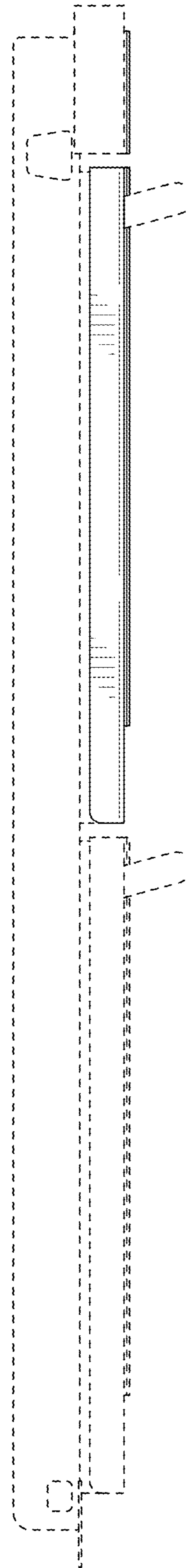


FIG. 4

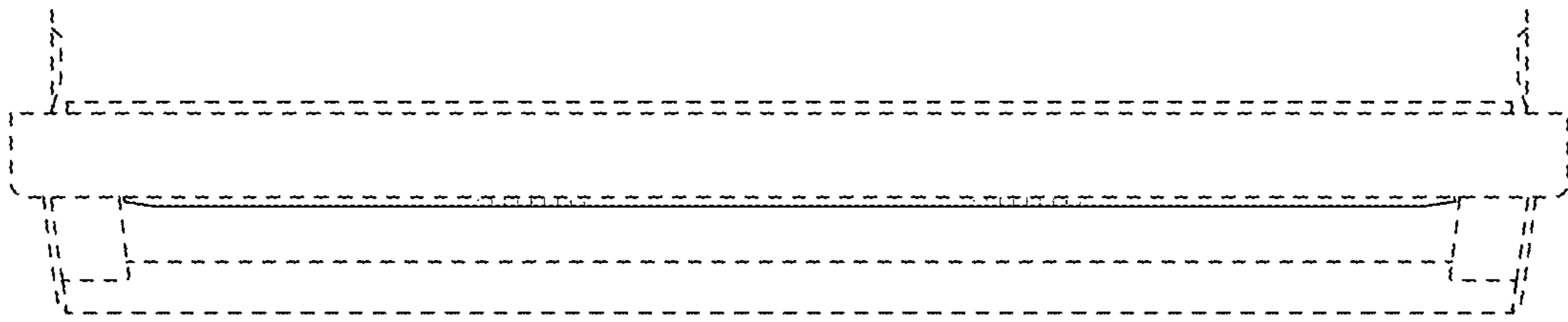


FIG. 5

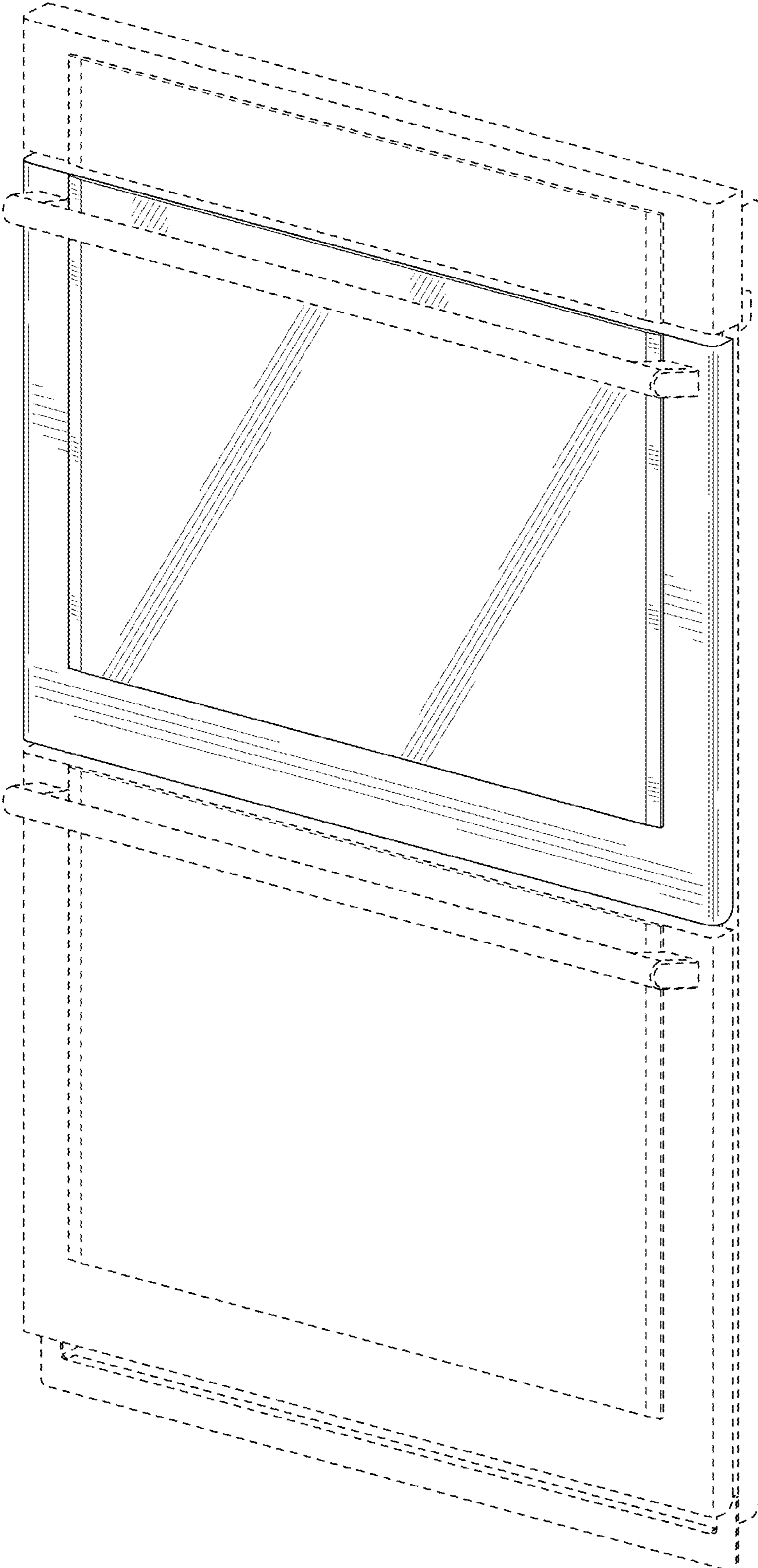


FIG 6

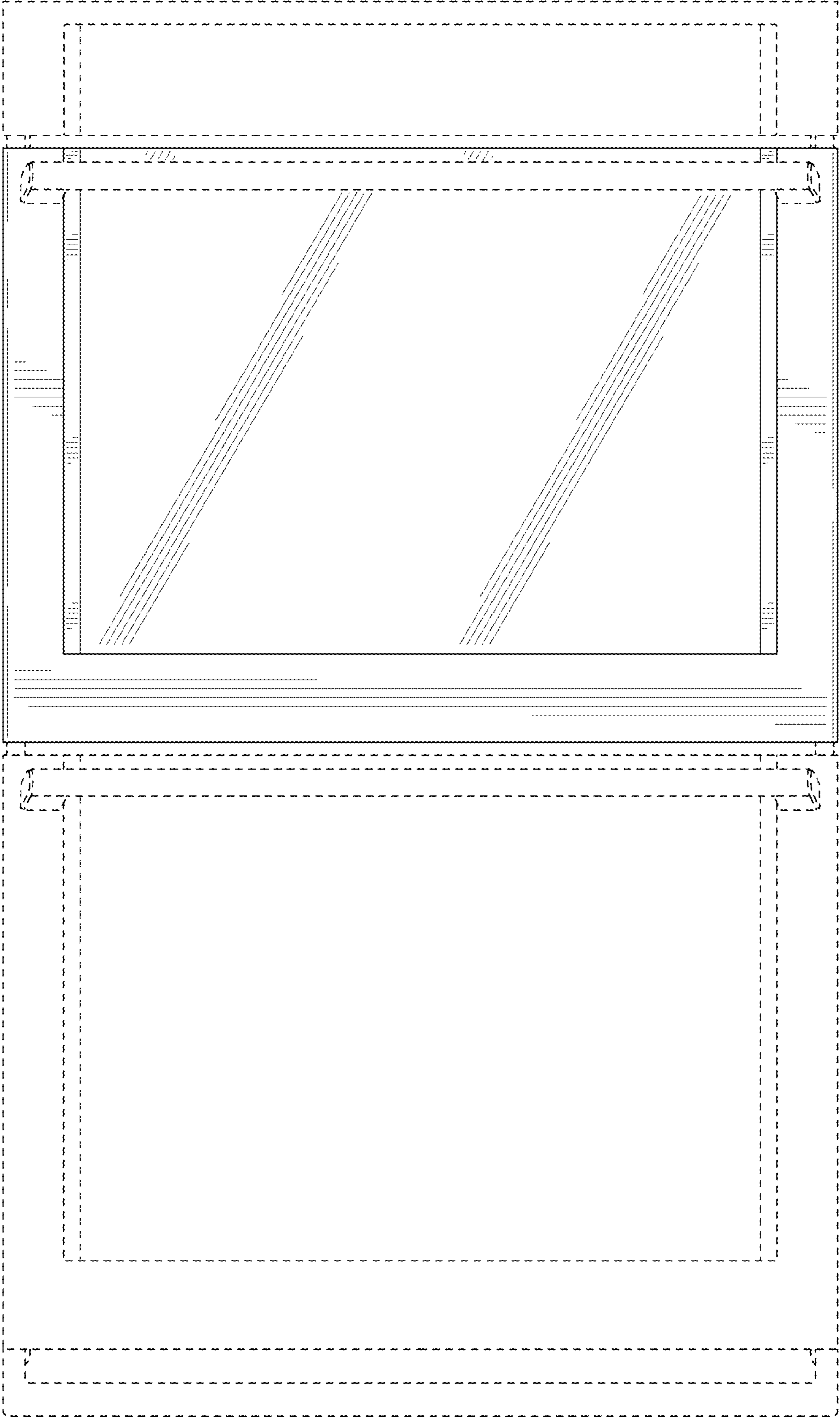


FIG. 7



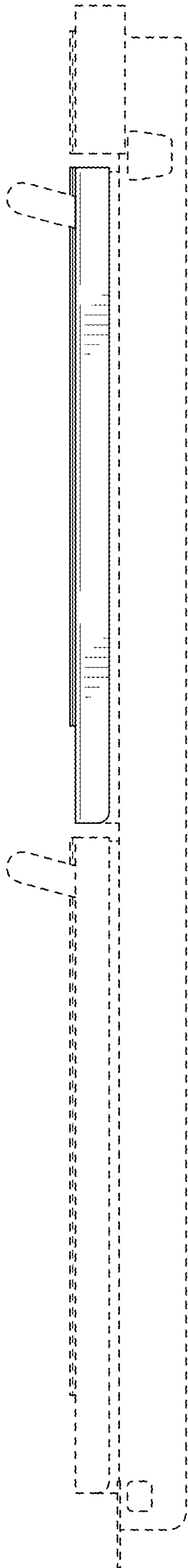


FIG 8

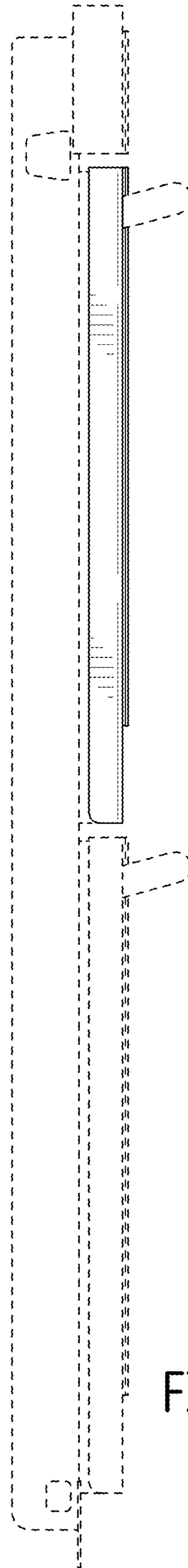


FIG. 9

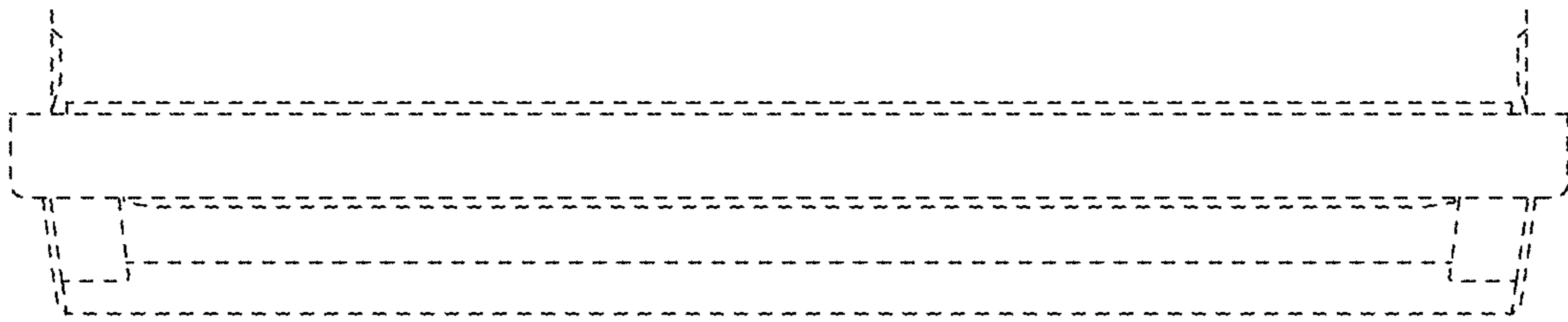


FIG 10